
Installation Instructions Undercounter Dishwasher

Instructions d'installation Lave-vaisselle encastré

Table of Contents.....	2
Table des matières.....	20

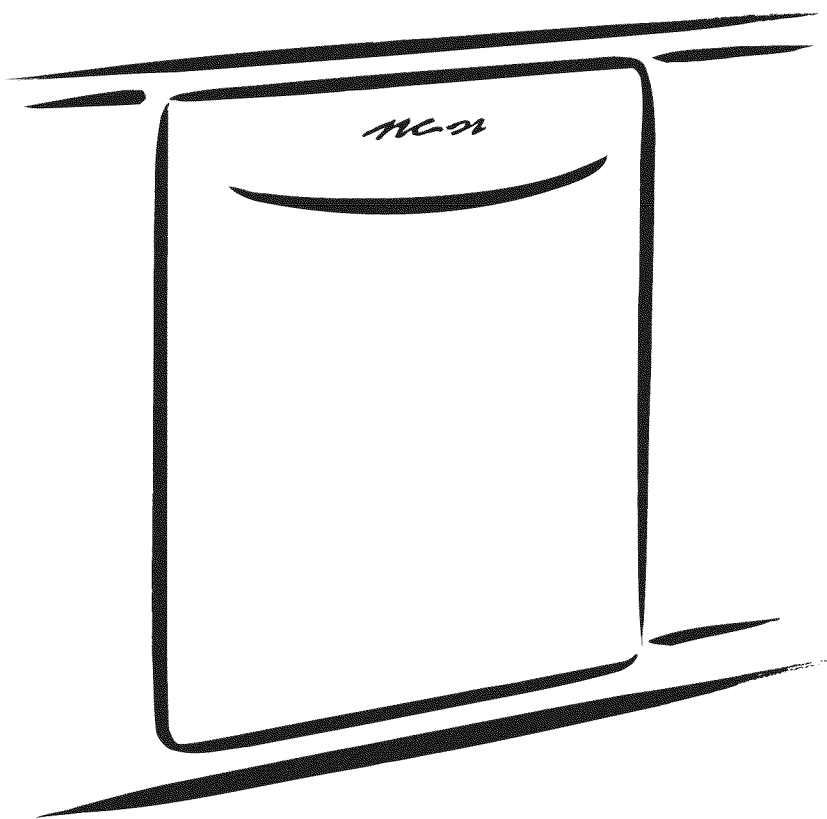


Table of Contents

Dishwasher Safety	2
Installation Requirements	3
Tools and parts	3
Location Requirements	3
Drain Requirements	5
Water Supply Requirements	5
Electrical Requirements	5

Installation Instructions	6
Prepare cabinet opening using existing utility hookups	6
Prepare cabinet opening where there are no existing utility hookups	7
Install moisture barrier	9
Prepare dishwasher	10
Make electrical connection	16
Connect to water supply	17
Connect to drain	18
Secure dishwasher in cabinet opening	18

Dishwasher Safety

Your safety and the safety of others are very important.

We have provided many important safety messages in this manual and on your appliance. Always read and obey all safety messages.



This is the safety alert symbol.

This symbol alerts you to potential hazards that can kill or hurt you and others.

All safety messages will follow the safety alert symbol and either the word "DANGER" or "WARNING."

These words mean:

⚠ DANGER

You can be killed or seriously injured if you don't immediately follow instructions.

⚠ WARNING

You can be killed or seriously injured if you don't follow instructions.

All safety messages will tell you what the potential hazard is, tell you how to reduce the chance of injury, and tell you what can happen if the instructions are not followed.

⚠ WARNING



Tip Over Hazard

Do not use dishwasher until completely installed.

Do not push down on open door.

Doing so can result in serious injury or cuts.

You need to:

- Slowly open dishwasher door while someone grasps the rear of the dishwasher. Remove shipping materials, drain hose and lower rack. Close dishwasher door until latched.
- Observe all governing codes and ordinances.
- Install this dishwasher as specified in these instructions.
- Installation should be performed by a qualified service technician. The dishwasher must be installed to meet all electrical and plumbing national and local codes and ordinances.

Installation Requirements

Tools and Parts

Gather the required tools and parts before starting installation.

All installations

Tools needed:

- pliers
- Phillips screwdriver
- 5/16" and 1/4" nut drivers or hex sockets
- measuring tape or ruler
- 10" adjustable wrench that opens to 1-1/8" (2.9 cm)
- flat-blade screwdriver
- utility knife
- 2 twist-on wire connectors which are the proper size to connect your household wiring to 16-gauge wiring in dishwasher
- small level
- TORX® T15 screwdriver (if installing custom front panels)

- flashlight
- shallow pan
- 5/8" open-end wrench
- bath towel
- wood block

Parts needed:

- 90° elbow with 3/8" N.P.T. external threads on one end. (The other end must fit your water supply line.)
- Teflon® tape or pipe joint compound
- shims (if installed with built-up floor)
- 4 #10 x 1/2" wood screws (if installing custom front panels)

In addition, for new installations

Tools needed:

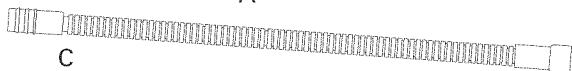
- electric drill with 1/2", 3/4" and 1-1/2" hole saw bits
- small tubing cutter
- wire stripper
- 1-1/2"-2" screw-type clamp if connecting to waste-tee

Parts needed:

- copper tubing (3/8" recommended) or flexible stainless steel braided fill line
- clamp connector or conduit connector to fit a 7/8" (2.2 cm) diameter hole

Parts supplied

- A. 2 – drain hose clamps, 1 large and 1 small
- B. 2 – # 10 x 1/2" Phillips-head screws
- C. drain hose



Additional parts supplied with top-venting models only

- D. 2 #8 x 1-3/8" TORX® T15 screws
- E. 4 #10 x 3/8" hex-head screws

Additional part supplied with certain models

- F. Bottom sound pad (located in lower rack)
- G. Moisture barrier tape

Make sure all these parts are included. If not included, call 1-800-422-1230.

See separate parts list for accessories available for your dishwasher.

® Teflon is a registered trademark of E.I. Du Pont de Nemours and Company.

® Registered trademark of TEXTRON.

Location Requirements

Do not run drain lines, water lines or electrical wiring where they can interfere with or contact dishwasher motor or legs.

The location where the dishwasher will be installed must provide clearance between motor and flooring. Motor should not touch the floor.

Do not install dishwasher over carpeted flooring.

Protect dishwasher and water lines leading to dishwasher against freezing. Damage from freezing is not covered by the warranty.

A side panel kit is available from your dealer for installing your dishwasher at the end of your cabinetry.

A moisture barrier accessory (Part No. 4396277) is available from your dealer for installing underneath the countertop, but is not required. This may also be obtained by calling 1-800-422-1230.

Check location where dishwasher will be installed. The location must provide:

- easy access to water, electricity and drain.
- convenient access for loading and unloading dishes. Corner locations require a 2" (5.1 cm) minimum clearance between the side of the dishwasher door and the wall or cabinet.
- square opening for proper operation and appearance.
- cabinet front perpendicular to floor.
- level floor. (If floor at front of opening is not level with floor at rear of opening, shims may be needed to level dishwasher.)

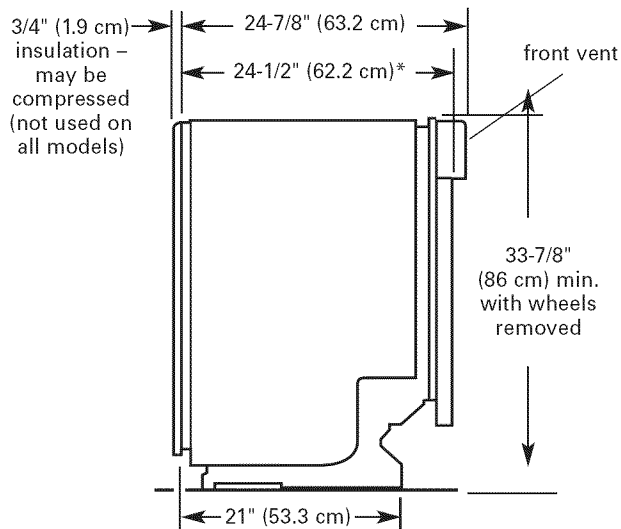
NOTE: To prevent shifting during dishwasher operation, shims must be securely attached to the floor.

If dishwasher will be left unused for a period of time or in a location where it may be subject to freezing, have it winterized by authorized service personnel.

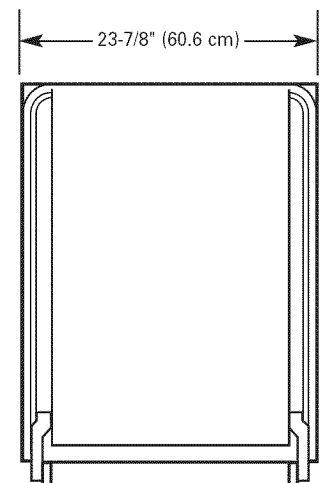
Make sure pipes, wires and drain hose are within the shaded area shown in the "Cutout dimensions" section.

Helpful Tip: If the floor in the dishwasher opening is uneven (example: tile flooring only partway into opening) you will need to take special care in measuring dimensions and in leveling dishwasher.

Product dimensions

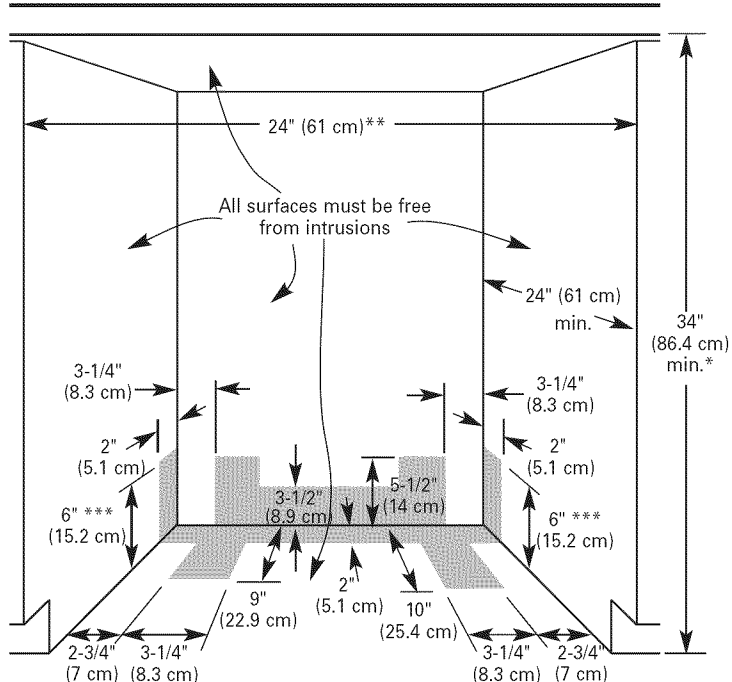


SIDE VIEW



REAR VIEW

Cutout dimensions



Cut holes in shaded area of cabinet walls or floor as specified below:

- water line – 1/2" (1.3 cm)
- drain line – 1-1/2" (3.8 cm)
- direct wire – 3/4" (1.9 cm)
- power supply cord – 1-1/2" (3.8 cm)

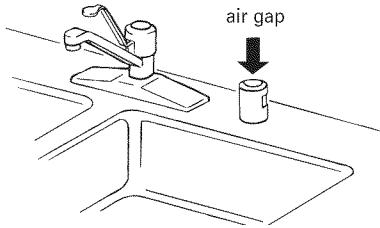
* Measured from the lowest point on the underside of countertop. May be reduced to 33-7/8" (86 cm) by removing wheels from dishwasher.

** Minimum, measured from narrowest point of opening.

*** May be increased to 6-5/8" (16.6 cm) if height of opening is 34-1/2" (87.6 cm) at its lowest point.

Drain Requirements

- Use the new drain hose supplied with your dishwasher. If this is not long enough, use a new drain hose with a maximum length of 12 feet (3.7 m) that meets all current AHAM/IAPMO test standards, is resistant to heat and detergent, and fits the 1" (2.5 cm) drain connector of the dishwasher.
- Connect drain hose to waste tee or disposer inlet above drain trap in house plumbing and 20" (50.8 cm) minimum above the floor. It is recommended that the drain hose either be looped up and securely fastened to the underside of the counter, or be connected to an air gap.



- Use an air gap if the drain hose is connected to house plumbing lower than 20" (50.8 cm) above subfloor or floor.
- Use 1/2" minimum I.D. drain line fittings.

Water Supply Requirements

- A hot water line with 20-120 psi (138-862 kPa) water pressure.
- 120°F (49°C) water at dishwasher.
- 3/8" O.D. copper tubing with compression fitting or flexible stainless steel braided fill line (1/2" minimum plastic tubing is not recommended).
- A 90° elbow with 3/8" N.P.T. external pipe threads on one end.

Do not solder within 6" (15.2 cm) from water inlet valve.

Electrical Requirements

Contact a qualified electrician.

Assure that the electrical installation is adequate and in conformance with all national and local codes and ordinances.

You must have:

- 120-volt, 60 Hz, AC-only, 15 or 20 amp., fused electrical supply.
- Copper wire only.

We recommend:

- A time-delay fuse or circuit breaker.
- A separate circuit.

If direct wiring dishwasher:

- Use flexible, armored or non-metallic sheathed, copper wire with grounding wire that meets the wiring requirements for your home and local codes and ordinances.
- Use strain relief method provided with house wiring junction box or install a U.L.-listed/CSA-certified clamp connector to the house wiring junction box. If using conduit, use a U.L.-listed/CSA-certified conduit connector.

If connecting dishwasher with a power supply cord:

- Use Power Supply Cord Kit (Part No. 4317824) marked for use with dishwashers. Kit contents include:
 - Volex, Inc., UL listed 16 gauge 3 wire power supply cord with 3 prong grounded plug.
 - Neer C-500 7/8 inch strain relief.
 - 3 wire connectors.
 - Part No. 302797 grommet

Follow the kit instructions for installing the power supply cord.

- Power supply cord must plug into a mating three prong, grounded outlet, located in the cabinet next to the dishwasher opening. Outlet must meet all local codes and ordinances.

Installation Instructions

⚠ WARNING



Electrical Shock Hazard

Disconnect electrical power at the fuse box or circuit breaker box before installing dishwasher.

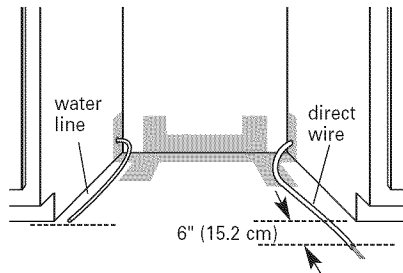
Failure to do so can result in death or electrical shock.

1. Disconnect power.
2. Turn off water supply.

Prepare cabinet opening using existing utility hookups

- Follow the steps in this section if you are installing the dishwasher in an existing cabinet opening with utility hookups.
- If you are installing the dishwasher in a cabinet opening that does not have hookups, follow the steps under "Prepare cabinet opening where there are no existing utility hookups" section.

1. Check that the water line reaches to the front left of opening where the water connection will be made.
2. Check that the direct wire reaches to the front right of opening where the electrical connection will be made.

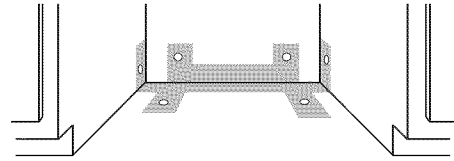


If the water line and the direct wire reach far enough into the opening, proceed to the next section "Install the drain hose." If they do not reach far enough, follow the steps under "Prepare cabinet opening where there are no existing utility hookups."

Install the drain hose

IMPORTANT: Always use a new drain hose even when installing a new replacement dishwasher.

1. Drill a 1-1/2" (3.8 cm) diameter hole in cabinet wall or floor on the side of the opening closest to the sink.



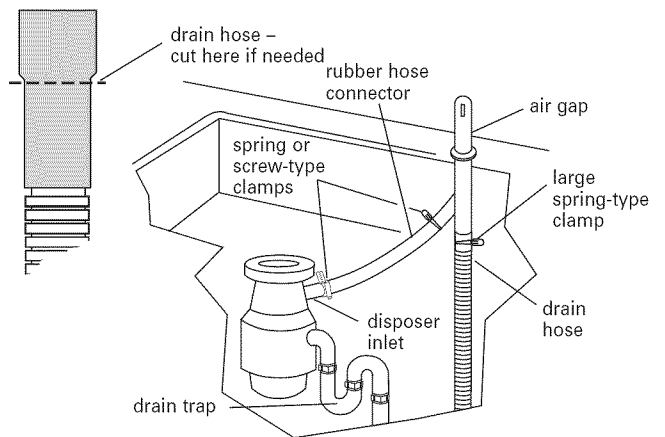
2. Connect drain hose to waste tee or waste disposer using one of the following methods:
 - Option 1, Waste disposer – with air gap
 - Option 2, No waste disposer – with air gap
 - Option 3, Waste disposer – no air gap*
 - Option 4, No waste disposer – no air gap*

*an air gap is recommended

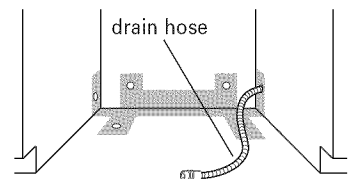
Helpful Tip: To reduce the vibration of the hose, keep the hose away from the floor and the edge of the hole where it passes through the cabinet.

Option 1: Waste disposer – with air gap:

1. Remove the disposer knockout plug. Cut end of drain hose if needed (do not cut ribbed section).
 2. Attach drain hose to air gap with large spring-type clamp. If the drain hose was cut, use a 1-1/2" to 2" (3.8 to 5 cm) screw-type clamp*.
 3. Use a rubber hose connector* with spring or screw-type clamps* to connect air gap to disposer inlet.
- This connection must be before the drain trap and at least 20" (50.8 cm) above the floor where dishwasher will be installed.



4. Insert drain hose through hole cut in cabinet to the front center of opening where drain connection will be made.

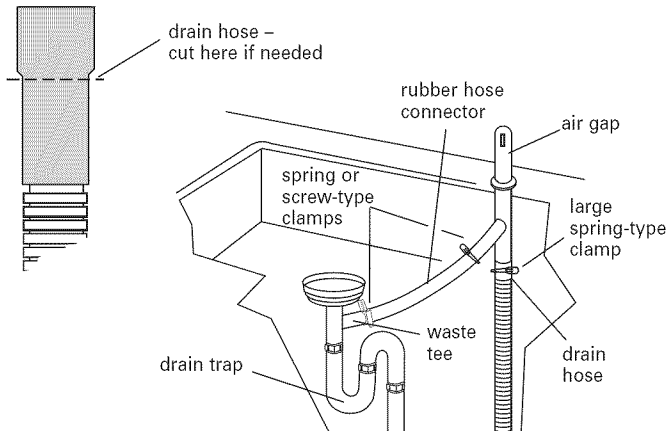


* Parts available from local plumbing supply stores

Option 2: No waste disposer – with air gap:

1. Cut end of drain hose if needed (do not cut ribbed section).
2. Attach drain hose to air gap with large spring-type clamp. If the drain hose was cut, use a 1-1/2" to 2" (3.8 to 5 cm) screw-type clamp*.
3. Use a rubber hose connector* with spring or screw-type clamps* to connect air gap to waste tee.

This connection must be before the drain trap and at least 20" (50.8 cm) above the floor where dishwasher will be installed.



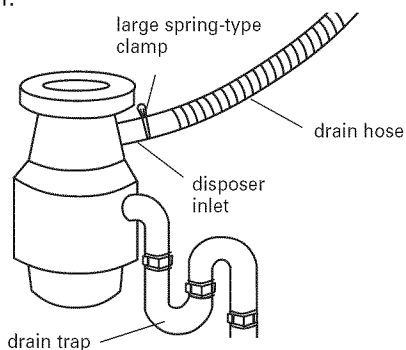
4. Insert drain hose through hole cut in cabinet to the front center of opening where drain connection will be made.

* Parts available from local plumbing supply stores

Option 3: Waste disposer – no air gap:

1. Remove the disposer knockout plug. Do not cut end of drain hose.
2. Attach drain hose to disposer inlet with large spring-type clamp.

This connection must be before the drain trap and at least 20" (50.8 cm) above the floor where dishwasher will be installed. It is recommended that the drain hose be looped up and securely fastened to the underside of the counter.

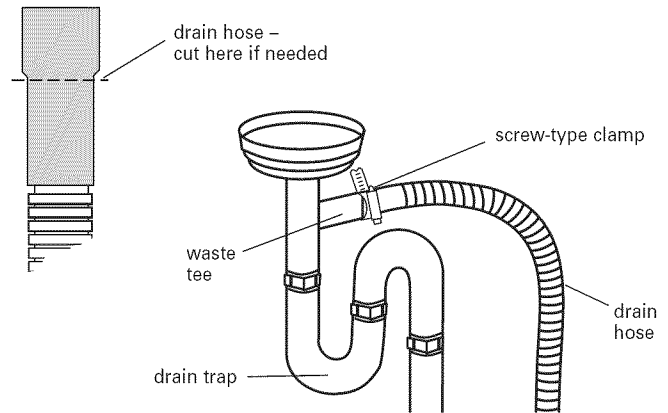


3. Insert drain hose through hole cut in cabinet to the front center of opening where drain connection will be made.

Option 4: No waste disposer – no air gap:

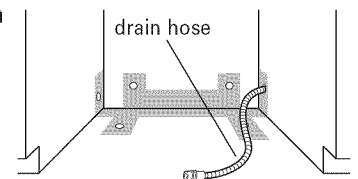
1. Cut end of drain hose if needed (do not cut ribbed section).
2. Attach drain hose to waste tee with 1-1/2" to 2" (3.8 to 5 cm) screw-type clamp*.

This connection must be before the drain trap and at least 20" (50.8 cm) above the floor where dishwasher will be installed. It is recommended that the drain hose be looped up and securely fastened to the underside of the counter.



3. Insert drain hose through hole cut in cabinet to the front center of opening where drain connection will be made.

* Parts available from local plumbing supply stores



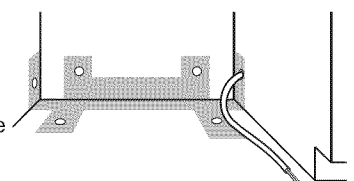
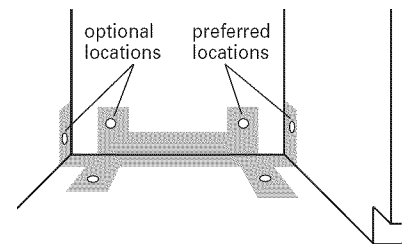
Prepare cabinet opening where there are no existing utility hookups

Electrical connection

Option 1: Direct wire method:

Helpful Tip: Wiring the dishwasher will be easier if you route wire into the cabinet opening from the right side.

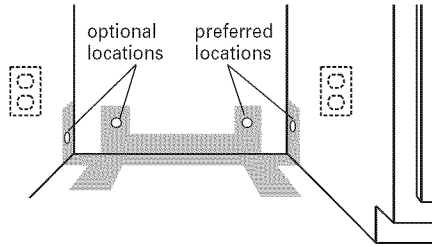
1. Drill a 3/4" (1.9 cm) hole in right-hand cabinet side, rear or floor. Preferred and optional locations are shown.
2. Wood cabinet: Sand hole until smooth.
Metal cabinet: Cover hole with grommet, not provided.
3. Run wire into house wiring junction box.
4. Install a U.L.-listed/CSA-certified clamp connector (strain relief) for flexible-type wire. If installing conduit, attach a U.L.-listed/CSA-certified conduit connector to the junction box.
5. Run other end of wire through cabinet hole. Cable must extend to the right front of cabinet opening.



Option 2: Power supply cord method:

NOTE: A mating, three prong, ground-type wall receptacle is required in a cabinet next to the dishwasher opening.

1. Drill a 1-1/2" (3.8 cm) hole in the cabinet rear or side. Preferred and optional locations are shown.
2. Wood cabinet: Sand hole until smooth.

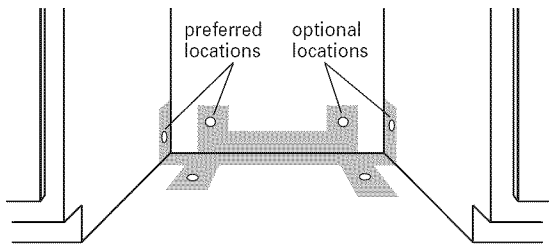


Metal cabinet: Cover hole with grommet (Part No. 302797) included with power supply cord kit.

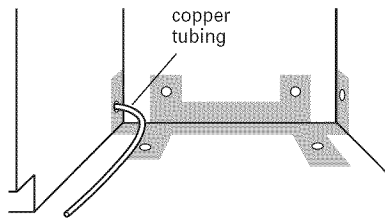
Install the water line

Helpful Tip: Routing the water line through the left side of cabinet opening will make water connection easier.

1. Drill a minimum 1/2" (1.3 cm) hole in the cabinet side, rear or floor. Preferred and optional locations are shown.



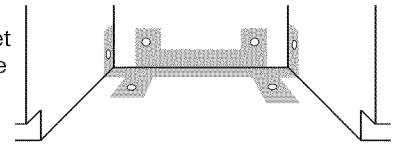
2. Measure overall length of copper tubing required.
3. Attach copper tubing to the water line with a manual shutoff valve.
4. Slowly feed copper tubing through hole in cabinet. Copper tubing will bend and kink easily, so be gentle. The copper tubing should be far enough into the cabinet opening to connect it to dishwasher inlet on the front left of the dishwasher.
5. Turn water shutoff valve to "ON" position. Flush water into a shallow pan to get rid of particles that may clog the inlet valve.
6. Turn shutoff valve to "OFF" position.



Install the drain hose

IMPORTANT: Always use a new drain hose.

1. Drill a 1-1/2" (3.8 cm) diameter hole in cabinet wall or floor on the side of the opening closest to the sink.
2. Connect drain hose to waste tee or waste disposer using one of the following methods:
 - Option 1, Waste disposer – with air gap
 - Option 2, No waste disposer – with air gap
 - Option 3, Waste disposer – no air gap*
 - Option 4, No waste disposer – no air gap*

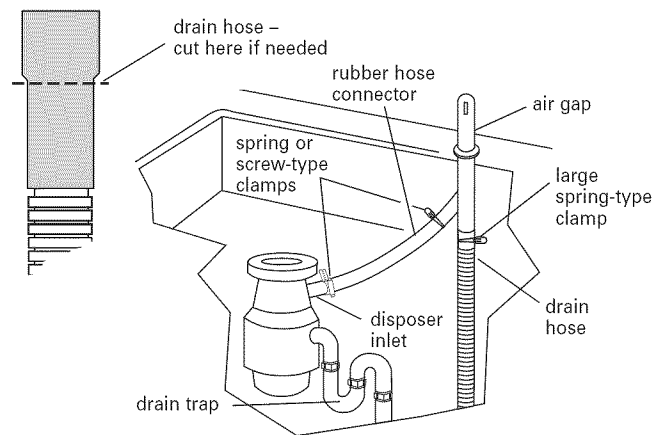


*an air gap is recommended

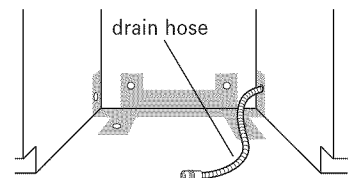
Helpful Tip: To reduce the vibration of the hose, keep the hose away from the floor and the edge of the hole where it passes through the cabinet.

Option 1: Waste disposer – with air gap:

1. Remove the disposer knockout plug. Cut end of drain hose if needed (do not cut ribbed section).
 2. Attach drain hose to air gap with large spring-type clamp. If the drain hose was cut, use a 1-1/2" to 2" (3.8 to 5 cm) screw-type clamp*.
 3. Use a rubber hose connector* with spring or screw-type clamps* to connect air gap to disposer inlet.
- This connection must be before the drain trap and at least 20" (50.8 cm) above the floor where dishwasher will be installed.



4. Insert drain hose through hole cut in cabinet to the front center of opening where drain connection will be made.

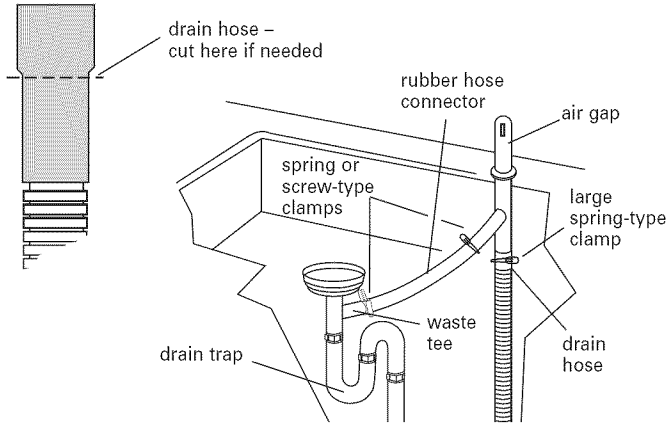


* Parts available from local plumbing supply stores

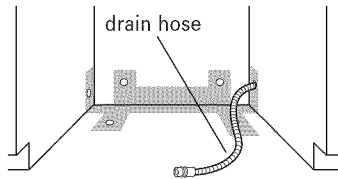
Option 2: No waste disposer – with air gap:

1. Cut end of drain hose if needed (do not cut ribbed section).
2. Attach drain hose to air gap with large spring-type clamp. If the drain hose was cut, use a 1-1/2" to 2" (3.8 to 5 cm) screw-type clamp*.
3. Use a rubber hose connector* with spring or screw-type clamps* to connect air gap to waste tee.

This connection must be before the drain trap and at least 20" (50.8 cm) above the floor where dishwasher will be installed.



4. Insert drain hose through hole cut in cabinet to the front center of opening where drain connection will be made.

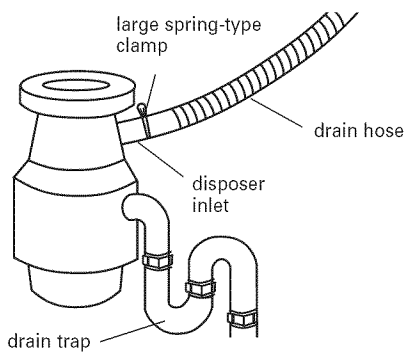


* Parts available from local plumbing supply stores

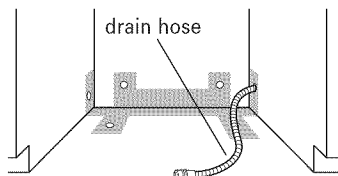
Option 3: Waste disposer – no air gap:

1. Remove the disposer knockout plug. Do not cut end of drain hose.
2. Attach drain hose to disposer inlet with large spring-type clamp.

This connection must be before the drain trap and at least 20" (50.8 cm) above the floor where dishwasher will be installed. It is recommended that the drain hose be looped up and securely fastened to the underside of the counter.



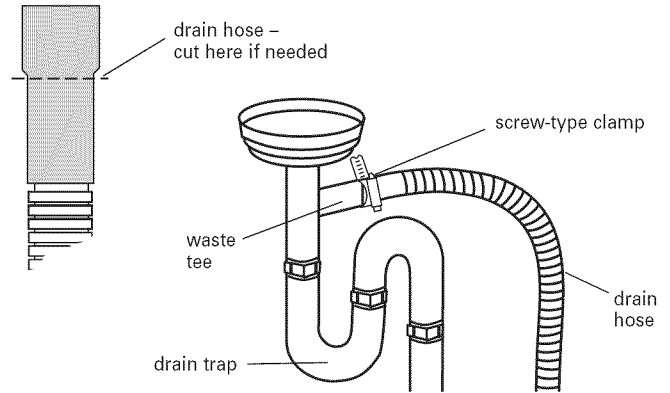
3. Insert drain hose through hole cut in cabinet to the front center of opening where drain connection will be made.



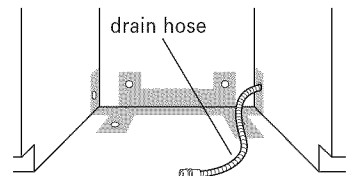
Option 4: No waste disposer – no air gap:

1. Cut end of drain hose if needed (do not cut ribbed section).
2. Attach drain hose to waste tee with 1-1/2" to 2" (3.8 to 5 cm) screw-type clamp*.

This connection must be before the drain trap and at least 20" (50.8 cm) above the floor where dishwasher will be installed. It is recommended that the drain hose be looped up and securely fastened to the underside of the counter.



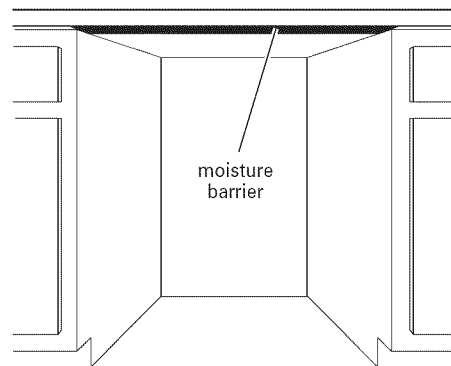
3. Insert drain hose through hole cut in cabinet to the front center of opening where drain connection will be made.



* Parts available from local plumbing supply stores

Install moisture barrier (on some models)

1. Make sure the area under the cabinet is clean and dry for installation of the moisture barrier.
2. Remove the backing of the moisture barrier and apply to underside of the countertop along the front edge of the counter.



Prepare dishwasher

⚠ WARNING



Tip Over Hazard

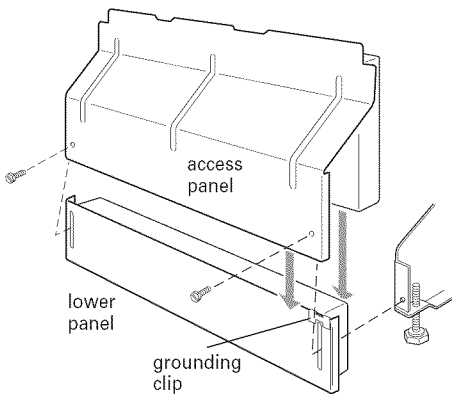
- Do not use dishwasher until completely installed.
- Do not push down on open door.
- Doing so can result in serious injury or cuts.

⚠ WARNING

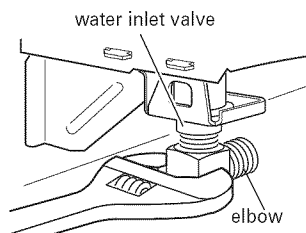
Excessive Weight Hazard

- Use two or more people to move and install dishwasher.
- Failure to do so can result in back or other injury.

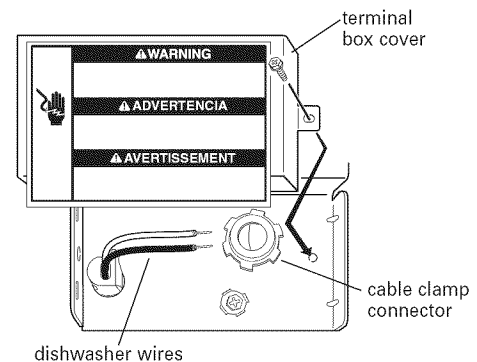
1. Put corner posts from packaging behind dishwasher. Grasp sides of dishwasher door frame and put dishwasher on its back, resting on top of the corner posts.
2. Remove two screws attaching access panel and lower panel to dishwasher using a 1/4" hex socket, nut driver or Phillips screwdriver.



3. Remove panels and set panels aside on a protective surface.
4. Check that grounding clip is attached to the lower panel.
5. Apply Teflon® tape or pipe joint compound to 90° elbow fitting and connect fitting to water inlet valve.
6. Tighten elbow until snug, and be sure that it faces to the rear.

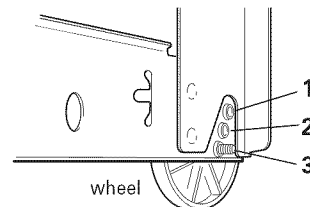
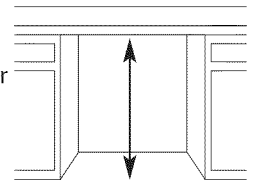


7. Remove terminal box cover.
 - If you are direct wiring: install a U.L.-listed/CSA-certified clamp connector to the terminal box. If using conduit, use a U.L.-listed/CSA-certified conduit connector.
 - If you are installing a power supply cord kit, do so now, following kit instructions.



Helpful Tip: Put cardboard under dishwasher until it is installed in cabinet opening. The cardboard will help protect floor covering during installation.

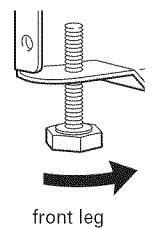
8. Measure height of cabinet opening from underside of countertop to floor where dishwasher will be installed (you need the lowest point). Check chart for that height opening. Put wheels in the required position.



Minimum cutout height	Wheel position	Number of turns on front leg
34" (86.4 cm)	1	10
34-1/4" (87 cm)	2	5
34-1/2" (87.6 cm)	3	0

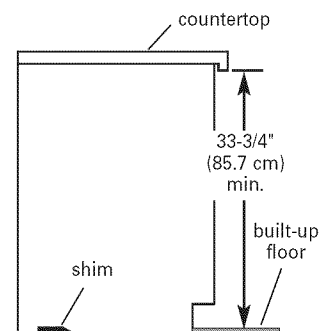
9. Turn both front leveler legs to the same height.

If the minimum cutout height is less than 34" (86.4 cm), the rear wheels can be removed for additional clearance. This will allow the dishwasher to fit into a 33-7/8" (86 cm) high cutout, but the dishwasher will be more difficult to move into position. If the wheels are removed, protect the floor when moving the dishwasher.



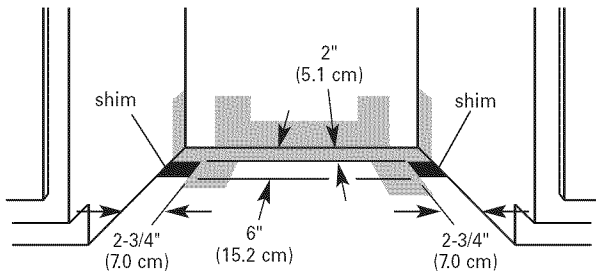
If you have built-up floors

1. Measure height of opening from underside of countertop to built-up floor. If the height is at least 33-3/4" (85.7 cm), the dishwasher will fit into the opening without modification to the countertop or flooring.
2. Put wheels in position 1 and turn the front leveler legs up all the way.



3. Add shims as needed in the area shown to bring dishwasher up to proper height.

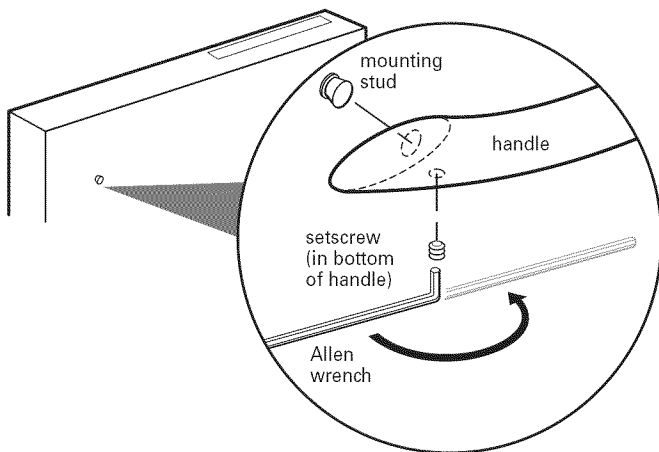
NOTE: Shims must be securely attached to floor to prevent their movement when the dishwasher is operated.



Install the door handle (on some models)

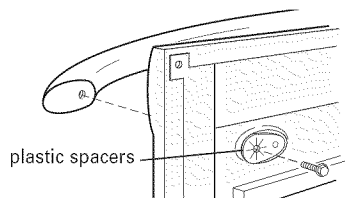
IMPORTANT: Do not scratch the front panel during this procedure.

1. Remove the door handle and hardware bag containing the setscrews and Allen wrench from the cardboard box.
2. Start set screws in handle.
3. Place handle on mounting studs with the set screws facing down.
4. Push the door handle tightly against the door. Insert the short end of the Allen wrench into the setscrews. Tighten the setscrews 1/4 turn past snug. Retain Allen wrench with Installation Instructions.



Install the door handle—Pro Line® series

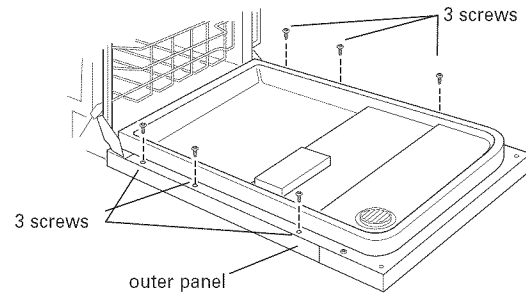
1. Remove the Pro Line® series handle and two screws from handle package.
2. Make sure plastic spacers are still attached to the door.
3. Attach the handle to the factory-supplied full front panel as shown.



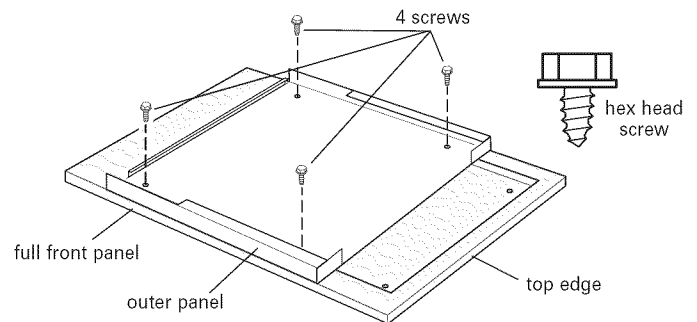
Install door panel—Pro Line® series

For top vented models with a factory-supplied stainless or painted full front panel:

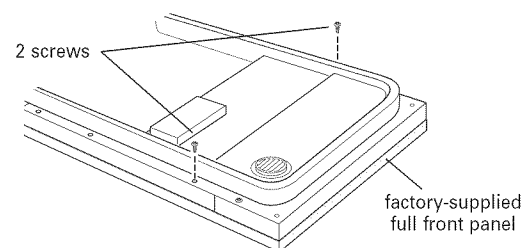
1. Remove the carton containing the factory-supplied full front panel.
2. Remove the handle package from the front of the shipping base.
3. With a TORX® screwdriver, remove three screws on both sides, as shown; hold the outer panel up while removing the screws. Save screws for reinstallation.
4. Gently set outer panel aside.



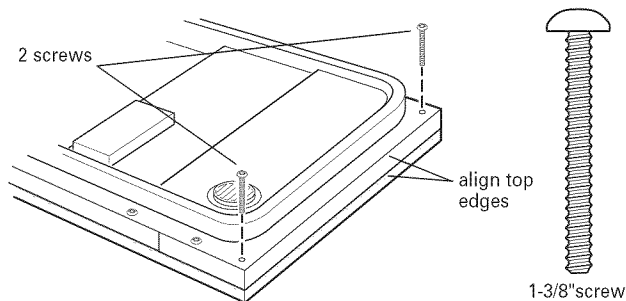
5. Lay the factory-supplied full front panel face down on a protective non-scratching surface.
6. Place the outer panel on the back of the full front panel; align screw holes.
7. Attach outer panel to full front panel with the four #10-16 x 3/8" hex head screws supplied in the literature package.



8. Attach the panel assembly to the door by reinstalling the two uppermost side screws; do not tighten screws completely. This will hold the panel assembly in place on the door frame.



9. Install the two #8-18 x 1-3/8" screws from the literature package in the top corners, as shown. Align top edges of full front panel and console; tighten corner screws.

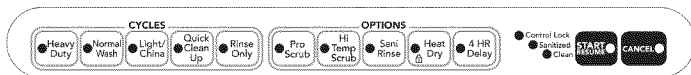


10. Tighten the two side screws reinstalled in Step 8.
11. Reinstall and tighten the three remaining side screws.

Custom panel dimensions

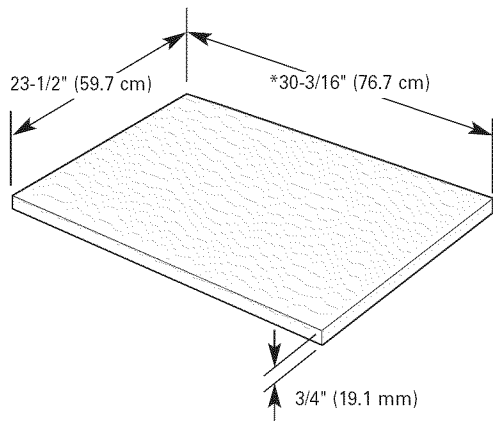
IMPORTANT: You need to know what control panel is on your dishwasher before you order your custom door panel.

For dishwashers with the control panel shown below:
(models KUDS03FTPA and KUDU03FTPA)



(Your model may vary slightly from picture above.)

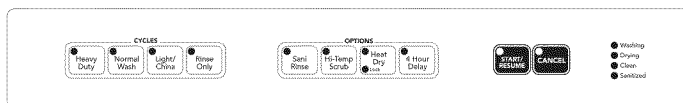
Custom door panel dimensions are:



*This dimension is for 4" (10.2 cm) toe kick. If the installation needs a higher toe kick, adjust the height of the wood panel accordingly. Not recommended for toe kicks greater than 6" (15.2 cm).

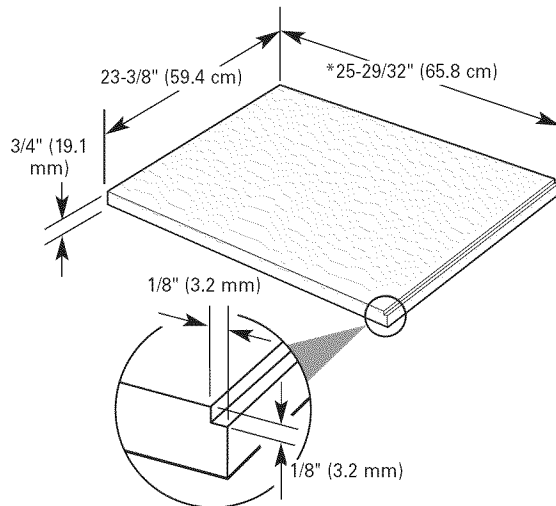
Follow directions under Option #1 of "Install custom panel" section.

For dishwashers with the control panel shown below:
(Models KUDC03IT, KUDK03IT and KUDL03IT)



(Your model may vary slightly from picture above.)

Custom door panel dimensions are:



*This dimension is for 4" (10.2 cm) toe kick. If the installation needs a higher toe kick, adjust the height of the wood panel accordingly. Not recommended for toe kicks greater than 6" (15.2 cm).

Follow directions in Option #2 of "Install custom panel" section.

Install custom panel

Option 1: For models KUDS03FTPA and KUDU03FTPA

NOTE: The handle for the custom panel is not included.

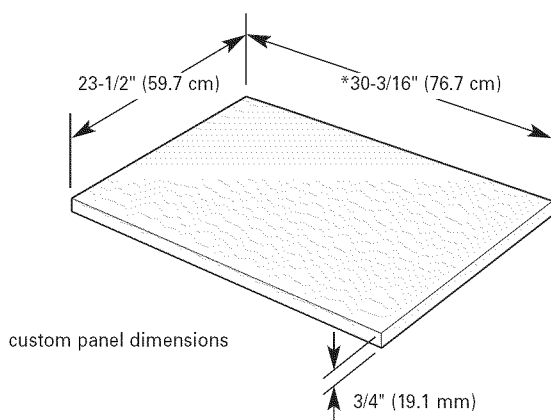
IMPORTANT: If the handle is attached from the back of the custom panel, the screw holes should be countersunk for the screws heads to be flush with the panel. If the handle is attached to the front of the custom panel, the screw lengths cannot exceed the panel thickness. For more information on KitchenAid custom handle selection, refer to the KitchenAid Catalog, visit www.kitchenaid.com, or call 1-800-422-1230.

NOTE: A customer-supplied full front panel must weigh no more than 16 pounds (7.3 kg) and must be made to specific dimensions. It is recommended that a cabinetmaker cut the custom panel because of the precise dimensions needed.

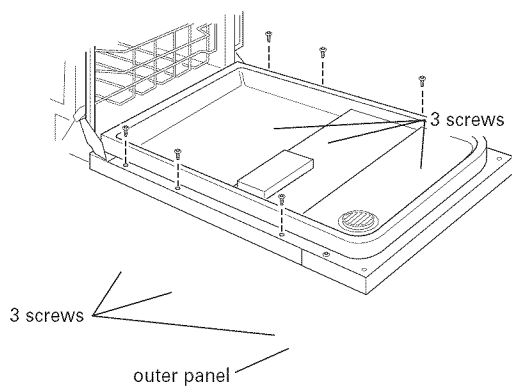
NOTE: All mounting hardware supplied is for a 3/4" (19.1 mm) thick wood panel. If a thinner wood panel, or materials other than wood are used, it is the consumer's responsibility to obtain the proper length screws and adjust the pilot holes accordingly.

IMPORTANT: Use a moisture resistant sealer on both sides and all edges of the panel to protect it from humidity.

1. With a TORX® screwdriver, remove three screws from both sides, as shown; hold the outer panel up while removing the screws. Save screws for reinstallation.

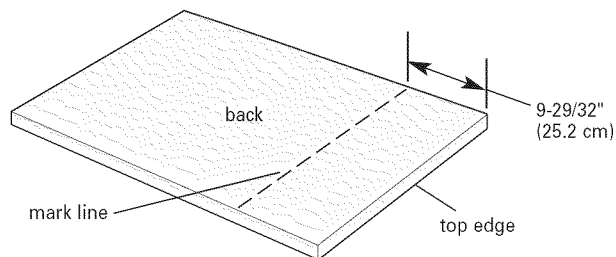


*This dimension is for 4" (10.2 cm) toe kick. If the installation needs a higher toe kick, adjust the height of the wood panel accordingly. Not recommended for toe kicks greater than 6" (15.2 cm).

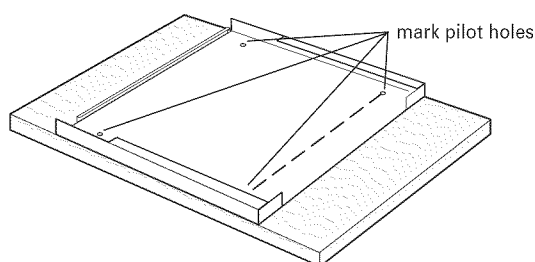


2. Gently set outer panel aside.
3. Lay the customer-supplied custom panel face down on a protective, non-scratching surface.

4. Measure 9-29/32" (25.2 cm) from top edge and mark a line on the back of customer-supplied custom panel.

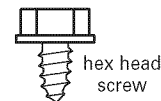


5. Position the outer panel on the back of the customer-supplied custom panel as shown, so that the top holes in the outer panel are on the line, and both panels are centered side to side.
6. Mark all four hole locations; remove outer panel. Drill 3/32" pilot holes 1/2" (13 mm) deep in customer-supplied custom panel.



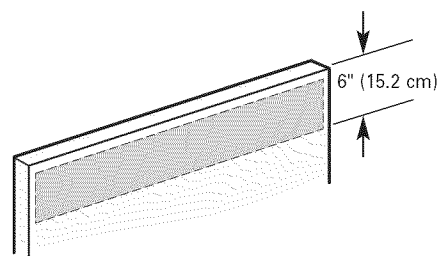
7. Place the outer panel on the back of the customer-supplied custom panel; align holes.

8. Attach outer panel to back of customer-supplied custom panel with the four #10-16 x 3/8" hex head screws supplied in the literature package.

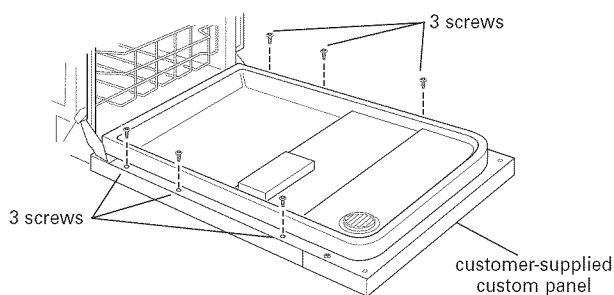


9. Attach the handle. The handle should be centered on the front of the customer-supplied custom panel in the area shown.

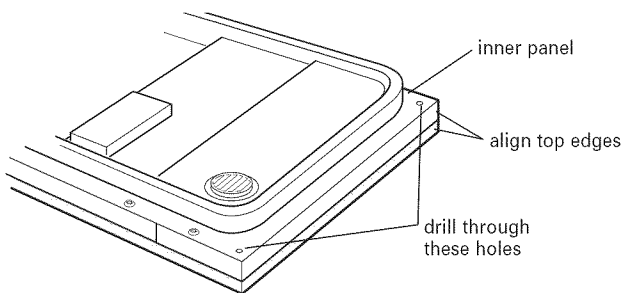
IMPORTANT: Screw heads must be flush with back of customer-supplied custom panel.



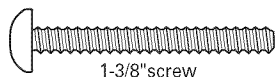
10. Attach the panel assembly to the door by reinstalling the three screws on each side; do not tighten completely. This will hold the panel assembly in place on the door frame.



- Align the top edge of the customer-supplied custom panel with the top of the console.
- Drill two $\frac{3}{32}$ " pilot holes $\frac{1}{2}$ " (13 mm) deep, into the customer-supplied custom panel, through the holes in the top corners on the inner panel, as shown.



- Install the two #8-18 x 1-3/8" screws from the literature package in the top corners of the inner panel.



- Tighten the six side screws reinstalled in Step 10.

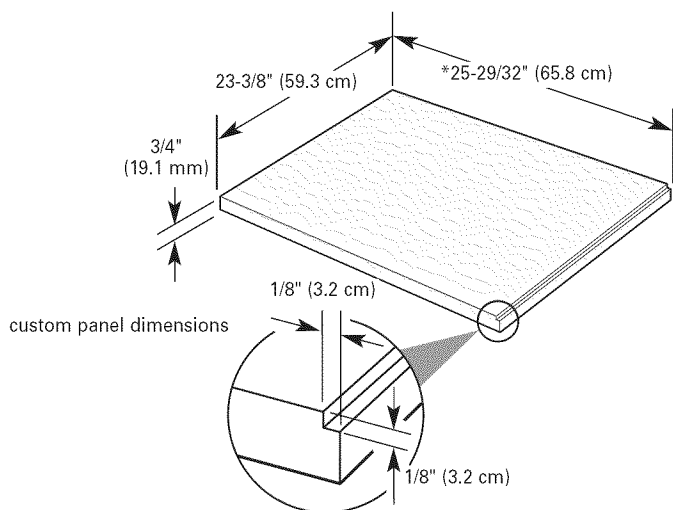
Option 2: For models KUDC03IT, KUDK03IT and KUDL03IT

All models require an accessory option to attach custom panels. Kit No. 8171555 (black), 8171556 (white) or 8171557 (biscuit) are available. To order, call customer service at 800-444-1230.

NOTE: A custom full front panel must weigh no more than 14 pounds (6.3 kg) and must be made to specific dimensions. It is recommended that a cabinetmaker cut the custom panel because of the precise dimensions needed.

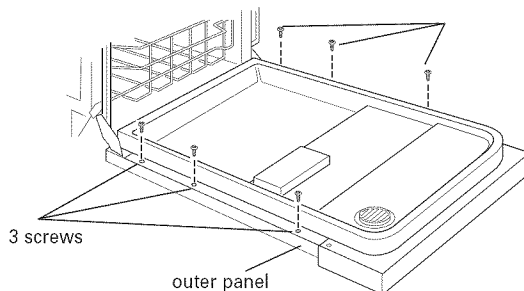
IMPORTANT: Use a moisture resistant sealer on both sides and all edges of the panel to protect it from humidity.

NOTE: These dimensions are for frameless custom panel models with a 4-inch (10.2 cm) console only.

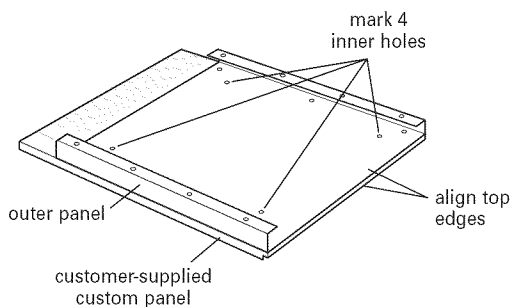


*This dimension is for 4" (10.2 cm) toe kick. If the installation needs a higher toe kick, adjust the height of the wood panel accordingly. Not recommended for toe kicks greater than 6" (15.2 cm).

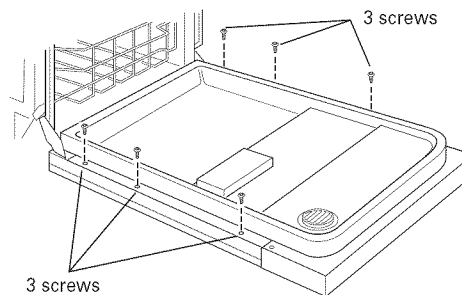
- With a TORX® screwdriver, remove three screws from both sides of door; hold the outer panel up while removing the screws.



- Gently set outer panel aside.
- Lay the customer-supplied custom panel face down on a protective, non-scratching surface.
- Position the outer panel on the back of the customer-supplied custom panel as shown; make sure top edge of the outer panel is aligned with the top edge of the customer-supplied custom panel, and both panels are centered side to side.



- Mark all four hole locations; remove outer panel and drill $\frac{3}{32}$ " pilot holes $\frac{1}{2}$ " (13 mm) deep, in customer-supplied custom panel.
- Place the outer panel on the back of the customer-supplied custom panel and align holes.
- Attach outer panel to back of customer-supplied custom panel with four #10 x $\frac{1}{2}$ " wood screws (not supplied). If the customer-supplied custom panel is less than $\frac{3}{4}$ " (1.9 cm) thick where the screws are attached, shorter screws maybe required.
- Attach the panel assembly to the door by reinstalling the three screws on each side.



Choose attachment option

⚠ WARNING

Excessive Weight Hazard

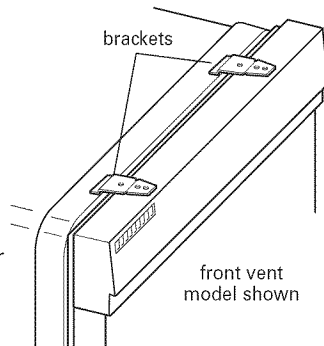
Use two or more people to move and install dishwasher.

Failure to do so can result in back or other injury.

Using two or more people, stand the dishwasher up.

Option 1: Countertop attachment

The dishwasher must be secured to the cabinet. There are two brackets on top of the dishwasher that can be attached to the countertop if it is wood, laminate or other similar surfaces. If your countertop is marble, granite or other hard surface the brackets may be moved to the sides of the dishwasher.

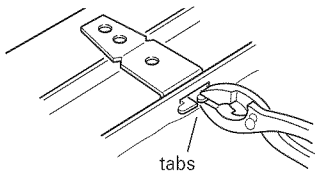


NOTE: Do not attach the dishwasher, this will be done later.

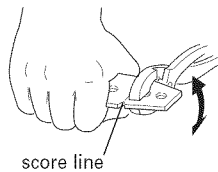
Option 2: Dishwasher side attachment

(for marble, granite or other hard surface countertop)

1. To remove the brackets from the top, flatten tab at back of brackets with pliers, and pull the brackets out of the slots.



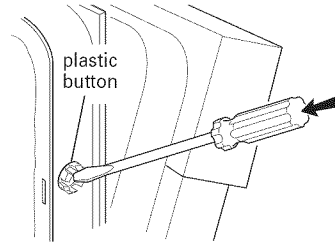
2. Break off the end of the bracket along the scored line.



3. With another person holding the rear of the dishwasher to keep it from tipping, open dishwasher door and place towel over pump assembly and spray arm of dishwasher. This will keep screws from falling into pump area when securing dishwasher to cabinet.

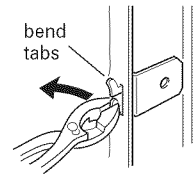
4. Push the plastic buttons out of the side of the tub.

NOTE: Save the buttons to cover the holes after dishwasher is installed.



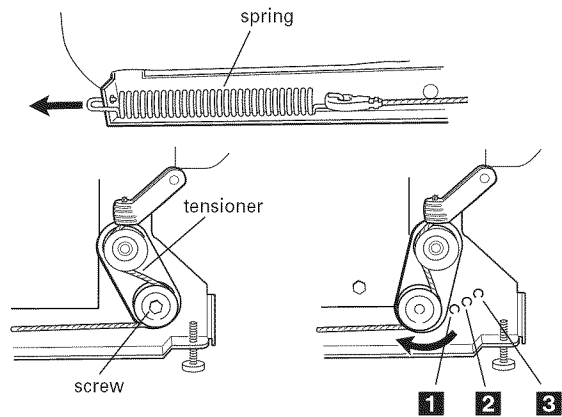
5. Push bracket into slot on the side of dishwasher, and bend tab in towards the side of the dishwasher so that it keeps the bracket in place. Repeat this step for the other side of the dishwasher.

NOTE: Do not attach the dishwasher, this will be done later.



Check door spring tension

1. With another person holding the rear of the dishwasher to keep it from tipping, open and close the door a few times. If the door closes or falls open under its own weight, the door tension will need to be adjusted.
2. To adjust the door spring tension, unhook the spring from the rear leg of dishwasher.
3. With a 5/16" nut driver or hex socket, remove the screw from the tensioner.
4. The screw can be put into one of three holes **1**, **2**, **3** in the front leg of dishwasher. If the door closes by itself, move the tensioner to a higher number hole and replace screw. When door is unlatched, if it opens by itself, move tensioner to a lower numbered hole and replace screw.
5. Re-attach door spring to rear leg. Tensioners on both sides of dishwasher should be secured at same holes.



Move dishwasher into cabinet opening

! WARNING

Excessive Weight Hazard

Use two or more people to move and install dishwasher.

Failure to do so can result in back or other injury.

1. Grasp the sides of the dishwasher at the edges of the door panel.
2. Tilt dishwasher backwards on wheels and move dishwasher close to cabinet opening. Do not push on the front of the panel or on the console—they may dent.
3. If dishwasher has a power supply cord, insert power supply cord into hole cut into cabinet.

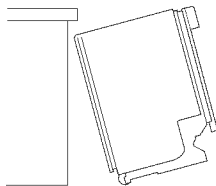
If using direct wire, check that it is on the right front side of opening.

4. Check that water line is on the left side of opening and drain hose is near the center of the hole in the cabinet.
5. Slowly move dishwasher completely into cabinet opening. Do not kink or pinch copper tubing, drain hose, power supply cord or direct wire between dishwasher and cabinet.

Helpful Tip: Once the dishwasher is in position, you may have to support the front of the dishwasher by raising, lowering or shimming front feet.

6. Remove cardboard from under dishwasher.

NOTE: It is all right if dishwasher fits tightly into cabinet opening. Do not remove insulation blanket—the blanket reduces the sound level.

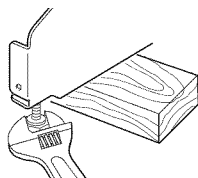


Level the dishwasher

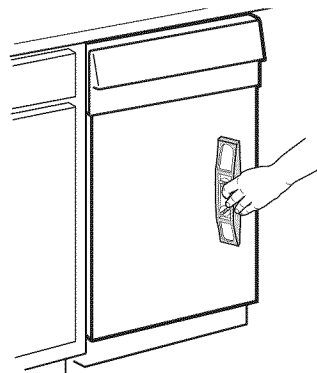
1. Align front of dishwasher door panel with cabinet doors. You may need to adjust alignment to be even with your cabinets.

Helpful Tip: Prop up one side of frame to hold dishwasher up off floor when adjusting front legs.

2. Check that leveling legs are firmly against the floor.



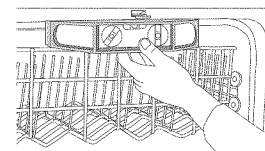
3. Close and latch the door, and place level against the front panel. Check that dishwasher is plumb. If needed, adjust leveling leg or add shims under rear wheel until dishwasher is plumb.



4. Repeat for other side of dishwasher.

NOTE: Shims must be securely attached to floor to prevent their movement when the dishwasher is operated.

5. Place level against top front opening of tub. Check that dishwasher is level from side to side. If dishwasher is not level, adjust front legs up or down until dishwasher is level.



Make Electrical Connection

Check “Electrical requirements” section.

You need to:

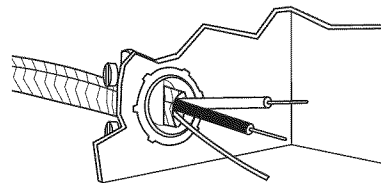
- have the correct electrical supply and recommended grounding method.

If you are:

- direct wiring, use Option 1
- using a power supply cord, use Option 2

Option 1: Direct wire method

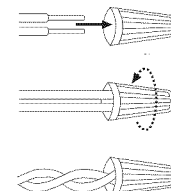
1. Route direct wire so that it does not touch dishwasher motor or lower part of dishwasher tub.



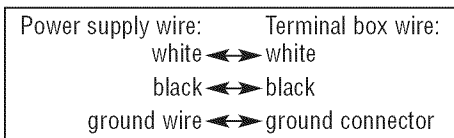
2. Pull direct wire through hole in terminal box.

Helpful Tip:


- Select the proper size twist-on connectors to connect your household wiring to 16-gauge dishwasher wiring.
- Insert wire ends into twist-on connector. Do not pre-twist bare wire.
- Twist connector.
- Gently tug on wires to be sure both are secured.



- Connect the wires as follows using twist-on connectors sized to connect direct wire to 16-gauge dishwasher wire:



⚠ WARNING



Electrical Shock Hazard

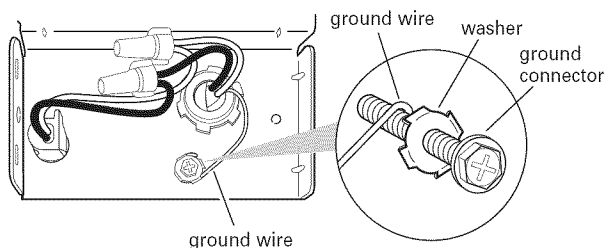
Electrically ground dishwasher.

Connect ground wire to green ground connector in terminal box.

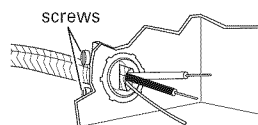
Do not use an extension cord.

Failure to follow these instructions can result in death, fire, or electrical shock.

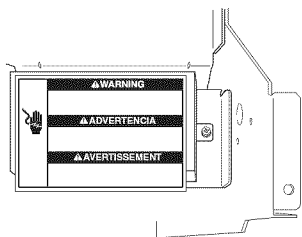
- Form bare ground wire into a U-shaped hook. Wrap ground wire hook clockwise around ground connector and under the washer.
- Securely tighten ground connector.



- Tighten clamp connector or conduit connector screws.




- Reinstall terminal box cover with wires inside terminal box. The cover must be outside the box on the left side.



- Make sure no wires are pinched by cover.

Option 2: Power supply cord method

⚠ WARNING



Electrical Shock Hazard

Plug into a grounded 3 prong outlet.

Do not remove ground prong.

Do not use an adapter.

Do not use an extension cord.

Failure to follow these instructions can result in death, fire, or electrical shock.

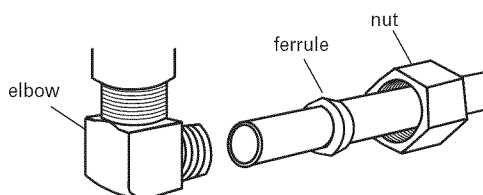
- Plug into a grounded 3 prong outlet.
- Check that power supply cord does not touch dishwasher motor or lower part of dishwasher tub.

Connect to water supply

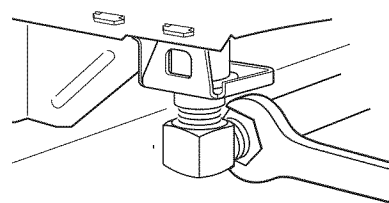
Helpful Tip:

Compression fittings:

- Slide nut onto copper tubing about 1" (2.5 cm).
- Slide ferrule onto the tubing. Do not position ferrule on the end of the tubing.
- Put the tubing into the elbow as far as it will go.
- Slide the nut and ferrule forward and start the nut onto the elbow threads. Be gentle when handling and positioning the copper tubing, it bends and kinks easily.



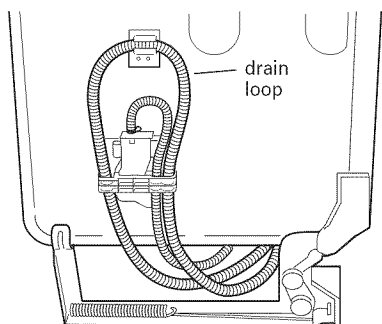
- To prevent vibration during operation, route the water supply line so that it does not touch the dishwasher base, frame or motor.
- With copper tubing pushed into compression fitting as far as it will go, use a wrench and tighten compression fitting nut to elbow on water inlet valve.



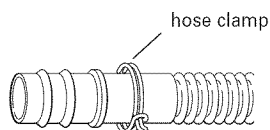
- Place paper towel under elbow. Turn on water supply and check for leaks.

Connect to drain

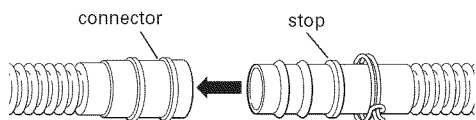
1. To help minimize vibration, route drain hose to avoid contact with motor, door springs, water line, cabinet, flooring or the edge of the hole where it passes through the cabinet.
2. Do not remove drain loop from side of dishwasher.



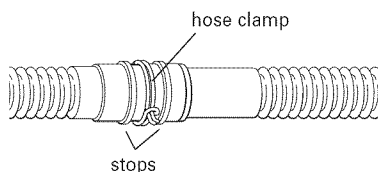
3. Place pan under end of drain hose. Pan will collect any water in drain hose.
4. Place the smaller drain hose clamp onto the small end of the drain hose.



5. Push the drain hose into the connector up to the stop on the drain hose.



6. Use pliers to open clamp and slide clamp onto connector between stops on connector as shown.



Secure dishwasher in cabinet opening

⚠ WARNING



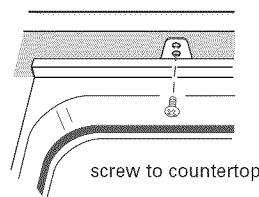
Tip Over Hazard

Do not use dishwasher until completely installed.

Do not push down on open door.

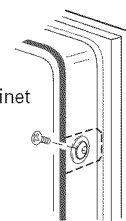
Doing so can result in serious injury or cuts.

1. If you have not already done so, open dishwasher door and place towel over pump assembly and spray arm of dishwasher. This will keep screws from falling into pump area when securing dishwasher to countertop.
2. Check that dishwasher is still level and centered side to side in the opening.
3. Secure dishwasher to countertop or sides of cabinet with two, #10 x 1/2" Phillips-head screws. The dishwasher must be secured to keep it from tipping when door is opened. Do not drop screws into bottom of dishwasher.

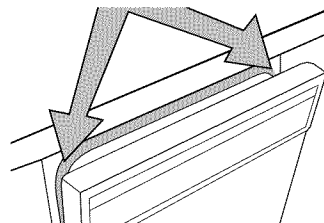


OR

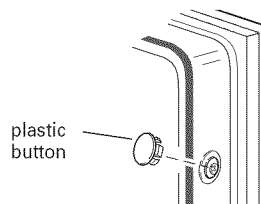
screw to side cabinet



4. Open door about 3 inches (7.6 cm) and check that space between inner door and tub is equal on both sides. If spacing is not equal, loosen bracket screws and shift tub. Tighten bracket screws.
5. If using a countertop attachment to secure dishwasher, check that top of door does not contact screws, brackets, or countertop. If it does, dishwasher must be lowered and re-leveled.



6. If securing with a side attachment, check that sides of door do not rub against the screw heads. If they do, dishwasher must be re-centered. When dishwasher is properly centered, replace plastic buttons.

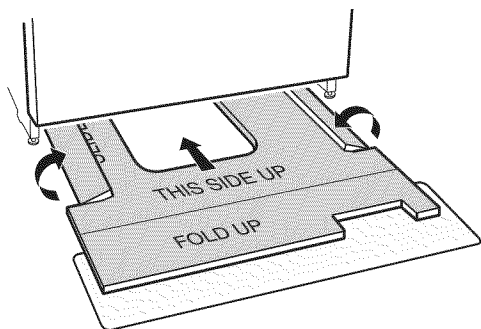


7. Remove towel from dishwasher.
8. Reinstall the lower dishrack.

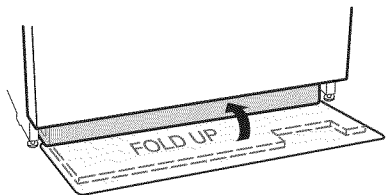
Bottom sound pad installation (on some models)

1. Remove the bottom sound pad from inside the dishwasher and take it out of the plastic bag.
2. Place pad on the floor in front of the dishwasher, making sure lettering is facing up and vinyl pad faces down.
3. Fold up and hold the side panels down. Carefully slide the pad toward the back of the dishwasher as far as it will go, making sure not to push or pull any wires or hoses. (Do not force.) Side panels will open to proper position.

NOTE: If there are pipes or other obstructions coming up through the floor, you will need to cut a slit in the pad to fit around the obstacle.

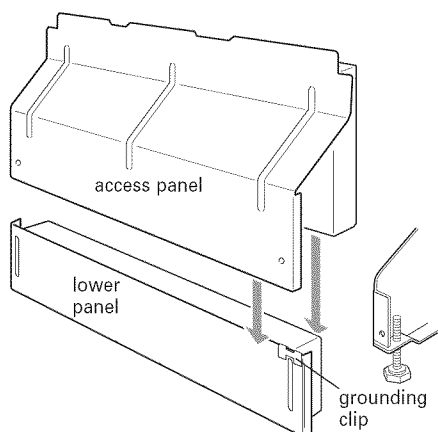


4. Fold the front end of the pad up into position. Make sure the vinyl pad is tucked up behind the door and the dishwasher front legs, as shown.

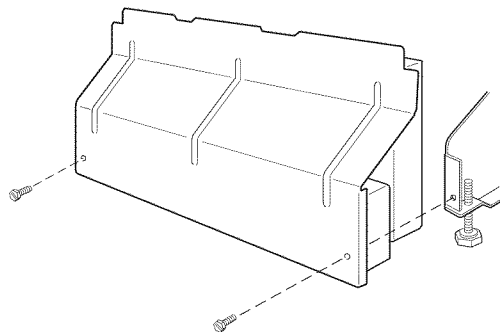


Complete installation

1. Check that grounding clip is attached to the lower panel.
2. Place the lower panel behind the access panel. Some models have insulation on the access panel which must fall behind the insulation on the lower panel.



3. Hold the two panels together and push them up against dishwasher leg and vinyl pad.
4. Reinstall the screws through the holes in the access panel and the slots in the lower panel. Install right side screw first.



5. Check that the lower edge of the lower panel contacts the floor.
6. Tighten the screws.

Direct wire method:

⚠ WARNING



Electrical Shock Hazard

Electrically ground dishwasher.

Connect ground wire to green ground connector in terminal box.

Do not use an extension cord.

Failure to follow these instructions can result in death, fire, or electrical shock.

Power supply cord method:

⚠ WARNING



Electrical Shock Hazard

Plug into a grounded 3 prong outlet.

Do not remove ground prong.

Do not use an adapter.

Do not use an extension cord.

Failure to follow these instructions can result in death, fire, or electrical shock.

7. Reconnect power or plug in dishwasher.

Check operation

1. Read the Use and Care Guide that came with your dishwasher.
2. Check that all parts have been installed and no steps were skipped.
3. Check that you have all the tools you used.
4. Start dishwasher and allow it to complete the shortest wash cycle. After the first two minutes, unlatch door, wait five seconds, then open door.
5. Check to see that there is water in the bottom of the dishwasher tub. Check that dishwasher is working properly.
6. If not, disconnect power or unplug dishwasher and see "If dishwasher does not operate" section.

If dishwasher does not operate

First try the solutions suggested here to possibly avoid the cost of a service call.

- Has the circuit breaker tripped or the house fuse blown?
- Is the door closed tightly and latched?
- Has the cycle been set correctly to start the dishwasher?
- Is the water turned on?

If none of these work, call 1-800-422-1230.

Table des matières

Sécurité du lave-vaisselle	21
Exigences d'installation	22
Outillage et pièces	22
Emplacement d'installation	22
Spécifications de la canalisation d'évacuation	24
Spécifications de l'alimentation en eau	24
Spécifications électriques	24

Instructions d'installation	25
Préparation des ouvertures dans les placards – utilisation des modes de raccordement existants pour canalisations et câblage	25
Préparation de l'emplacement d'installation entre les placards lorsque les canalisations et câbles n'ont pas été installés	26
Installation de la barrière contre l'humidité	28
Préparation du lave-vaisselle	29
Raccordement électrique	36
Raccordement à la canalisation d'eau	37
Raccordement à la canalisation d'évacuation	37
Immobilisation du lave-vaisselle dans l'espace d'installation	38

Sécurité du lave-vaisselle

Votre sécurité et celle des autres est très importante.

Nous donnons de nombreux messages de sécurité importants dans ce manuel et sur votre appareil ménager. Assurez-vous de toujours lire tous les messages de sécurité et de vous y conformer.



Voici le symbole d'alerte de sécurité.

Ce symbole d'alerte de sécurité vous signale les dangers potentiels de décès et de blessures graves à vous et à d'autres.

Tous les messages de sécurité suivront le symbole d'alerte de sécurité et le mot "DANGER" ou "AVERTISSEMENT". Ces mots signifient :

⚠ DANGER

Risque possible de décès ou de blessure grave si vous ne suivez pas immédiatement les instructions.

⚠ AVERTISSEMENT

Risque possible de décès ou de blessure grave si vous ne suivez pas les instructions.

Tous les messages de sécurité vous diront quel est le danger potentiel et vous disent comment réduire le risque de blessure et ce qui peut se produire en cas de non-respect des instructions.

⚠ AVERTISSEMENT



Risque de basculement

Ne pas utiliser le lave-vaisselle jusqu'à ce qu'il soit complètement installé.

Ne pas appuyer sur la porte ouverte.

Le non-respect de ces instructions peut causer des blessures graves ou des coupures.

Tenir compte de ceci :

- Ouvrir lentement la porte du lave-vaisselle tandis qu'une autre personne saisit l'arrière de l'appareil. Retirer les matériaux d'emballage, le tuyau de décharge et le panier inférieur. Fermer la porte du lave-vaisselle et verrouiller le loquet.
- Respecter les dispositions de tous les codes et règlements en vigueur.
- Installer le lave-vaisselle conformément aux prescriptions des présentes instructions.
- L'installation devrait être exécutée par un technicien qualifié. Veiller à respecter les dispositions de tous les codes et règlements locaux et nationaux régissant les installations de plomberie et d'électricité.

Exigences d'installation

Outillage et pièces

Rassembler tous les outils et pièces nécessaires avant de commencer l'installation.

Pour toutes les configurations d'installation

Outillage nécessaire :

- pince
- tournevis Phillips
- tourne-écrou ou clé à douille – douilles hexagonales de 5/16" ou 1/4"
- mètre-ruban ou règle
- clé à molette de 10" (ouverture jusqu'à 2,9 cm [1 1/8"])
- tournevis à lame plate
- couteau utilitaire
- 2 connecteurs de fils de taille appropriée pour le raccordement des conducteurs de l'appareil (calibre 16) au câblage de la maison
- petit niveau
- tournevis TORX® T15 (en cas d'installation de panneaux avant personnalisés)

- lampe torche
- plat peu profond
- clé plate de 5/8"
- serviette de bain
- cale de bois

Pièces nécessaires :

- raccord 90° avec filetage externe de 3/8" NPT à une extrémité. (La configuration de l'autre extrémité doit être adaptée à celle de la canalisation d'arrivée d'eau.)
- ruban de Teflon® ou composé d'étanchéité pour tuyauteries
- cales (pour l'installation sur un plancher à rehaussement partiel)
- 4 vis à bois n° 10 x 1/2" (en cas d'installation de panneaux avant personnalisés)

Outillage et pièces supplémentaires pour l'installation dans un local neuf

Outillage nécessaire :

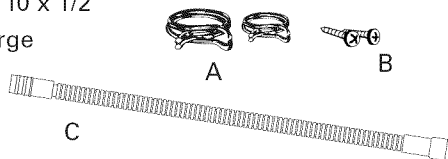
- perceuse électrique avec scies à trous de 1/2", 3/4" et 1 1/2"
- petit coupe-tube
- pince à dénuder
- bride de tuyau à vis de 1 1/2" – 2" pour raccordement à la canalisation d'égout sur un raccord T

Pièces nécessaires :

- tube de cuivre (3/8" recommandé) ou conduit de raccordement flexible avec tresse d'acier inoxydable
- serre-câble ou connecteur de conduit utilisable sur un trou de diamètre 2,2 cm (7/8")

Pièces fournies

- A. 2 brides pour tuyau de décharge - 1 grosse, 1 petite
- B. 2 vis Phillips n° 10 x 1/2"
- C. Tuyau de décharge



Pièces additionnelles fournies uniquement avec les modèles à évacuation par le haut

- D. 2 vis n° 8 x 1-3/8" TORX® T15
- E. 4 vis à tête hexagonale n° 10 x 3/8"

Pièces supplémentaires fournies avec certains modèles

- F. Coussinet du bas (situé dans le panier inférieur)
- G. Barrière contre l'humidité

Vérifier la présence de toutes ces pièces. Si l'une des pièces mentionnées n'est pas présente, téléphoner au 1-800-422-1230.

Voir la liste séparée des pièces et accessoires disponibles pour le lave-vaisselle.

Emplacement d'installation

Ne pas placer canalisation d'évacuation, canalisation d'eau ou câblage électrique à un endroit où cela susciterait interférence ou contact avec les pieds ou le moteur du lave-vaisselle.

À l'emplacement d'installation du lave-vaisselle, on doit pouvoir établir le dégagement approprié entre le moteur et le plancher. Le moteur ne doit pas toucher le plancher.

Ne pas installer le lave-vaisselle par-dessus un tapis.

Protéger du gel le lave-vaisselle et les canalisations d'eau qui l'alimentent; la garantie de l'appareil ne couvre pas les dommages imputables au gel.

Un ensemble "panneau latéral" est disponible chez les revendeurs pour l'installation du lave-vaisselle à l'extrémité d'une rangée de placards.

Un accessoire pare-vapeur (produit n° 4396277) est disponible chez les revendeurs pour l'installation de l'appareil sous le plan de travail. Cependant l'utilisation de cet accessoire n'est pas indispensable. On peut également commander ce produit par téléphone au 1-800-422-1230.

Inspecter l'emplacement d'installation du lave-vaisselle; il doit comporter les caractéristiques suivantes :

- facilité d'accès aux canalisations d'eau et d'égout et à la source d'électricité.
- accès facile pour chargement et déchargement de la vaisselle. Dans le cas de l'installation dans un angle, on doit pouvoir établir un dégagement de 5,1 cm (2") ou plus entre le côté de la porte du lave-vaisselle et le mur ou le placard.
- ouverture carrée offrant l'esthétique appropriée et permettant un fonctionnement correct.
- façade des placards perpendiculaire au plancher.
- plancher horizontal et plat (s'il y a un écart de niveau entre l'avant et l'arrière sur le plancher de l'emplacement d'installation, il pourrait être nécessaire d'utiliser des cales pour établir l'aplomb de l'appareil).

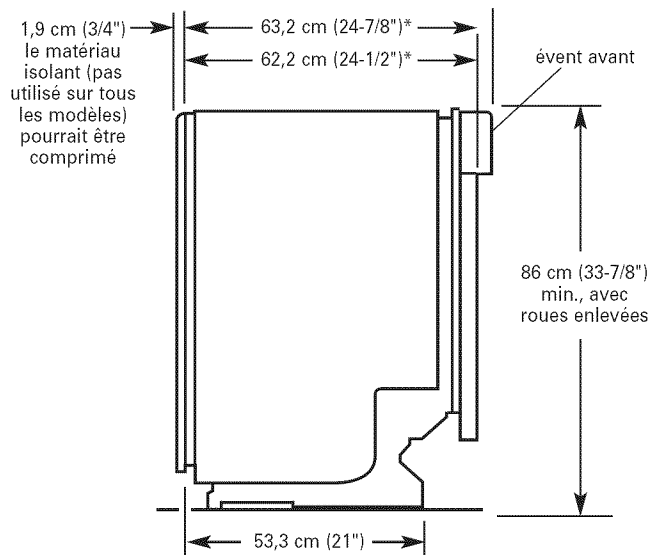
NOTE : Pour éviter tout déplacement des cales durant le fonctionnement de l'appareil, il est nécessaire de fixer les cales au plancher.

Si le lave-vaisselle ne doit pas être utilisé pendant une période prolongée ou s'il est laissé à un endroit qui pourrait être exposé au gel, veiller à faire exécuter les opérations de pré-hivernage par un technicien compétent.

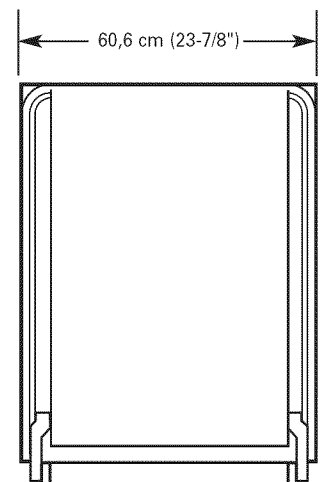
Veiller à ce que les canalisations d'eau et d'évacuation et les câbles électriques soient dans la zone marquée en gris dans la section "Dimensions de l'emplacement d'installation".

Conseil utile : Si le plancher de l'espace d'installation n'est pas parfaitement horizontal et plat (exemple : garnissage de carrelage sur une partie seulement), on devra accorder une attention particulière aux détails lors du relevé des dimensions, pour pouvoir établir l'aplomb correct du lave-vaisselle.

Dimensions du produit

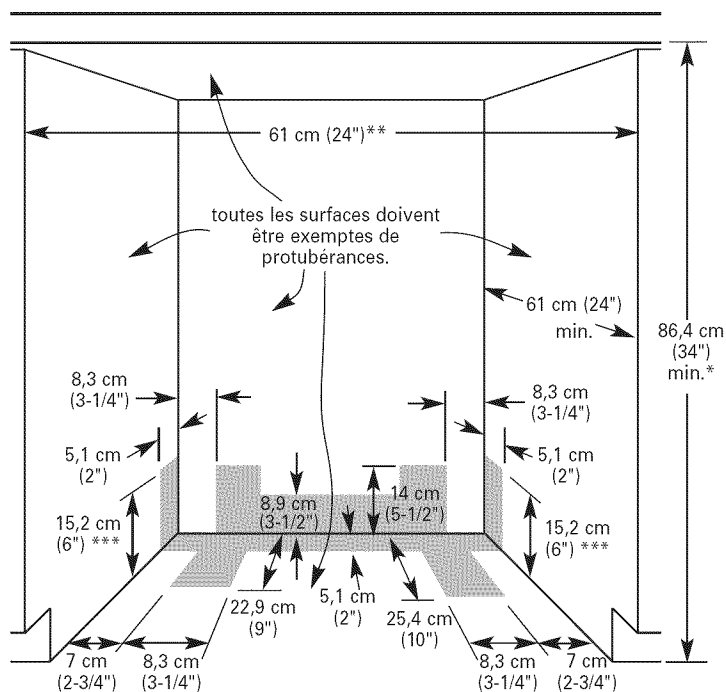


VUE LATÉRALE



VUE ARRIÈRE

Dimensions de l'espace d'installation



Découper les trous dans la zone marquée en gris du plancher, du mur ou des parois des placards, selon les spécifications ci-dessous :

- Canalisation d'eau – 1,3 cm (1/2")
- Canalisation d'évacuation – 3,8 cm (1-1/2")
- Câble pour câblage direct – 1,9 cm (3/4")
- Cordon d'alimentation – 3,8 cm (1-1/2")

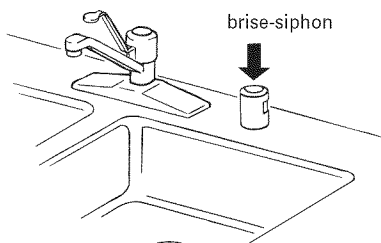
* Mesure depuis le point le plus bas de la face inférieure du plan de travail. Cette dimension peut être réduite à 86 cm (33-7/8") si on retire les roues du lave-vaisselle.

** Dimension minimale mesurée au point le plus étroit de l'ouverture.

*** Cette dimension peut être portée à 16,6 cm (6-5/8") si la hauteur de l'ouverture est de 87,6 cm (34-1/2") au point le plus bas.

Spécifications de la canalisation d'évacuation

- Utiliser le tuyau d'évacuation neuf fourni avec le lave-vaisselle. Si ce tuyau n'est pas suffisamment long, utiliser un tuyau d'évacuation neuf de longueur maximale 3,7 m (12 pi) qui satisfait les critères de la norme AHAM/IAPMO en vigueur, résistant à la chaleur et aux détergents, et qui pourra être connecté sur le raccord de sortie de 2,5 cm (1") du lave-vaisselle.
- Connecter le conduit d'évacuation à la canalisation d'égout par l'intermédiaire d'un raccord T ou du raccord d'un broyeur à déchets situé plus haut que le siphon du circuit de plomberie de la maison, et à au moins 50,8 cm (20") au-dessus du sol. On recommande de lover le tuyau d'évacuation et de le fixer solidement sur la face inférieure du plan de travail, ou de le raccorder à un dispositif brise-siphon.



- Utiliser un dispositif brise-siphon si le tuyau d'évacuation est connecté à la canalisation d'égout de la maison à moins de 50,8 cm (20") au-dessus du sous-plancher ou du plancher.
- Utiliser un raccord de diamètre intérieur de 1/2" ou plus.

Spécifications de l'alimentation en eau

- Canalisation d'eau chaude, sous pression de 20 à 120 lb/po² (138–862 kPa).
- Température de 49°C (120°F) à l'entrée du lave-vaisselle.
- Canalisation de cuivre de diamètre externe 3/8" avec raccord à compression, ou conduit de raccordement flexible à tresse d'acier inoxydable (l'emploi d'un tube de plastique de 1/2" minimum est possible, mais déconseillé).
- raccord 90° avec filetage externe de 3/8" NPT à une extrémité.

Ne pas exécuter de raccordement par soudure à moins de 15,2 cm (6") de l'électrovanne d'admission d'eau.

Spécifications électriques

Contactez un électricien qualifié.

Vérifier que l'installation électrique est adéquate et qu'elle satisfait les exigences de tous les codes et règlements locaux et nationaux en vigueur.

Caractéristiques exigées :

- 120 volts CA seulement, 60 Hz; protection par fusible 15 ou 20 A.
- conducteurs de cuivre seulement

On recommande :

- un fusible temporisé ou disjoncteur.
- une alimentation par un circuit indépendant.

Pour le raccordement direct du lave-vaisselle :

- Utiliser un câble flexible blindé ou à gaine non métallique, des conducteurs de cuivre avec liaison à la terre, satisfaisant les exigences des codes et règlements locaux.
- Arrimer le câble avec le dispositif fourni sur la boîte de connexion de la maison, ou installer un serre-câble (homologation UL ou CSA) sur la boîte de connexion de la maison. Dans le cas de l'emploi d'un conduit, utiliser un connecteur de conduit (homologation UL ou CSA).

Alimentation de l'appareil par un cordon d'alimentation :

- Utiliser le cordon d'alimentation (produit n° 4317824) identifié pour l'utilisation avec un lave-vaisselle. L'ensemble comprend :
 - cordon d'alimentation Volex Inc., avec 3 conducteurs de calibre 16 (homologation UL) et fiche de branchement à 3 broches pour liaison à la terre.
 - serre-câble 7/8" Neer C-500
 - 3 connecteurs de fils
 - bague de protection n° 302797

Pour l'installation du cordon d'alimentation, procéder conformément aux instructions fournies avec l'ensemble.

- La fiche du cordon d'alimentation devra être branchée sur une prise de courant à 3 alvéoles de configuration correspondante, reliée à la terre, installée dans le placard à côté de l'emplacement d'installation du lave-vaisselle. La prise de courant doit satisfaire les exigences de tous les codes et règlements locaux.

Instructions d'installation

⚠ AVERTISSEMENT



Risque de choc électrique

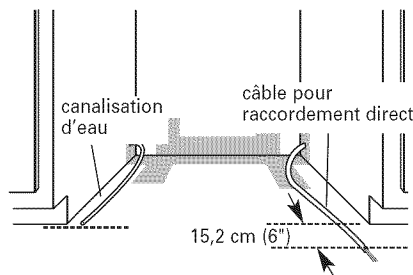
Interrompre l'alimentation électrique avant d'installer le lave-vaisselle (au niveau du tableau de distribution - fusible ou disjoncteur)

Le non-respect de cette instruction peut causer un décès ou un choc électrique.

1. Interrompre l'alimentation électrique.
2. Fermer l'arrivée d'eau.

Préparation des ouvertures dans les placards – utilisation des modes de raccordement existants pour canalisations et câblage

- Procéder conformément aux instructions de cette section pour l'installation de l'appareil à un emplacement déjà doté de moyens de raccordement.
- Pour l'installation de l'appareil à un emplacement où les canalisations et le câblage n'ont pas déjà été installés, procéder conformément aux instructions présentées à la section "Préparation de l'emplacement d'installation entre les placards lorsque les canalisations et câbles n'ont pas été installés".



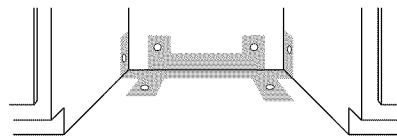
1. Vérifier que la canalisation d'eau atteint le côté avant gauche de l'espace d'installation (endroit où le raccordement à l'appareil sera effectué).
2. Vérifier que le câble d'alimentation atteint l'angle avant droit de l'espace d'installation (endroit où le raccordement à l'appareil sera effectué).

Si la canalisation d'eau et le câble de raccordement électrique sont suffisamment longs, passer à la section suivante "Installation du tuyau d'évacuation". Si la canalisation d'eau et le câble électrique ne sont pas suffisamment longs, procéder conformément aux instructions de la section "Préparation de l'emplacement d'installation entre les placards lorsque les canalisations et câbles n'ont pas été installés".

Installation du tuyau d'évacuation

IMPORTANT : On doit toujours utiliser un tuyau d'évacuation neuf, même pour l'installation d'un lave-vaisselle de remplacement neuf.

1. Percer un trou de diamètre 3,8 cm (1 1/2") dans la paroi du placard ou dans le plancher sur le côté de l'espace d'installation le plus proche de l'évier.



2. Employer l'une des méthodes suivantes pour raccorder le tuyau d'évacuation sur un raccord T ou sur un broyeur à déchets.

- Option 1 - broyeur à déchets – avec brise-siphon
- Option 2 - pas de broyeur à déchets – avec brise-siphon
- Option 3 - broyeur à déchets – sans brise-siphon*
- Option 4 - pas de broyeur à déchets – sans brise-siphon*

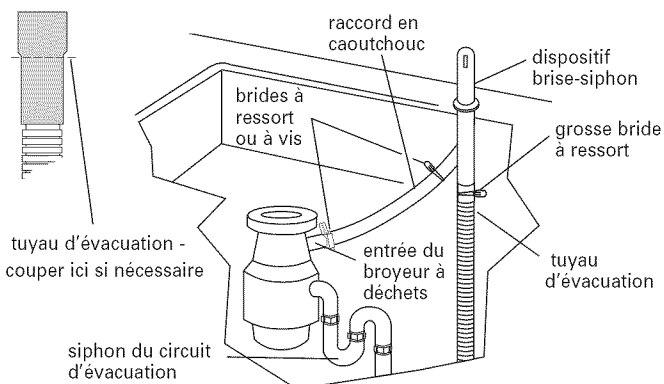
* on recommande qu'un brise-siphon soit disponible

Conseil utile : Pour réduire les effets de vibration du tuyau durant le fonctionnement, maintenir une séparation entre le tuyau et le plancher et entre le tuyau et la circonférence du trou de passage à travers le placard.

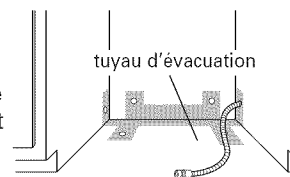
Option 1 - broyeur à déchets – avec brise-siphon :

1. Ôter l'opercule arrachable sur le broyeur à déchets. Si nécessaire, couper l'extrémité du tuyau d'évacuation (ne pas couper dans la section ondulée).
2. Connecter le tuyau d'évacuation sur le dispositif brise-siphon avec la grosse bride à ressort. Si le tuyau d'évacuation a été coupé, utiliser une bride à vis* de 3,8 à 5 cm (1 1/2 à 2").
3. Utiliser un raccord en caoutchouc* avec une bride à ressort ou à vis* pour raccorder le dispositif brise-siphon à l'entrée du broyeur à déchets.

Ce raccordement doit être réalisé en amont du siphon du circuit d'évacuation et à au moins 50,8 cm (20") au-dessus du plancher de l'espace d'installation du lave-vaisselle.



4. Insérer le tuyau d'évacuation à travers le trou découpé dans le placard et acheminer le tuyau jusqu'à l'avant centre de l'ouverture où le raccordement du circuit d'évacuation sera réalisé.

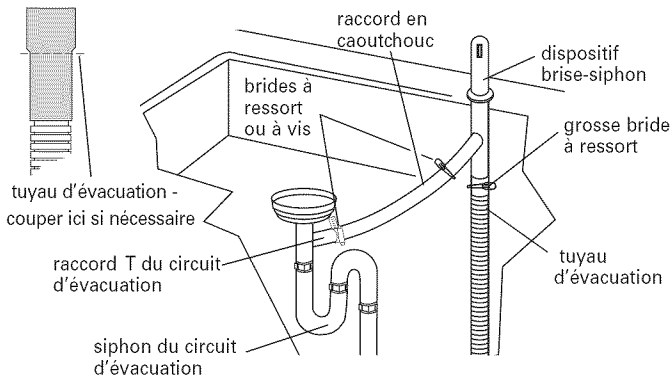


*Pièces disponibles dans un magasin local de fournitures de plomberie

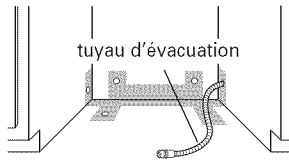
Option 2 - pas de broyeur à déchets – avec brise-siphon :

1. Si nécessaire, couper l'extrémité du tuyau d'évacuation (ne pas couper dans la section ondulée).
2. Connecter le tuyau d'évacuation sur le dispositif brise-siphon avec la grosse bride à ressort. Si le tuyau d'évacuation a été coupé, utiliser une bride à vis* de 3,8 à 5 cm (1 1/2 à 2").
3. Utiliser un raccord de caoutchouc* avec bride à ressort ou à vis* pour le raccordement entre le dispositif brise-siphon et le raccord T du circuit d'évacuation.

Ce raccordement doit être réalisé en amont du siphon du circuit d'évacuation et à au moins 50,8 cm (20") au-dessus du plancher de l'espace d'installation du lave-vaisselle.



4. Insérer le tuyau d'évacuation à travers le trou découpé dans le placard et acheminer le tuyau jusqu'à l'avant centre de l'ouverture où le raccordement du circuit d'évacuation sera réalisé.

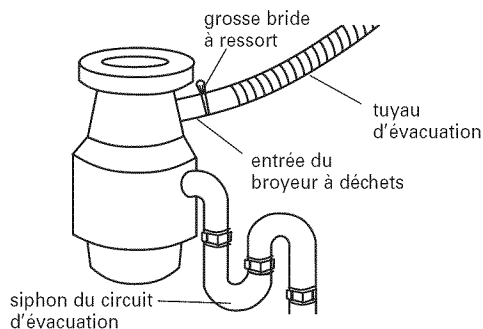


* Pièces disponibles dans un magasin local de fournitures de plomberie

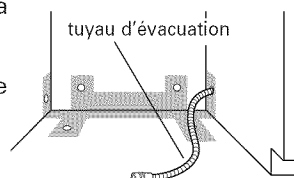
Option 3 - broyeur à déchets – sans brise-siphon :

1. Ôter l'opercule arrachable du broyeur à déchets. Ne pas couper l'extrémité du tuyau d'évacuation.
2. Connecter le tuyau d'évacuation sur le broyeur à déchets avec la grosse bride à ressort.

Ce raccordement doit être réalisé en amont du siphon du circuit d'évacuation et à au moins 50,8 cm (20") au-dessus du plancher de l'espace d'installation du lave-vaisselle. On recommande de lover le tuyau d'évacuation et de le fixer solidement sur la face inférieure du plan de travail.



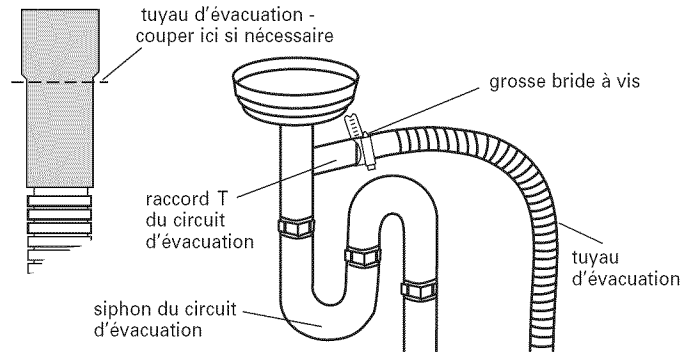
3. Insérer le tuyau d'évacuation à travers le trou découpé dans le placard et acheminer le tuyau jusqu'à l'avant centre de l'ouverture où le raccordement du circuit d'évacuation sera réalisé.



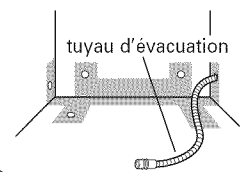
Option 4 - pas de broyeur à déchets – sans brise-siphon :

1. Si nécessaire, couper l'extrémité du tuyau d'évacuation (ne pas couper dans la section ondulée).
2. Connecter le tuyau d'évacuation sur le raccord T du circuit d'évacuation avec une bride à vis* de 3,8 à 5 cm (1 1/2 à 2")*.

Ce raccordement doit être réalisé en amont du siphon du circuit d'évacuation et à au moins 50,8 cm (20") au-dessus du plancher de l'espace d'installation du lave-vaisselle. On recommande de lover le tuyau d'évacuation et de le fixer solidement sur la face inférieure du plan de travail.



3. Insérer le tuyau d'évacuation à travers le trou découpé dans le placard et acheminer le tuyau jusqu'à l'avant centre de l'ouverture où le raccordement du circuit d'évacuation sera réalisé.



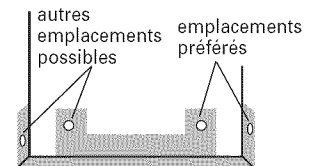
* Pièces disponibles dans un magasin local de fournitures de plomberie

Préparation de l'emplacement d'installation entre les placards lorsque les canalisations et câbles n'ont pas été installés

Raccordement électrique

Option 1 - raccordement direct :

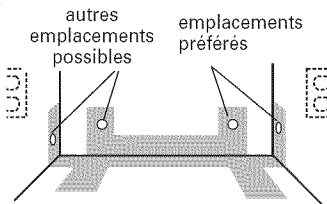
Conseil utile : Le raccordement au lave-vaisselle sera plus facile si on achemine le câble par le côté droit de l'espace d'installation.



1. Percer un trou de 1,9 cm (3/4") dans la paroi du placard, le mur arrière ou le plancher, sur le côté droit de l'espace d'installation. Les emplacements préférés ainsi que les autres emplacements possibles sont identifiés sur l'illustration.
2. Placard de bois : poncer la rive du trou percé pour produire une surface lisse.
Placard métallique : garnir la circonférence du trou percé avec une bague de protection (pas fournie).
3. Acheminer le câble jusqu'à la boîte de connexion (tableau de distribution de la maison).
4. Pour un câble flexible, installer un serre-câble (homologation UL ou CSA). Dans le cas d'un conduit, installer un connecteur de conduit sur la boîte de connexion (homologation UL ou CSA).
5. Faire passer l'autre extrémité du câble à travers le trou percé dans le placard. L'extrémité du câble doit pouvoir parvenir jusqu'à l'angle avant droit de l'espace d'installation.

Option 2 - raccordement par cordon d'alimentation :

NOTE : La fiche du cordon d'alimentation devra être branchée sur une prise de courant à 3 alvéoles de configuration correspondante, reliée à la terre, installée dans le placard, à côté de l'emplacement d'installation du lave-vaisselle.

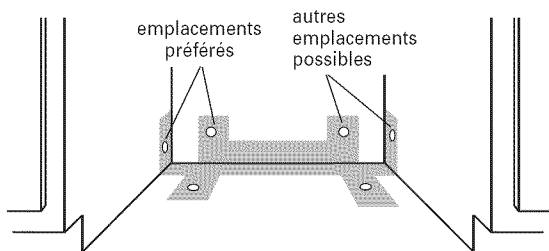


1. Percer un trou de 3,8 cm (1 1/2") dans la paroi latérale ou arrière du placard. Les emplacements préférés ainsi que les autres emplacements possibles sont identifiés sur l'illustration.
2. Placard de bois : poncer la rive du trou percé pour produire une surface lisse.
Placard métallique : garnir la circonférence du trou percé avec la bague de protection (pièce n° 302797) fournie avec l'ensemble du cordon d'alimentation.

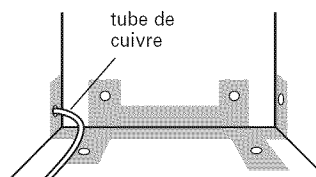
Installation de la canalisation d'eau

Conseil utile : Le raccordement au lave-vaisselle sera plus facile si on achemine la canalisation d'eau par le côté gauche de l'espace d'installation.

1. Percer un trou de diamètre 1,3 cm ou plus (1/2") dans la paroi du placard, le mur arrière ou le plancher. Les emplacements préférés ainsi que les autres emplacements possibles sont identifiés sur l'illustration.

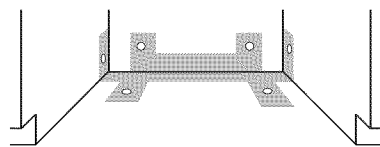


2. Mesurer la longueur totale de tube de cuivre nécessaire.
3. Connecter le tube de cuivre à la canalisation d'eau par l'intermédiaire d'un robinet d'arrêt manuel.
4. Enfiler doucement le tube de cuivre à travers le trou percé dans le placard. On doit travailler prudemment; le tube de cuivre est malléable et on peut facilement le déformer et même l'écraser. Vérifier que le tube de cuivre atteint le côté avant gauche de l'espace d'installation (endroit où le raccordement à l'appareil sera effectué).
5. Ouvrir le robinet d'arrêt pour éliminer les particules et débris qui pourraient encrasser l'électrovanne d'admission d'eau - récupérer l'eau qui s'écoule dans un plat peu profond.
6. Fermer le robinet d'arrêt.



Installation du tuyau d'évacuation

IMPORTANT : Utiliser toujours un tuyau d'évacuation neuf.



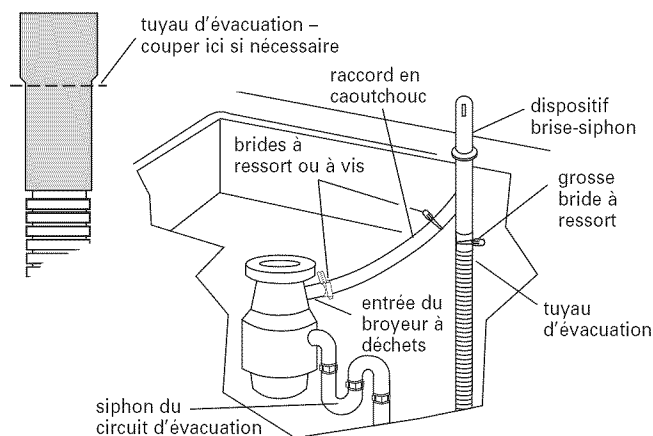
1. Percer un trou de diamètre 3,8 cm (1 1/2") dans la paroi du placard ou dans le plancher sur le côté de l'espace d'installation le plus proche de l'évier.
2. Employer l'une des méthodes suivantes pour raccorder le tuyau d'évacuation sur un raccord T ou sur un broyeur à déchets.
 - Option 1 - broyeur à déchets – avec brise-siphon
 - Option 2 - pas de broyeur à déchets – avec brise-siphon
 - Option 3 - broyeur à déchets – sans brise-siphon*
 - Option 4 - pas de broyeur à déchets – sans brise-siphon*

* on recommande qu'un brise-siphon soit disponible

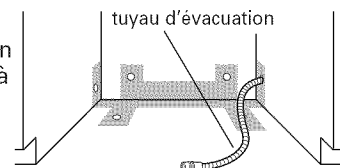
Conseil utile : Pour réduire les effets de vibration du tuyau durant le fonctionnement, maintenir une séparation entre le tuyau et le plancher et entre le tuyau et la circonférence.

Option 1 - broyeur à déchets – avec brise-siphon :

1. Ôter l'opercule arrachable sur le broyeur à déchets. Si nécessaire, couper l'extrémité du tuyau d'évacuation (ne pas couper dans la section ondulée).
2. Connecter le tuyau d'évacuation sur le dispositif brise-siphon avec la grosse bride à ressort. Si le tuyau d'évacuation a été coupé, utiliser une bride à vis* de 3,8 à 5 cm (1 1/2 à 2").
3. Utiliser un raccord en caoutchouc* avec une bride à ressort ou à vis* pour raccorder le dispositif brise-siphon à l'entrée du broyeur à déchets.



Ce raccordement doit être réalisé en amont du siphon du circuit d'évacuation et à au moins 50,8 cm (20") au-dessus du plancher de l'espace d'installation du lave-vaisselle.



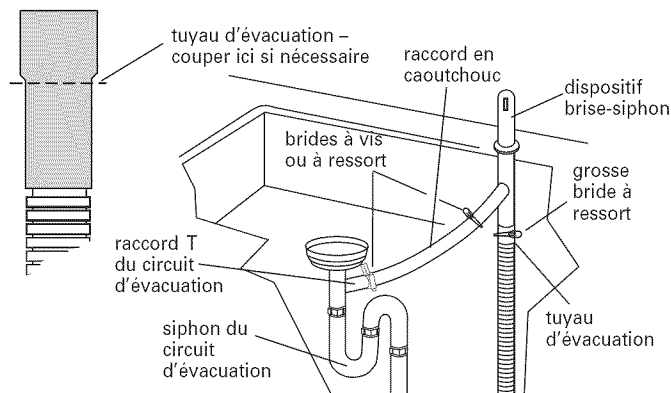
4. Insérer le tuyau d'évacuation à travers le trou découpé dans le placard et acheminer le tuyau jusqu'à l'avant centre de l'ouverture où le raccordement du circuit d'évacuation sera réalisé.

* Pièces disponibles dans un magasin local de fournitures de plomberie

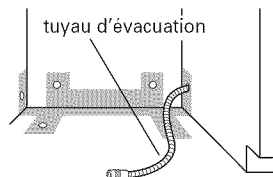
Option 2 - pas de broyeur à déchets – avec brise-siphon :

1. Si nécessaire, couper l'extrémité du tuyau d'évacuation (ne pas couper dans la section ondulée).
2. Connecter le tuyau d'évacuation sur le dispositif brise-siphon avec la grosse bride à ressort. Si le tuyau d'évacuation a été coupé, utiliser une bride à vis* de 3,8 à 5 cm (1 1/2 à 2").
3. Utiliser un raccord de caoutchouc* avec bride à ressort ou à vis* pour le raccordement entre le dispositif brise-siphon et le raccord T du circuit d'évacuation.

Ce raccordement doit être réalisé en amont du siphon du circuit d'évacuation et à au moins 50,8 cm (20") au-dessus du plancher de l'espace d'installation du lave-vaisselle.



4. Insérer le tuyau d'évacuation à travers le trou découpé dans le placard et acheminer le tuyau jusqu'à l'avant centre de l'ouverture où le raccordement du circuit d'évacuation sera réalisé.

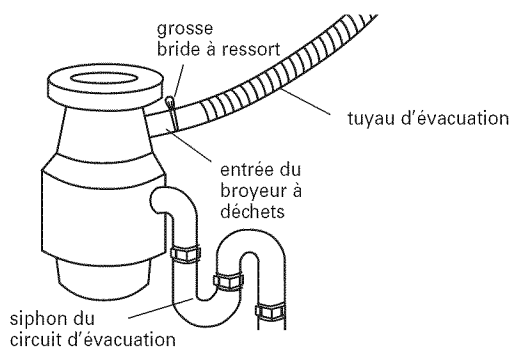


* Pièces disponibles dans un magasin local de fournitures de plomberie

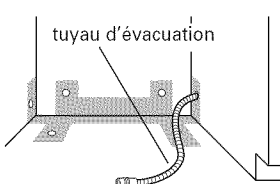
Option 3 - broyeur à déchets – sans brise-siphon :

1. Ôter l'opercule arrachable du broyeur à déchets. Ne pas couper l'extrémité du tuyau d'évacuation.
2. Connecter le tuyau d'évacuation sur le broyeur à déchets avec la grosse bride à ressort.

Ce raccordement doit être réalisé en amont du siphon du circuit d'évacuation et à au moins 50,8 cm (20") au-dessus du plancher de l'espace d'installation du lave-vaisselle. On recommande de lover le tuyau d'évacuation et de le fixer solidement sur la face inférieure du plan de travail.



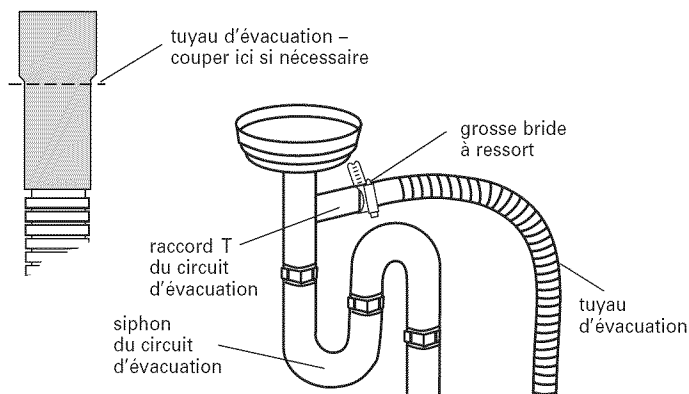
3. Insérer le tuyau d'évacuation à travers le trou découpé dans le placard et acheminer le tuyau jusqu'à l'avant centre de l'ouverture où le raccordement du circuit d'évacuation sera réalisé.



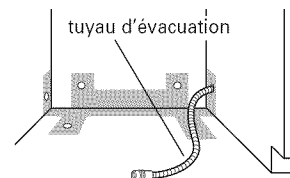
Option 4 - pas de broyeur à déchets – sans brise-siphon :

1. Si nécessaire, couper l'extrémité du tuyau d'évacuation (ne pas couper dans la section ondulée).
2. Connecter le tuyau d'évacuation sur le raccord T du circuit d'évacuation avec une bride à vis* de 3,8 à 5 cm (1 1/2 à 2")*.

Ce raccordement doit être réalisé en amont du siphon du circuit d'évacuation et à au moins 50,8 cm (20") au-dessus du plancher de l'espace d'installation du lave-vaisselle. On recommande de lover le tuyau d'évacuation et de le fixer solidement sur la face inférieure du plan de travail.



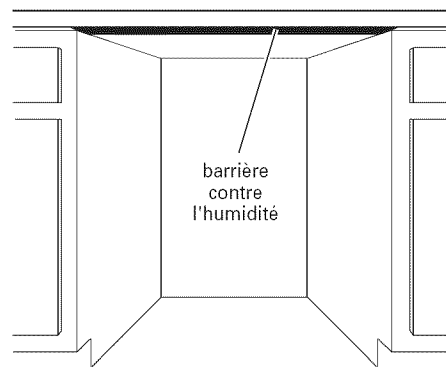
3. Insérer le tuyau d'évacuation à travers le trou découpé dans le placard et acheminer le tuyau jusqu'à l'avant centre de l'ouverture où le raccordement du circuit d'évacuation sera réalisé.



* Pièces disponibles dans un magasin local de fournitures de plomberie

Installation de la barrière contre l'humidité (sur certains modèles)

1. Veiller à ce que la zone se trouvant sous le placard soit propre et sèche avant d'installer la barrière contre l'humidité.
2. Ôter l'endos de la barrière contre l'humidité et l'appliquer sur la face inférieure du plan de travail le long du bord avant du plan de travail.



Préparation du lave-vaisselle

! AVERTISSEMENT



Risque de basculement

Ne pas utiliser le lave-vaisselle jusqu'à ce qu'il soit complètement installé.

Ne pas appuyer sur la porte ouverte.

Le non-respect de ces instructions peut causer des blessures graves ou des coupures.

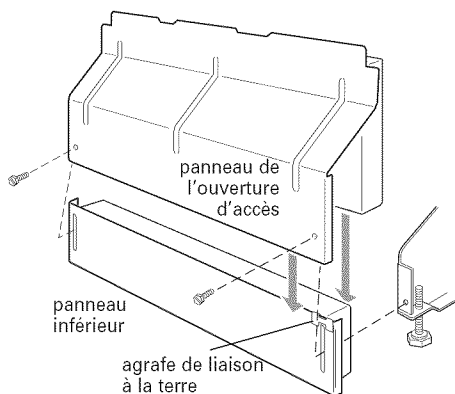
! AVERTISSEMENT

Risque du poids excessif

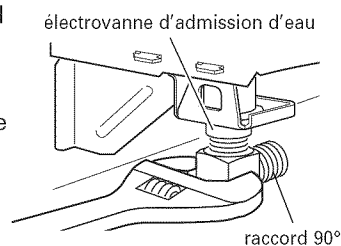
Utiliser deux personnes ou plus pour déplacer et installer le lave-vaisselle.

Le non-respect de cette instruction peut causer une blessure au dos ou d'autre blessure.

- Placer derrière le lave-vaisselle les cornières de carton de l'emballage. Saisir les côtés du cadre de porte du lave-vaisselle et placer le lave-vaisselle en appui sur la face arrière, sur les cornières de carton.
- Ôter les deux vis fixant le panneau de l'ouverture d'accès et le panneau inférieur sur le lave-vaisselle – utiliser une clé à douille de 1/4", un tourne-écrou ou un tournevis Phillips.



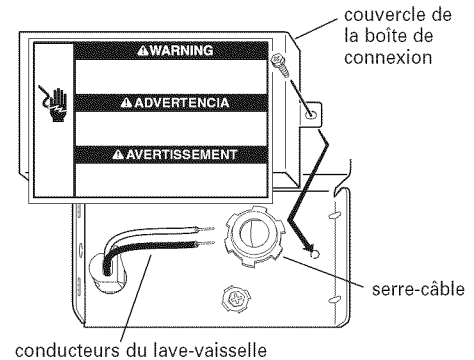
- Placer les panneaux déposés à part, sur une surface protégée.
- Vérifier que l'agrafe de liaison à la terre est fixée sur le panneau inférieur.
- Garnir le filetage du raccord 90° de ruban de Téflon® ou de composé d'étanchéité pour tuyauteries; connecter le raccord sur l'électrovanne d'admission d'eau.



- Serrer le raccord sans forcer; veiller à orienter la sortie du raccord vers l'arrière.

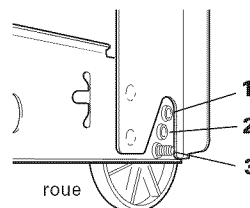
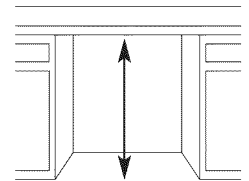
- Ôter le couvercle de la boîte de connexion.

- Dans le cas du câblage direct, installer un serre-câble (homologation UL ou CSA) sur la boîte de connexion. Dans le cas de l'utilisation d'un conduit, installer un connecteur de conduit (homologation UL ou CSA).
- Si l'appareil doit être alimenté par un cordon d'alimentation, installer maintenant le cordon d'alimentation conformément aux instructions fournies avec l'ensemble.



Conseil utile : Conserver une feuille de carton sous le lave-vaisselle jusqu'à son installation dans l'espace d'installation entre les placards. La feuille de carton protégera le plancher durant l'installation.

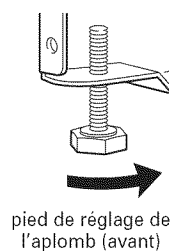
- Mesurer la hauteur libre de l'espace d'installation, sous le plan de travail (au niveau du point le plus bas). Consulter le tableau ci-dessous. Placer les roues de l'appareil à la position appropriée, selon la hauteur mesurée.



Hauteur libre minimale	Position des roues	Nombre de tours de vissage pour les pieds avant
86,4 cm (34")	1	10
87 cm (34-1/4")	2	5
87,6 cm (34-1/2")	3	0

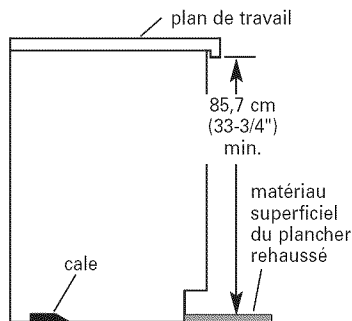
- Ajuster les pieds de réglage de l'aplomb à l'avant (même hauteur).

Si la hauteur libre minimale est inférieure à 86,4 cm (34"), on peut enlever les roues arrière pour pouvoir faire passer le lave-vaisselle sous le plan de travail. On pourra ainsi installer le lave-vaisselle sous le plan de travail si la hauteur libre est de 86 cm (33 7/8"); il sera cependant plus difficile de placer le lave-vaisselle à sa position de service finale. Si on enlève les roues, on devra veiller à protéger le plancher lors des déplacements du lave-vaisselle.



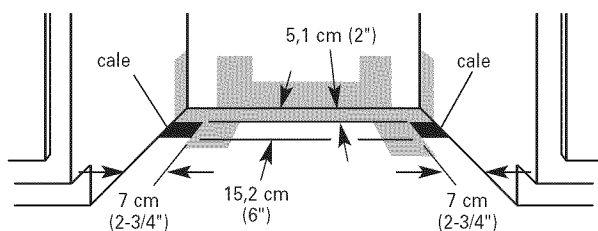
Plancher rehaussé

1. Mesurer la hauteur libre sous le plan de travail au-dessus de l'espace d'installation (entre la face inférieure du plan de travail, et le matériau superficiel du plancher). Si la hauteur libre est de 85,7 cm (33-3/4") ou plus, on pourra insérer le lave-vaisselle dans l'espace d'installation sans modification du plan de travail ou du plancher.



2. Placer les roues à la position 1, et visser (enfoncer) complètement les pieds de réglage de l'aplomb.
3. Ajouter des cales selon le besoin dans la zone indiquée pour placer le lave-vaisselle à la hauteur appropriée.

NOTE : Les cales devront être fixées au plancher pour qu'elles ne puissent bouger durant le fonctionnement du lave-vaisselle.

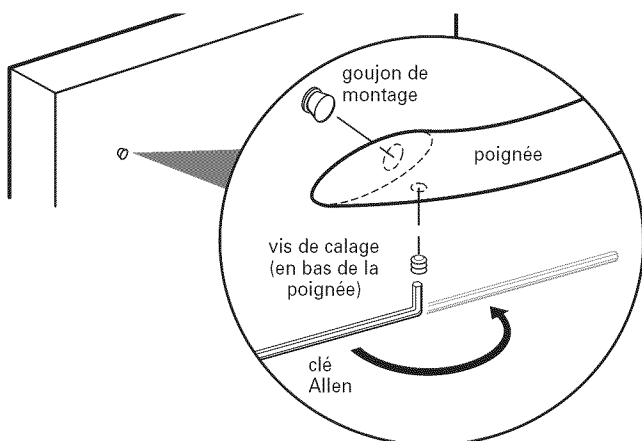


Installation de la poignée de porte

(sur certains modèles)

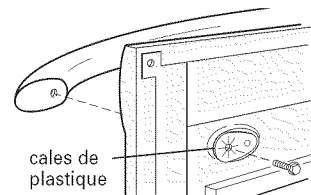
IMPORTANT : Veiller à ne pas érafler le panneau de façade durant ces opérations.

1. Retirer de la boîte de carton la poignée de porte et le sachet de pièces qui contient les vis de calage et la clé Allen.
2. Placer les vis sur la poignée.
3. Placer la poignée sur les goujons de montage -les vis de calage doivent être orientées vers le bas.
4. Appuyer parfaitement la poignée de porte contre la porte. Insérer l'extrémité courte de la clé Allen dans les vis de calage. Serrer chaque vis de calage de 1/4 de tour au-delà de la prise de contact. Conserver la clé Allen avec les instructions d'installation.



Installation de la poignée de porte - Série Pro Line®

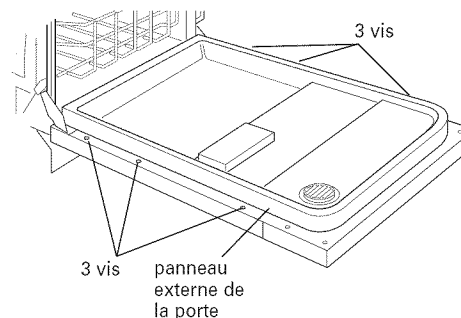
1. Retirer la poignée de la série Pro Line® et les deux vis de l'ensemble de poignée.
2. S'assurer que les cales de plastique sont toujours fixées à la porte.
3. Fixer la poignée sur le panneau avant complet fourni par l'usine tel qu'indiqué.



Installation du panneau de la porte- série Pro Line®

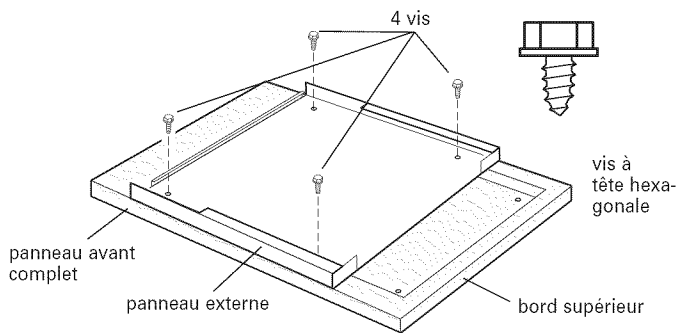
Pour les modèles à événement supérieur à panneau avant complet d'origine en acier inoxydable ou peint :

1. Retirer le carton contenant le panneau avant complet fourni par l'usine.
2. Retirer le paquet de la poignée de l'avant de la base d'expédition.
3. Ôter les trois vis des deux côtés de la porte avec un tournevis TORX®. Tenir le panneau externe vers le haut lors de l'enlèvement des vis. Conserver les vis pour réinstallation.
4. Mettre le panneau externe de côté avec précaution.

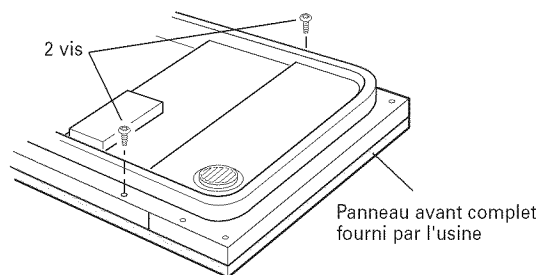


5. Placer le panneau avant complet fourni par l'usine face vers le bas sur une surface protectrice ne provoquant pas de rayures.
6. Placer le panneau externe sur le dos du panneau avant; aligner les trous de vis.

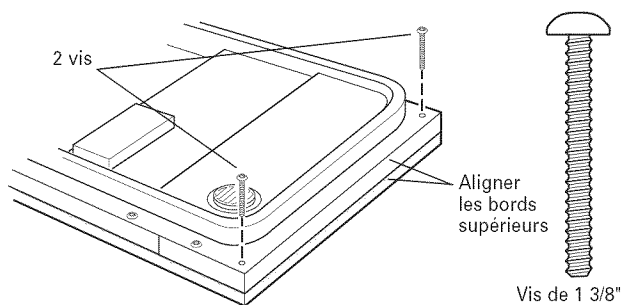
7. Fixer le panneau externe au panneau avant complet tel qu'indiqué et le fixer au moyen des quatre vis n° 10-16 x 3/8" à tête hexagonale se trouvant dans le sachet de documentation.



8. Fixer l'ensemble du panneau à la porte en réinstallant les deux vis latérales supérieures; ne pas les serrer complètement. Ceci retiendra le panneau sur le châssis de la porte.



9. Installer les deux vis n° 8-18 x 1-3/8" (fournies dans le sachet de documents) dans les angles supérieurs (voir l'illustration). Aligner les bords supérieurs pour panneau avant complet et console; serrer les vis des angles.



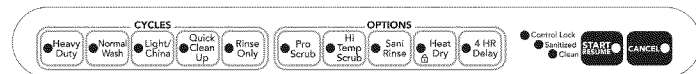
10. Serrer les deux vis latérales réinstallées à l'étape 8.
11. Réinstaller et serrer les trois autres vis latérales.

Dimensions du panneau personnalisé

IMPORTANT : Avant de commander les panneaux de porte personnalisés, il faut connaître le type du tableau de commande du lave-vaisselle.

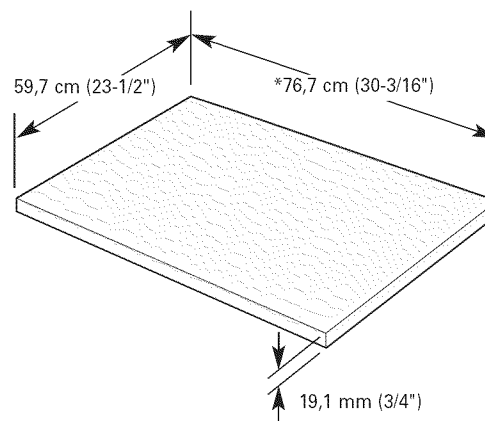
Pour un appareil comportant le tableau de commande représenté ci-dessous :

(modèles KUDS03FTPA and KUDU03FTPA)



(L'illustration ci-dessus peut être légèrement différente de l'aspect réel de l'appareil.)

Dimensions du panneau de porte personnalisé :

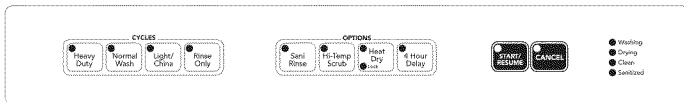


*Cette dimension correspond à la présence d'un panneau de plinthe de 10,2 cm (4"). Si la configuration d'installation implique un panneau de plinthe plus haut, ajuster en conséquence la hauteur du panneau de bois. Ce produit n'est pas recommandé pour l'installation avec un panneau de plinthe de hauteur supérieure à 15,2 cm (6").

Exécuter les instructions présentées pour l'option n° 1 de la section « Installation du panneau personnalisé ».

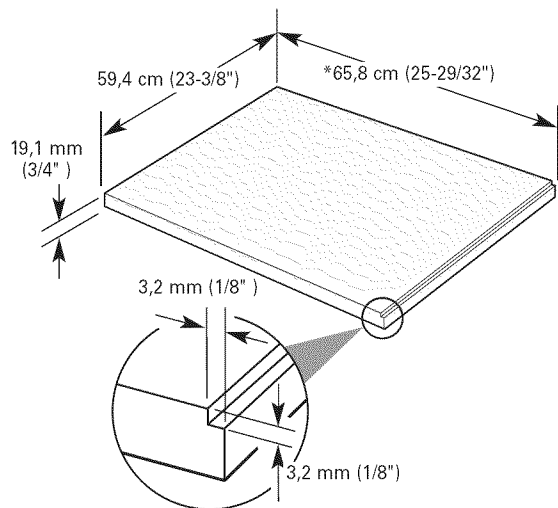
Pour un appareil comportant le tableau de commande représenté ci-dessous :

(Modèles KUDC03IT, KUDK03IT and KUDL03IT)



(L'illustration ci-dessus peut être légèrement différente de l'aspect réel de l'appareil.)

Dimensions du panneau de porte personnalisé :



*Cette dimension correspond à la présence d'un panneau de plinthe de 10,2 cm (4"). Si la configuration d'installation implique un panneau de plinthe plus haut, ajuster en conséquence la hauteur du panneau de bois. Ce produit n'est pas recommandé pour l'installation avec un panneau de plinthe de hauteur supérieure à 15,2 cm (6").

Exécuter les instructions présentées pour l'option n° 2 de la section « Installation du panneau personnalisé ».

Installation du panneau personnalisé

Option 1 : Pour les modèles KUDS03FTPA and KUDU03FTPA

NOTE : La poignée du panneau personnalisé n'est pas incluse.

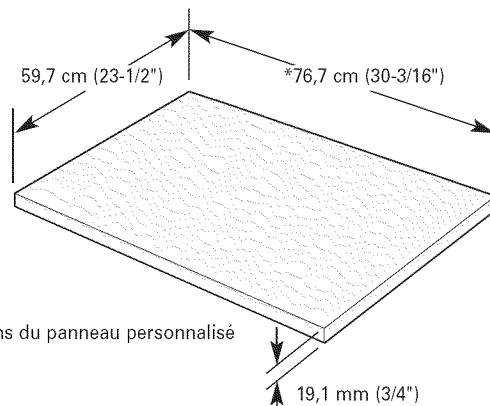
IMPORTANT : Si la poignée est fixée par l'arrière du panneau personnalisé, on doit fraiser l'extrémité des trous de passage des vis pour établir l'affleurement entre la tête de chaque vis et la surface du panneau. Si la poignée est fixée par l'avant du panneau personnalisé, on doit veiller à ce que la longueur des vis ne soit pas supérieure à l'épaisseur du panneau. Pour d'autres informations concernant le choix des poignées KitchenAid pour panneaux personnalisés, voir le catalogue KitchenAid, consulter le site www.kitchenaid.com, ou téléphoner à 1-800-422-1230.

NOTE : Le poids d'un panneau de façade fourni par le client ne doit pas dépasser 7,3 kg (16 lb); les dimensions du panneau doivent être conformes aux dimensions spécifiques indiquées. Du fait de la précision nécessaire, il est recommandé que le découpage du panneau personnalisé soit exécuté par un ébéniste.

NOTE : Toutes les pièces de quincaillerie fournies ont été choisies pour un panneau de bois d'épaisseur 19,1 mm (3/4"). En cas d'emploi d'un panneau moins épais, ou fait d'un matériau autre que le bois, c'est au client qu'incombe la responsabilité d'obtenir des vis de longueur appropriée et d'ajuster en conséquence la taille des avant-trous.

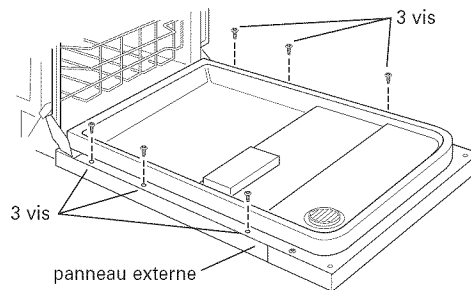
IMPORTANT : Appliquer un bouche-pores résistant à l'humidité sur les deux faces et sur chaque chant du panneau, pour la protection contre l'humidité.

1. Utiliser un tournevis TORX® pour enlever trois vis sur les deux côtés (voir l'illustration); maintenir le panneau externe vertical pendant l'extraction des vis. Conserver les vis pour la réinstallation.



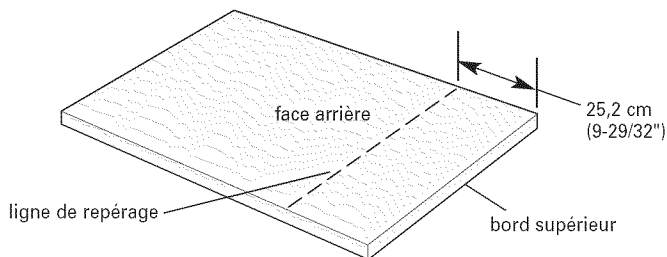
dimensions du panneau personnalisé

*Cette dimension correspond à la présence d'un panneau de plinthe de 10,2 cm (4"). Si la configuration d'installation implique un panneau de plinthe plus haut, ajuster en conséquence la hauteur du panneau de bois. Ce produit n'est pas recommandé pour l'installation avec un panneau de plinthe de hauteur supérieure à 15,2 cm (6").

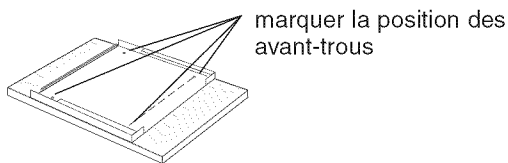


2. Placer délicatement le panneau externe à part.

- Placer le panneau personnalisé fourni par le client face vers le bas sur une surface protégée (protection contre les éraflures).
- Sur la face arrière du panneau personnalisé fourni par le client, mesurer une distance de 25,2 cm (9-29/32") depuis le bord supérieur et tracer une ligne de repérage.



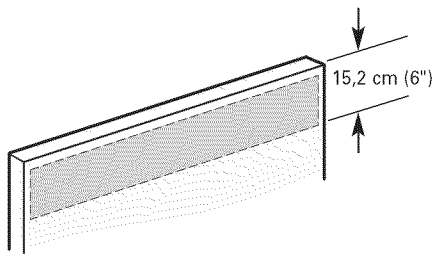
- Positionner le panneau externe sur la face arrière du panneau personnalisé fourni par le client (voir l'illustration); veiller à aligner les trous supérieurs du panneau externe et à centrer les deux panneaux côte à côte.
- Marquer la position des quatre trous; ôter le panneau externe. Percer des avant-trous de 3/32" de profondeur 13 mm (1/2") dans le panneau personnalisé fourni par le client.



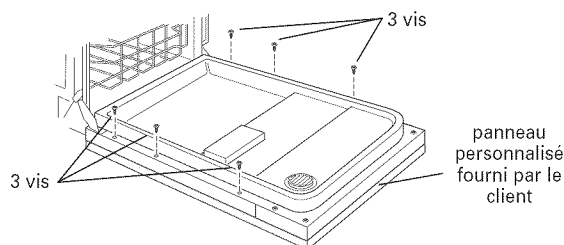
- Placer le panneau externe sur la face arrière du panneau personnalisé fourni par le client; aligner les trous.
- Fixer le panneau externe sur la face arrière du panneau personnalisé fourni par le client – utiliser les quatre vis à tête hexagonale n° 10-16 x 3/8" (fournies dans le sachet de documents).
- Fixer la poignée. Veiller à centrer la poignée sur la face avant du panneau personnalisé fourni par le client, dans la zone indiquée sur l'illustration.



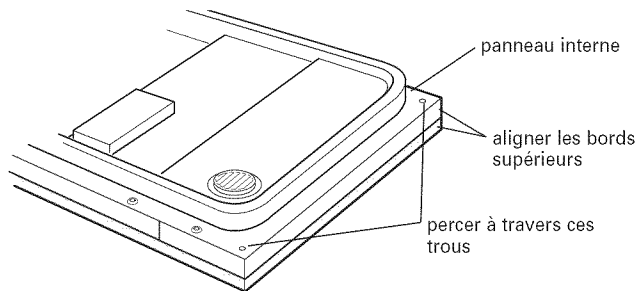
IMPORTANT : On doit veiller à placer chaque vis en affleurement avec la face arrière du panneau personnalisé fourni par le client.



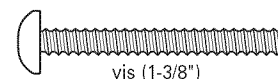
- Fixer le panneau sur la porte : placer les trois vis sur chaque côté; ne pas serrer complètement; le panneau sera ainsi maintenu en place sur le cadre de la porte.



- Aligner le bord supérieur du panneau personnalisé fourni par le client avec le sommet de la console.
- Percer deux avant-trous de 3/32" de profondeur 13 mm (1/2") dans le panneau personnalisé fourni par le client, à travers les trous des angles supérieurs du panneau interne (voir l'illustration).



- Placer les deux vis n° 8-18 x 1-3/8" (fournies dans le sachet de documents) dans les angles supérieurs du panneau interne.



- Serrer les six vis latérales réinstallées à l'étape 10.

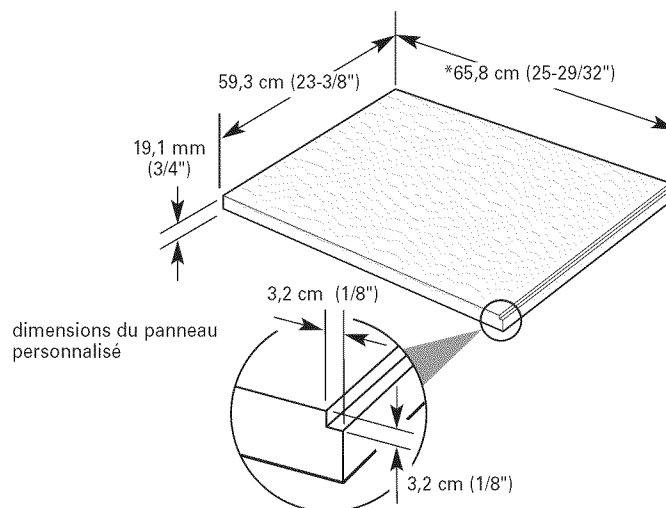
Option 2 : Pour les modèles KUDC03IT, KUDK03IT, KUDL03IT

Pour tous les modèles, un accessoire est nécessaire pour la fixation des panneaux personnalisés. Les trousseaux n° 8171555 (noir), 8171556 (blanc) ou 8171557 (biscuit) sont disponibles. Pour commander, contacter le service à la clientèle au 800-444-1230.

NOTE : Le poids d'un panneau de façade fourni par le client ne doit pas dépasser 6,3 kg (14 lb); les dimensions du panneau doivent être conformes aux dimensions spécifiques indiquées. Du fait de la précision nécessaire, il est recommandé que le découpage du panneau personnalisé soit exécuté par un ébéniste.

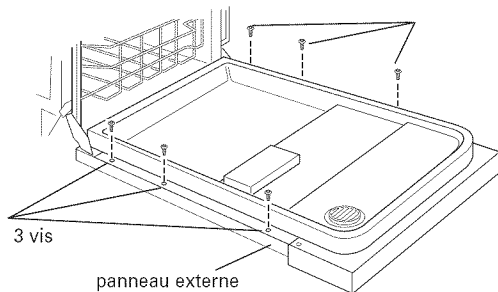
IMPORTANT : Appliquer un bouche-pores résistant à l'humidité sur les deux faces et sur chaque chant du panneau, pour la protection contre l'humidité.

NOTE : Les dimensions correspondent aux modèles de panneau personnalisé sans cadre avec une console de 10,2 cm (4") uniquement.

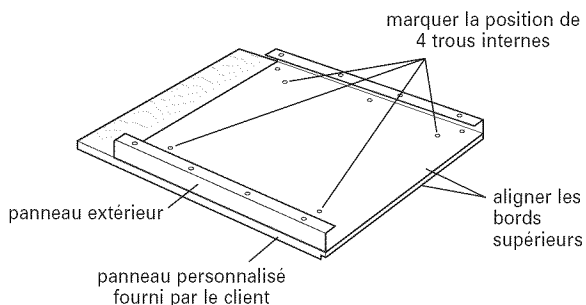


*Cette dimension correspond à la présence d'un panneau de plinthe de 10,2 cm (4"). Si la configuration d'installation implique un panneau de plinthe plus haut, ajuster en conséquence la hauteur du panneau de bois. Ce produit n'est pas recommandé pour l'installation avec un panneau de plinthe de hauteur supérieure à 15,2 cm (6").

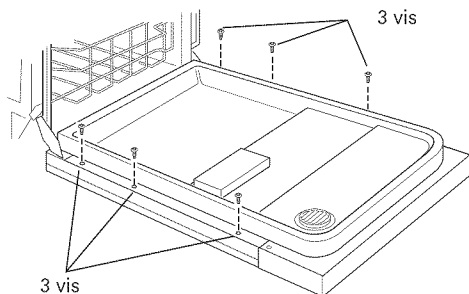
1. Utiliser un tournevis TORX® pour enlever trois vis sur les deux côtés; maintenir le panneau externe vertical pendant l'extraction des vis.



2. Placer délicatement le panneau externe à part.
3. Placer le panneau personnalisé fourni par le client face vers le bas sur une surface protégée (protection contre les éraflures).
4. Positionner le panneau externe sur la face arrière du panneau personnalisé fourni par le client (voir l'illustration); veiller à aligner les trous supérieurs du panneau externe et à centrer les deux panneaux côte à côte.



5. Marquer la position des quatre trous; ôter le panneau externe. Percer des avant-trous de 3/32" de profondeur 13 mm (1/2") dans le panneau personnalisé fourni par le client.
6. Placer le panneau externe sur la face arrière du panneau personnalisé fourni par le client; aligner les trous.
7. Fixer le panneau externe sur la face arrière du panneau personnalisé fourni par le client – utiliser quatre vis à bois n° 10 x 1/2" (non fournies). Si l'épaisseur du panneau personnalisé fourni par le client est inférieure à 1,9 cm (3/4"), des vis plus courtes peuvent être nécessaires.
8. Fixer le panneau sur la porte : placer les trois vis sur chaque côté.



Choix de la méthode d'immobilisation de l'appareil

⚠ AVERTISSEMENT

Risque du poids excessif

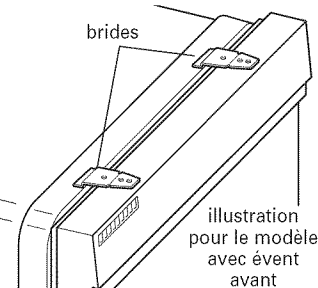
Utiliser deux personnes ou plus pour déplacer et installer le lave-vaisselle.

Le non-respect de cette instruction peut causer une blessure au dos ou d'autre blessure.

Avec la participation de deux personnes ou plus, placer le lave-vaisselle verticalement.

Option 1 - Fixation sur le plan de travail

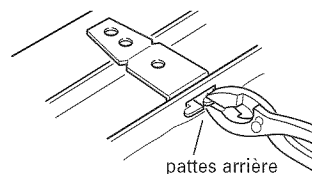
Le lave-vaisselle doit être assujéti aux placards. Il y a au sommet du lave-vaisselle deux brides qu'on peut fixer au plan de travail s'il est fait de bois ou d'un matériau lamifié à base de bois ou matériau similaire. S'il est fait de marbre, granite ou d'un autre matériau dur, ceci n'est pas on pourra déplacer les brides pour les installer sur les côtés du lave-vaisselle.



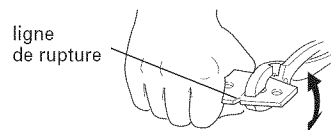
NOTE : Ne pas fixer le lave-vaisselle. Ceci sera effectué plus tard.

Option 2 - Fixation du lave-vaisselle par les côtés (plan de travail de marbre, granite ou autre matériau dur)

1. Dépose des brides au sommet : redresser/aplatir l'extrémité arrière de la bride avec une pince et tirer la bride pour pouvoir l'extraire de son logement.



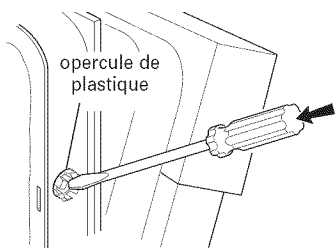
2. Briser l'extrémité de la bride le long de la ligne de rupture.



3. Alors qu'une autre personne retient l'appareil pour l'empêcher de basculer, ouvrir la porte du lave-vaisselle; placer une serviette sur la pompe et la rampe d'aspersion; ceci empêchera une vis qui tomberait dans la cuve, lors de la fixation du lave-vaisselle au placard, d'atteindre la zone de la pompe.

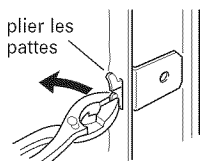
4. Extraire les opercules de plastique sur les côtés de la cuve.

NOTE : Conserver les opercules pour reboucher les trous après l'installation du lave-vaisselle.



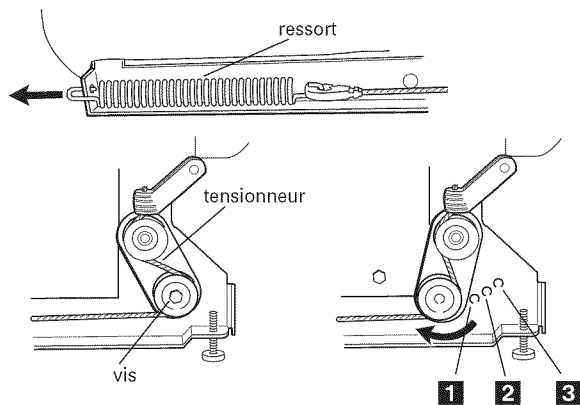
5. Enfoncer la bride dans le logement sur le côté du lave-vaisselle; plier les pattes vers le côté du lave-vaisselle pour que la bride reste en place. Répéter cette étape pour l'autre côté du lave-vaisselle.

NOTE : Ne pas déjà fixer le lave-vaisselle; ceci sera effectué plus tard.



Contrôle de la tension des ressorts de la porte

1. Alors qu'une autre personne retient l'appareil pour l'empêcher de basculer, ouvrir et refermer la porte plusieurs fois. Si la porte peut se fermer ou s'ouvrir sous l'effet de son propre poids, il sera nécessaire d'ajuster la tension des ressorts.
2. Pour ajuster la tension d'un ressort de la porte, décrocher le ressort du pied arrière du lave-vaisselle.
3. Avec un tourne-écrou ou une clé à douille de 5/16", ôter la vis du tensionneur.
4. On peut placer la vis dans l'un des trois trous (1, 2, 3) dans le pied avant du lave-vaisselle. Si la porte peut se fermer par elle-même, accrocher le ressort dans un trou de numéro plus élevé, et réinstaller la vis. Lorsque la porte n'est pas verrouillée, si elle peut s'ouvrir par elle-même, accrocher le tensionneur dans un trou de numéro moins élevé puis réinstaller la vis.
5. Raccrocher le ressort de la porte au pied arrière. On doit utiliser les mêmes trous pour les deux tensionneurs, de chaque côté de la porte.



Insertion du lave-vaisselle dans l'espace d'installation

⚠ AVERTISSEMENT

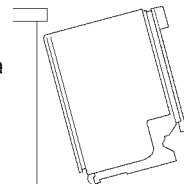
Risque du poids excessif

Utiliser deux personnes ou plus pour déplacer et installer le lave-vaisselle.

Le non-respect de cette instruction peut causer une blessure au dos ou d'autre blessure.

1. Saisir les côtés du lave-vaisselle, par les bords du panneau de porte.
2. Incliner le lave-vaisselle vers l'arrière sur ses roues, et approcher l'appareil de l'ouverture d'insertion. Ne pas pousser sur l'avant du panneau ou sur la console – ceci pourrait faire subir des dommages à l'appareil.
3. Si le lave-vaisselle est alimenté par un cordon d'alimentation, insérer le cordon d'alimentation dans le trou découpé dans le placard.
Dans le cas du câblage direct, vérifier que le câble d'alimentation est sur le côté avant droit de l'espace d'installation.
4. Vérifier que la canalisation d'eau est sur le côté gauche de l'espace d'installation, et que le tuyau d'évacuation est près du centre du trou percé dans le placard.

5. Insérer lentement et complètement le lave-vaisselle dans l'espace d'installation entre les placards. Veiller à ne pas coincer ou déformer le tube de cuivre, le tuyau d'évacuation, le cordon d'alimentation ou le câble de raccordement direct entre le lave-vaisselle et le placard.



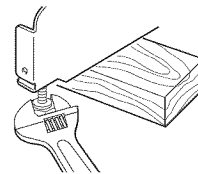
Conseil utile : Lorsque le lave-vaisselle est à sa position de service, il peut être nécessaire de soutenir l'avant – soulever/abaisser ou caler les pieds avant.

6. Enlever la feuille de carton placée sous le lave-vaisselle.

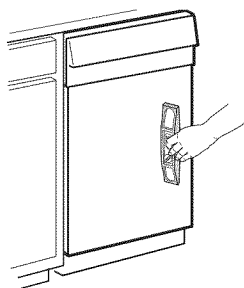
NOTE : Il n'y a pas d'objection à ce qu'il n'y ait que peu d'espace entre le lave-vaisselle et les placards. Ne pas enlever le garnissage d'insonorisation/isolation.

Établissement de l'aplomb du lave-vaisselle

1. Aligner l'avant du panneau de porte du lave-vaisselle avec les portes des placards. Cela pourrait nécessiter un léger déplacement du lave-vaisselle.
Conseil utile : Durant le réglage de la hauteur des pieds avant, soulever un côté du châssis du lave-vaisselle pour séparer le pied du plancher.
2. Vérifier que chaque pied de réglage de l'aplomb est fermement en appui sur le sol.



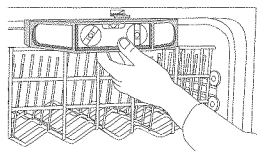
3. Fermer et verrouiller la porte; placer un niveau contre le panneau avant. Vérifier l'aplomb du lave-vaisselle. Si nécessaire, ajuster la hauteur des pieds de réglage de l'aplomb ou ajouter des cales sous les roues arrière pour établir l'aplomb correct du lave-vaisselle.



4. Répéter ces opérations pour l'autre côté du lave-vaisselle.

NOTE : Pour éviter tout déplacement des cales durant le fonctionnement du lave-vaisselle, il est nécessaire de fixer fermement les cales au plancher.

5. Placer le niveau contre la partie supérieure de la cuve, à l'avant; vérifier l'aplomb transversal de l'appareil. Si le lave-vaisselle n'est pas d'aplomb, ajuster la hauteur des pieds réglables avant pour établir l'aplomb.



Raccordement électrique

Voir la section "Spécifications électriques".

On doit disposer :

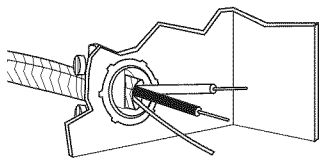
- d'une source d'électricité appropriée, et d'une liaison à la terre selon la méthode recommandée.

Pour :

- le câblage direct, utiliser l'option 1.
- l'alimentation par un cordon d'alimentation, utiliser l'option 2.

Option 1 - Câblage direct

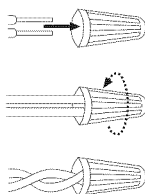
1. Acheminer le câble d'alimentation de telle manière qu'il ne touche pas le moteur du lave-vaisselle ni la partie inférieure de la cuve du lave-vaisselle.



2. Insérer les conducteurs du câble dans la boîte de connexion, à travers le trou.

Conseil utile :

- Sélectionner des connecteurs de fils de taille appropriée pour le raccordement des conducteurs de l'appareil (calibre 16) au câblage de la maison.
- Insérer les extrémités des conducteurs dans le connecteur. Ne pas pré-torsader les conducteurs nus.
- Visser le connecteur.
- Tirer doucement sur les conducteurs pour vérifier la solidité de la connexion.



3. Utiliser des connecteurs de fils de taille appropriée pour le raccordement des conducteurs de l'appareil (calibre 16) au câblage de la maison, et réaliser les raccordements comme suit :

Câble d'alimentation		Conducteur dans la boîte de connexion
blanc	↔	blanc
noir	↔	noir
Liaison à la terre	↔	Connecteur de liaison à la terre

⚠ AVERTISSEMENT



Risque de choc électrique

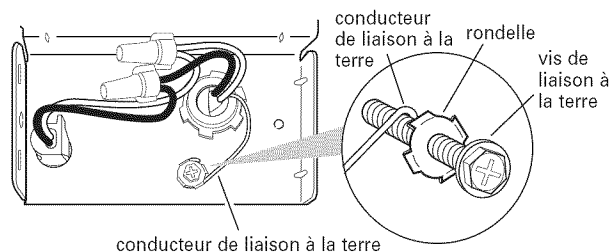
Relier le lave-vaisselle à la terre d'une méthode électrique.

Brancher le fil relié à la terre au connecteur vert relié à la terre dans la boîte de la borne.

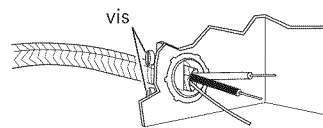
Ne pas utiliser un câble de rallonge.

Le non-respect de ces instructions peut causer un décès, un incendie ou un choc électrique.

4. À l'extrémité du conducteur nu de liaison à la terre, former un crochet en U; placer le crochet du conducteur de liaison à la terre (dans le sens horaire) autour de la vis de liaison à la terre et sous la rondelle.
5. Serrer fermement la vis de liaison à la terre.



6. Serrer les vis de bridage du serre-câble ou du connecteur de conduit.



7. Réinstaller le couvercle de la boîte de connexion – enfermer les conducteurs à l'intérieur de la boîte. Le couvercle doit être placé à l'extérieur de la boîte de connexion, sur le côté gauche.



8. Veiller à ce qu'aucun conducteur ne soit coincé entre le couvercle et la boîte.

Option 2 - Raccordement par cordon d'alimentation

⚠️ AVERTISSEMENT



Risque de choc électrique

Brancher sur une prise à 3 alvéoles reliée à la terre.

Ne pas enlever la broche de liaison à la terre.

Ne pas utiliser un adaptateur.

Ne pas utiliser un câble de rallonge.

Le non-respect de ces instructions peut causer un décès, un incendie ou un choc électrique.

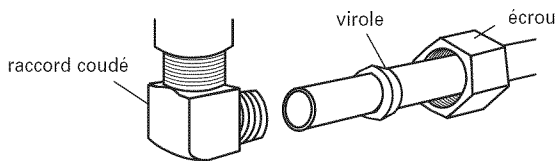
1. Brancher la fiche sur une prise de courant à 3 alvéoles, reliée à la terre.
2. Vérifier l'absence de tout contact entre le cordon d'alimentation et le moteur du lave-vaisselle ou la partie inférieure de la cuve du lave-vaisselle.

Raccordement à la canalisation d'eau

Conseil utile :

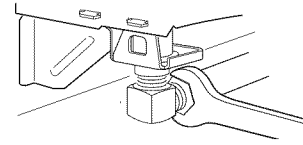
Raccord à compression :

- a. Enfiler l'écrou sur le tube de cuivre, sur environ 2,5 cm (1").
- b. Enfiler la virole sur le tube. Ne pas positionner la virole à l'extrémité du tube.
- c. Insérer le tube dans le raccord coudé, aussi loin qu'il peut aller.
- d. Faire glisser l'écrou et la virole vers l'avant et visser l'écrou sur le filetage du raccord coudé. Manipuler délicatement le tube de cuivre lors de l'opération de positionnement; il est malléable et il peut facilement se déformer.



1. Pour réduire les effets de vibration du tuyau durant le fonctionnement, maintenir une séparation entre le tuyau et le moteur, la base ou le châssis de l'appareil.

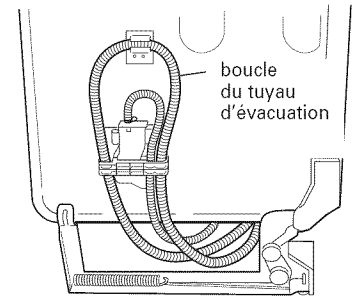
2. Alors que le tube de cuivre a été enfoncé aussi loin qu'il pouvait aller dans le raccord, utiliser une clé pour serrer l'écrou sur le raccord coudé installé sur l'électrovanne d'admission d'eau.



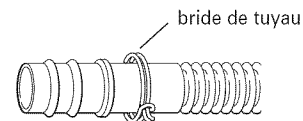
3. Placer une serviette de papier sous le raccord coudé. Ouvrir l'arrivée d'eau et inspecter pour identifier toute fuite.

Raccordement à la canalisation d'évacuation

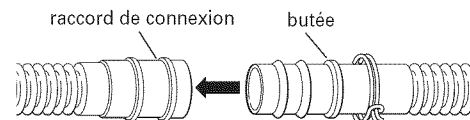
1. Pour minimiser toute vibration, acheminer le conduit d'évacuation de telle manière qu'il n'y ait aucun contact avec le moteur, les ressorts de la porte, la canalisation d'eau, le placard, le plancher ou la circonférence du trou de passage à travers la paroi du placard.



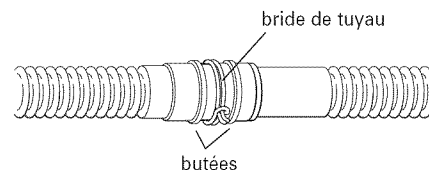
2. Ne pas détacher du lave-vaisselle la boucle formée par le tuyau d'évacuation sur le côté de l'appareil.
3. Placer un plat sous l'extrémité du tuyau d'évacuation pour y recueillir toute eau qui s'écoulerait du tuyau.
4. Placer la petite bride sur la petite extrémité du tuyau d'évacuation.



5. Enfoncer le tuyau d'évacuation dans le raccord de connexion, jusqu'à la butée.



6. Avec une pince, ouvrir la bride de serrage et placer la bride sur le raccord de connexion, entre les butées (voir l'illustration).



Immobilisation du lave-vaisselle dans l'espace d'installation

⚠ AVERTISSEMENT



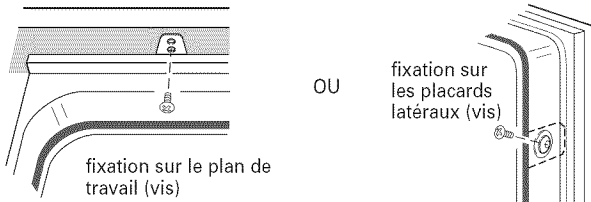
Risque de basculement

Ne pas utiliser le lave-vaisselle jusqu'à ce qu'il soit complètement installé.

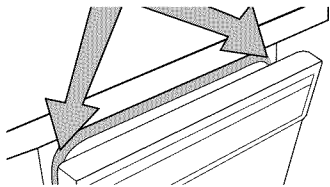
Ne pas appuyer sur la porte ouverte.

Le non-respect de ces instructions peut causer des blessures graves ou des coupures.

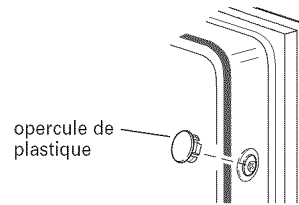
1. Si cela n'a pas déjà été fait, ouvrir la porte du lave-vaisselle et placer une serviette sur la pompe et la rampe d'aspersion; ceci empêchera une vis qui tomberait dans la cuve, lors de la fixation du lave-vaisselle au plan de travail, d'atteindre la zone de la pompe.
2. Contrôler le bon aplomb du lave-vaisselle, et le centrage latéral de l'appareil dans l'ouverture.
3. Assujettir le lave-vaisselle sur le plan de travail ou sur les côtés des placards avec deux vis Phillips n° 10 x 1/2". Il faut que le lave-vaisselle soit immobilisé pour qu'il ne bascule pas lors de l'ouverture de la porte. Veiller à ne laisser tomber aucune vis dans le lave-vaisselle.



4. Entrouvrir la porte d'environ 7,6 cm (3"); vérifier que l'espace entre la doublure interne de la porte et la cuve est identique des deux côtés. Si l'espace n'est pas identique des deux côtés, desserrer les vis des brides d'arrimage et déplacer légèrement la cuve. Resserrer les vis.
5. Si une fixation sur le plan de travail est utilisée pour immobiliser le lave-vaisselle, vérifier qu'il n'y a aucun contact entre le sommet de la porte et les vis, les brides ou le plan de travail. S'il y a un contact, on doit abaisser le lave-vaisselle puis établir de nouveau l'aplomb de l'appareil.



6. Dans le cas de la fixation sur les placards latéraux, vérifier que les côtés de la porte ne frottent pas contre les têtes de vis. S'il y a frottement, centrer à nouveau le lave-vaisselle. Une fois le lave-vaisselle correctement centré, réinstaller les opercules de plastique.

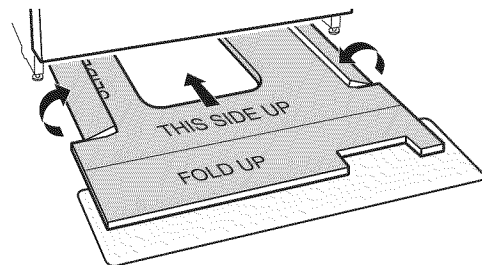


7. Retirer la serviette du lave-vaisselle.
8. Réinstaller le panier à vaisselle inférieur.

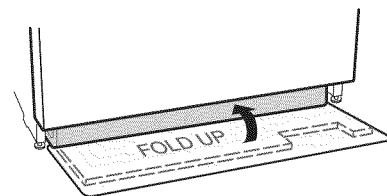
Installation du panneau d'insonorisation inférieur (sur certains modèles)

1. Retirer du lave-vaisselle le panneau d'insonorisation qui a été placé; retirer le panneau d'insonorisation de son sachet de plastique.
2. Placer le panneau d'insonorisation sur le plancher devant le lave-vaisselle; veiller à ce que les instructions soient orientées vers le haut et à ce que la face de vinyle soit orientée vers le bas.
3. Redresser les sections latérales vers le haut; rabattre les sections latérales vers l'intérieur, vers le plancher. Faire glisser prudemment le panneau d'insonorisation vers l'arrière du lave-vaisselle, aussi loin qu'il peut aller; veiller à ne déplacer aucun câble ou tuyau (ne pas forcer). Les sections latérales se remettront en place lorsque le panneau sera à la position correcte.

NOTE : Si le panneau d'insonorisation rencontre une tuyauterie ou autre obstruction qui traverse le plancher, il sera nécessaire de couper une fente dans le panneau pour accommoder cette obstruction.

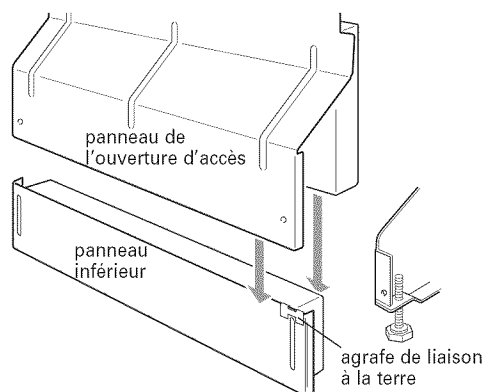


4. Relever la section avant du panneau pour la mettre en place. Veiller à ce que le panneau de vinyle soit parfaitement inséré derrière la porte et les pieds avant du lave-vaisselle (voir l'illustration).

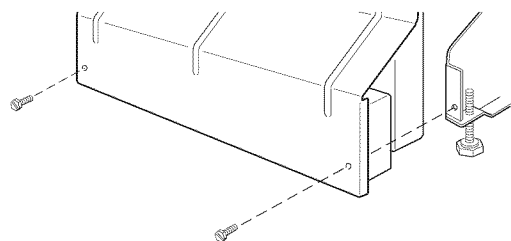


Dernières opérations de l'installation

1. Vérifier que l'agrafe de liaison à la terre est fixée sur le panneau inférieur.
2. Placer le panneau inférieur derrière le panneau de l'ouverture d'accès. Sur certains modèles, il y a sur le panneau de l'ouverture d'accès un matériau isolant qui devra être inséré derrière l'isolant du panneau inférieur.



3. Maintenir les deux panneaux ensemble et placer les deux panneaux contre les pieds du lave-vaisselle et la face de vinyle.
4. Réinstaller les vis à travers les trous du panneau de l'ouverture d'accès et les fentes du panneau inférieur. Installer d'abord la vis du côté droit.



5. Vérifier que le bord inférieur du panneau inférieur est au contact du plancher.
6. Serrer les vis.

Alimentation de l'appareil par câblage direct :

⚠ AVERTISSEMENT



Risque de choc électrique

Relier le lave-vaisselle à la terre d'une méthode électrique.

Brancher le fil relié à la terre au connecteur vert relié à la terre dans la boîte de la borne.

Ne pas utiliser un câble de rallonge.

Le non-respect de ces instructions peut causer un décès, un incendie ou un choc électrique.

Alimentation de l'appareil par cordon d'alimentation :

⚠ AVERTISSEMENT



Risque de choc électrique

Brancher sur une prise à 3 alvéoles reliée à la terre.

Ne pas enlever la broche de liaison à la terre.

Ne pas utiliser un adaptateur.

Ne pas utiliser un câble de rallonge.

Le non-respect de ces instructions peut causer un décès, un incendie ou un choc électrique.

7. Brancher l'appareil ou reconnecter la source de courant électrique.

Contrôle du fonctionnement

1. Lire le manuel d'utilisation et d'entretien fourni avec l'appareil.
2. Vérifier que toutes les pièces ont été installées et qu'aucune étape n'a été omise.
3. Vérifier la présence de tous les outils utilisés.
4. Mettre le lave-vaisselle en marche et commander l'exécution complète du programme de lavage le plus court. Après les deux premières minutes, déverrouiller la porte; attendre cinq secondes, puis ouvrir la porte.
5. Vérifier la présence d'eau au fond de la cuve. Vérifier que l'appareil fonctionne correctement.
6. Si ce n'est pas le cas, débrancher l'appareil ou déconnecter la source de courant électrique et consulter la section "Si le lave-vaisselle ne fonctionne pas correctement".

Si le lave-vaisselle ne fonctionne pas correctement

Essayer d'abord les solutions suggérées ici pour éviter le coût d'une intervention de dépannage.

- Disjoncteur ouvert ou fusible grillé?
- Porte bien fermée et verrouillée?
- Sélection correcte du programme sur l'appareil?
- Arrivée d'eau ouverte?

Si ces contrôles ne permettent pas de résoudre l'anomalie, téléphoner au 1-800-422-1230.

