

# Installation Instructions

# Built-in Trim Kit

MWTRMKT27 and MWTRMKT30

## BEFORE YOU BEGIN

- **IMPORTANT** – Save these instructions for local inspector's use.
- **IMPORTANT** – Observe all governing codes and coordinates.
- **Note to Installer** – Be sure to leave these instructions with the Consumer.
- **Note to Consumer** – Keep these instructions for future reference.
- **Skill level** - Installation of this appliance requires basic mechanical and electrical skills.

*Read these instructions completely and carefully.*

- Proper installation is the responsibility of the installer.
- Product failure due to improper installation is not covered under the Warranty.
- Unplug the microwave oven before attempting installation of this kit.
- Because the kit includes metal parts, caution should be used in handling and installation to avoid the possibility of injury.
- Do not remove permanently affixed labels, warnings, or plates from the product. This may void the warranty.

## FOR YOUR SAFETY:

**WARNING** – Before beginning the installation, switch power off at service panel and lock the service disconnecting means to prevent power from being switched on accidentally. When the service disconnecting means cannot be locked, securely fasten a prominent warning device, such as a tag, to the service panel.

## QUESTIONS?

For customers in the United States call: 1-800-944-9044

For customers in Canada call: 1-800-213-9397 (English)  
1-800-668-4606 ext.8199 (French)

Visit our Website at: [www.frigidaire.com](http://www.frigidaire.com)

**READ CAREFULLY.**

**KEEP THESE INSTRUCTIONS.**

## IMPORTANT - PLEASE READ AND FOLLOW

**THIS BUILT-IN KIT IS DESIGNED FOR USE ONLY WITH ELETROLUX MICROWAVE OVENS SPECIFYING BUILT-IN KIT**

MWTRMKT27 OR MWTRMKT30 ON THE RATING LABEL ON THE LEFT SIDE WALL OF THE MICROWAVE OVEN CAVITY.

IF YOUR LOWER CONVENTIONAL OVEN IS NOT LISTED IN THE USE AND CARE MANUAL OF THE MICROWAVE OVEN, THEN DO NOT INSTALL THE MICROWAVE OVEN ABOVE IT OR IN ANY AREA WHERE HEAT AND STEAM ARE GENERATED; FOR EXAMPLE, NEXT TO OR ABOVE A CONVENTIONAL RANGE.

# Installation Instructions

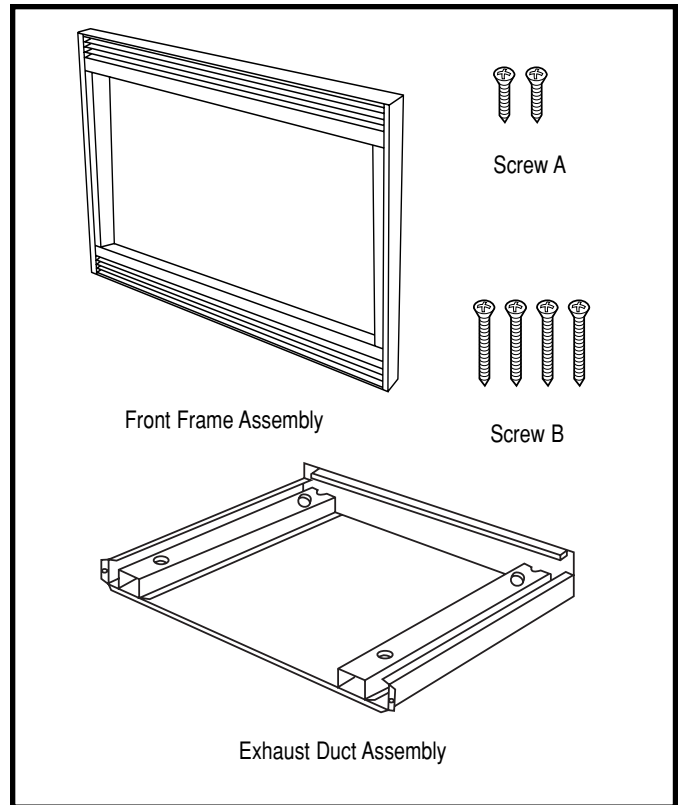
## PARTS INCLUDED IN THE KIT

1. Front Frame Assembly - QTY 1
2. Exhaust Duct Assembly - QTY 1
3. Screw A - QTY 2
4. Screw B - QTY 4

## CABINET OR WALL CUTOUT

### Cutout Dimensions

Height (A)	
Minimum	16 <sup>3</sup> / <sub>4</sub> " (42.5 cm)
Maximum	17" (43.2 cm)
Width (B)	
Minimum	24 <sup>3</sup> / <sub>8</sub> " (61.9 cm)
Maximum	24 <sup>11</sup> / <sub>16</sub> " (62.7 cm)
Depth (C)	
Minimum	20" (50.8 cm)



## ELECTRICAL OUTLET LOCATION

Outlet should NOT be in the shaded area as indicated on Illustration 1

### NOTE 1:

If the Depth (C) dimension is greater than 21" (53.3 cm), the outlet location may be in any area on the rear wall.

### NOTE 2:

The floor of the opening should be constructed of plywood strong enough to support the weight of the oven and floor load (approximately 100 pounds). The floor should be level for proper operation of the oven. Be sure to check the local building code as it may require that the opening be enclosed with side, ceiling and rear partition. The proper functioning of the oven does not require the enclosure.

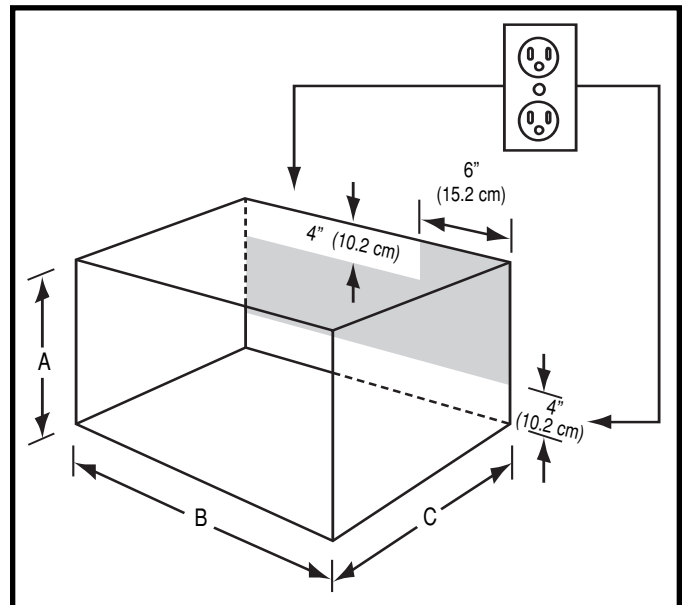


Illustration 1

# Installation Instructions

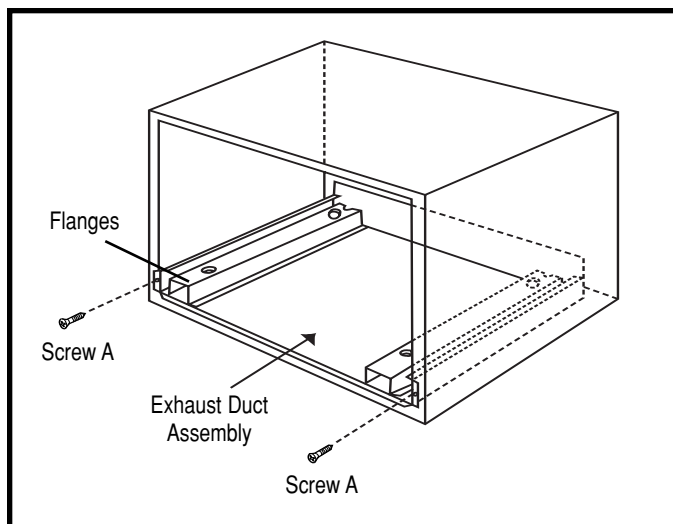


Illustration 2

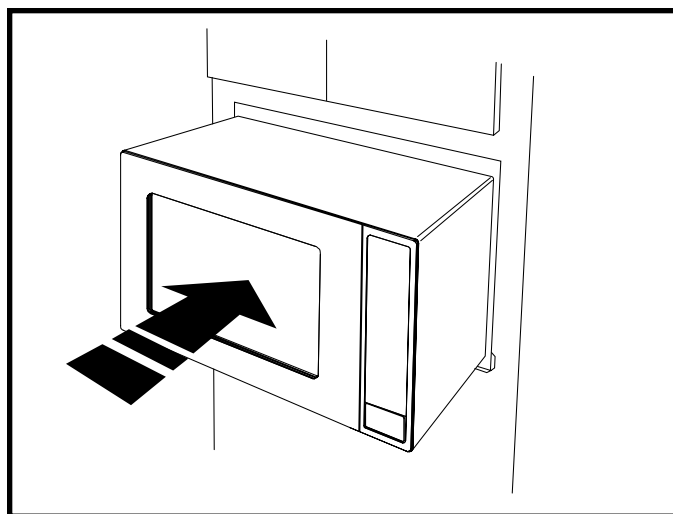


Illustration 3

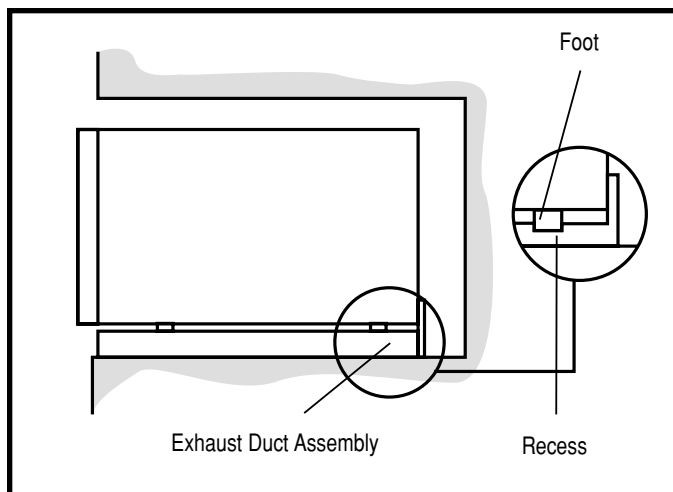


Illustration 4

## EXHAUST DUCT ASSEMBLY

1. Place the Exhaust Duct in the opening. When the Exhaust Duct Assembly is in the opening correctly, the flanges will be tightly against the lower edge of the opening. See Illustration 2.
2. Secure the Exhaust Duct Assembly with the two screws A.  
**IMPORTANT:** Secure screws in outer hole.

## FRAME INSTALLATION

1. Place the oven adjacent to the wall or cabinet opening. Plug the power cord into the electrical outlet.
2. Carefully guide the assembled oven into the prepared opening. Slide the oven on the Exhaust Duct Assembly. See Illustration 3. Avoid pinching the cord between the oven and the wall. Adjust the position of the oven so that the feet of the oven are fitted into the recesses of the Exhaust Duct Assembly. See Illustration 4.
3. Position the FRAME ASSEMBLY to be square with the oven. Carefully place the FRAME ASSEMBLY on the oven. Check that it is level and then secure with two SCREWS B. See Illustration 5.
4. Secure the bottom portion of the FRAME ASSEMBLY with the two remaining SCREWS B. See Illustration 5.

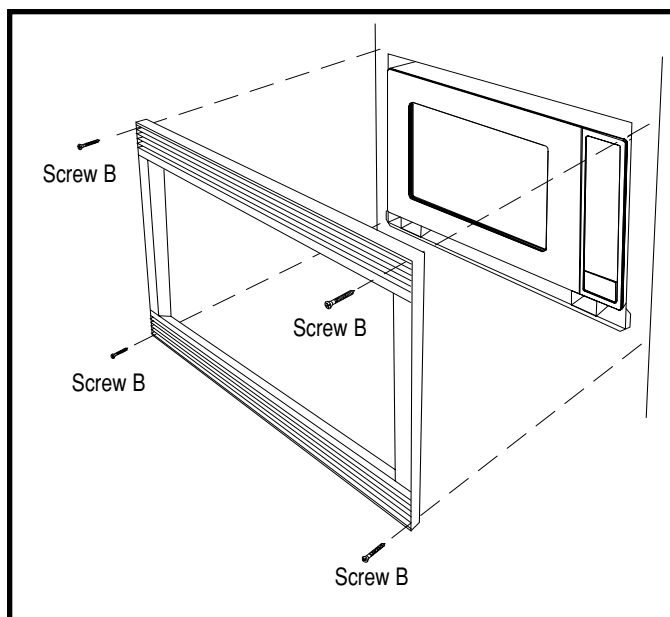


Illustration 5

