

KitchenAid® Ice Maker

PRODUCT MODEL NUMBERS

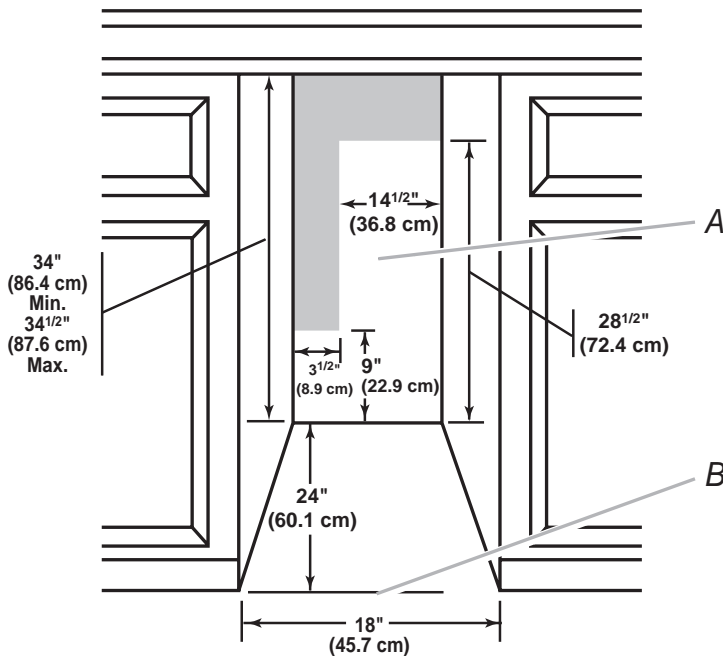
KUIA18NNJ	KUIS18NNJ
KUIA18PNL	KUIS18PNJ
	KUIV18NNM

Electrical: 115-volt, 60-Hz, AC-only, 15-ampere grounded circuit is required. A time-delay fuse or circuit breaker and separate circuit is recommended.

Water: A cold water supply using 1/4 in. O.D. soft copper tubing with shutoff valve.

Drain: Either a gravity-drain system or condensate pump to carry water to an existing drain.

CABINET OPENING DIMENSIONS

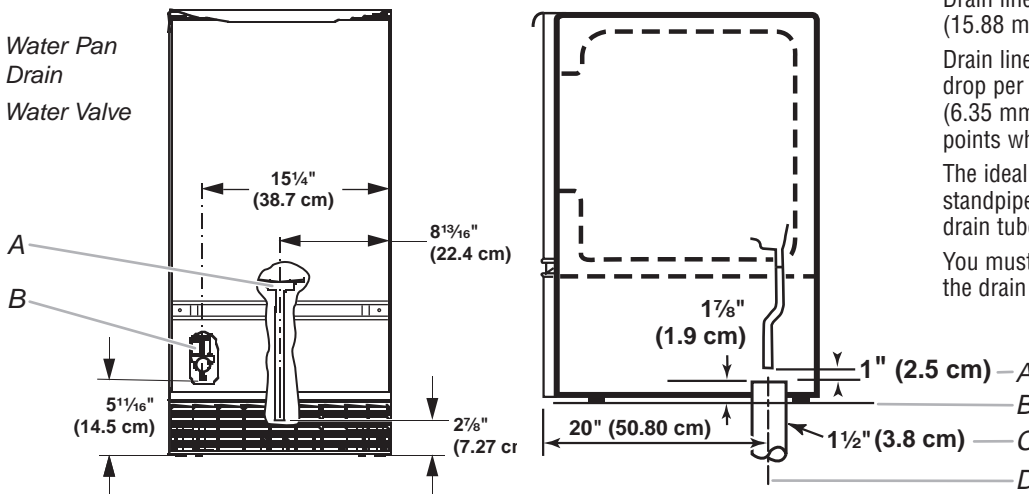


A. Recommended location for electrical and plumbing fixtures.

B. Floor level

DRAIN REQUIREMENTS

- A. Water Pan Drain
- B. Water Valve



Drain lines must have a minimum of 5/8 in. (15.88 mm) inside diameter.

Drain lines must have a 1 in. drop per 48 in. (2.54 cm drop per 122 cm) of run or 1/4 in. drop per 12 in. (6.35 mm per 30.48 cm) and must not have low points where water can settle.

The ideal installation has a 1-1/2 in. (3.81 cm) standpipe installed directly below the outlet of the drain tube as shown.

You must maintain a 1 in. (2.54 cm) air gap between the drain pump hose and the standpipe.

A. Drain Hose

B. 1 in. (2.54 cm) Air Gap

C. Standpipe

D. Center of drain should be 20 in. (50.80 cm) from front of door.