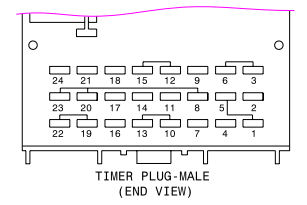
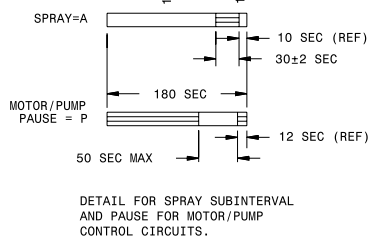
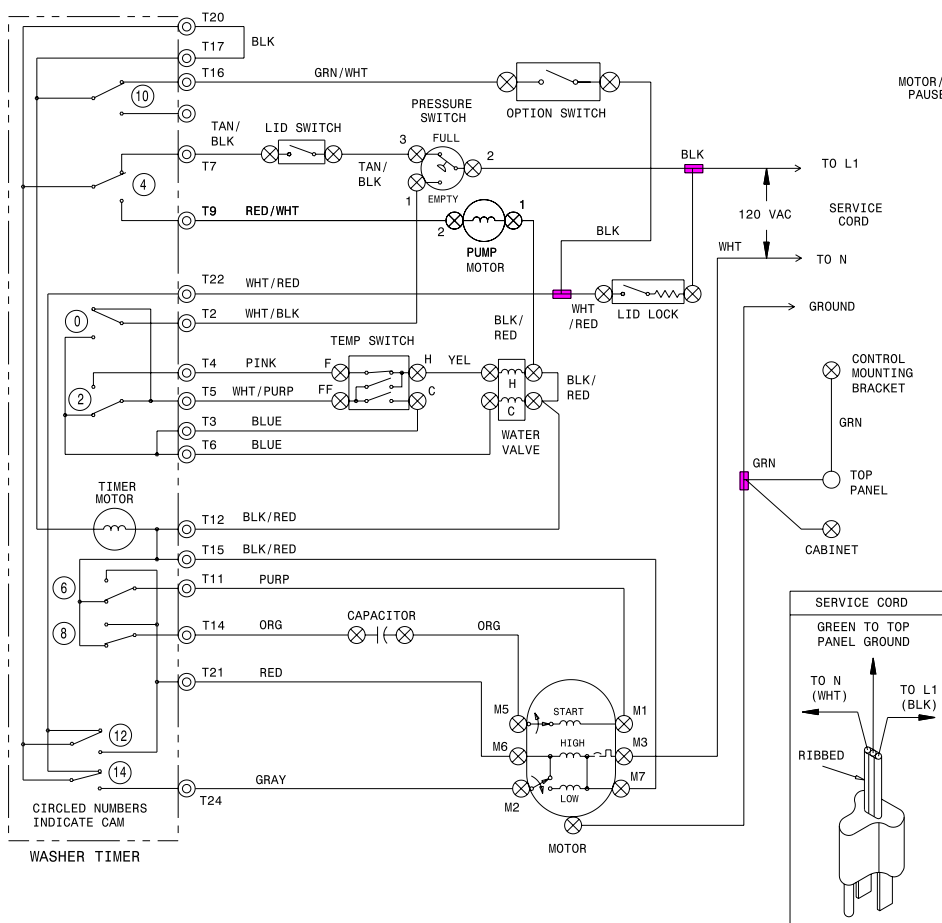
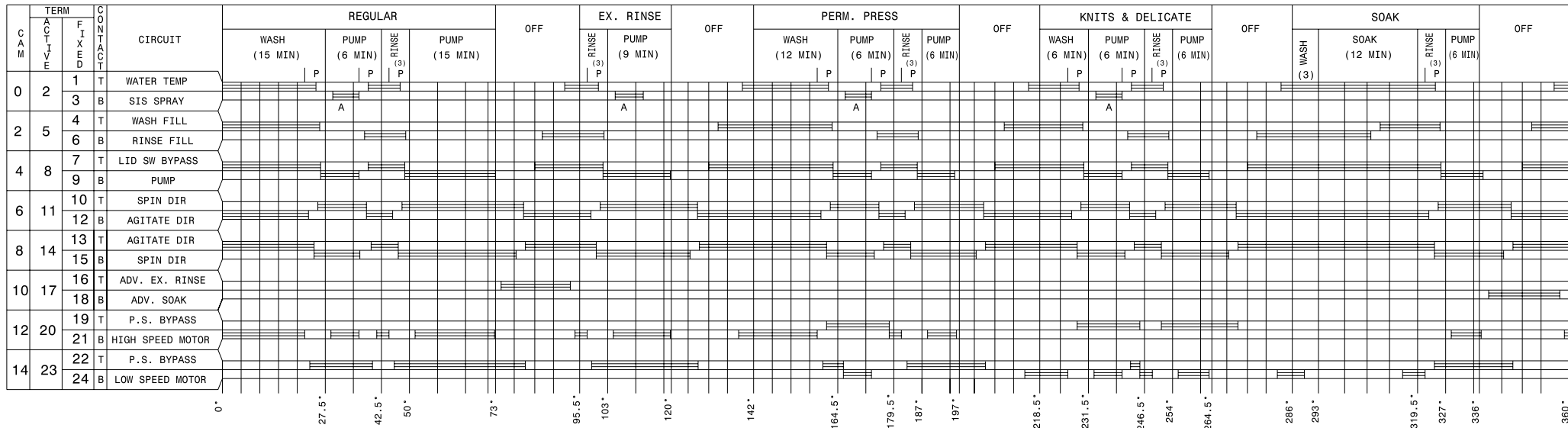


CAUTION: DISCONNECT ELECTRIC CURRENT BEFORE SERVICING

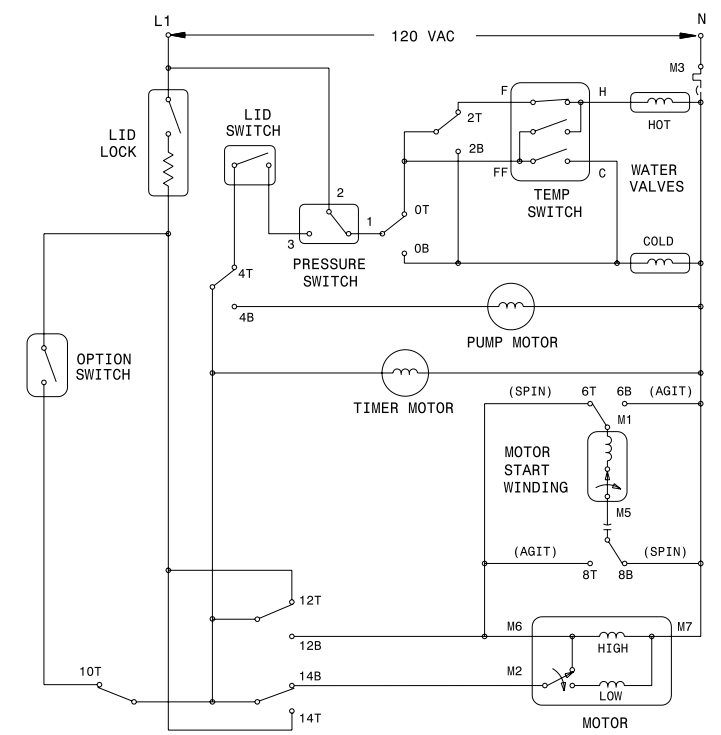


- WIRING CODES**
- ⊙ PLUG IN TIMER TERMINAL
 - ⊗ QUICK DISCONNECT TERMINAL
 - SCREW TERMINAL
 - CONNECTION
 - ⊕ NO CONNECTION
 - ⊖ MOTOR SWITCH
 - SPLICE
 - ⊖ MOTOR PROTECTOR
 - ⊖ CHASSIS (CABINET) GROUND

TEMPERATURE SWITCH CIRCUIT

WASH/RINSE	F-H	FF-H	FF-C
COLD/COLD	0	0	X
WARM/COLD	X	0	X
HOT/COLD	X	0	0
WARM/WARM (OPT)	0	X	X

0=OPEN X=CLOSED



NOTE:
SUFFIX INDICATES TIMER SWITCH CONTACTS
T= TOP
B= BOTTOM

