

ROPER[®] Automatic Washer

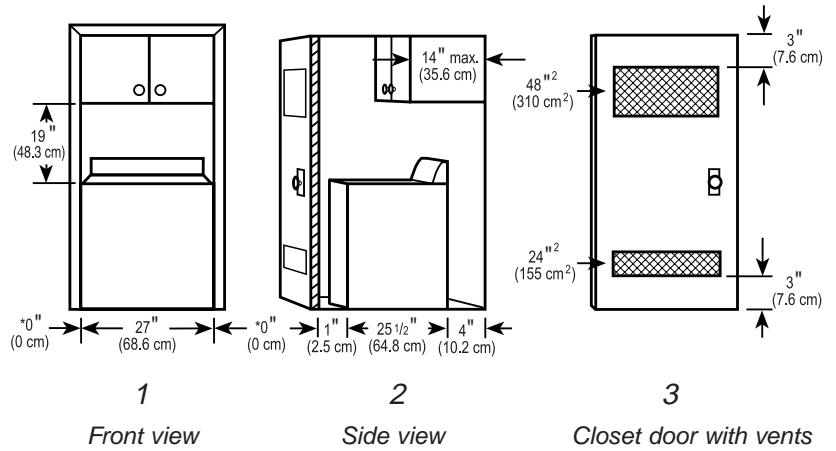
PRODUCT MODEL NUMBERS

RAB2121K	RAS8333P
RAB2121P	RAS8445K
RAS6233K	RAX4232K
RAS6233P	RAX4232P
RAS7133K	RAX4233P
RAS7133P	RAX7244K
RAS7233K	RAX7244P
RAS8244K	RAX7245K
RAS8244L	

Electrical: 120-volt, 60-Hz, AC-only, 15- or 20-amp. electrical supply. A time-delay fuse or circuit breaker and separate circuit is recommended.

RECESSED AREA AND CLOSET INSTALLATION

For closet installation, with a door, the minimum ventilation openings in the top and bottom of the door are required (view 2). Louvered doors with equivalent air ventilation openings in the top and bottom are acceptable.

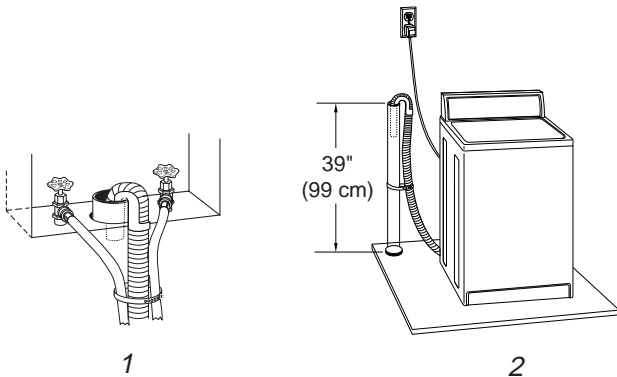


DRAIN SYSTEM OPTIONS

Standpipe drain system - wall or floor (view 1 & 2)

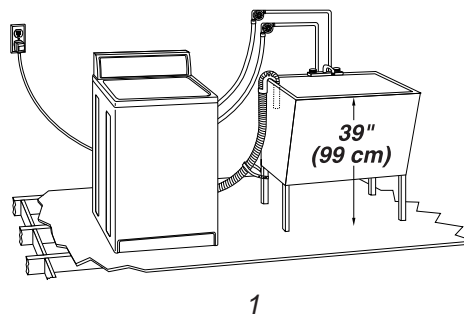
The standpipe drain requires a minimum diameter standpipe of 2 in. (5 cm). The minimum carry-away capacity can be no less than 17 gal. (64 L) per minute.

The top of the standpipe must be at least 39 in. (99 cm) high and no higher than 96 in. (2.4 m) from the bottom of the washer.



Laundry tub drain system (view 1)

The laundry tub needs a minimum 20 gal. (76 L) capacity. The top of the laundry tub must be at least 39 in. (99 cm) above the floor and no higher than 96 in. (2.4 m) from the bottom of the washer.



Floor drain system (view 2)

The floor drain system requires a siphon break that may be purchased separately. The siphon break must be a minimum of 28 in. (71 cm) from the bottom of the washer. Additional hoses might be needed.

