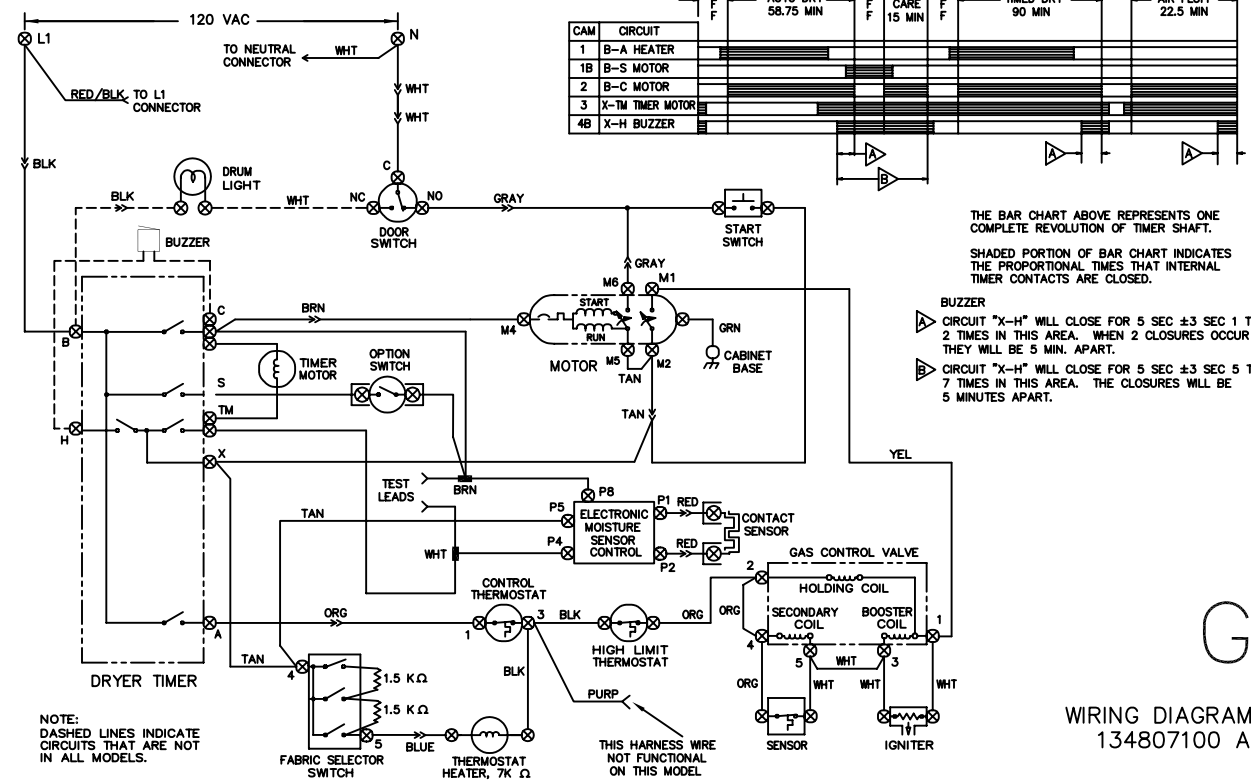
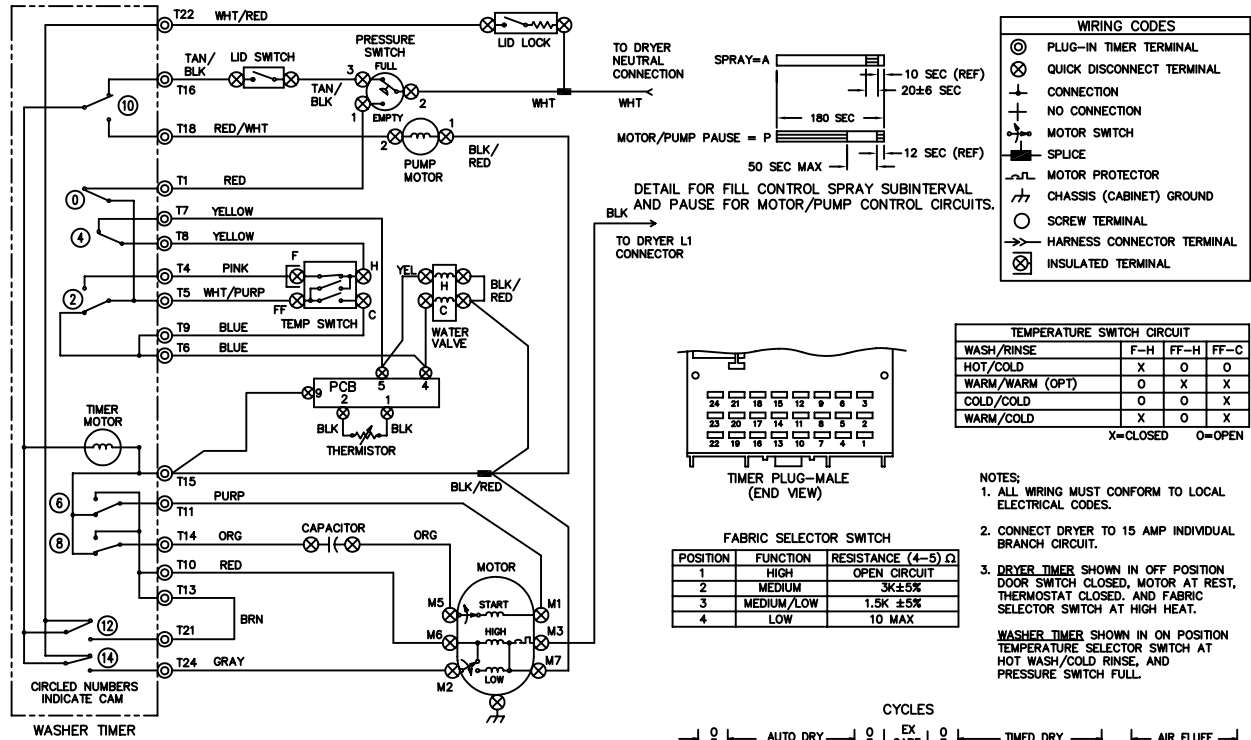


CAUTION: DISCONNECT ELECTRIC CURRENT BEFORE SERVICING. LABEL ALL WIRES PRIOR TO DISCONNECTION WHEN SERVICING CONTROLS. WIRING ERRORS CAN CAUSE IMPROPER AND DANGEROUS OPERATION. VERIFY PROPER OPERATION AFTER SERVICING.

TERM	CIRCUIT	REGULAR				EX. RINSE		PERM. PRESS				KNITS & DELICATE				SOAK		PREWASH	
		WASH (15 MIN)	PUMP (6 MIN)	WASH (15 MIN)	PUMP (6 MIN)	EX. RINSE (15 MIN)	PUMP (6 MIN)	WASH (12 MIN)	PUMP (6 MIN)	WASH (6 MIN)	PUMP (6 MIN)	WASH (6 MIN)	PUMP (6 MIN)	WASH (6 MIN)	PUMP (6 MIN)	WASH (3)	SOAK (12 MIN)	WASH (3)	PUMP (6 MIN)
0 2	1 T	FILL CONTROL																	
3 B	3 B	NOT USED																	
4 T	4 T	WASH FILL																	
6 B	6 B	RINSE FILL																	
7 T	7 T	WATER TEMP																	
9 B	9 B	SPIN DIR																	
12 B	12 B	AGITATE DIR																	
13 T	13 T	AGITATE DIR																	
15 B	15 B	SPIN DIR																	
16 T	16 T	AGIT CONTROL																	
18 B	18 B	PUMP																	
19 T	19 T	SPIN CONTROL																	
21 B	21 B	HIGH SPEED MOTOR																	
22 T	22 T	SPIN CONTROL																	
24 B	24 B	LOW SPEED MOTOR																	



WIRING DIAGRAM 134807100 A