

Part Install Instructions

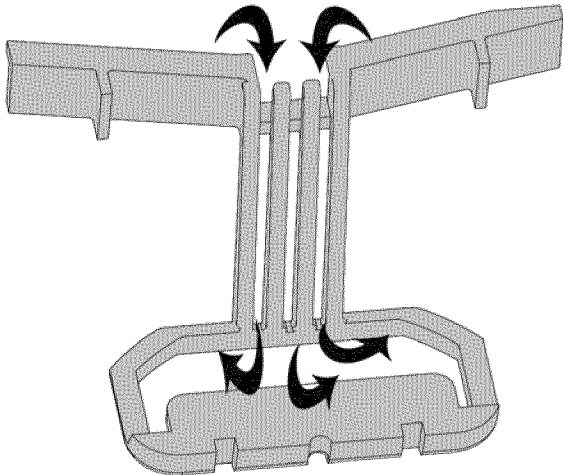
2012 and Later Dishwashers

WD35X20915 Diverter, Detergent Mod.

June 2014

Introduction:

This water diverter allows water to be channeled to the rear and bottom of the cup for improved detergent wash out performance.



Models:

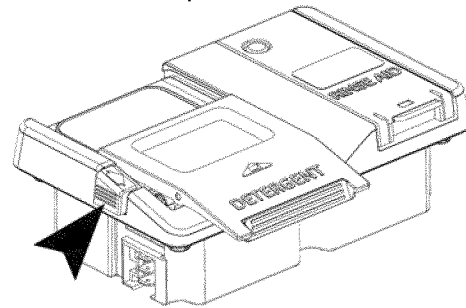
GDF510	GDF570	PDT750
GDF520	DDT575	CDT725
ADT521	GDT580	PDT760
GDT530	GDT680	CDT765
GDF540	GDT720	ZDT800
GDT550	GDT740	ZDT870

Parts Included:

- WD12X20914 Diverter
- Installation Instructions

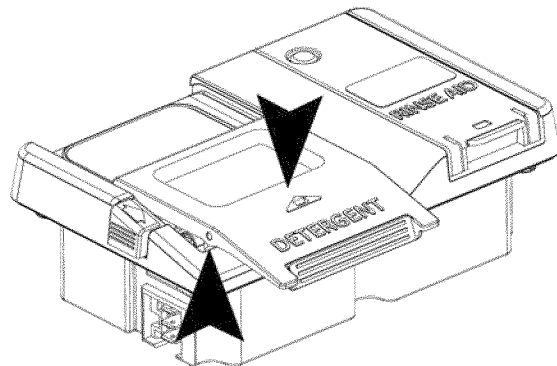
Step 1 – Open Detergent Module Door

- The detergent module does not need to be removed for this repair.
- The detergent module door must be in the open position to install the diverter. Press in on the button to open.

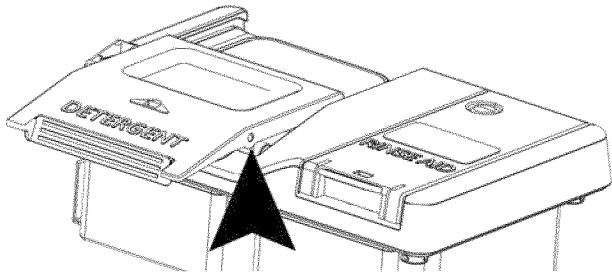


Step 2 – Remove Detergent Module Door

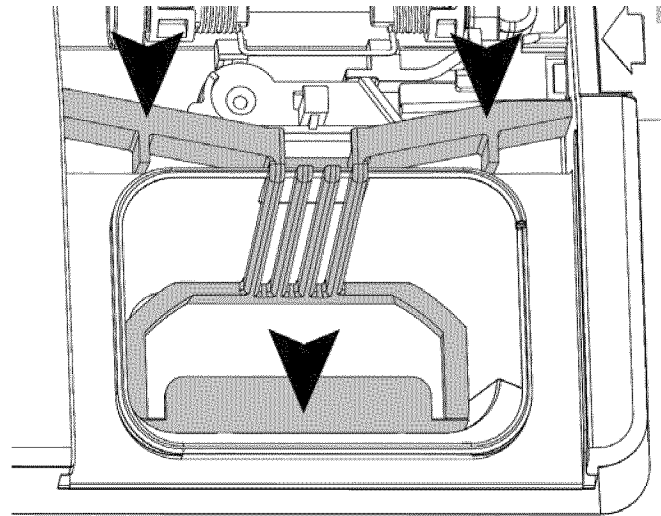
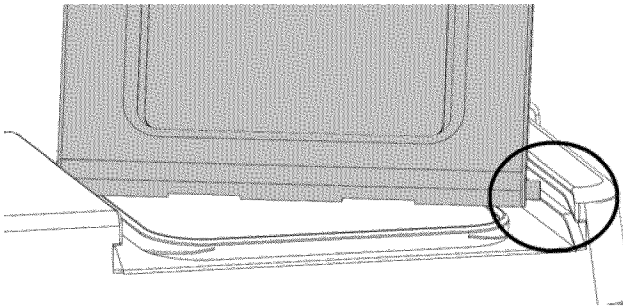
- Apply pressure to the center of the door while lifting up on the left side of the door to release the left side of the door. Flexing the door will allow the left side to release from the actuating mechanism.



- Move the door to the right to dis-engage the right side.



- Slide the bottom of the door guides off the track of the module.

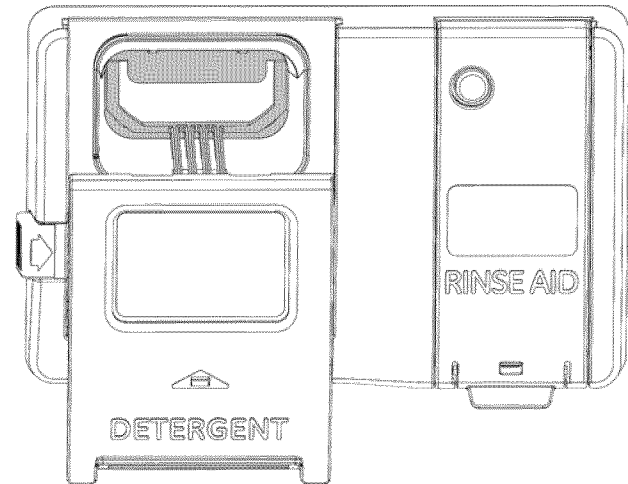
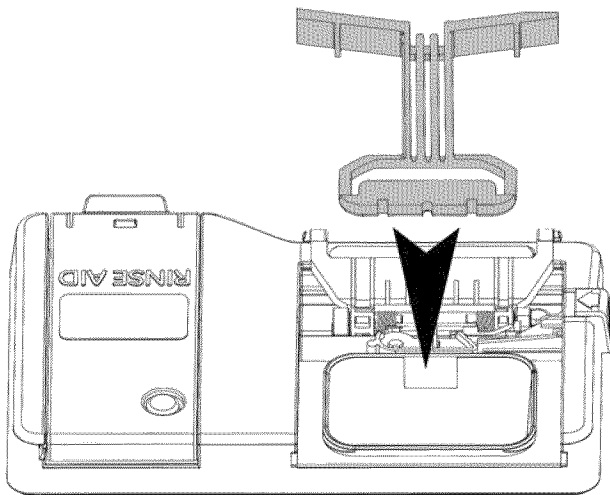


Step 4 – Re-install Detergent Module Door

- Slide the bottom of the cup door into the module guides.
- Install the right side of the door first
- Align the left side of the door to the actuating mechanism and press door firmly in place to complete installation
- Completed assembly below.

Step 3 – Insert WD12X20914 diverter

- Use care when inserting the diverter



- Press into place, to seat the water diverter.