



*Frigidaire*

Factory Parts Catalog

Product No.	GLMB209DBA	GLMB209DQA	GLMB209DSA	PLMB209DCA
Market	North America	North America	North America	North America
Color	black	bisque	white	stainless steel
Volts	120	120	120	120
Watts	1200	1200	1200	1200
Wiring Diagram	5995415618	5995415618	5995415618	5995415618
Owner's Guide	316137232	316137232	316137232	316137232
Installation Instructions	316137335	316137335	316137335	316137335

 **Electrolux**

ELECTROLUX HOME PRODUCTS, INC.  
P.O. Box 212378, Augusta, GA 30917

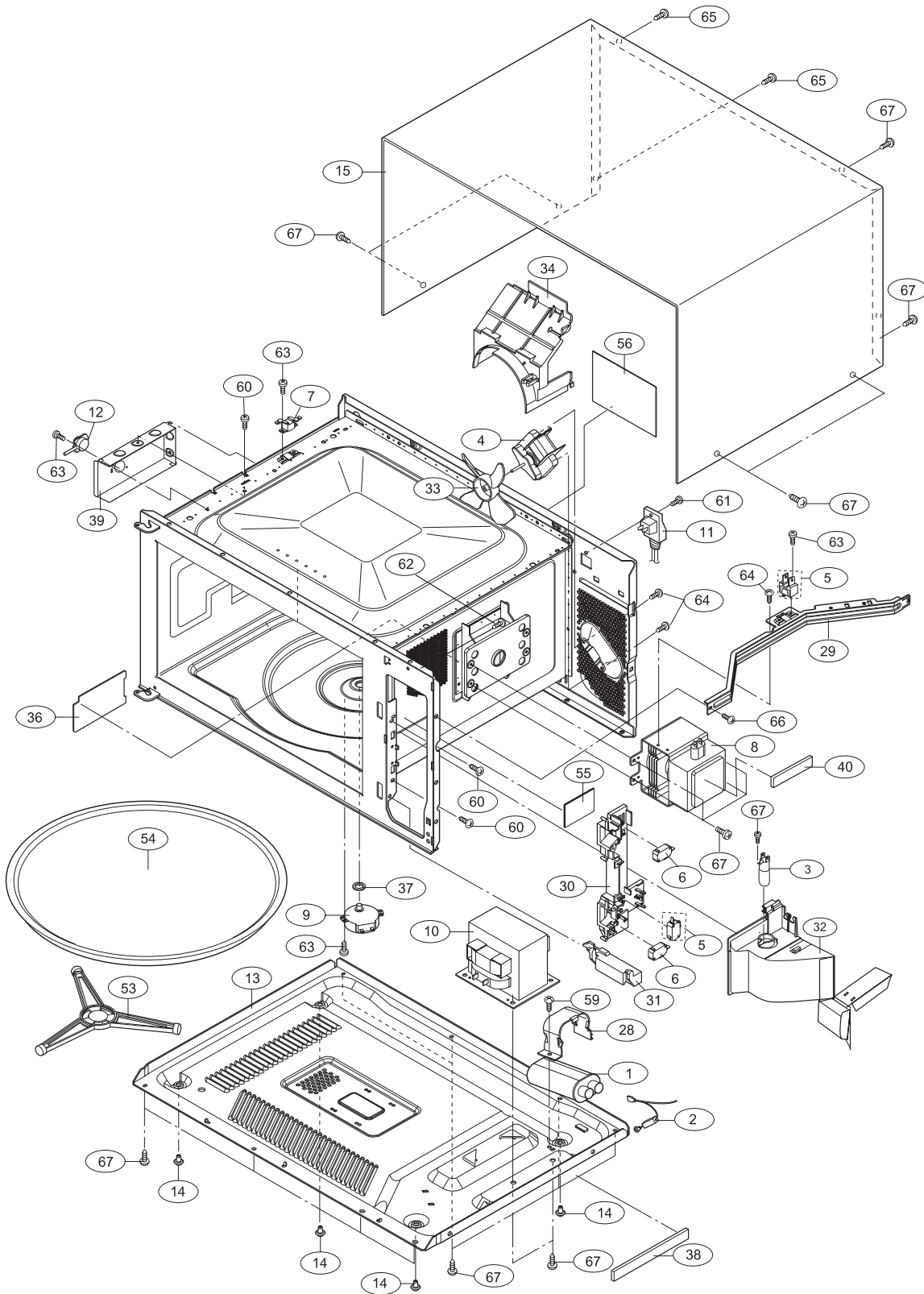
Publication No.  
**5995415618**  
04/09/02  
(EN/SERVICE/KC)  
099

**COUNTER-TOP  
MICROWAVE**

Model No.  
GLMB209D  
PLMB209D

Copyright © 2004 Electrolux Home Products, Inc.  
All rights reserved.

**OVEN, CABINET**



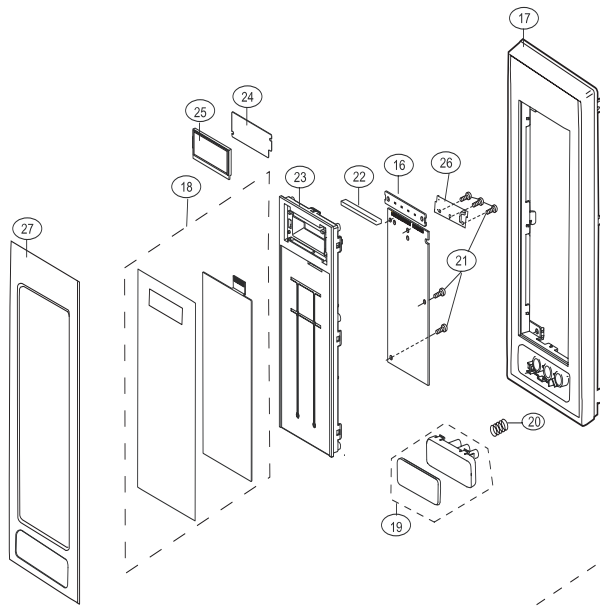
GLMB209D cabinet

**OVEN, CABINET**

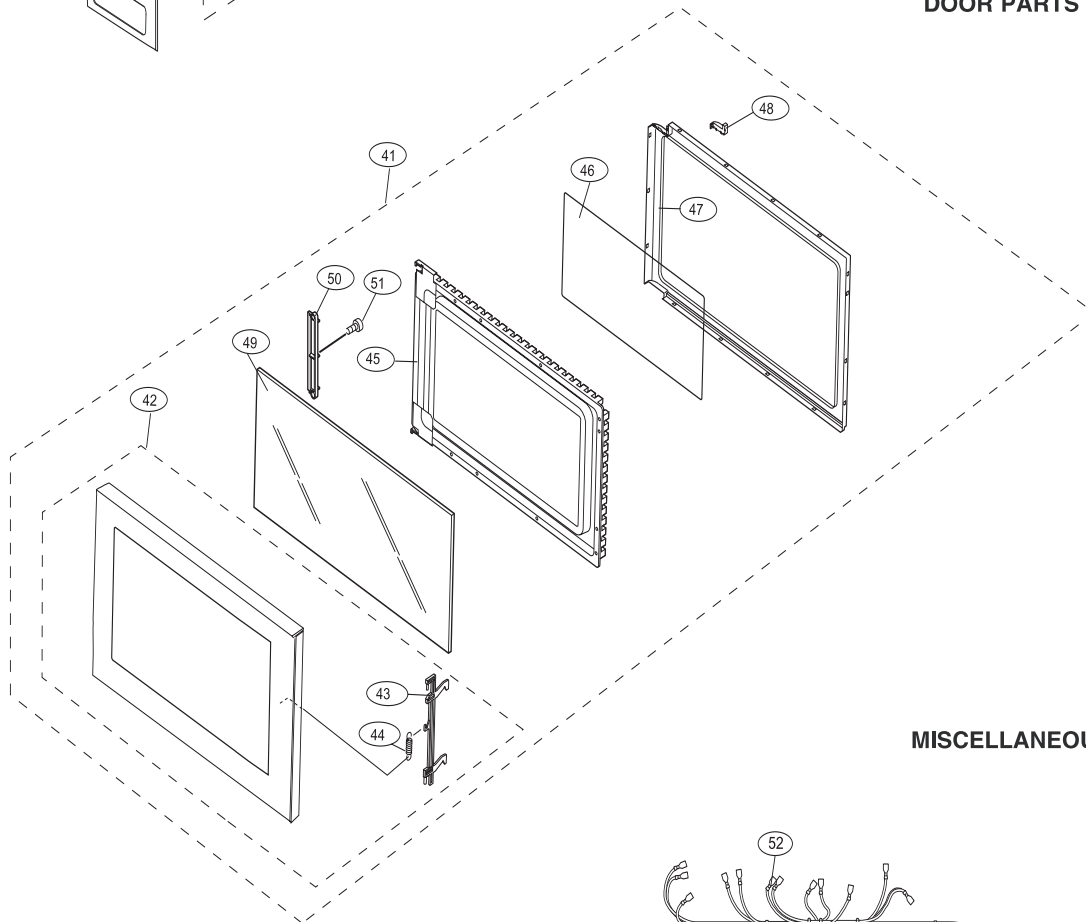
*Model Index:* A GLMB209D (GLMB209DBA)  
 B GLMB209D (GLMB209DQA)  
 C GLMB209D (GLMB209DSA)  
 D PLMB209D (PLMB209DCA)

POS. NO	PART NO.		DESCRIPTION
1 #	5304440777	A B C D	Capacitor, high voltage
2 #	5304440778	A B C D	Rectifier, high voltage
3 #	5304440779	A B C D	Lamp Assy, with socket
4 #	5304440030	A B C D	Motor, cooling fan
5 #	5304440027	A B C D	Switch Kit, monitor, with CT fuse
6 #	5304440026	A B C D	Relay/Switch Assy, sec. interlock, door sense sw.
7 #	5304440780	A B C D	Fuse, cavity temp, 20 Amp, 250 VAC
8 #	5304440781	A B C D	Magnetron
9 #	5304440782	A B C D	Motor, turntable
10 #	5304440783	A B C D	Transformer, power
11 #	5304440784	A B C D	Power Cord, electric
12 #	5304440785	A B C D	Sensor, abs. humidity, cook control
13	5304440814	A B C D	Base, unit chassis
14	5304440815	A B C D	Foot, cabinet support
15	5304440816	A - - -	Casing, outer panel, black
15	5304440818	- B - -	Casing, outer panel, bisque
15	5304440817	- - C -	Casing, outer panel, white
15	5304440819	- - - D	Casing, outer panel, stainless steel
28	5304440838	A B C D	Retainer, capacitor strap
29	5304440839	A B C D	Bracket, chassis support
30	5304440840	A B C D	Latch Hook
31	5304440841	A B C D	Lever, door release
32	5304440842	A B C D	Duct, magnetron
33 #	5304440843	A B C D	Fan Blade, cooling fan
34	5304440844	A B C D	Duct, cooling fan
36	5304440845	A B C D	Cover, waveguide
37	5304440288	A B C D	Bushing, motor shaft, turntable
38	5304441909	A B C D	Cushion, base plate pad
39	5304440847	A B C D	Duct, AH sensor
40	5304441910	A B C D	Cushion, magnetron pad
53	5304440284	A B C D	Support Assy, turntable
54	5304440868	A B C D	Tray, turntable, glass
55	5304440334	A B C D	Label, Caution-monitor
56	5304440333	A B C D	Label, Caution-DHHS
59	5303319636	A B C D	Screw
60	5303319641	A B C D	Screw
61	5304440871	A B C D	Screw, 4mm x 12mm, ground
63	5303319633	A B C D	Screw, 3mm x 8mm
64	5304440872	A B C D	Screw, 4mm x 8mm
65	5304440873	A B C D	Screw, torx head, tamper proof
66	5304440874	A B C D	Screw
67	5304441963	A - - -	Screw, black, outer casing
67	5304440340	- B C D	Screw, 4mm x 12mm

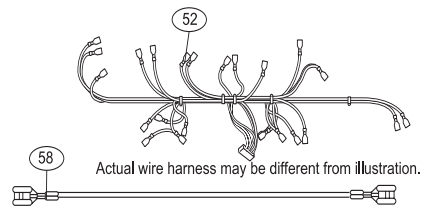
**CONTROL PANEL, DOOR, MISC.**



**DOOR PARTS**



**MISCELLANEOUS**



Actual wire harness may be different from illustration.

**GLMB209D controls**

**CONTROL PANEL, DOOR, MISC.**

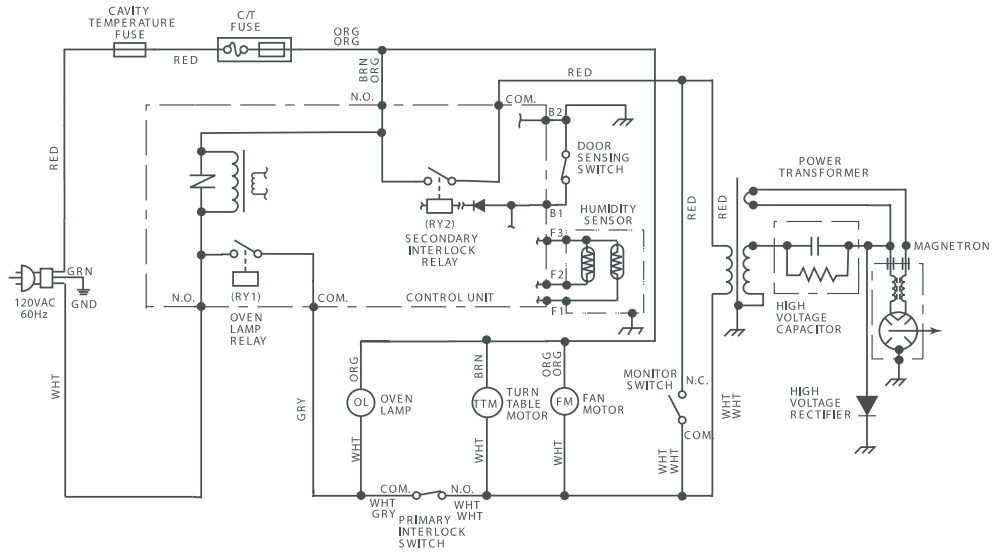
*Model Index:* A GLMB209D (GLMB209DBA)  
 B GLMB209D (GLMB209DQA)  
 C GLMB209D (GLMB209DSA)  
 D PLMB209D (PLMB209DCA)

POS. NO	PART NO.		DESCRIPTION
16 #	5304440820	A B C D	Control Board, printed circuit
17	5304440821	A - - D	Frame, control panel, black
17	5304440823	- B - -	Frame, control panel, bisque
17	5304440822	- - C -	Frame, control panel, white
18 #	5304440824	A - - D	Switch Assy, touch control, black
18 #	5304440826	- B - -	Switch Assy, touch control, bisque
18 #	5304440825	- - C -	Switch Assy, touch control, white
19	5304440827	A - - -	Push Button, door opener, black
19	5304440829	- B - -	Push Button, door opener, bisque
19	5304440828	- - C -	Push Button, door opener, white
19	5304440830	- - - D	Push Button, door opener, stainless steel
20	5304440831	A B C D	Spring, door button
21	5304440282	A B C D	Screw, control board, 3mm x 10mm
22	5304440832	A B C D	Connector, rubber, control board
23	5304440833	A B C D	Panel, touch pad mount
24 #	5304440834	A B C D	LED Sheet, backlight
25 #	5304440835	A B C D	LCD, display
26	5304440836	A B C D	Bracket, PCB support
27	5304440837	- - - D	Trim, control panel, stainless steel, deco plate
41	5304440848	A - - -	Door Assy, complete, black
41	5304440850	- B - -	Door Assy, complete, bisque
41	5304440849	- - C -	Door Assy, complete, white
41	5304440851	- - - D	Door Assy, complete, stainless steel
42	5304440852	A - - -	Panel Assy, outer door, black, with latch
42	5304440854	- B - -	Panel Assy, outer door, bisque, with latch
42	5304440853	- - C -	Panel Assy, outer door, white, with latch
42	5304440855	- - - D	Panel Assy, outer door, stainless steel, with latch
43	5304440856	A B C D	Latch, door
44	5304440316	A B C D	Spring, door latch
45	5304440857	A - - D	Panel, inner door, black
45	5304440859	- B - -	Panel, inner door, bisque
45	5304440858	- - C -	Panel, inner door, white
46	5304440860	A B C D	Seal, door, film
47	5304440861	A B C D	Frame, choke cover, inner door
48	5304442145	A B C D	Door Stop
49	5304440863	A - - D	Panel, glass, black, door front
49	5304440865	- B - -	Panel, glass, bisque, door front
49	5304440864	- - C -	Panel, glass, white, door front
50	5304440862	A B C D	Door Stop
51	5304440866	A B C D	Screw
52 #	5304440867	A B C D	Wiring Harness, main
58 #	5304440870	A B C D	Wire, high voltage-A

**WIRING SCHEMATIC**

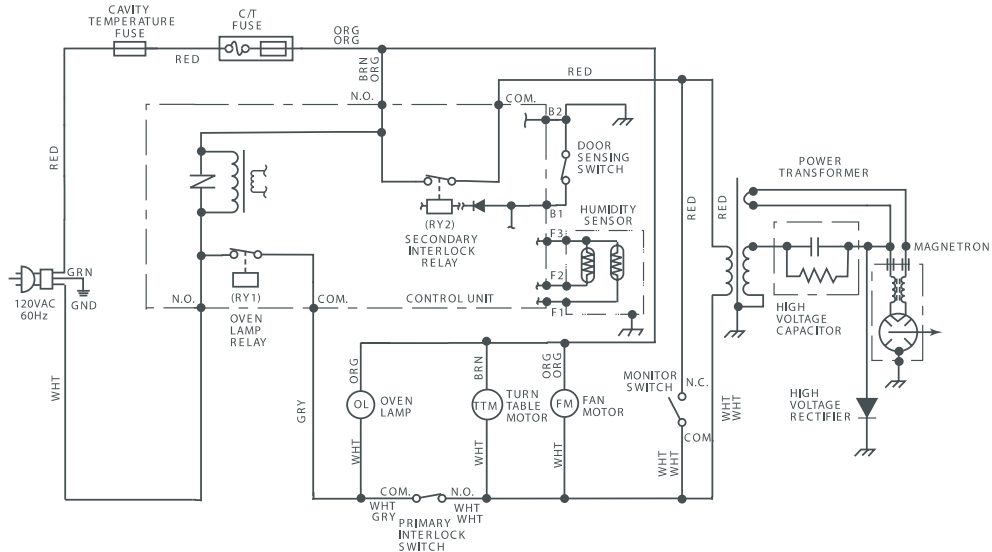
**SCHEMATIC**  
 NOTE: CONDITION OF OVEN  
 1. Door Closed  
 2. CLOCK APPEARS ON DISPLAY

Note: \* Indicates component



Oven Schematic - Off Condition

**SCHEMATIC**  
 NOTE: CONDITION OF OVEN  
 1. DOOR CLOSED  
 2. COOKING TIME PROGRAMMED  
 3. VARIABLE COOKING CONTROL "HIGH"  
 4. "START" PAD TOUCHED



Oven Schematic - Cooking Condition