

Frigidaire

Factory Parts Catalog

| | |
|---------------|---------------|
| Product No. | FAA052N7A3 |
| Series | MS II |
| Volts | 115 |
| BTU-Cooling | 5000 |
| Owner's Guide | 2202019575 |
| Market | North America |

 **Electrolux**

ELECTROLUX HOME PRODUCTS, INC.
P.O. Box 212378, Augusta, GA 30917

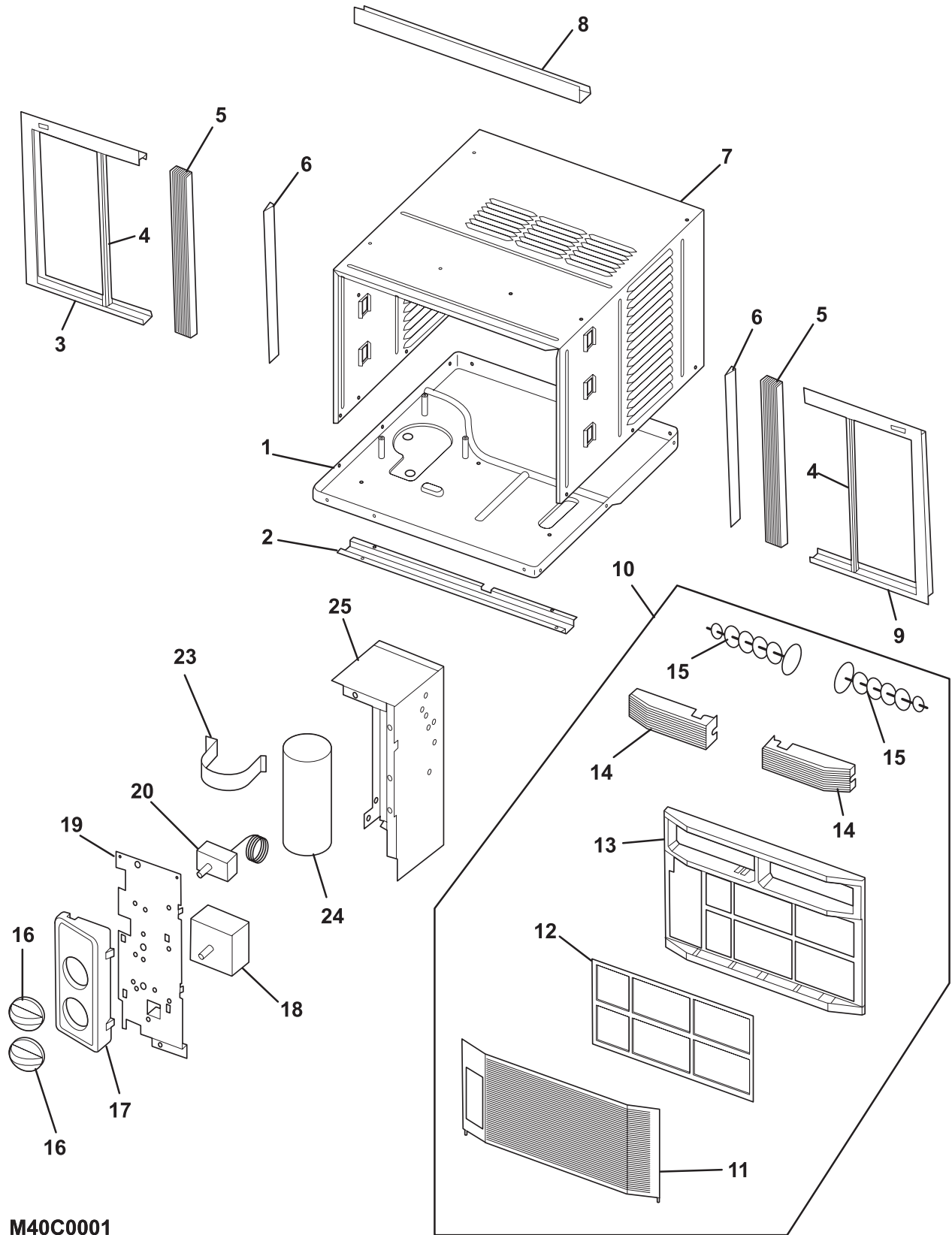
Publication No.
5995416467
04/09/16
(EN/SERVICE/KC)
099

**ROOM AIR
CONDITIONER**

Model No.
FAA052N7A

Copyright © 2004 Electrolux Home Products, Inc.
All rights reserved.

CABINET, FRONT, CONTROLS

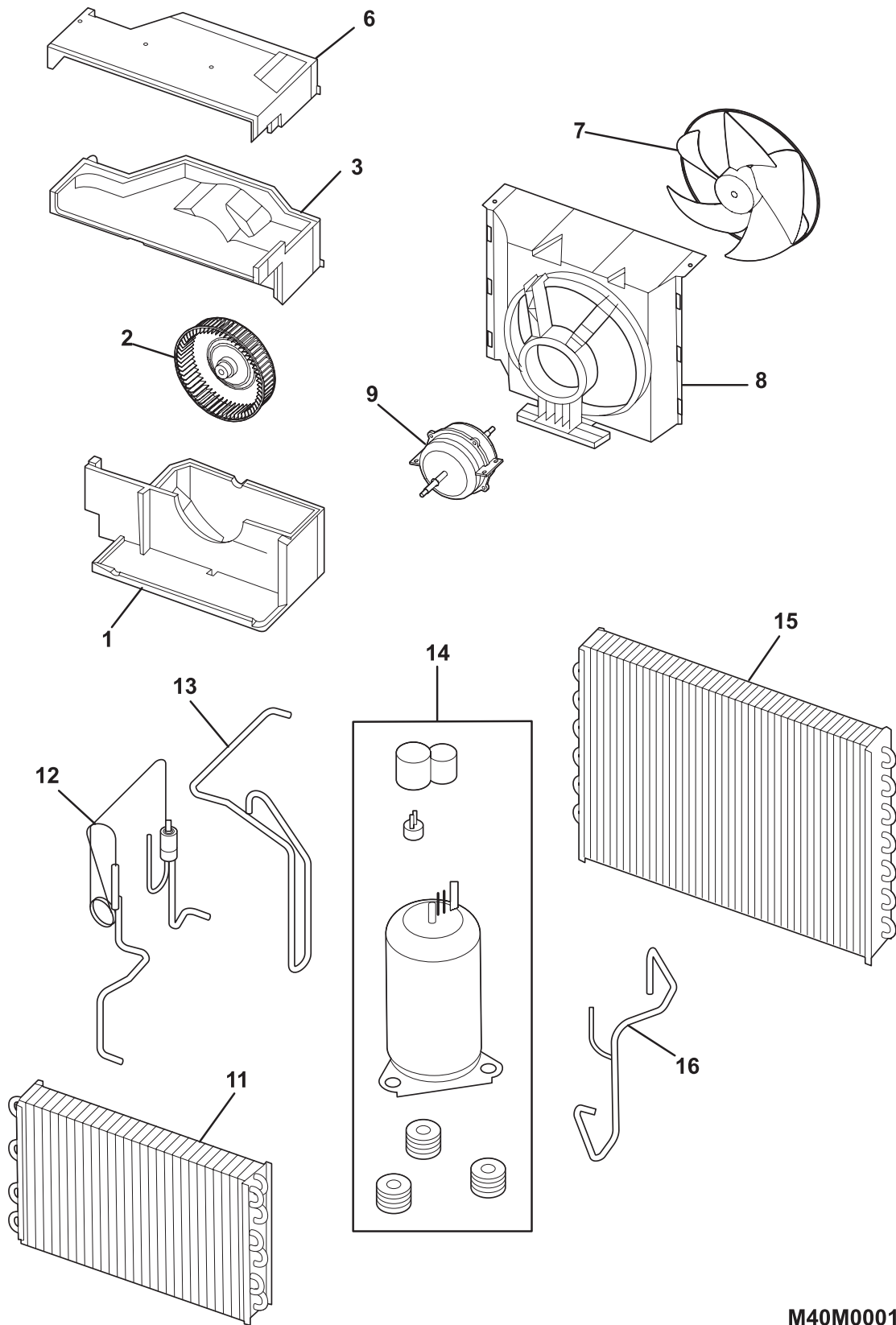


M40C0001

CABINET, FRONT, CONTROLS

| POS. NO | PART NO. | DESCRIPTION |
|---------|------------|--|
| 1 | 5304437073 | Base, unit chassis |
| 2 | 5304437068 | Rail, shutter track, bottom |
| 3 | 5304437055 | Frame, shutter panel, LH |
| 4 | 5304437052 | Retainer, shutter lock |
| 5 | 5304437053 | Shutter, accordion panel |
| 6 | 5304437057 | Retainer, shutter mount, cabinet sides |
| 7 | 5304437071 | Cabinet, wrapper/sleeve |
| 8 | 5304437069 | Rail, shutter track, top |
| 9 | 5304437054 | Frame, shutter panel, RH |
| 10 | 5304437065 | Front Assembly, complete panel, includes |
| 11 | 5304437059 | Panel, front grille, tilt-out |
| 12 | 5304437062 | Filter, air, plastic frame |
| 13 | 5304437058 | Frame, front assembly |
| 14 | 5304437061 | Louver, horizontal |
| 15 | 5304437060 | Louver, vertical |
| 16 | 5304437050 | Knob, rotary control |
| 17 | 5304437051 | Enclosure, control, switch box |
| 17 | 5304437101 | Control Panel, dial plate |
| 18 # | 5304437107 | Switch, selector, main |
| 19 | 5304437066 | Panel, ctrl mtg board |
| 20 # | 5304437106 | Control, temperature |
| 23 | 5304436530 | Strap, capacitor mtg. |
| 24 # | 5304437110 | Capacitor |
| 25 | 5304437070 | Control Box |

COOLING & AIR FLOW SYSTEMS



M40M0001

COOLING & AIR FLOW SYSTEMS

| POS. NO | PART NO. | DESCRIPTION |
|---------|------------|---|
| 1 | 5304437105 | Scroll, blower housing, bottom, w/drain tray |
| 2 # | 5304437891 | Blower Wheel, centrifugal fan |
| 3 | 5304437104 | Scroll, blower housing, top |
| 6 | 5304437103 | Cover, blower scroll, top |
| 7 # | 5304437049 | Fan Blade, propeller, axial flow |
| 8 # | 5304437056 | Shroud, fan housing |
| 9 # | 5304442363 | Motor, fan |
| 11 # | 5304437086 | Evaporator |
| 12 # | 5304437093 | Capillary Tube, assy w/strainer |
| 13 # | 5304437096 | Discharge Tube |
| 14 # | 5304437076 | Compressor Assy, <u>Note</u> : includes overload, wiring cover, and mounting grommets |
| 15 # | 5304437085 | Condenser |
| 16 # | 5304437098 | Suction Tube |

WIRING DIAGRAM

