



Frigidaire

Factory Parts Catalog

Product No.	CPLMB209DCA
Market	Canada
Color	stainless steel
Volts	120
Watts	1100
Wiring Diagram	5995415626
Owner's Guide	316137232
Installation Instructions	316137335

 **Electrolux**

ELECTROLUX HOME PRODUCTS, INC.
6150 McLaughlin Road, Mississauga,
Ontario, Canada L5R 1K6

Publication No.
5995415626
04/09/02
(EN/SERVICE/KC)
099

**COUNTER-TOP
MICROWAVE**

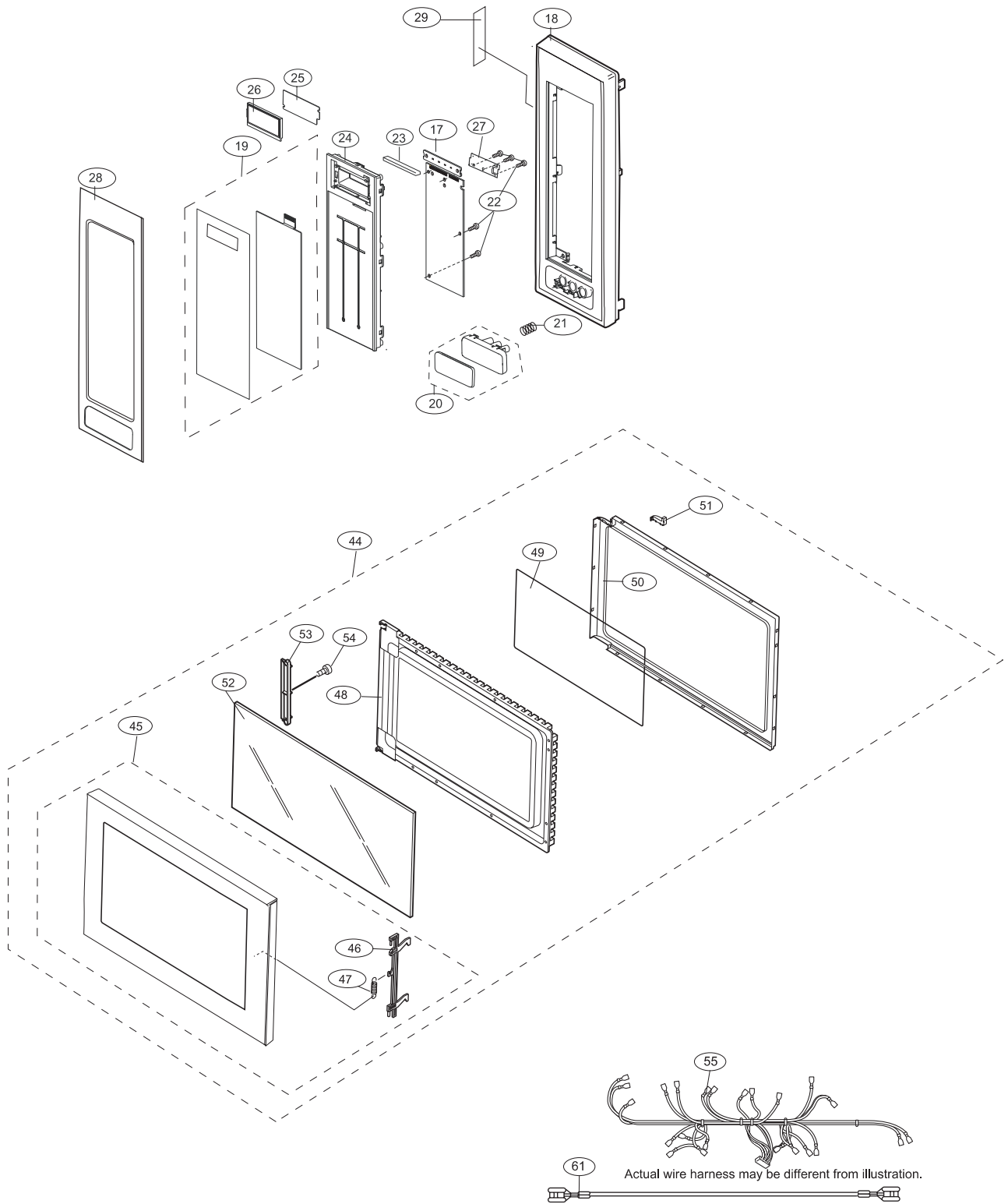
Model No.
CPLMB209D

Copyright © 2004 Electrolux Home Products, Inc.
All rights reserved.

OVEN, CABINET

POS. NO	PART NO.	DESCRIPTION
1 #	5304440777	Capacitor, high voltage
2 #	5304440778	Rectifier, high voltage
3 #	5304440779	Lamp Assy, with socket
4 #	5304440030	Motor, cooling fan
5 #	5304440027	Switch Kit, monitor, with CT fuse
6 #	5304440026	Relay/Switch Assy, sec. interlock, door sense sw.
7 #	5304440780	Fuse, cavity temp, 20 Amp, 250 VAC
8 #	5304440875	Magnetron
9 #	5304440782	Motor, turntable
10 #	5304440876	Transformer, power
11 #	5304440784	Power Cord, electric
12 #	5304440785	Sensor, abs. humidity, cook control
13 #	5303322968	Filter, noise, electronic
14	5304440814	Base, unit chassis
15	5304440815	Foot, cabinet support
16	5304440819	Casing, outer panel, stainless steel
30	5304440838	Retainer, capacitor strap
31	5304440839	Bracket, chassis support
32	5304440840	Latch Hook
33	5304440841	Lever, door release
34	5304440842	Duct, magnetron
35 #	5304440843	Fan Blade, cooling fan
36	5304440844	Duct, cooling fan
38	5304440845	Cover, waveguide
39	5304440288	Bushing, motor shaft, turntable
40	5304441909	Cushion, base plate pad
41	5304440847	Duct, AH sensor
42	5303322975	Bracket, noise filter, angle
43	5304441910	Cushion, magnetron pad
56	5304440284	Support Assy, turntable
57	5304440868	Tray, turntable, glass
58	5304440334	Label, Caution-monitor
59	5304440333	Label, Caution-DHHS
62	5304440348	Label, Caution-NHW
63	5303319636	Screw
64	5303319641	Screw
65	5304440871	Screw, 4mm x 12mm, ground
67	5303319633	Screw, 3mm x 8mm
68	5304440872	Screw, 4mm x 8mm
69	5304440873	Screw, torx head, tamper proof
70	5304440874	Screw
71	5304440340	Screw, 4mm x 12mm

CONTROL PANEL, DOOR, MISC.



CPLMB209D controls

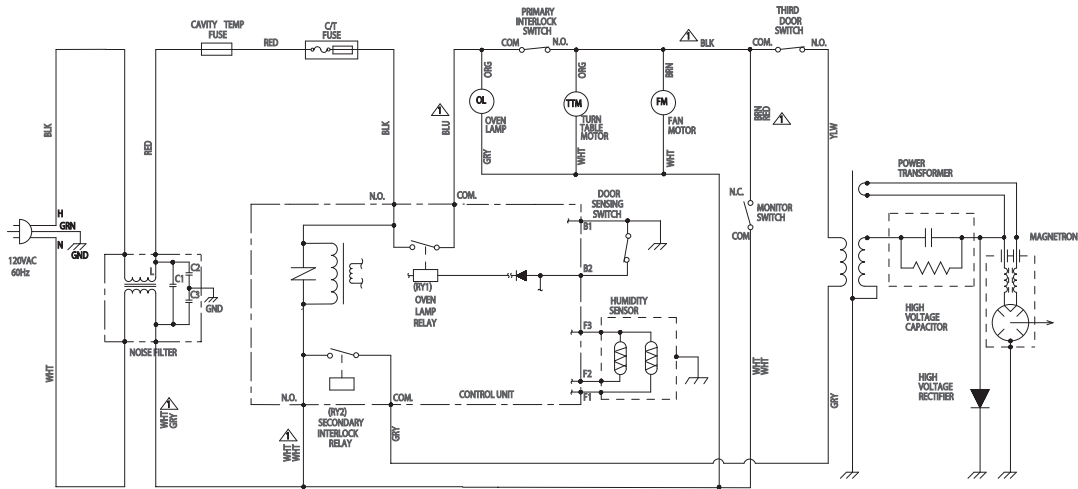
CONTROL PANEL, DOOR, MISC.

POS. NO	PART NO.	DESCRIPTION
17 #	5304440877	Control Board, printed circuit
18	5304440821	Frame, control panel, black
19 #	5304440824	Switch Assy, touch control, black
20	5304440830	Push Button, door opener, stainless steel
21	5304440831	Spring, door button
22	5304440282	Screw, control board, 3mm x 10mm
23	5304440832	Connector, rubber, control board
24	5304440833	Panel, touch pad mount
25 #	5304440834	LED Sheet, backlight
26 #	5304440835	LCD, display
27	5304440836	Bracket, PCB support
28	5304440837	Trim, control panel, stainless steel, deco plate
29	5304440346	Label, User Caution
44	5304440851	Door Assy, complete, stainless steel
45	5304440855	Panel Assy, outer door, stainless steel, with latch
46	5304440856	Latch, door
47	5304440316	Spring, door latch
48	5304440857	Panel, inner door, black
49	5304440860	Seal, door, film
50	5304440861	Frame, choke cover, inner door
51	5304442145	Door Stop
52	5304440863	Panel, glass, black, door front
53	5304440862	Door Stop
54	5304440866	Screw
55 #	5304440878	Wiring Harness, main
61 #	5304440870	Wire, high voltage-A

WIRING SCHEMATIC

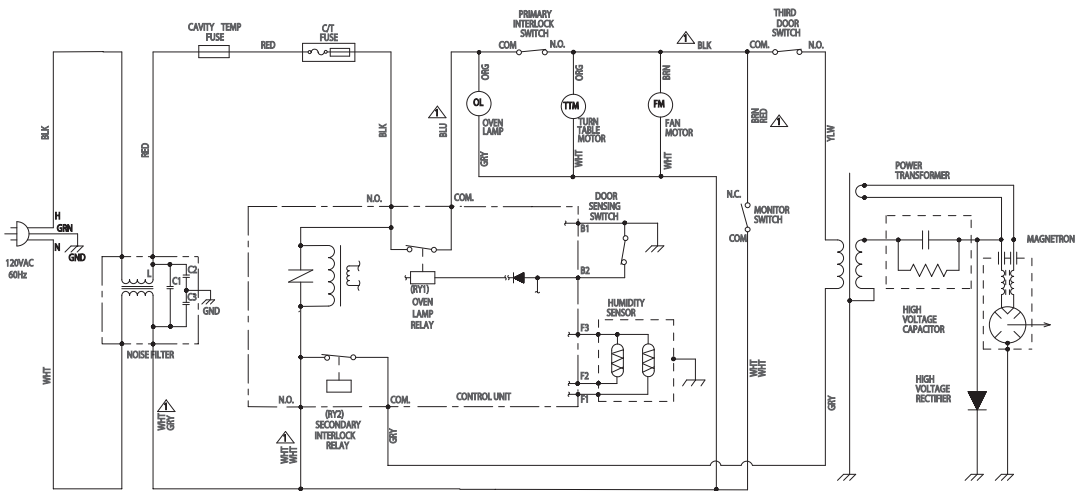
SCHEMATIC
 NOTE: CONDITION OF OVEN
 1. Door Closed
 2. CLOCK APPEARS ON DISPLAY

NOTE: "*" indicates components with potential above 250V.



Oven Schematic - Off Condition

SCHEMATIC
 NOTE: CONDITION OF OVEN
 1. DOOR CLOSED
 2. COOKING TIME PROGRAMMED
 3. VARIABLE COOKING CONTROL "HIGH"
 4. "START" PAD TOUCHED



Oven Schematic - Cooking Condition