

Installation Instructions

Part No. 1163185

IMPORTANT:
Read and save
these instructions.

IMPORTANT:

Installer: Leave Installation Instructions with homeowner.

Homeowner: Keep Installation Instructions for future reference.

Save Installation Instructions for local electrical inspector's use.

Air Conditioner

Before you start...

Proper installation is your responsibility. Make sure you have everything necessary for correct installation. It is the customer's responsibility to comply with the installation specifications provided.

Grounded electrical outlet within reach of the power supply cord is required. See Electrical requirements.

! WARNING

Electrical Shock Hazard

It is the customer's responsibility:

- To contact a qualified electrical installer.
- To assure that the electrical installation is adequate and in conformance with National Electrical Code, ANSI/NFPA 70-latest edition,* and all local codes and ordinances.

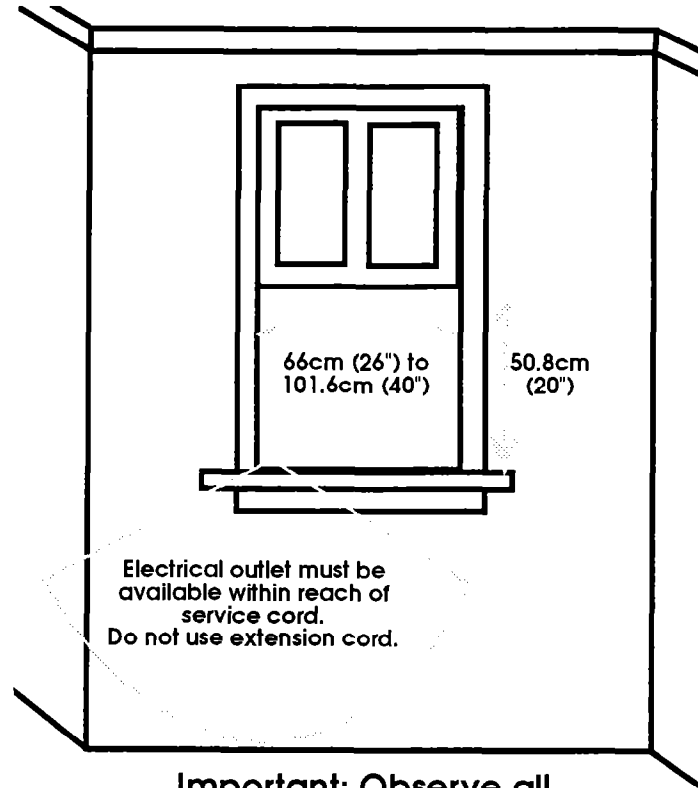
Failure to do so could result in fire, electrical shock or other personal injury.

Check location where air conditioner will be installed. The location should provide:

- A window large enough,
- Adequate wall support for weight of air conditioner,
- An electrical outlet within reach of service cord,
- Free movement of air to rooms to be cooled.

Copies of the standards listed may be obtained from:

* National Fire Protection Association
Batterymarch Park
Quincy, Massachusetts 02269



Important: Observe all governing codes and ordinances.

! WARNING

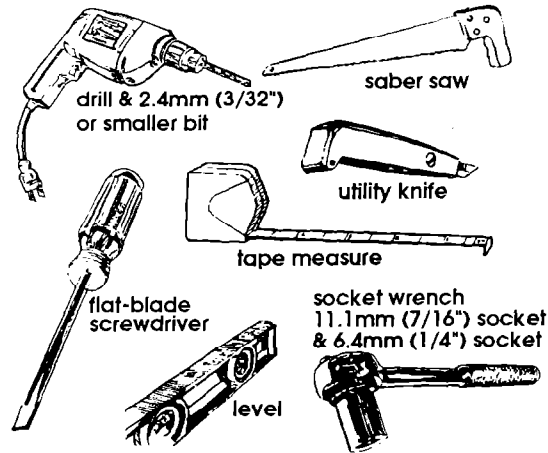
Personal Injury/Product Damage Hazard

- Because of the weight and size of the air conditioner, more than one person is needed to move, lift and safely install it.
- Handle air conditioner with care. Metal fins on front and rear coils are sharp.
- Do Not use the water that collects inside the air conditioner for drinking purposes. It is not sanitary.
- Maintain a firm hold on the air conditioner to prevent it from falling out the window during installation.
- Do Not locate air conditioner where cabinet front is exposed to a heat source that raises the surface temperature above 48.9°C (120°F).

Failure to follow these instructions could result in personal injury or damage to air conditioner.

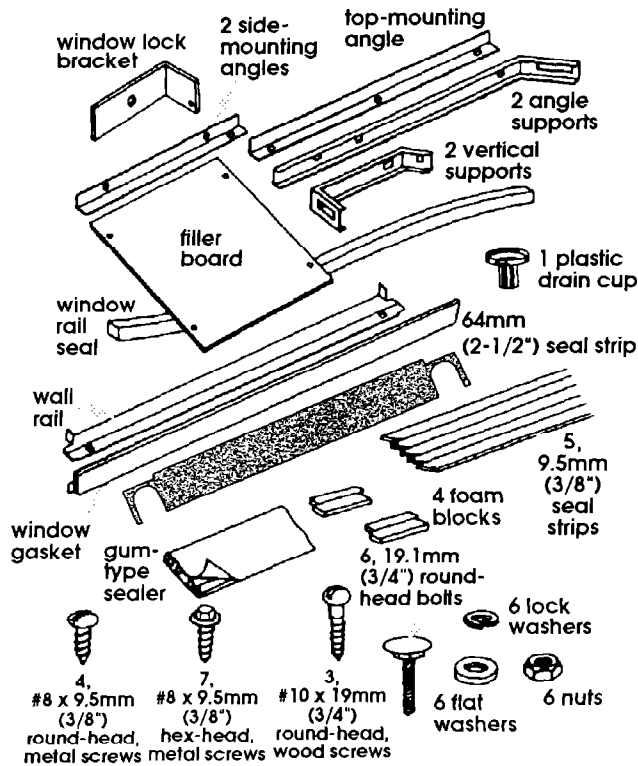
Specific electrical requirements are listed in the chart. Follow the requirements for the type of plug on the power supply cord.

Tools and materials needed for installation:



Through-the-wall installations:
wood preservative 10, #10x 25.4mm (1") screws

Parts supplied for installation:



Installation parts are supplied for double-hung windows up to 101.6cm (40") wide. Installation up to 137cm (54") can be made with a special, wide window kit available from your dealer or service center.

Panel A

Electrical requirements

! WARNING

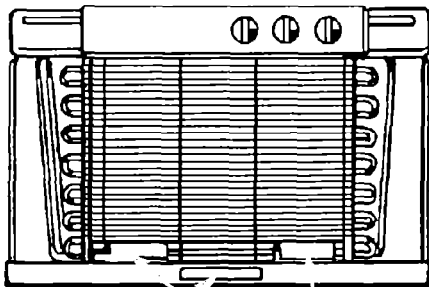
Electrical Shock Hazard

- Electrical ground is required on this appliance.
- If cold water pipe is interrupted by plastic, non-metallic gaskets or other insulating materials, Do Not use for grounding.
- Do Not ground to a gas pipe.
- Do Not modify the power supply cord plug. If it does not fit the outlet, have a proper outlet installed by a qualified electrician.
- Do Not have a fuse in the neutral or grounding circuit. A fuse in the neutral or grounding circuit could result in electrical shock.
- Do Not use an extension cord with this appliance.
- Check with a qualified electrician if you are in doubt as to whether the appliance is properly grounded.
- Grounding wire must be connected to grounding screw located in lower right corner of air conditioner when air conditioner is in cabinet.
Failure to follow these instructions could result in serious injury or death.

If codes permit and a separate grounding wire is used, it is recommended that a qualified electrician determine that the grounding path is adequate.

A three-wire, single-phase, 60-Hz, AC only, electrical supply is required on a separate circuit. A time-delay fuse or circuit breaker is required.

The model and serial label is located behind the front panel on the front flange of the base.



model
and serial
label

handles

Wiring requirements

! WARNING

Electrical Shock Hazard

Disconnect power supply cord from receptacle before servicing. Refer to serial/rating plate for BTU capacity, amperage, voltage and refrigerant charge specifications.

Plug Type A	Plug Type B	Plug Type C
Receptacle Voltage (60 Hz AC only)		
230 volt (207 min.- 253 max.) or 230/208 volt (197.6 min.- 253 max.)	230 volt (207 min.- 253 max.) or 230/208 volt (197.6 min.- 253 max.)	230 volt (207 min.- 253 max.) or 230/208 volt (197.6 min.- 253 max.)
0- thru 16-amp	0- thru 12- amp	0- thru 24-amp
Time delay fuse or circuit breaker rating		
20 amps	15 amps	30 amps
Minimum receptacle wire size (Copper wire only)		
12 gauge	14 gauge	10 gauge
Branch circuit single outlet only		

Recommended grounding method

For your personal safety, this appliance must be grounded. This appliance is equipped with a power supply cord having a 3-prong grounding plug. To minimize possible shock hazard, the cord must be plugged into a mating, 3-prong grounding type wall receptacle, grounded in accordance with the National Electrical Code, ANSI/NFPA 70- latest edition, and all local codes and ordinances. If a mating wall receptacle is not available, it is the personal responsibility and obligation of the customer to have a properly grounded, 3-prong wall receptacle installed by a qualified electrician.

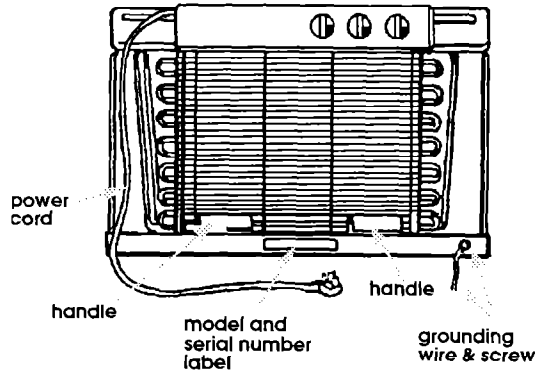
Now start...

With air conditioner in room where it will be installed

WINDOW INSTALLATION

See Panel C for Through-the-wall installation.

Front view of unit with front panel removed.

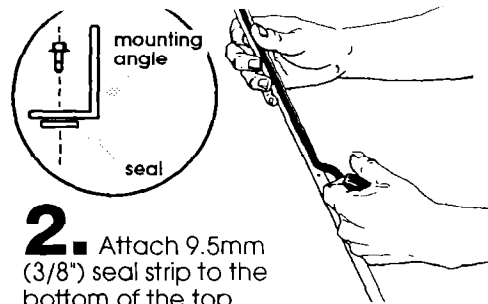


1. Remove grounding screw and grounding wire from front of air conditioner base. Save grounding screw for Step 20.

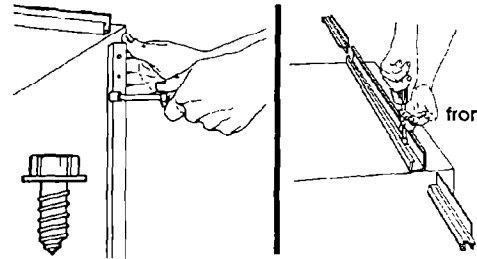
CAUTION

Floor Damage

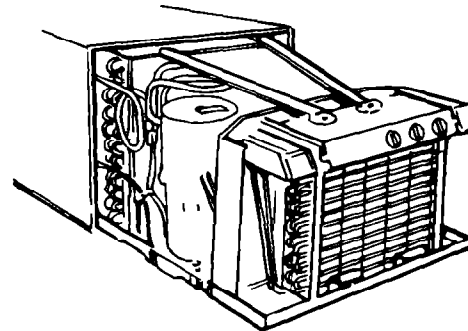
Remove air conditioner from carton and place on cardboard. Failure to do so may cause damage to floor covering.



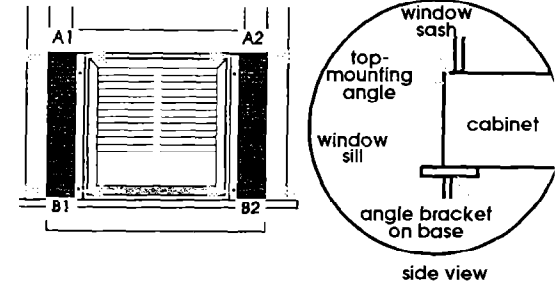
2. Attach 9.5mm (3/8") seal strip to the bottom of the top mounting angle (side with holes). Attach 9.5mm (3/8") seal strip to the bottom of both side mounting angles (side with two holes). Cut strips to length.



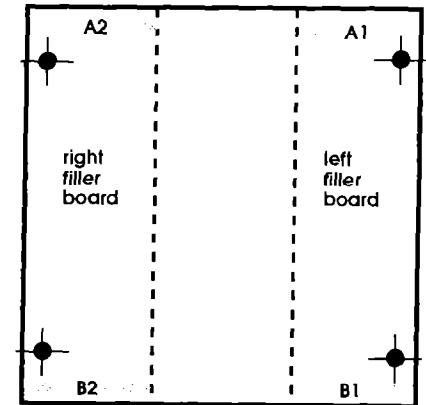
3. Place top mounting angle on cabinet so upright side is toward the front of air conditioner and seal is against cabinet. Attach top-mounting angle with 3, hex-head, metal screws using 6.4mm (1/4") socket and socket wrench. Repeat with side-mounting angles, attaching with 2, hex-head metal screws.



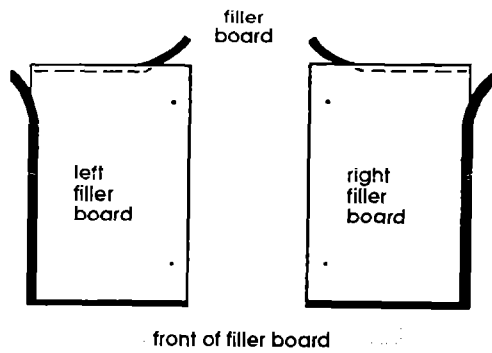
4. Pull on handles; slide air conditioner out of cabinet and place on cardboard.



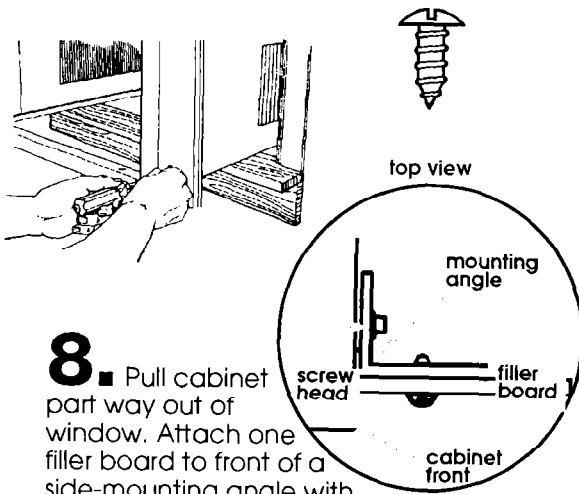
5. Place cabinet in window. Lower sash (window frame) to hold cabinet in place. Measure the distance between the side of the cabinet and inside of the window channel at the top and bottom of the cabinet. Adjust the cabinet until the distance on each side (top and bottom) is the same, so the cabinet is centered in the window. Write down the final measurement.



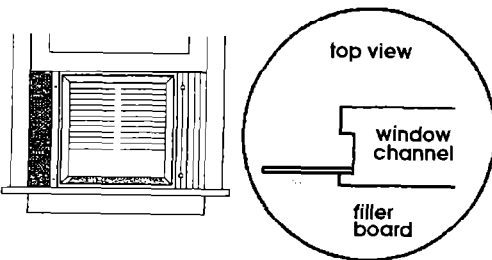
6. Add 3.2mm (1/8") to both open area measurements. Use a saber saw to cut filler boards to fit.



7. Apply 9.5mm (3/8") seal strips to bottom and outside of filler boards. The top seal goes on back side of filler boards.

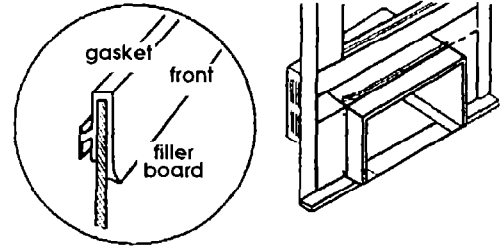


8. Pull cabinet part way out of window. Attach one filler board to front of a side-mounting angle with 9.5mm (3/8") round-head screws.

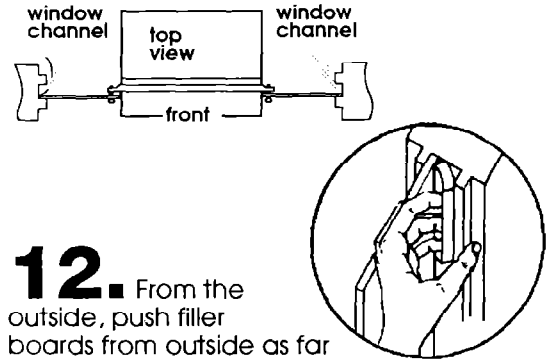


9. Place cabinet back into the window with filler board tight against window channel.

10. Insert other filler board into window channel on opposite side of cabinet. Push filler board against side-mounting angle and attach with 9.5mm (3/8") round-head screws.



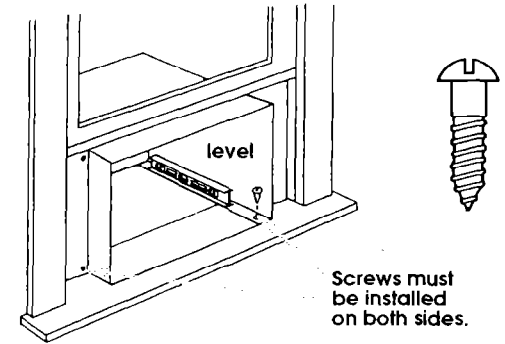
11. Measure from inside edge of window frame to other inside edge. Cut window gasket with square ends to fit. Raise window sash slightly and place gasket over top-mounting angle and filler boards.



12. From the outside, push filler boards from outside as far forward in window channels as possible.

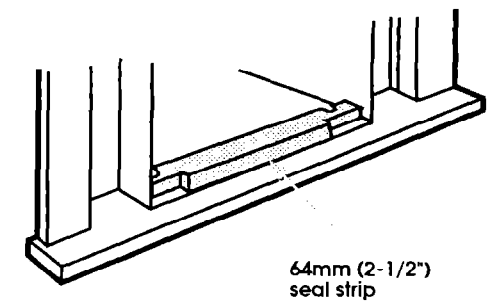
13. Measure the distance between the channel edge and the filler board. Cut foam blocks 6.4mm (1/4") wider. Insert blocks into channel behind filler boards.

! CAUTION
Floor Damage
 Check that air conditioner cabinet is tilted to the outside so that water will run to the outside. Failure to do so may cause damage to floor covering.

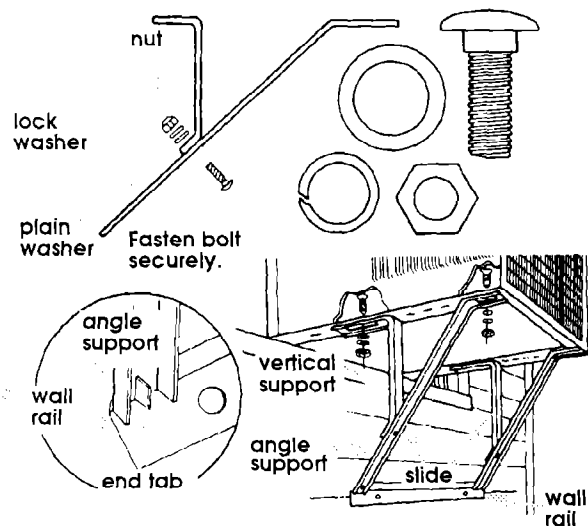


14. Lower window sash. Place level inside cabinet on the right side. There should be a tilt to the outside of approximately one bubble. Place the level on the left side and check.

15. Use a 2.4mm (3/32") drill bit to drill starter holes in the cabinet and into the window sill. Fasten cabinet to the sill with two wood screws.



16. Place the 64mm (2-1/2") seal strip inside the cabinet as shown. Make seal flush with cabinet front edge. (This seal strip fits between the air conditioner base and the cabinet.)



17. Secure vertical and angle supports together. Attach supports to bottom of cabinet. But Do Not tighten bolts at this time. Attach wall rail to angle supports. Slide each support assembly toward house until wall rail is positioned firmly against wall.

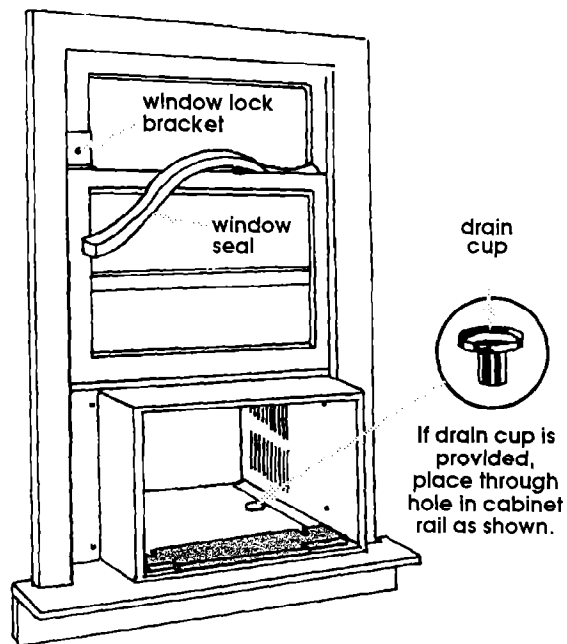
Note: If your house is constructed of material that could be damaged by wall-mounting support, fasten a board between wall rail and house.

18. Tighten bolts securely with a 11.1mm (7/16") socket and socket wrench. Tighten angled support bolts last so wall rail fits tightly against house.

! WARNING

Personal Injury/Product Damage Hazard

Install window-lock bracket to prevent air conditioner from falling out of window. Failure to do so could result in personal injury or product damage.



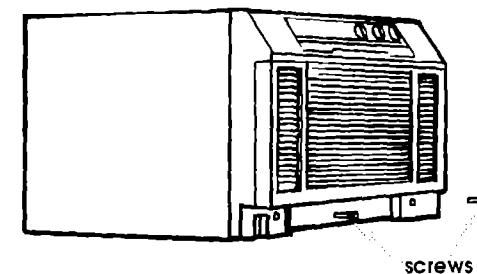
19. Insert window rail seal behind the top of the lower window sash and against the glass of the upper window. Place window-lock bracket on top of lower window and against upper window sash. Use a 2.4mm (3/32") drill bit to drill a starter hole through the hole in the bracket. Attach window-lock bracket. Seal small openings around window with gum-type sealer.

! WARNING

Electrical Shock Hazard

Grounding wire from the air conditioner must be connected to the cabinet. Failure to do so could result in electrical shock.

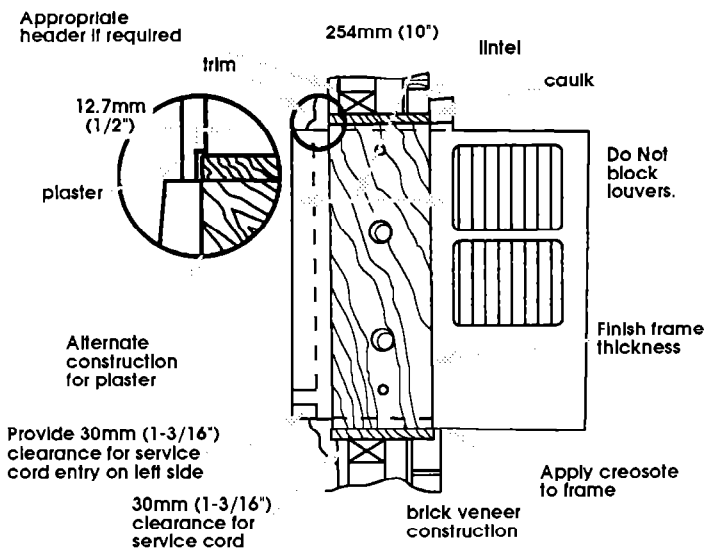
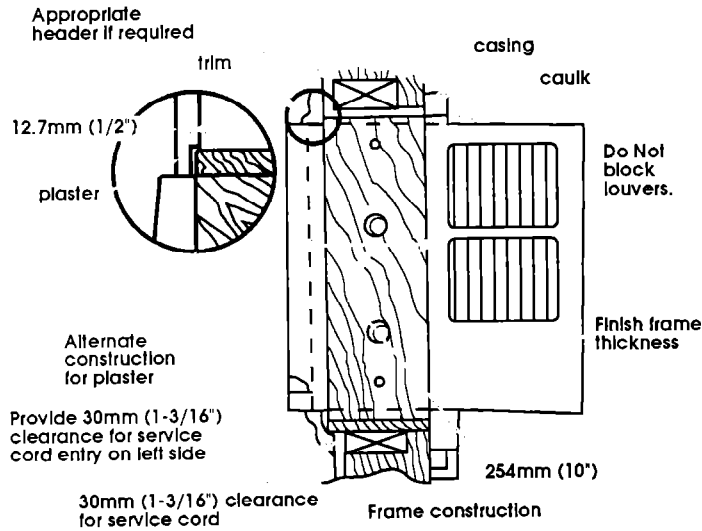
20. Insert air conditioner into cabinet. Reattach grounding wire to grounding screw. Put excess grounding wire between coil and grey beaded foam.



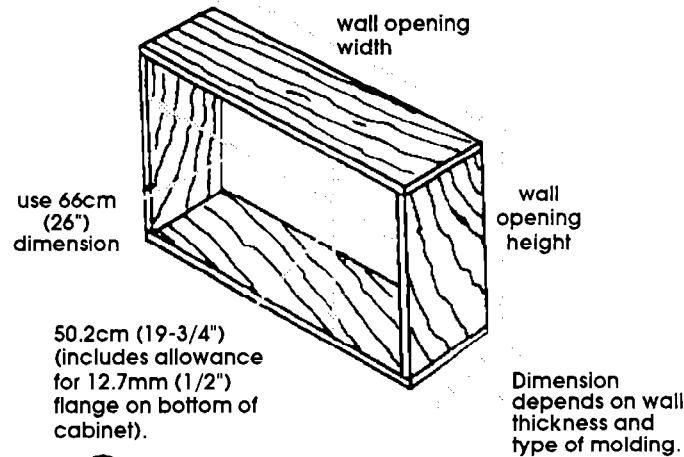
21. Attach front by first removing the two, #8 x 9.5mm (3/8") screws from base; then insert front tabs into top of cabinet and swing front in place. Attach bottom of front by reinserting the two, #8 x 9.5mm (3/8") screws.

**THROUGH-THE-WALL INSTALLATION
INSTRUCTIONS... FOR SLIDE-OUT
CHASSIS MODEL ONLY.**

It is the customer's responsibility and obligation to have this product installed by a qualified technician familiar with through-the-wall room air conditioner installations.



1. When using a wood, metal or plastic molding, the finish frame should line up with inside wall. If the plastered wall is to be flush with the cabinet and no molding is used, the finish frame must be set 12.7mm (1/2") into the wall.



2. Cut opening through the wall. Remove insulation.

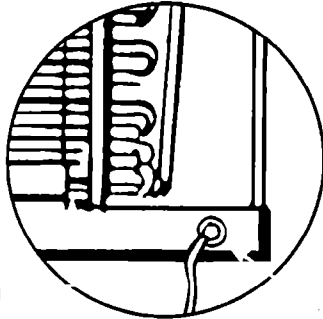
3. Use 25.4mm (1") or heavier lumber for wood frame. Measure depth of wall opening and frame. Apply wood preservative to the outside exposed surface.

- 4.** Insert the frame in the wall opening. Square the level frame. Nail frame securely to the wall studs.

CAUTION

Floor Damage

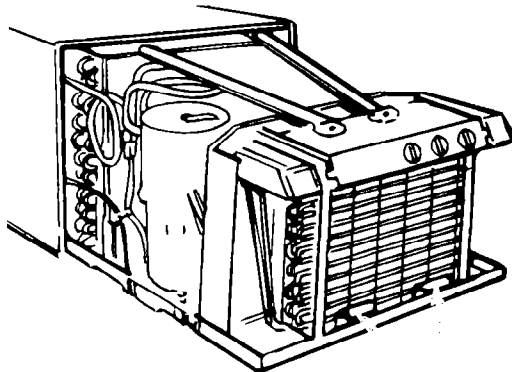
Remove air conditioner from carton and place on cardboard. Failure to do so may cause damage to floor covering.



grounding wire

grounding wire screw

- 5.** Remove grounding screw and grounding wire from front of air conditioner. Save grounding screw for Step 12.



handles

- 6.** Pull on handles; slide air conditioner out of cabinet and place on cardboard.

- 7.** Insert cabinet into wall opening. The top of the cabinet should extend 12.7mm (1/2") into room. If there is trim, the cabinet should extend 12.7mm (1/2") in front of trim.

CAUTION

Floor Damage

Check that air conditioner cabinet is tilted to the outside so that water will run to the outside. Failure to do so may cause damage to floor covering.

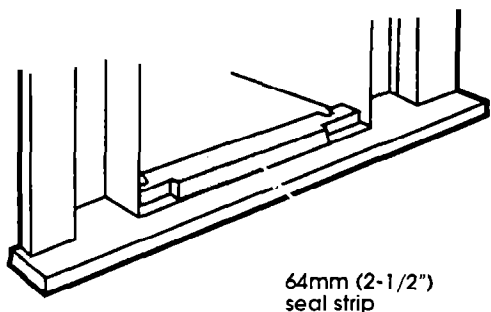
- 8.** Place level inside cabinet on the right side. There should be a tilt to the outside of approximately one bubble. Place the level on the left side and check.

- 9.** Use the insulation removed in Step 2 to seal opening between cabinet and frame.

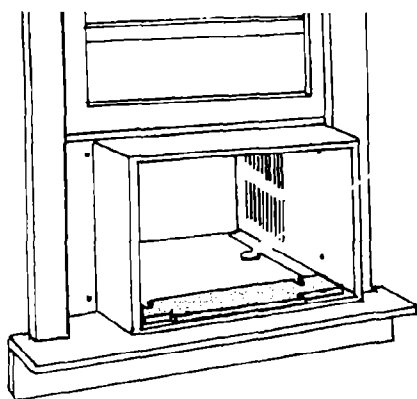
- 10.** Drill four holes on each side and two through the top of the cabinet into the frame. Use ten #10 x 25.4mm (1") wood screws to attach cabinet to frame. **Do Not overtighten screws or cabinet will distort and provide a poor air seal between cabinet and air conditioner.**

! WARNING

Electrical Shock Hazard
Grounding wire from the air conditioner must be connected to the cabinet.
Failure to do so could result in electrical shock.

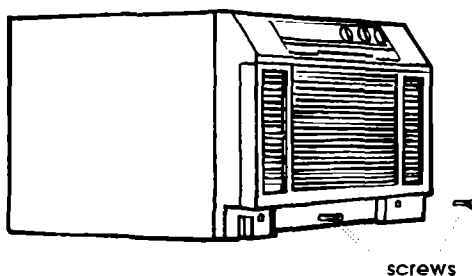


11. Place the 64mm (2-1/2") seal strip inside the cabinet as shown. Make seal flush with cabinet front edge. (This seal strip fits between the air conditioner base and the cabinet.)



12. Place drain cup through hole in cabinet rail as shown.

13. Insert air conditioner into cabinet. Reattach grounding wire to grounding screw. Put excess grounded wire between coil and grey beaded foam.



14. Attach front by first removing the two, #8 x 9.5mm (3/8") screws from base; then insert front tabs into top of cabinet and swing front in place. Attach bottom of front by reinserting the two, #8 x 9.5mm (3/8") screws.

15. Caulk all outside wall openings around cabinet.

16. If needed, install molding around room side of cabinet.

If your air conditioner is not operating properly...

Check that the circuit breaker is not tripped or house fuse blown. Check that power supply cord is securely plugged into the electrical outlet.

If you need assistance...

Check your Use and Care Guide for a toll-free number to call, or call the dealer from whom you purchased this appliance. The dealer is listed in the Yellow Pages of your phone directory under "Appliances — Major."

When you call, you will need the model number and serial number. Both numbers can be found on the serial/rating plate located behind the front panel on the front flange of the base.

Instructions d'installation

Pièce n° 1163185

**IMPORTANT:
Lire et conserver
ces instructions.**

IMPORTANT:

Installateur: Remettre la brochure des instructions d'installation au propriétaire.

Propriétaire: Conserver la brochure des instructions d'installation pour référence ultérieure.

Conserver les instructions d'installation pour utilisation par l'inspecteur local des installations électriques.

Climatiseur

Avant de commencer...

La responsabilité de la réalisation d'une installation correcte incombe au client, ainsi que la responsabilité de respecter les spécifications fournies. Vérifier d'abord que tout le matériel nécessaire est disponible. Une prise de courant électrique reliée à la terre doit être disponible à proximité. Voir les exigences concernant l'installation électrique.

AVERTISSEMENT

Risque de choc électrique

C'est au client qu'incombe la responsabilité de:

- Contacter un électricien qualifié.
- Veiller à ce que l'installation électrique soit adéquate et qu'elle satisfasse les stipulations de la dernière édition* du Code national des installations électriques ANSI/NFPA 70 et les codes et règlements locaux.

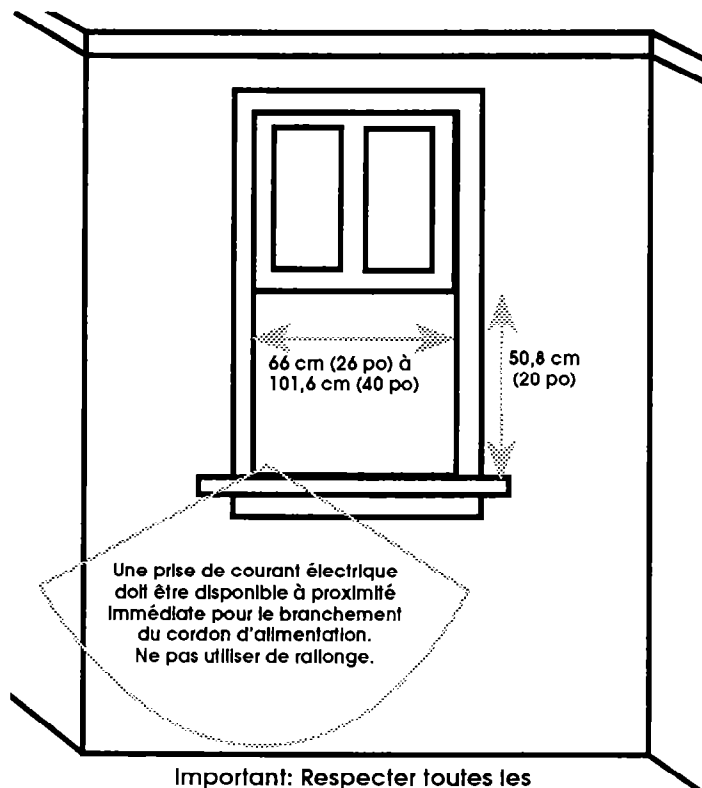
Le non-respect de ces instructions peut susciter un incendie, un choc électrique ou autres blessures.

Inspecter l'endroit où le climatiseur sera installé. L'emplacement d'installation doit comporter:

- Une fenêtre de taille suffisante.
- Un support mural suffisant, capable de supporter le poids du climatiseur.
- Une prise de courant électrique accessible pour le branchement du cordon d'alimentation.
- Circulation libre de l'air vers les pièces à refroidir.

Des exemplaires des normes mentionnées sont disponibles auprès de la:

*National Fire Protection Association
Batterymarch Park
Quincy, Massachusetts 02269



Important: Respecter toutes les dispositions des codes et règlements en vigueur.

AVERTISSEMENT

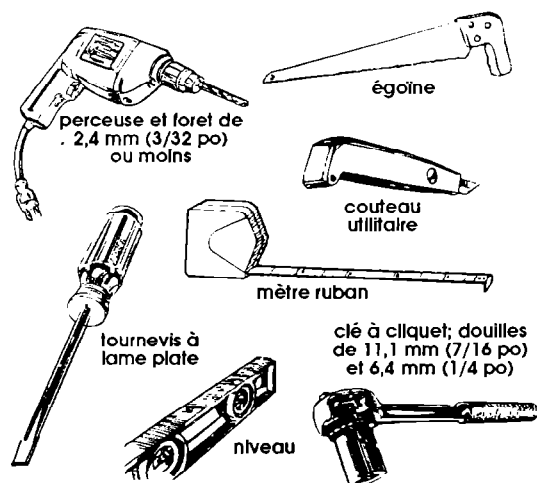
Risque de blessures et de dommages pour le produit

- Du fait du poids et de la taille du climatiseur, deux personnes au moins doivent participer aux opérations de levage, déplacement et installation en sécurité.
- Manipuler le climatiseur avec prudence. Les lamelles métalliques des échangeurs de chaleur avant et arrière sont acérées.
- NE PAS consommer l'eau qui circule à l'intérieur du climatiseur. Sa qualité hygiénique n'est pas suffisante.
- Maintenir une bonne prise sur le climatiseur pour qu'il ne tombe pas par la fenêtre pendant l'installation.
- NE PAS installer le climatiseur dans un endroit où l'avant de la caisse serait exposé à une source de chaleur susceptible de porter la température superficielle à plus de 48,9 °C (120 °F).

Le non-respect de ces instructions peut susciter des blessures ou des dommages pour le produit.

Les spécifications d'alimentation électrique sont mentionnées dans le tableau. Observer les prescriptions concernant le type de fiche de branchement du cordon d'alimentation.

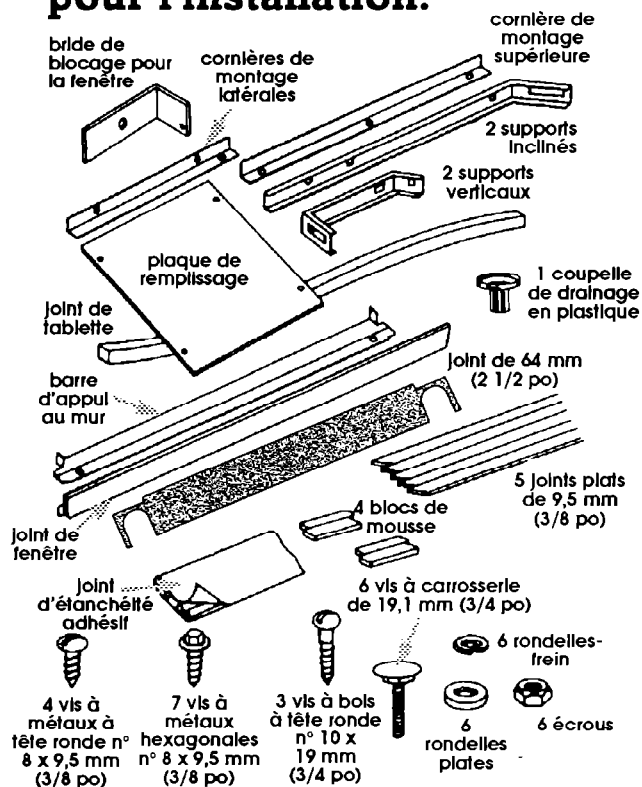
Outillage et fournitures nécessaires pour l'installation:



Installations à travers un mur :

- produit préservatif pour bois
- 10 vis n° 10 x 25,4 mm (1 po)

Pièces fournies pour l'installation:



Les pièces nécessaires pour l'installation sont fournies pour les fenêtres à guillotine allant jusqu'à 101,6 cm (40 po) de largeur. Il est possible d'installer le climatiseur dans une fenêtre de 137 cm (54 po) de largeur; pour cela, utiliser l'ensemble de pièces spéciales disponible chez le concessionnaire ou au centre de service.

Installation électrique



AVERTISSEMENT

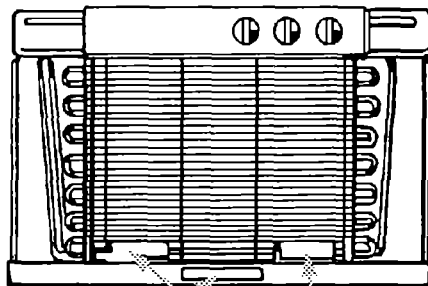
Risque de choc électrique

- Cet appareil doit être relié à la terre.
 - Si la continuité de la tuyauterie d'eau froide est interrompue par un tuyau en matière plastique, des joints non métalliques ou d'autres matériaux isolants, NE PAS l'utiliser pour la liaison à la terre.
 - NE PAS relier à un tuyau à gaz.
 - NE PAS modifier la fiche de branchement du cordon d'alimentation. Si la fiche ne pénètre pas correctement dans la prise de courant, faire installer une prise de courant convenable par un électricien qualifié.
 - NE JAMAIS installer un fusible dans le conducteur neutre ou au sein du circuit de liaison à la terre. La présence d'un fusible au sein du conducteur neutre ou du circuit de liaison à la terre peut susciter un choc électrique.
 - NE PAS utiliser un câble de rallonge pour alimenter cet appareil.
 - Demander à un électricien qualifié de contrôler l'installation en cas de doute en ce qui concerne la liaison correcte à la terre de l'appareil.
 - Le fil de liaison à la terre doit être relié à la vis de liaison à la terre située dans le coin inférieur droit du climatiseur, lorsque ce dernier est dans la caisse.
- Le non-respect de ces instructions peut susciter de graves blessures ou un accident mortel.

Si les codes permettent l'utilisation d'un fil de liaison à la terre distinct, il est recommandé qu'un électricien qualifié détermine si la trajectoire pour la liaison à la terre est correcte.

L'appareil doit être alimenté par un circuit électrique distinct CA monophasé à trois fils, 60 Hz. Le circuit doit être protégé par un disjoncteur ou fusible temporisé.

L'étiquette signalétique indiquant le numéro de modèle et le numéro de série est située derrière le panneau avant, sur le rebord avant de la base.



étiquette du
numéro de
modèle et du
numéro de série

poignées

Câblage de l'appareil



AVERTISSEMENT

Risque de choc électrique

Avant d'entreprendre des travaux de réparation, débrancher le cordon d'alimentation de la prise de courant. Au sujet de la capacité thermique (BTU), de la tension et de l'intensité du courant d'alimentation, et de la charge de réfrigérant, consulter la plaque signalétique.

Fiche de type A	Fiche de type B	Fiche de type C
Voltage de la prise de courant (60 Hz, CA seulement)		
230 volts (207 min. - 253 max.) ou 230/208 volts (197.6 min. - 253 max.)	230 volts (207 min. - 253 max.) ou 230/208 volts (197.6 min. - 253 max.)	230 volts (207 min. - 253 max.) ou 230/208 volts (197.6 min. - 253 max.)
0 à 16 ampères	0 à 12 ampères	0 à 24 ampères
Demande du fusible temporisé ou du disjoncteur		
20 ampères	15 ampères	30 ampères
Calibre minimum des fils (Fils de cuivre seulement)		
calibre 12	calibre 14	calibre 10
Type de circuit d'alimentation		
prise de courant unique seulement		

MÉTHODE DE RACCORDEMENT A LA TERRE

Pour la sécurité personnelle des utilisateurs, il faut que cet appareil soit relié à la terre. Cet appareil est alimenté par un cordon d'alimentation comportant une fiche de branchement à trois broches, pour liaison à la terre. Pour minimiser le risque de choc électrique, brancher le cordon d'alimentation sur une prise de courant murale reliée à la terre conformément aux stipulations de la dernière édition du Code national des installations électriques ANSI/NFPA 70, et les codes et règlements locaux. Si une prise de courant compatible avec la fiche de branchement n'est pas disponible, c'est au client qu'incombe l'obligation de faire installer une prise de courant murale à trois broches convenablement reliée à la terre, par un électricien qualifié.

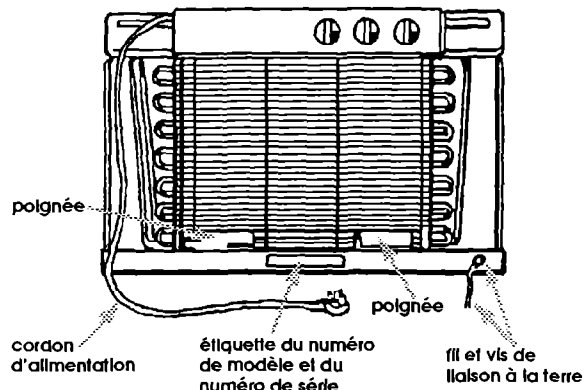
Début de l'installation...

Le climatiseur doit être dans la pièce où il sera installé.

INSTALLATION SUR FENÊTRE

Pour l'installation à travers un mur, voir le panneau C.

Vue avant de l'appareil, le panneau avant étant enlevé.



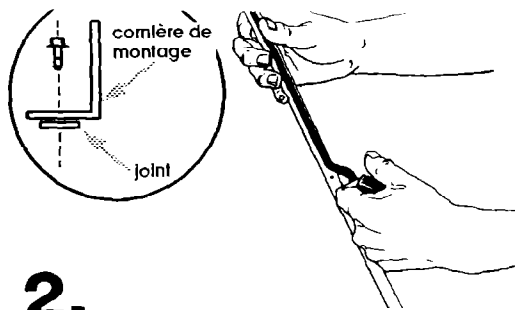
1. Ôter la vis de liaison à la terre et déconnecter le fil de liaison à la terre de la base avant du climatiseur. Conserver la vis de liaison à la terre pour l'étape 20.



MISE EN GARDE

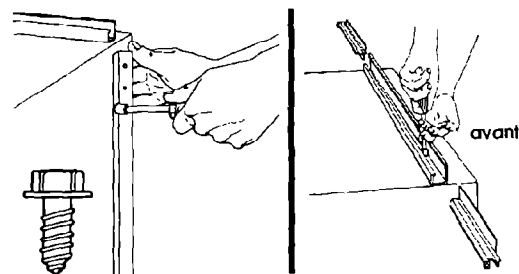
Protection du plancher

Retirer le climatiseur de son emballage en carton; le mettre sur le carton pour qu'il n'endommage pas le revêtement du sol.



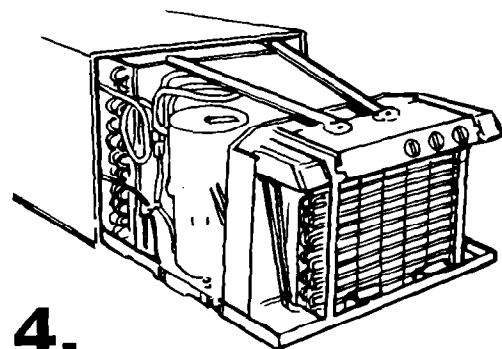
2.

Fixer un joint de 9,5 mm (3/8 po) au fond de la cornière de montage supérieure (côté avec les trous). Fixer un joint de 9,5 mm (3/8 po) au fond des deux cornières de montage latérales (côté avec deux trous). Couper les joints à la longueur correcte.



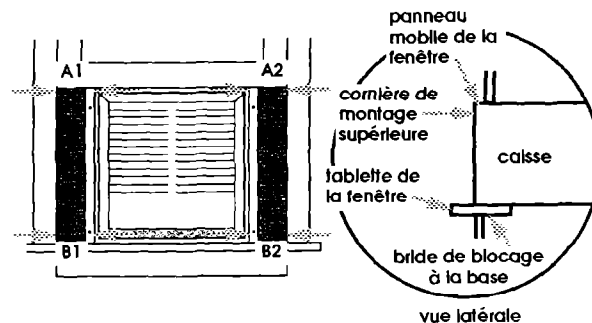
3.

Mettre la cornière de montage supérieure sur la caisse de manière que l'aile la plus grande soit orientée vers l'avant du climatiseur et que le joint soit en contact étroit avec la caisse. Fixer la bride de montage supérieure avec les 3 vis à métaux à tête hexagonale, à l'aide de la clé à cliquet et de la douille de 6,4 mm (1/4 po). Répéter les mêmes opérations pour les cornières de montage latérales; fixer ces cornières avec 2 vis à métaux à tête hexagonale.



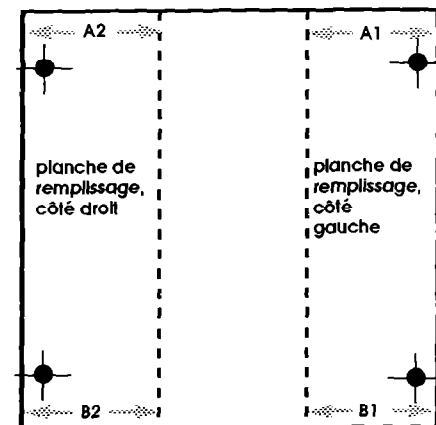
4.

Tirer sur les poignées; extraire le climatiseur de la caisse et le mettre sur le carton.



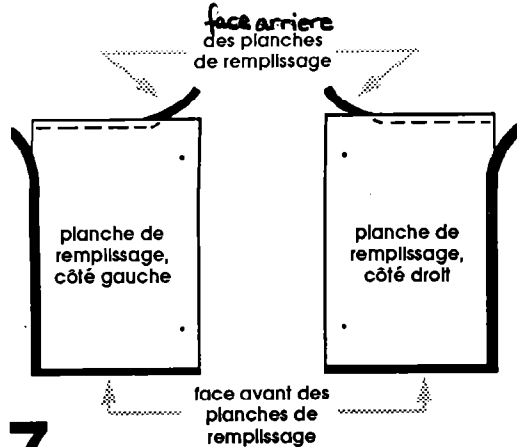
5.

Mettre la caisse du climatiseur dans la fenêtre. Abaisser le panneau mobile de la fenêtre pour qu'il maintienne la caisse en place. Mesurer la distance entre la paroi de la caisse et l'intérieur de l'élément profilé de la fenêtre au-dessus et au-dessous de la caisse. Positionner la caisse de manière que la distance soit la même (en haut et en bas) pour que la caisse du climatiseur soit centrée dans la fenêtre. Noter les mesures finales.

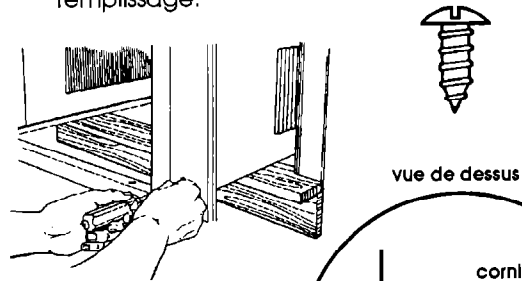


6.

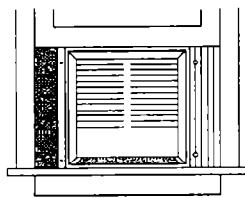
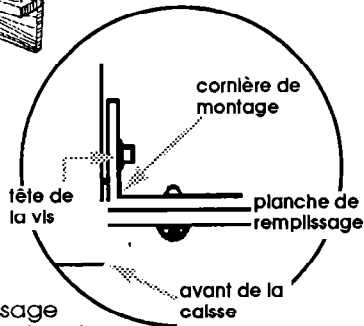
Ajouter 3,2 mm (1/8 po) aux deux mesures de l'espace libre. À l'aide d'une égoïne, découper des planches de remplissage de taille convenable.



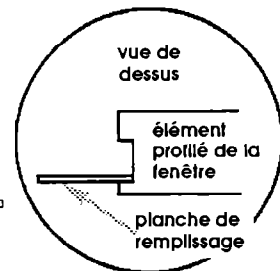
7. Placer des joints d'étanchéité de 9,5 mm (3/8 po) en bas et à l'extérieur des planches de remplissage. Le joint supérieur devra être placé sur la face arrière des planches de remplissage.



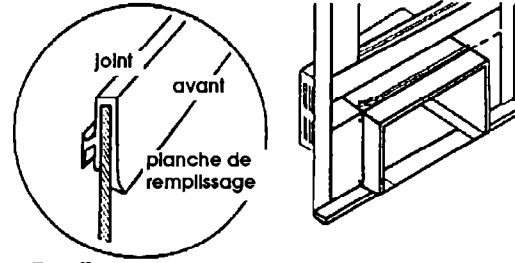
8. Tirer partiellement la caisse hors de la fenêtre. Fixer une planche de remplissage à l'avant d'une cornière de montage latérale avec des vis à tête ronde de 9,5 mm (3/8 po).



9. Mettre l'arrière de la caisse dans la fenêtre, de manière que la planche soit en contact étroit avec l'élément profilé de la fenêtre.



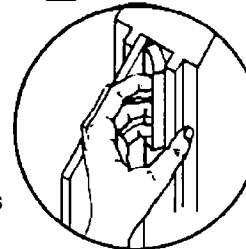
10. Insérer l'autre planche de remplissage dans l'élément profilé de la fenêtre, du côté opposé. Pousser la planche de remplissage contre la cornière de montage latérale; fixer avec des vis à tête ronde de 9,5 mm (3/8 po).



11. Mesurer la distance d'un bord intérieur de la fenêtre jusqu'à l'autre bord intérieur. Découper un joint à l'équerre, de même longueur. Soulever légèrement le panneau mobile de la fenêtre et placer le joint sur la cornière de montage supérieure et les planches de remplissage.



12. Depuis l'extérieur, pousser les planches de remplissage aussi loin que possible vers l'avant dans les éléments profilés de la fenêtre.

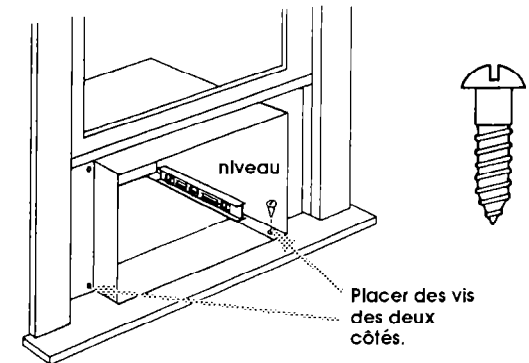


13. Mesurer la distance entre le bord de chaque élément profilé de la fenêtre et la planche de remplissage. Couper des blocs de mousse 6,4 mm (1/4 po) plus larges. Insérer les blocs de mousse dans les éléments profilés, derrière les planches de remplissage.

! MISE EN GARDE

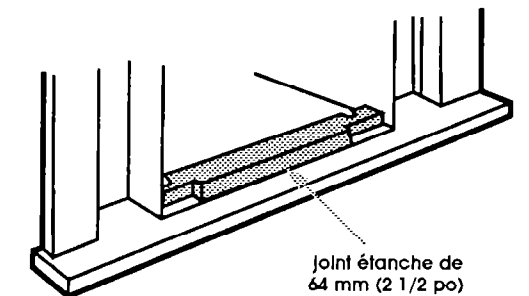
Protection du plancher

Veiller à ce que la caisse du climatiseur soit inclinée vers l'extérieur, afin que l'eau s'écoule à l'extérieur et ne risque pas d'endommager le revêtement du sol.

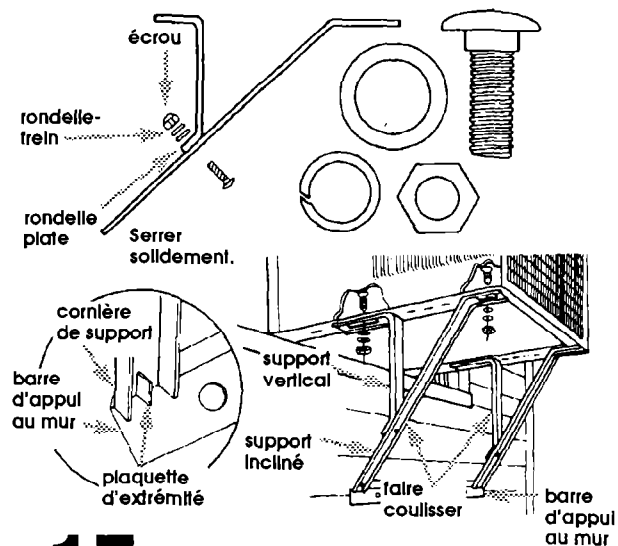


14. Abaisser le panneau mobile de la fenêtre. Placer un niveau à l'intérieur de la caisse, du côté droit. L'inclinaison vers l'extérieur doit être telle que la bulle soit décentrée d'environ une demi-longueur. Placer le niveau du côté gauche, et vérifier de la même manière.

15. Percer des avant-trous avec un foret de 2,4 mm (3/32 po), à travers les trous de la caisse, dans la tablette de la fenêtre. Fixer la caisse sur la tablette de la fenêtre avec deux vis à bois.



16. Mettre le joint étanche de 64 mm (2 1/2 po) à l'intérieur de la caisse tel qu'illustré. Faire en sorte que le joint soit en affleurement avec le rebord avant de la caisse. (Ce joint étanche va entre la base du climatiseur et la caisse.)



17. Fixer ensemble les supports verticaux et supports inclinés. Fixer les supports sous la caisse. Ne pas encore serrer les boulons. Fixer la barre d'appui au mur aux supports inclinés. Faire coulisser chaque ensemble de support vers le mur de la maison jusqu'à ce que la barre d'appui au mur soit fermement appuyée contre le mur.

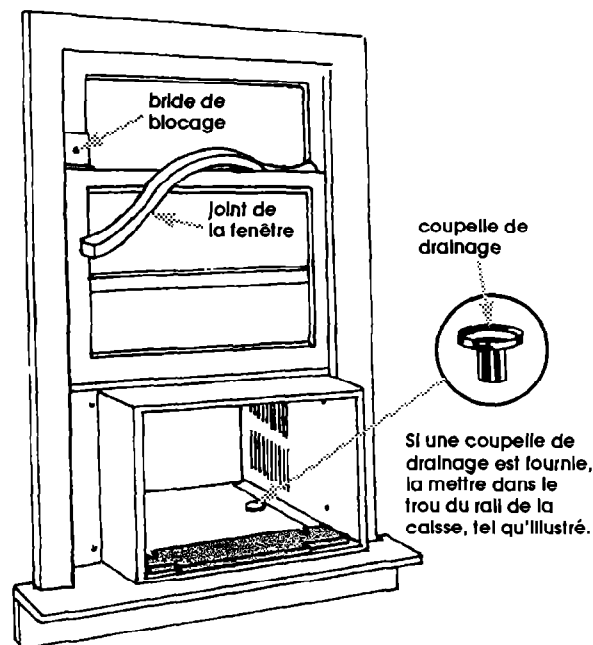
Remarque: Si la maison est construite de matériau que les supports fixés au mur pourraient endommager, mettre une planche de bois entre la barre d'appui au mur et le mur.

18. Serrer solidement les boulons à l'aide de la clé à cliquet et de la douille de 11,1 mm (7/16 po). Serrer les boulons des supports inclinés en dernier lieu, de manière que la barre d'appui au mur soit en contact étroit avec le mur de la maison.

AVERTISSEMENT

Risque de blessures et de dommages pour le produit

Installer une bride de blocage dans la fenêtre pour que le climatiseur ne puisse tomber. Faute de quoi, il y aurait un risque de blessures et de dommages pour le produit.



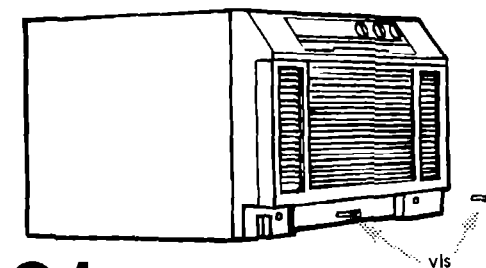
19. Insérer un joint derrière le panneau mobile (inférieur) de la fenêtre, en haut, contre la vitre du panneau supérieur de la fenêtre. Placer la bride de blocage de la fenêtre en haut du panneau inférieur et contre le panneau supérieur. Percer un avant-trou avec un foret de 2,4 mm (3/32 po), à travers le trou de la bride. Fixer la bride de blocage de la fenêtre. Assurer l'étanchéité de l'ouverture autour de la fenêtre avec un joint à surface adhésive.

AVERTISSEMENT

Risque de choc électrique

Le fil de liaison à la terre du climatiseur doit être connecté à la caisse. Sinon, il y a risque de choc électrique.

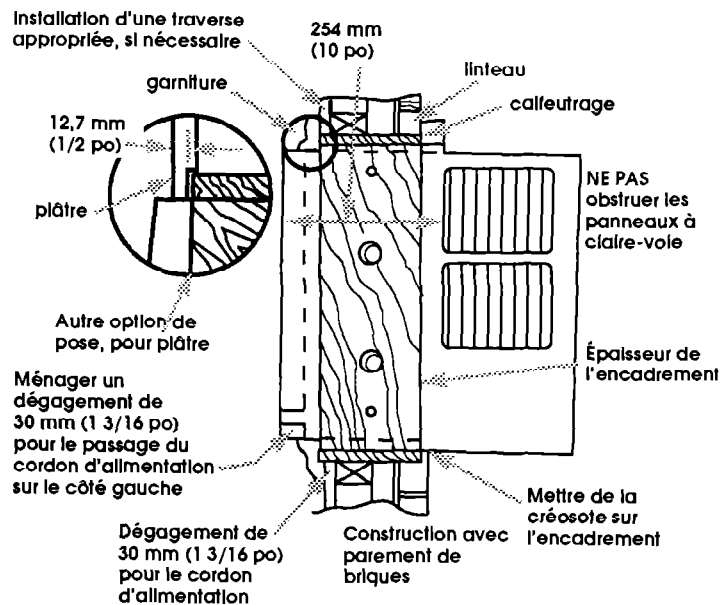
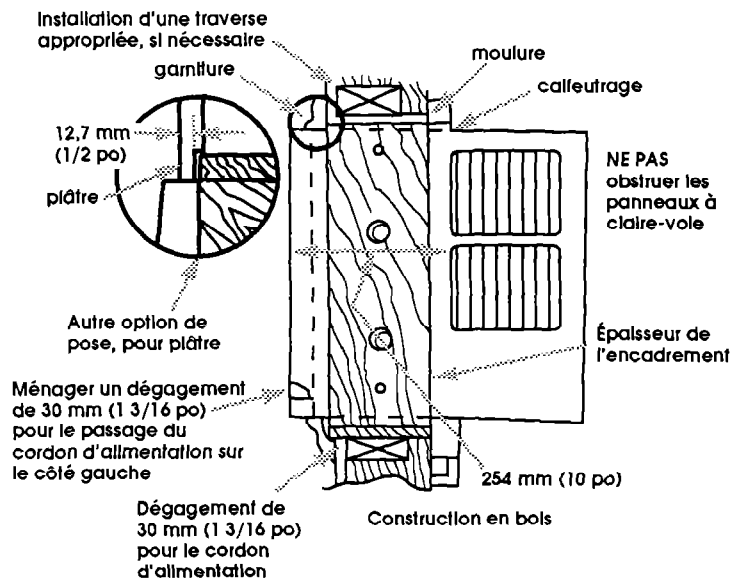
20. Insérer le climatiseur dans la caisse. Connecter le fil de liaison à la terre à la vis de liaison à la terre. Mettre l'excès de fil de liaison à la terre entre l'échangeur de chaleur et la mousse grise.



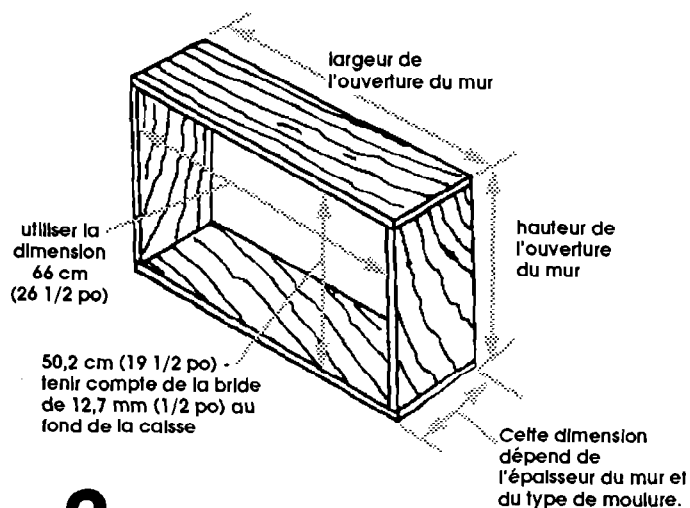
21. Fixer le panneau avant en enlevant d'abord les deux vis n° 8 x 9,5 mm (3/8 po) de la base; puis insérer les attaches de la partie supérieure de la caisse et pousser le panneau avant en place. Fixer la partie inférieure du panneau avant en réinsérant les deux vis n° 8 x 9,5 mm (3/8 po).

INSTRUCTIONS D'INSTALLATION À TRAVERS LE MUR... POUR MODÈLES À CHÂSSIS COULISSANT SEULEMENT.

C'est au client qu'incombe la responsabilité et l'obligation de faire installer ce produit par un technicien qualifié qui connaît bien l'installation d'un climatiseur à travers un mur.



1. Lors de l'utilisation d'une moulure en bois, en métal ou en matière plastique, l'encadrement fini doit être en affleurement avec la surface interne du mur. Si le mur garni de plâtre doit être en affleurement avec la caisse, et si aucune moulure n'est utilisée, l'encadrement final doit être en retrait de 12,7 mm (1/2 po) dans le mur.



2. Découper l'ouverture nécessaire dans le mur. Ôter l'isolant.

3. Pour réaliser l'encadrement de bois, utiliser des planches épaisses de 25,4 mm (1 po) ou plus. Mesurer l'épaisseur du mur dans l'ouverture, et l'encadrement.

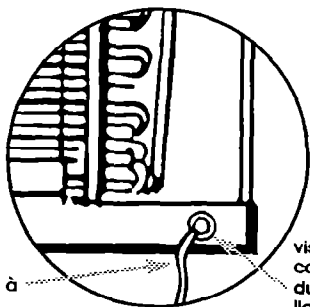
Traiter les surfaces en bois exposées à l'extérieur avec un produit préservatif pour bois.

4. Insérer l'encadrement dans l'ouverture du mur. Établir l'aplomb et l'équerrage. Clouer solidement l'encadrement aux poteaux du colombage mural.

! MISE EN GARDE

Protection du plancher

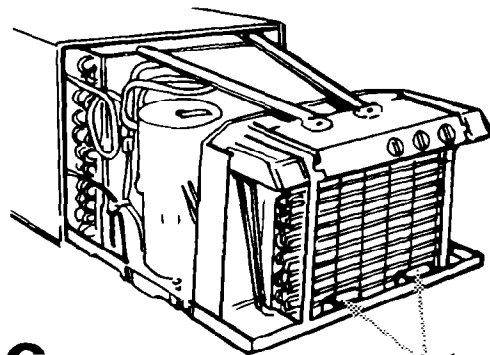
Retirer le climatiseur de son emballage en carton; le placer sur le carton pour qu'il n'endommage pas le revêtement du sol.



fil de liaison à la terre

vis pour connexion du fil de liaison à la terre

5. Ôter la vis de liaison à la terre et déconnecter le fil de liaison à la terre de l'avant du climatiseur. Conserver la vis de liaison à la terre pour l'étape 12.



poignées

6. Tirer sur les poignées; extraire le climatiseur de la caisse et le placer sur le carton.

7. Insérer la caisse du climatiseur dans l'ouverture murale. Le haut de la caisse doit dépasser de 12,7 mm (1/2 po) dans la pièce. Si on installe une moulure de garniture, la caisse doit dépasser de 12,7 mm (1/2 po) au-delà de la garniture.

! MISE EN GARDE

Protection du plancher

Veiller à ce que la caisse du climatiseur soit inclinée vers l'extérieur, afin que l'eau s'écoule à l'extérieur et ne risque pas d'endommager le revêtement du sol.

8. Mettre un niveau à l'intérieur de la caisse, du côté droit. L'inclinaison vers l'extérieur doit être telle que la bulle soit décentrée d'environ une demi-longueur. Mettre le niveau du côté gauche, et vérifier de la même manière.

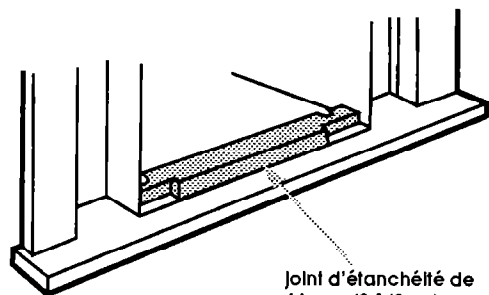
9. Utiliser l'isolant ôté à l'étape 2 pour combler l'ouverture entre la caisse et l'encadrement.

10. Percer quatre trous de chaque côté et deux trous à travers le haut de la caisse, dans l'encadrement. Fixer la caisse à l'encadrement à l'aide des dix vis à bois n° 10 x 25,4 mm (1 po). **Ne Pas serrer excessivement pour ne pas déformer la caisse; il y aurait alors une médiocre étanchéité à l'air entre la caisse et le climatiseur.**

AVERTISSEMENT

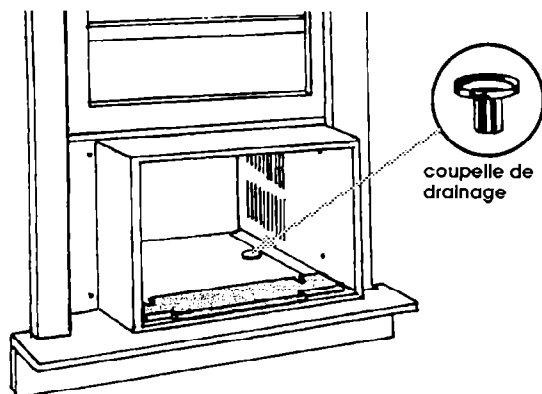
Risque de choc électrique

Le fil de liaison à la terre du climatiseur doit être connecté à la caisse. Sinon, il y a risque de choc électrique.



Joint d'étanchéité de 64 mm (2 1/2 po)

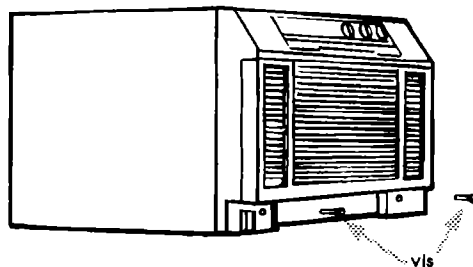
11. Mettre le joint étanche de 64 mm (2 1/2 po) à l'intérieur de la caisse tel qu'illustré. Faire en sorte que le joint soit en affleurement avec le rebord avant de la caisse. (Ce joint étanche va entre la base du climatiseur et la caisse.)



 coupelle de drainage

12. Mettre la coupelle de drainage dans le trou du rail de la caisse, tel qu'illustré.

13. Insérer le climatiseur dans la caisse. Connecter le fil de liaison à la terre à la vis de liaison à la terre. Mettre l'excès de fil de liaison à la terre entre l'échangeur de chaleur et la mousse grise.



14. Fixer le panneau avant en enlevant d'abord les deux vis n° 8 x 9,5 mm (3/8 po) de la base; puis insérer les attaches de la partie supérieure de la caisse et pousser le panneau avant en place. Fixer la partie inférieure du panneau avant en réinsérant les deux vis n° 8 x 9,5 mm (3/8 po).

15. Calfeutrer l'espace entre la caisse et le mur extérieur, autour de la caisse.

16. Si nécessaire, installer une moulure autour de la caisse, à l'intérieur de la pièce.

Si le climatiseur ne fonctionne pas correctement...

Vérifier que le disjoncteur ne s'est pas ouvert ou que le fusible n'est pas grillé. Vérifier que le cordon d'alimentation est solidement branché dans la prise de courant.

Si vous avez besoin d'aide...

Utiliser le numéro d'appel sans frais mentionné dans le Guide d'utilisation et d'entretien ou contacter le concessionnaire qui a vendu l'appareil. Le numéro de téléphone du concessionnaire est indiqué dans les pages jaunes de l'annuaire téléphonique sous la rubrique "Appareils ménagers".

Si vous téléphonez, vous aurez besoin du numéro de modèle et du numéro de série du climatiseur. Ces deux numéros sont indiqués sur la plaque signalétique située derrière le panneau avant, sur le rebord avant de la base.