

Installation Instructions

Built-In Dishwasher

If you have questions, call 800-944-9044(US), 800-245-8352(Canada) or visit our website at: www.Frigidaire.com



BEFORE YOU BEGIN

Read these instructions completely and carefully.

IMPORTANT

— Observe all governing codes and ordinances.

- **Note to Installer** – Be sure to leave these instructions for the consumer's and local inspector's use.
- **Note to Consumer** – Keep these instructions with your Owner's Manual for future reference.
- **Skill Level** – Installation of this dishwasher requires basic mechanical and electrical skills. **Proper installation is the responsibility of the installer. Product failure due to improper installation is not covered under the ELECTROLUX Appliance Warranty.**
- **Completion Time** – 1 to 3 Hours. New installations require more time than replacement installations.

IMPORTANT – The dishwasher **MUST** be installed to allow for future removal from the enclosure if service is required.

If you received a damaged dishwasher, you should immediately contact your dealer or builder.

FOR YOUR SAFETY

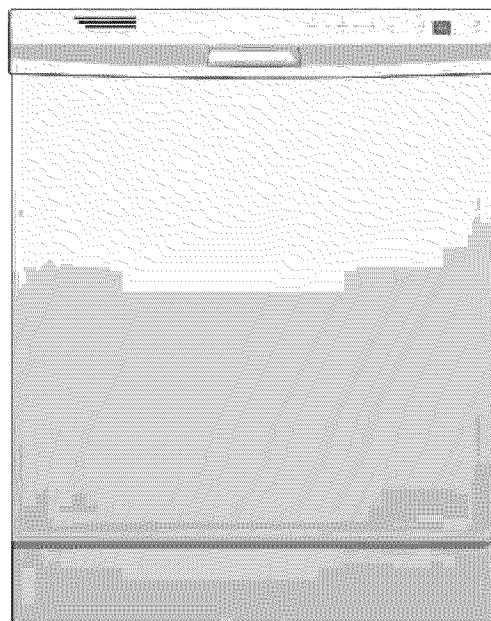
Read and observe all CAUTIONS and WARNINGS shown throughout these instructions. While performing installations described in this booklet, gloves, safety glasses or goggles should be worn.



WARNING

To reduce the risk of electrical shock, fire, or injury to persons, the installer must ensure that the dishwasher is completely enclosed at the time of installation.

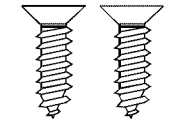
**READ CAREFULLY.
KEEP THESE INSTRUCTIONS.**



Installation Preparation

PARTS SUPPLIED:

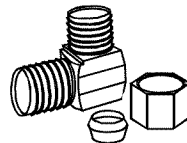
- Two #8 Phillips flat head wood screws, 5/8" long to secure dishwasher to underside of countertop (in literature package).
- Two Phillips head, color matched toekick screws (in literature package).



4 Wood Screws

MATERIALS YOU WILL NEED :

- Ferrule, compression nut and 90° Elbow (3/8" NPT external thread on one end, opposite end sized to fit water supply)
- Thread seal tape
- UL Listed wire nuts (3)



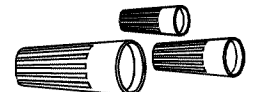
90° Elbow, Ferrule and Compression Nut



Hand Shut-Off Valve



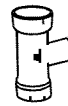
Thread Seal Tape



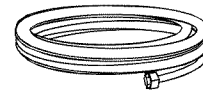
Wire Nuts (3)

Materials For New Installations Only:

- Air gap for drain hose, if required
- Waste tee for house plumbing, if applicable
- Electrical cable or power cord, if applicable
- Screw type hose clamps
- Strain relief for electrical connection.
- Hand shut-off valve
- Water line 3/8" min. copper
- Coupler for extending drain line, if applicable



Waste Tee



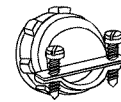
Hot Water line



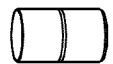
Air Gap



Screw Type Hose Clamps



Strain Relief



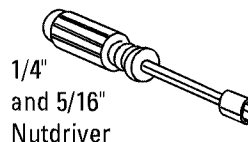
Coupler

TOOLS YOU WILL NEED:

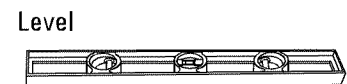
- Phillips head screwdriver
- 5/16" and 1/4" nutdriver
- 6" Adjustable wrench
- Level
- Carpenters square
- Measuring tape
- Safety glasses
- Flashlight
- Bucket to catch water when flushing the line
- Gloves



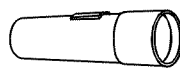
Phillips Head Screwdriver



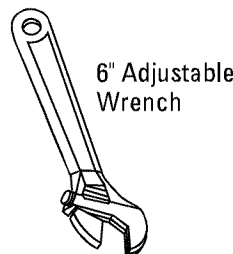
1/4" and 5/16" Nutdriver



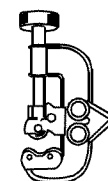
Level



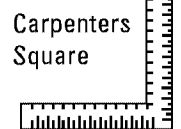
Flashlight



6" Adjustable Wrench



Tubing Cutter



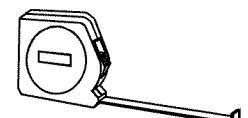
Carpenters Square



Bucket



Safety Glasses



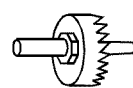
Measuring Tape

For New Installations Only:

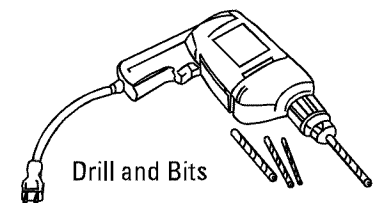
- Tubing cutter
- Drill and appropriate bits
- Hole saw set



Gloves



Hole Saw Set



Drill and Bits

Installation Preparation

PREPARE DISHWASHER ENCLOSURE

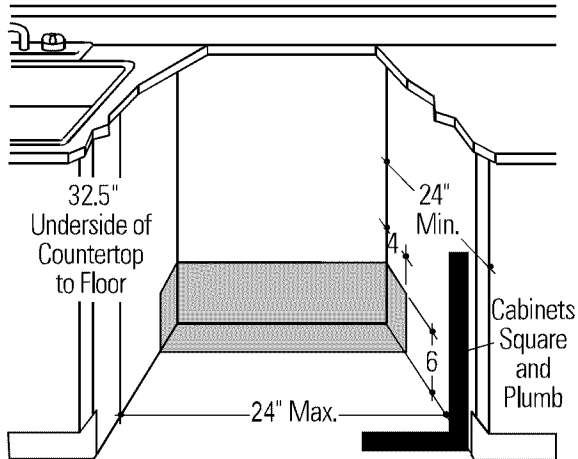


Figure A

Plumbing and Electric Service Must Enter Shaded Area

- The rough cabinet opening must be at least 24" deep and 24" wide. The opening should be 32.5" to 35" max. height.

- The dishwasher must be installed so that drain hose is no more than 10 feet in length for proper drainage.
- The dishwasher must be fully enclosed on the top, sides and back, and must not support any part of the enclosure.

CLEARANCES: When installed into a corner, allow 2" min. clearance between dishwasher and adjacent cabinet, wall or other appliances. Allow 25-5/8" min. clearance from the front of the dishwasher for door opening. Figure B

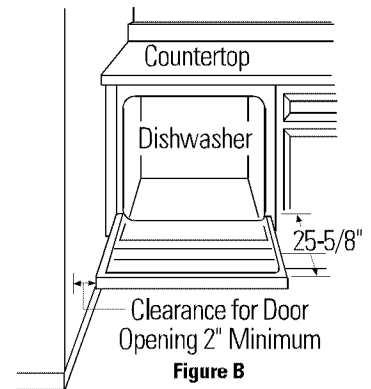


Figure B

Note: ADA installation, (32-1/2") beneath 34" high countertops may be accomplished by adjusting the toekick and leveling legs.

DRAIN REQUIREMENTS

- Follow local codes and ordinances.
- Do not exceed 10 feet distance to drain.
- Do not connect drain lines from other devices to the dishwasher drain hose.
- Dishwasher must be connected to waste line with an air gap (not supplied) or 32" minimum high drain loop, depending on local codes and ordinances to prevent back flow into the dishwasher.
- Air gap must be used if waste tee or disposer connection is less than 18" above the floor to prevent siphoning.

DRAIN PREPARATION

The type of drain installation depends on answers to the following questions:

- Do local codes or ordinances require an air gap?
- Will waste tee or disposer connection be less than 18" above the floor?
- Will installation have a drain loop less than 32" above floor?

If the answer to **ANY** of the 3 questions above is **YES**, **Method 1 MUST be used**. Otherwise either Method 1 or Method 2 may be used. Figure C or Figure D.

! CAUTION:

An air gap **MUST BE USED** if the drain hose is connected to waste tee or disposer lower than 18" above the floor.

Failure to provide the proper drain connection height with air gap or 32" minimum, high drain loop will result in improper draining of the dishwasher.

Method 1 – Air Gap with Waste Tee or Disposer

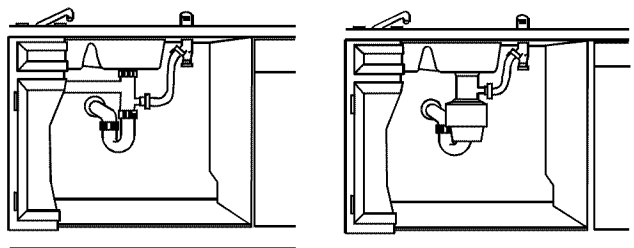


Figure C

Method 2 – High Drain with Waste Tee or Disposer
Provide a method to attach drain hose to underside of countertop.

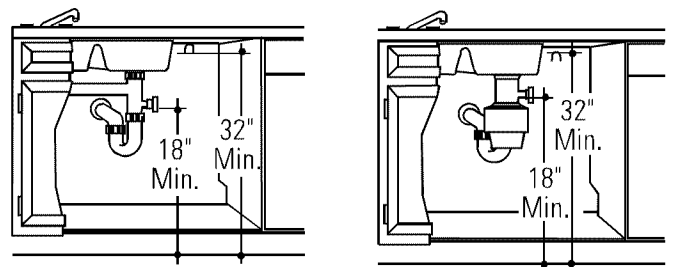


Figure D

Install waste tee or disposer and air gap according to manufacturer's instructions.

CABINET PREPARATION

- Drill a 1-1/2" dia. hole in the cabinet wall within the shaded areas shown in Figure A for the drain hose connection. The hole should be smooth with no sharp edges.

Installation Preparation

PREPARE ELECTRICAL WIRING



WARNING

FOR PERSONAL SAFETY: Remove house fuse or open circuit breaker before beginning installation. Do not use an extension cord or adapter plug with this appliance.

Electrical Requirements

- This appliance must be supplied with 120V, 60 Hz., and connected to an individual properly grounded branch circuit, protected by a 15 or 20 ampere circuit breaker or time delay fuse.
- Wiring must be 2 wire with ground.
- If the electrical supply does not meet the above requirements, call a licensed electrician before proceeding.

Grounding Instructions – Cable Direct

This appliance must be connected to a grounded metal, permanent wiring system, or an equipment grounding conductor must be run with the circuit conductors and be connected to the equipment grounding terminal or lead on the appliance.

Grounding Instructions – Power Cord Models

This appliance must be grounded. In the event of a malfunction or breakdown, grounding will reduce the risk of electrical shock by providing a path of least resistance for electric current. The plug must be plugged into an appropriate outlet that is installed and grounded in accordance with local codes and ordinances.



WARNING

The improper connection of the equipment grounding conductor can result in a risk of electric shock. Check with a qualified electrician or service representative if you are in doubt that the appliance is properly grounded.

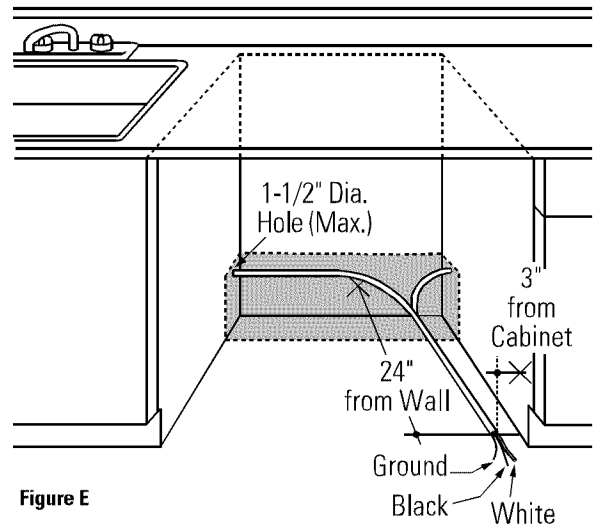


Figure E

Cabinet Preparation & Wire Routing

- The wiring may enter the opening from either side, rear or the floor within the shaded area.
- Cut a 1-1/2" max. dia. hole to admit the electrical cable. The hole must be free of sharp edges. If the cabinet wall is metal, the hole edge must be covered with a bushing.
- Cable direct connections may pass through the same hole as the drain hose and hot water line, if convenient. If cabinet wall is metal, the hole edge must be covered with a bushing. **NOTE** : Power cords with plug must pass through a separate hole.

Electrical Connection to Dishwasher

Electrical connection is on the right front of dishwasher.

- For cable direct connections the cable must be routed as shown in Figure E. Cable must extend a minimum of 24" from the rear wall.
- For power cord connections, install a 3-prong grounding type receptacle. The power-supply receptacle for the appliance shall be installed in a cabinet or on a wall adjacent to the undercounter space in which the appliance is to be installed.

Installation Instructions

PREPARE HOT WATER LINE

- The line may enter from either side, rear or floor within the shaded area shown in Figure F.
- The line may pass through the same hole as the electrical cable and drain hose. Or, cut an additional 1-1/2" dia. hole to accommodate the water line. If power cord with plug is used, water line must not pass through power cord hole.

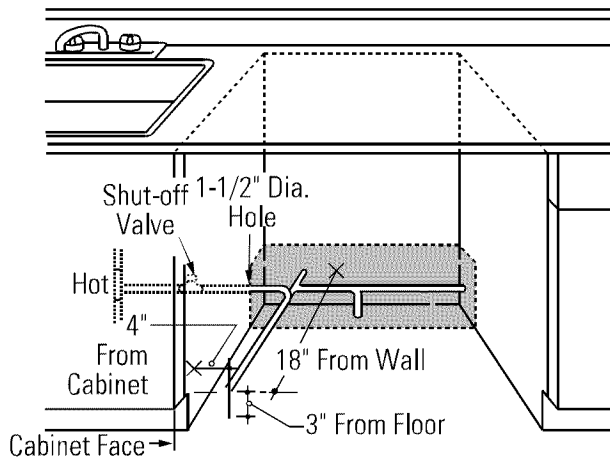


Figure F

Water Line Connection

- Turn off the water supply.
- Install a hand shut-off valve in an accessible location, such as under the sink. (Optional, but strongly recommended and may be required by local codes.)
- Water connection is on the left side of the dishwasher. Install the hot water inlet line, using no less than 3/8" O.D. copper tubing. Route the line as shown in Figure F and extend forward at least 18" from rear wall.
- Adjust water heater for 120°F to 150°F temperature.
- Flush water line to clean out debris.
- The hot water supply line pressure must be 20-120 PSI.



BEFORE YOU BEGIN

Locate and set aside the package containing 2 Phillips head countertop mounting screws and 2 additional toekick screws (located in the literature package).

STEP 1 CHECK DOOR BALANCE

To check the door balance, hold the top of the dishwasher firmly.

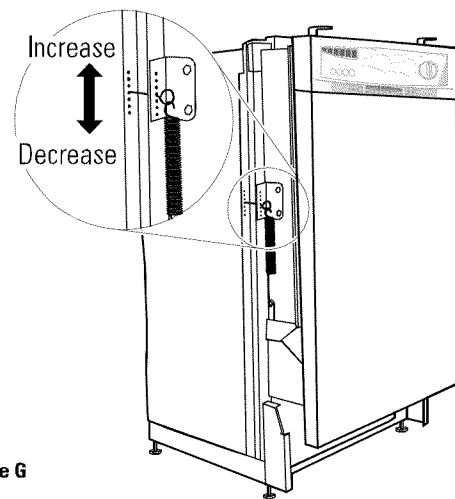


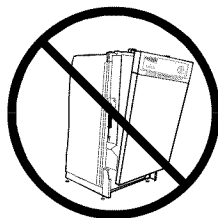
Figure G

- Open the door slowly, if the door drops when released, increase spring tension. If the door closes when released, decrease tension.
- Pull the spring adjustment pin out of the holes, insert in the next highest or lowest hole and test again.
- Adjust both door springs to the same tension.
- Continue moving the spring pin until door is balanced.



CAUTION:

Opening the door will cause the dishwasher to tip forward. **Do not open the door until you are ready to install the dishwasher.** If it is necessary to open the door, hold the top of the dishwasher securely with one hand and hold the door with the other hand.



Installation Instructions

STEP 2 ADJUST LEVELING LEGS

- Move the dishwasher close to the installation location and lay it on its back.

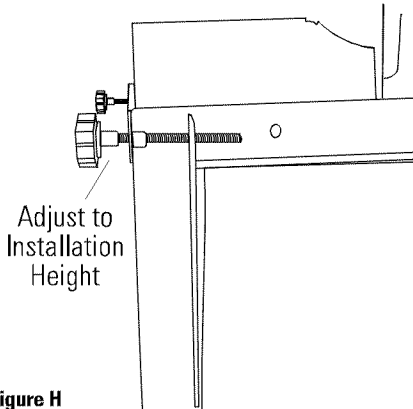


Figure H

- Measure installation height and dishwasher height. Extend leveling legs out from the dishwasher base, 1/4" less than installation height.

STEP 3 REMOVE TOEKICK

- Remove the 2 toekick screws. Lift off the toekick.

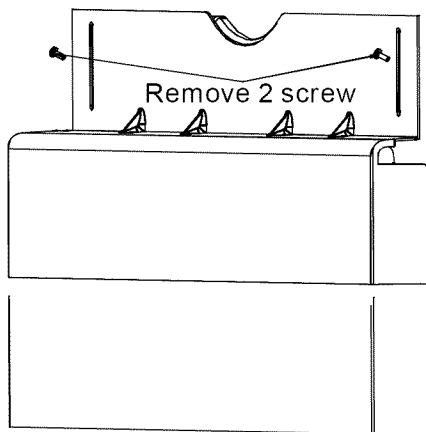


Figure J

STEP 4 INSTALL 90° ELBOW

- Wrap 90° elbow with thread seal tape.
- Install a 90° elbow onto the water valve.

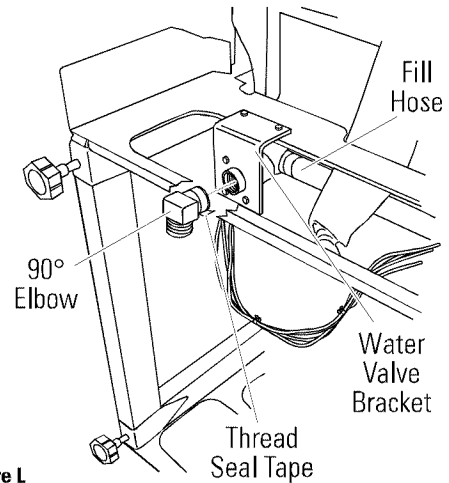


Figure L

- Do not over tighten 90° elbow, water valve bracket could bend or water valve fitting could break.
- Position the end of the elbow to face the rear of the dishwasher.

Installation Instructions

STEP 5 POSITION WATER LINE AND HOUSE WIRING

- Position water supply line and house wiring on the floor of the opening to avoid interference with base of dishwasher and components under dishwasher.

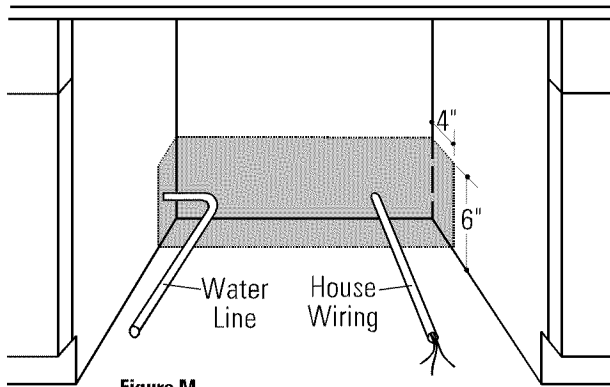


Figure M

STEP 6 INSERT DRAIN HOSE THROUGH CABINET

- Insert drain hose into cabinet wall hole.
If a power cord is used, guide the end through a separate hole.

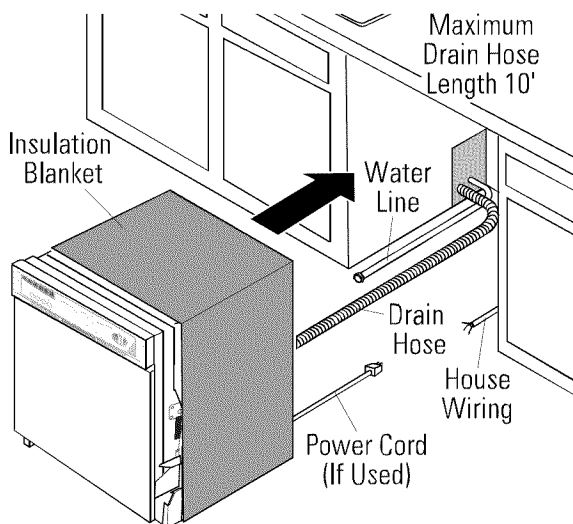


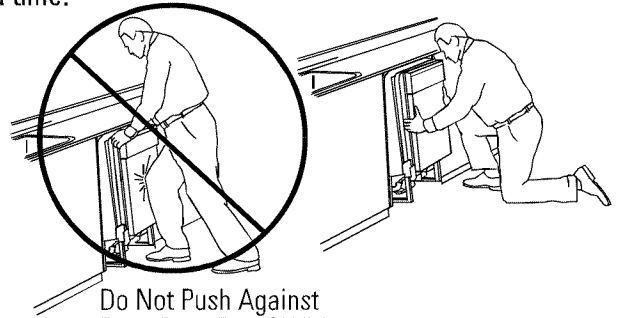
Figure N

TIP: Position water line and house wiring on the floor to avoid interference with base of dishwasher.

STEP 7 SLIDE DISHWASHER PARTIALLY INTO CABINET

DO NOT PUSH AGAINST FRONT PANEL WITH KNEES. DAMAGE WILL OCCUR.

- Slide dishwasher into the opening a few inches at a time.



Do Not Push Against Front Door Panel With Knee. Damage to The Door Panel Will Occur.

Figure O

- As you proceed, pull the drain hose through the opening under the sink. Stop pushing when the dishwasher is a few inches forward of adjacent cabinetry.
- Make sure drain hose is not kinked under the dishwasher and there is no interference with the water line and wiring or any other component.

Installation Instructions

STEP 8 POSITION DISHWASHER UNDER COUNTERTOP

- Check to be sure that wires are secure under the dishwasher and not pinched or in contact with door springs or other dishwasher components.

TIP: Check tub insulation blanket, if equipped. It should be positioned so it is not bunched up or interfering with door springs. Check by opening and closing the door.

- Push dishwasher into cabinet. The front corners of the dishwasher door should be flush with cabinet doors. Be careful not to dent front panel with knees or damage countertop or cabinets with dishwasher parts.

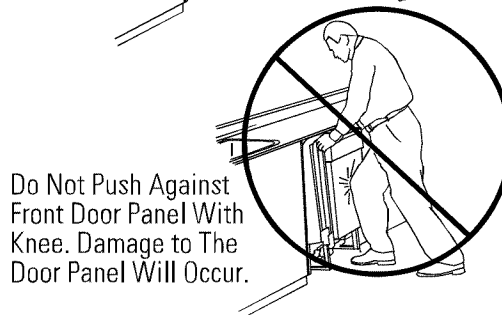
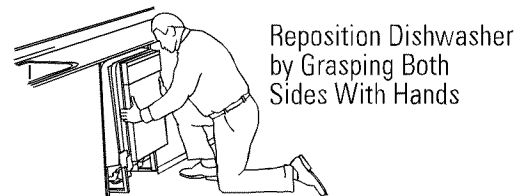


Figure P

STEP 9 LEVEL DISHWASHER

IMPORTANT — Dishwasher must be level for proper dish rack operation and wash performance.

- Place level on door and rack track inside the tub as shown to check that the dishwasher is level.

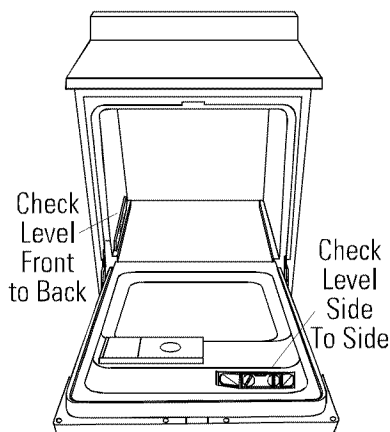


Figure Q

- Level the dishwasher by adjusting the four leveling legs individually.

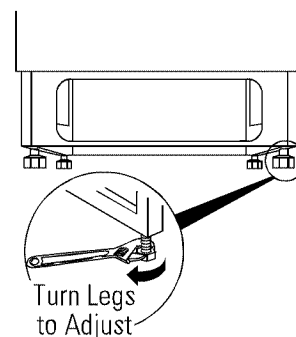


Figure R

TIP: Pull lower rack out, about halfway. Check to be sure the rack does not roll forward or back into dishwasher. If the rack rolls in either direction, the dishwasher must be leveled again.

- If door hits the tub, the dishwasher is not installed correctly. Adjust leveling legs to align door to tub.

Installation Instructions

STEP 10 SECURE DISHWASHER TO CABINET

The dishwasher must be secured to the countertop.

- Position the dishwasher so that the tub flange aligns with the front face of the cabinet frame.

IMPORTANT: Check to be sure the dishwasher is centered in the opening and there is no interference with adjacent cabinets when opening or closing the door.

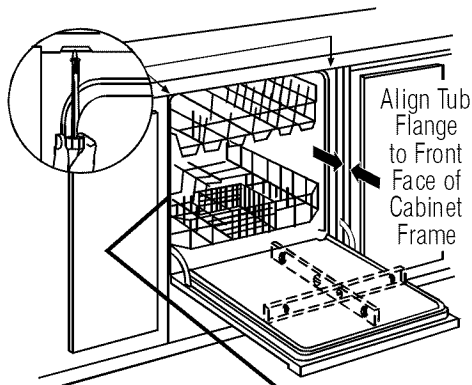


Figure S

- Fasten the dishwasher to the underside and side face of the countertop with the 2 Phillips screws provided.

IMPORTANT – Drive screws straight and flush. Protruding screw heads will scratch the top of the control panel and can interfere with door closing.

STEP 11 CONNECT WATER SUPPLY

Connect water supply line to 90° elbow.

- Slide compression nut, then ferrule over end of water line.
- Insert water line into 90° elbow.
- Slide ferrule against elbow and secure with compression nut.

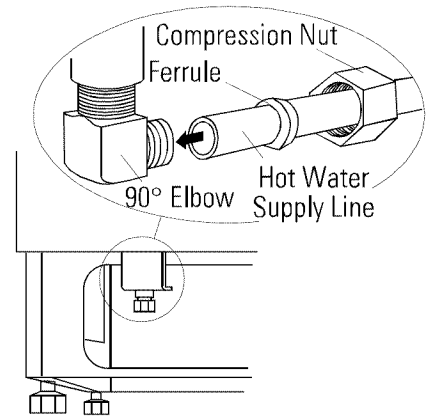
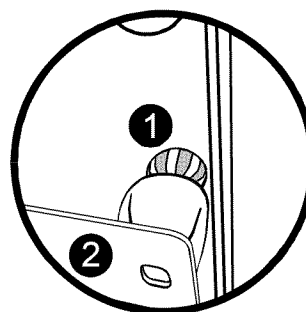


Figure T

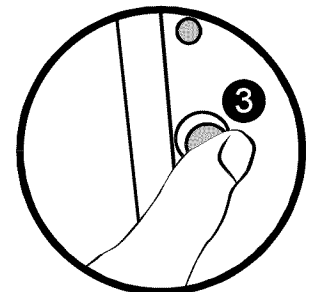
IMPORTANT – Check to be sure that door spring does not rub or contact the fill hose or water supply line. Test by opening and closing the door. Re-route the lines if a rubbing noise or interference occurs.

STEP 10-1 DISHWASHER SIDE MOUNT



1. Remove the side mount cover

2. Fasten the bracket to the side face of the cabinet with the 2 screws



3. Reinstall the side mount cover

Installation Instructions

STEP 12 CONNECT DRAIN LINE

FOLLOW ALL LOCAL CODES AND ORDINANCES.

The drain hose molded end will fit 5/8", 3/4" or 1" diameter connections on the air gap, waste tee or disposer. Cut on the marked line as required for your installation.

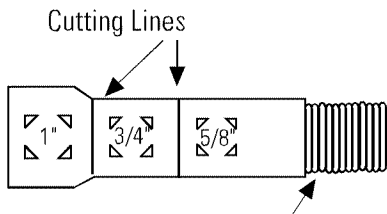


Figure U

IMPORTANT: Do not cut corrugated portion of hose

- If a longer drain hose is required, add up to 42" of length for a total of 10 ft. to the factory installed hose. Use 5/8" or 7/8" inside diameter hose and a coupler to connect the two hose ends. Secure the connection with hose clamps.

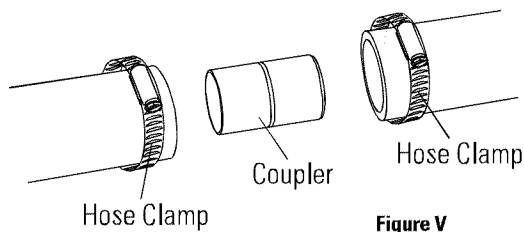


Figure V

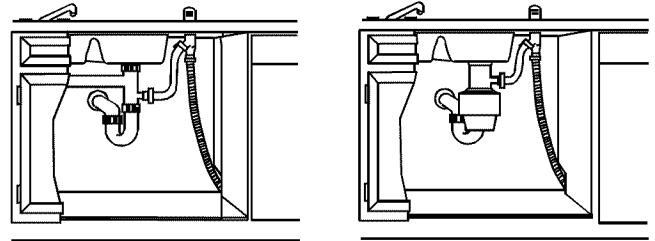
- Secure the drain hose to the air gap, waste tee or disposer with clamps.

NOTE: TOTAL DRAIN HOSE LENGTH MUST NOT EXCEED 10 FEET FOR PROPER DRAIN OPERATION.

DRAIN LINE INSTALLATION

- Connect drain line to air gap, waste tee or disposer using either previously determined method.

Method 1 – Air gap with waste tee or disposer

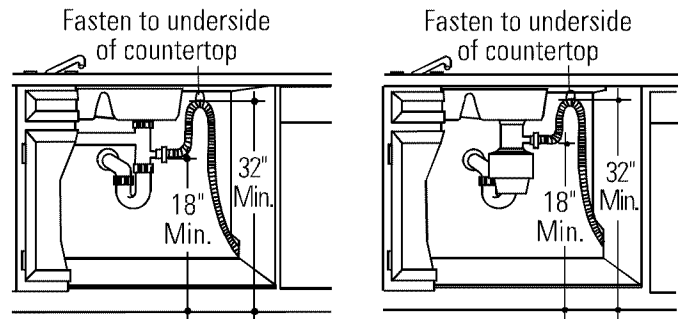


Waste Tee Installation

Disposer Installation

Figure W

Method 2 – High drain loop with waste tee or disposer



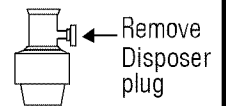
Waste Tee Installation

Disposer Installation

Figure X

IMPORTANT –

When connecting drain line to disposer, check to be sure that drain plug has been removed. **DISH-WASHER WILL NOT DRAIN IF PLUG IS LEFT IN PLACE.**



TIP: Avoid unnecessary service call charges. Always be sure disposer drain plug has been removed before attaching dishwasher drain hose to the disposer.

Installation Instructions

STEP 13 CONNECT POWER SUPPLY

Verify that power is turned off at the source.

- Remove junction box cover "A".
- Locate the three dishwasher wires, (white, black and green) with stripped ends. Insert dishwasher wires through the small hole in the junction box "B".
- Secure house wiring to the bottom of the junction box with a strain relief "C".
- Use wire nuts to connect incoming ground to green, white to white and black to black "D".
- Replace junction box cover "E". Check to be sure that wires are not pinched under the cover.

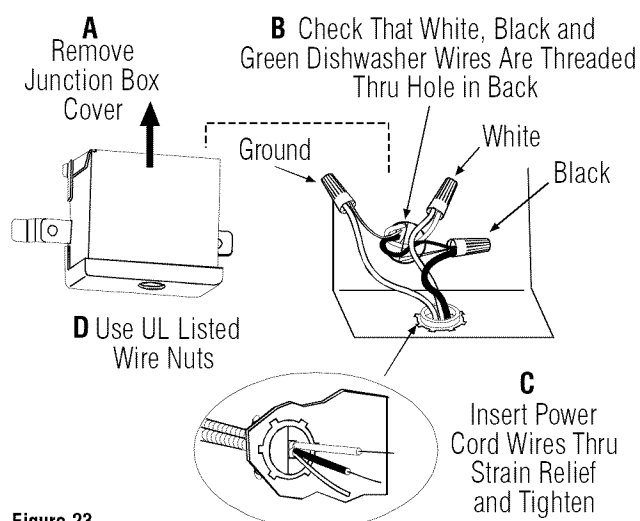


Figure 23

E. Replace Junction Box Cover



WARNING

If house wiring is not 2-wire with ground, a ground must be provided by the installer. When house wiring is aluminum, be sure to use UL Listed anti-oxidant compound and aluminum-to-copper connectors

STEP 14 PRE-TEST CHECKLIST

Review this list after installing your dishwasher to avoid charges for a service call that is not covered by your warranty.

- Check to be sure power is OFF.
- Open door and remove all foam and paper packaging.
- Locate the Owner's Manual in the literature package.
- Read the Owner's Manual for operating instructions.
- Check door opening and closing. If door does not open and close freely or tends to fall, check spring adjustments. See Step 1.
- Check to be sure that wiring is secure under the dishwasher, not pinched or in contact with door springs or other components. See Step 9.
- Check door alignment with tub. If door hits tub, level dishwasher. See Step 10.
- Pull lower rack out, about half way. Check to be sure it does not roll back or forward on the door. If the rack moves, adjust leveling legs. See Step 10.
- Check door alignment with cabinet. If door hits cabinet, reposition or relevel dishwasher. See Step 10.
- Verify water supply and drain lines are not kinked or in contact with other components. Contact with motor or dishwasher frame could cause noise. See Step 8.
- Turn on the sink hot water faucet and verify water temperature. Incoming water temperature must be between 120°F and 150°F. A minimum of 120°F temperature is required for best wash performance. See "Prepare Hot Water Line," page 5.
- Add 2 quarts of water to the bottom of the dishwasher to lubricate the pump seal.
- Turn on water supply. Check for leaks. Tighten connections if needed.
- Remove protective film if present from the control panel and door.

Installation Instructions

STEP 15 DISHWASHER WET TEST

- Turn on power supply (or plug power cord into outlet, if equipped).
- Turn dial to Normal "Wash" position.
- Close door.
- Check to be sure that water enters the dishwasher. If water does not enter the dishwasher, check to be sure that water and power are turned on.
- Check for leaks under the dishwasher. If a leak is found, turn power supply off, then tighten connections. Restore power after leak is corrected.
- Check for leaks around the door. A leak around the door could be caused by door rubbing or hitting against adjacent cabinetry. Reposition the dishwasher if necessary. See Step 9.
- The dishwasher will drain and turn off about 5 to 7 minutes after the first fill. Check drain lines. If leaks are found, turn power off at the breaker and correct plumbing as necessary. Restore power after corrections are made. See Step 12.
- Open dishwasher door and make sure most of the water has drained. If not, check that disposer plug has been removed and/or air gap is not plugged. See Step 13. Also check drain line for kinking.
- Run the dishwasher through another fill and drain cycle. Check for leaks and correct if required.
- At the end of drain, press start/cancel to turn unit off.

STEP 16 REPLACE TOEKICK

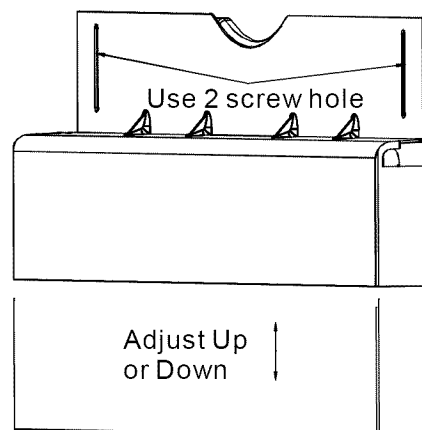


Figure Y

- Place the toe kick against the legs of the dishwasher.
- The slots should align with toe kick bracket screw holes. Allow the toe kick to touch the floor.
- Use the 2 lower screw holes for installations over 33-1/2" high.

STEP 17 LITERATURE

Be sure to leave complete literature package and installation instructions with consumer.

Instrucciones de instalación

Lavavajillas empotrado

Si tiene preguntas, llame al 1-800-944-9044 (EE. UU.) 1-800-245-8352 (Canadá) o visite nuestro sitio Web en: www.Frigidaire.com



ANTES DE EMPEZAR

Lea estas instrucciones completamente y con atención.

IMPORTANTE – Asegúrese de que se cumplan todas las normas y los códigos relevantes.

- Nota para el instalador – **Asegúrese de dejar estas instrucciones para uso del consumidor y el inspector local.**
- Nota para el consumidor – **Conserve estas instrucciones junto con su Manual del usuario para referencia futura.**
- Nivel de destreza – **La instalación de este lavavajillas requiere conocimientos mecánicos y eléctricos básicos.** La instalación correcta es responsabilidad del instalador. Las fallas del producto que resulten de una instalación incorrecta no están cubiertas bajo la garantía de electrodomésticos ELECTROLUX.
- Tiempo necesario – de 1 a 3 horas. **Las instalaciones nuevas requieren menos tiempo que las de reemplazo.**

IMPORTANTE – El lavavajillas **DEBE** instalarse de forma que sea posible sacarlo de su sitio en caso de que requiera servicio.

Si recibió un lavavajillas defectuoso, debe ponerse en contacto con el distribuidor o constructor inmediatamente.

Accesorios opcionales – **Vea el Manual del usuario para ver los paneles decorativos personalizados disponibles.**

PARA SU SEGURIDAD

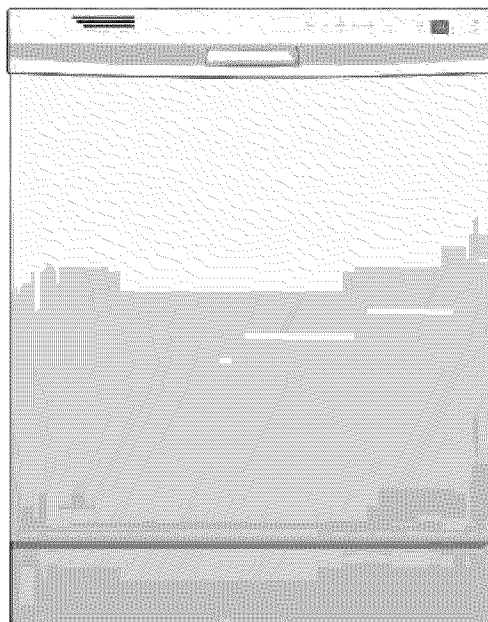
Lea y cumpla todas las PRECAUCIONES y ADVERTENCIAS ilustradas en estas instrucciones. Es necesario utilizar guantes, lentes o gafas de seguridad mientras se llevan a cabo las instalaciones descritas en este folleto.



ADVERTENCIA

El instalador debe asegurarse de que el lavavajillas esté completamente encajado en la cavidad durante la instalación para reducir el riesgo de descargas eléctricas, incendios o lesiones personales.

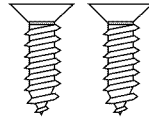
LEA CUIDADOSAMENTE.
CONSERVE ESTAS
INSTRUCCIONES.



Preparación para la instalación

PARTES INCLUIDAS :

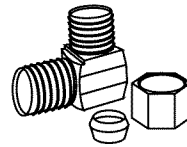
- Dos tornillos para madera con cabeza plana #8, de 5/8" de longitud para fijar el lavavajillas a la cara inferior del mostrador (en el paquete con documentación).
- Dos tornillos para la base del color del electrodoméstico con cabeza Phillips, (en el paquete con documentación).



4 tornillos para madera

MATERIAL NECESARIO :

- Guarnición, tuerca de compresión y codo de 90° (roscas NPT externa de 3/8" en un extremo y del tamaño de la toma de agua en el extremo opuesto)
- Cinta para sellar roscas
- Tuercas para cable aprobadas por UL (3)



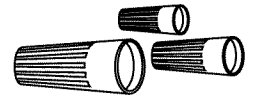
Codo de 90°, guarnición y tuerca de compresión



Válvula de cierre manual



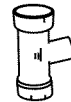
Cinta para sellar roscas



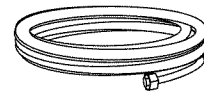
Tuercas para cable (3)

Material para instalaciones nuevas solamente:

- Espacio de aire para purgar la manguera, en caso de ser necesario
- Te de desecho para la plomería del hogar, de ser aplicable
- Cable eléctrico o cordón eléctrico, de ser aplicable
- Abrazaderas de manguera con tornillo
- Protector para la conexión eléctrica
- Válvula de cierre manual
- Tubería de agua de cobre de 3/8" min.
- Acoplador para extender la línea de drenaje, de ser aplicable



Te para desechos



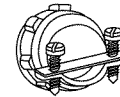
Tubería de agua caliente



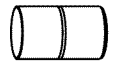
Espacio de aire



Abrazaderas de manguera con tornillo



Dispositivo de liberación de tensión



Acoplador

HERRAMIENTAS NECESARIAS :

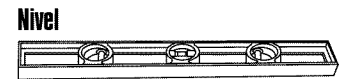
- Destornillador Phillips
- Destornillador para tuercas de 5/16" y 1/4"
- Llave ajustable de 6"
- Nivel
- Escuadra de carpintero
- Cinta métrica
- Lentes de seguridad
- Linterna
- Cubeta para atrapar el agua al purgar la línea
- Guantes



Destornillador Phillips



Destornillador para tuercas de 1/4" y 5/16"



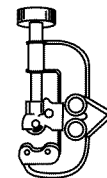
Nivel



Linterna



Llave ajustable de 6"



Cortador de tubos



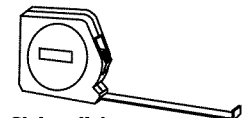
Escuadra de carpintero



Cubeta



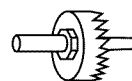
Lentes de seguridad



Cinta métrica



Guantes



Juego de sierra para agujeros



Taladro y brocas

Para instalaciones nuevas solamente:

- Cortador de tubos
- Taladro y brocas apropiadas
- Juego de sierra para agujeros

Preparación para la instalación

PREPARE EL ARMazón DEL LAVAVAJILLAS

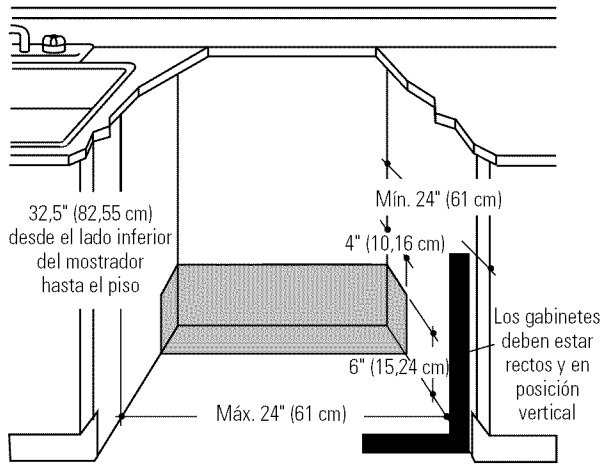


Fig. A

Las conexiones eléctricas y de agua deben caber en el área sombreada

- La abertura preliminar del gabinete debe tener al menos 24" de profundidad y 24" a 18" de ancho. La abertura debe tener una altura máxima de 32,5".

- El lavavajillas debe instalarse de forma que la manguera de desagüe no tenga más de 10 pies de longitud para tener el drenaje correcto.
- El lavavajillas debe estar empotrado por completo en su cara superior, caras laterales y cara trasera y no debe servir de soporte para ninguna parte del armazón.

ESPACIOS : Cuando se instale en una esquina, permita un mínimo de 2" de espacio entre el lavavajillas y el gabinete, la pared u otros electrodomésticos adyacentes. Permita un espacio mínimo de 25-5/8" frente al lavavajillas para que se pueda abrir la puerta. Fig. B

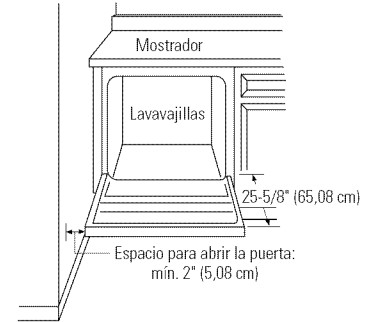


Fig. B

Nota : La instalación aprobada por ADA (ley de estadounidenses con discapacidades por sus siglas en inglés), (32-1/2") debajo de mostradores de 34" de altura se puede lograr mediante el ajuste de la base y las patas niveladoras.

REQUISITOS DE DESAGÜE

- Obedezca los códigos y reglamentos locales.
- No se instale a más de 10 pies del drenaje.
- No conecte tuberías de drenaje de otros dispositivos a la manguera de desagüe del lavavajillas.
- El lavavajillas debe estar conectado a una tubería de drenaje con espacio de aire (no incluido) o un bucle de drenaje alto de mínimo 32" conforme a los códigos y reglamentos locales para evitar retroflujo hacia el lavavajillas.
- Debe utilizarse espacio de aire si la te para desechos o la conexión del triturador está a menos de 18" sobre el piso para evitar el efecto sifón.

PREPARACIÓN DEL DRENAJE

El tipo de instalación del drenaje depende de las respuestas a las preguntas siguientes:

- ¿Requieren los códigos o reglamentos locales un espacio de aire?
- ¿Estará la te para desecho o el triturador a menos de 18" sobre el piso?
- ¿Tendrá la instalación un bucle de drenaje a menos de 32" de altura sobre el piso?

Si la respuesta a CUALQUIERA de estas 3 preguntas es SÍ, DEBE usar el Método 1. De lo contrario, puede utilizar el Método 1 o el Método 2. Fig. C o Fig. D.



PRECAUCIÓN :

DEBE UTILIZAR un espacio de aire si la manguera de drenaje se conecta a una te para desecho o triturador instalada a menos de 18" sobre el piso.

El bucle de drenaje alto causará un drenaje incorrecto del lavavajillas si no se proporciona la altura correcta para la conexión del drenaje con espacio de aire o mínimo 32".

Método 1 - Espacio de aire con te para desecho o triturador

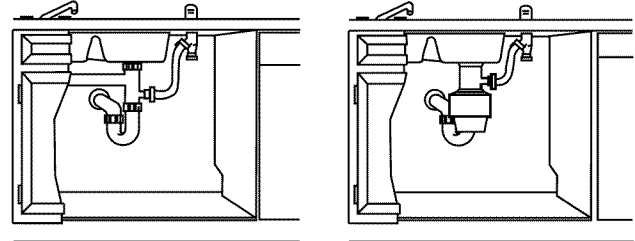


Fig. C

Método 2 - Drenaje alto con te para desecho o triturador Elija un método para fijar la manguera de desagüe a la cara inferior del mostrador.

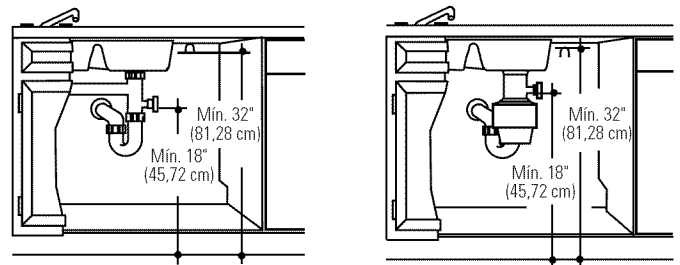


Fig. D

Instale la te para desechos o triturador y el espacio de aire conforme a las instrucciones del fabricante.

PREPARACIÓN DEL GABINETE

- Haga un agujero de 1-1/2" de diámetro en la pared del gabinete dentro de las áreas sombreadas que se ilustran en la Fig. A para la conexión de la manguera de desagüe. El agujero debe estar liso sin bordes afilados.

Preparación para la instalación

PREPARE EL CABLEADO ELÉCTRICO



ADVERTENCIA

PARA SU SEGURIDAD PERSONAL: Quite el fusible del hogar o abra el disyuntor antes de comenzar la instalación. No use un cable de extensión ni un adaptador con este electrodoméstico.

Requisitos eléctricos

- Este electrodoméstico requiere un suministro de energía de 120V, 60 Hz. y debe conectarse a un circuito independiente con conexión a tierra protegido con un disyuntor de 15 ó 20 amperes o fusible de acción retardada.
- El cableado debe tener dos cables y conexión a tierra.
- Si el suministro de energía no cumple con estos requerimientos, llame a un electricista con licencia antes de continuar.

Instrucciones para la conexión a tierra - Cable directo

Este electrodoméstico debe conectarse a un metal de conexión a tierra, a un sistema de cableado permanente, o bien se debe colocar un conductor de conexión a tierra que esté conectado a la terminal de conexión a tierra del equipo o al cable a tierra del electrodoméstico.

Instrucciones para la conexión a tierra - Modelos con cordón eléctrico

Este electrodoméstico debe ser puesto a tierra. En el caso de que el lavavajillas no funcione correctamente o se descomponga, la conexión a tierra reduce el riesgo de descarga eléctrica porque ofrece una trayectoria de menor resistencia para la corriente eléctrica. El enchufe debe conectarse a un tomacorriente apropiado que esté instalado y tenga conexión a tierra conforme a los códigos y reglamentos locales.



ADVERTENCIA

Una conexión incorrecta del conductor de conexión a tierra del equipo puede provocar un peligro de descarga eléctrica. Si tiene dudas acerca de la correcta conexión a tierra del electrodoméstico, consulte con un electricista o representante de servicio calificado.

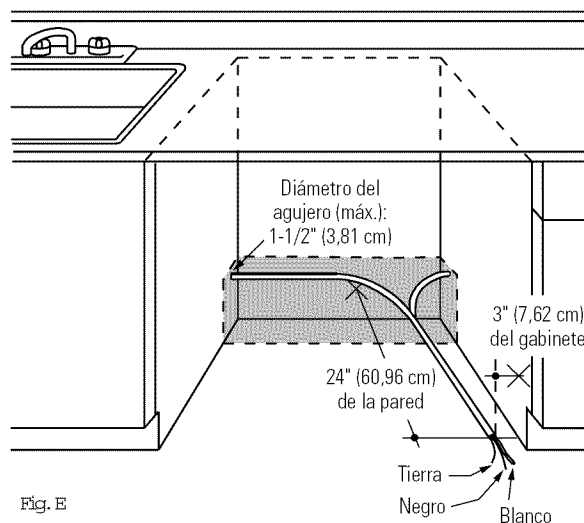


Fig. E

Preparación del gabinete y dirección del cableado

- El cableado puede entrar a la abertura desde cualquier lado, atrás o el piso dentro del área sombreada.
 - Corte un agujero con un diámetro máximo de 1-1/2" para la entrada del cable eléctrico. El orificio no debe tener bordes afilados. Si la pared del gabinete es metálica, el borde del agujero debe estar cubierto con un buje.
 - De ser conveniente, las conexiones directas del cable pueden pasar a través del mismo agujero que la manguera de drenaje y la tubería de agua caliente. Si la pared del gabinete es metálica, el borde del agujero debe estar cubierto con un buje.
- NOTA: El cordón eléctrico con enchufe debe pasar a través de un agujero diferente.

Conexión eléctrica para el lavavajillas

La conexión eléctrica está en el lado derecho al frente del lavavajillas.

- Para las conexiones de cables directos el cable debe dirigirse como se ilustra en la Fig. E. El cable debe extenderse al menos 24" desde la pared trasera.
- Para las conexiones del cordón eléctrico, instale un receptáculo de 3 clavijas con conexión a tierra. El receptáculo de alimentación eléctrica para el electrodoméstico debe instalarse en un gabinete o en una pared adyacente al espacio debajo del mostrador donde se instalará el lavavajillas.

Instrucciones de instalación

PREPARE LA TUBERÍA DE AGUA CALIENTE

- La tubería puede entrar desde cualquier lado, atrás o el piso dentro del área sombreada ilustrada en la Fig. F.
 - La tubería puede pasar a través del mismo agujero empleado para el cable eléctrico y la manguera de drenaje. O, corte un agujero adicional de 1-1/2" de diámetro para la tubería de agua caliente.
- La tubería de agua caliente no debe pasar a través del agujero del cordón eléctrico si éste tiene enchufe.

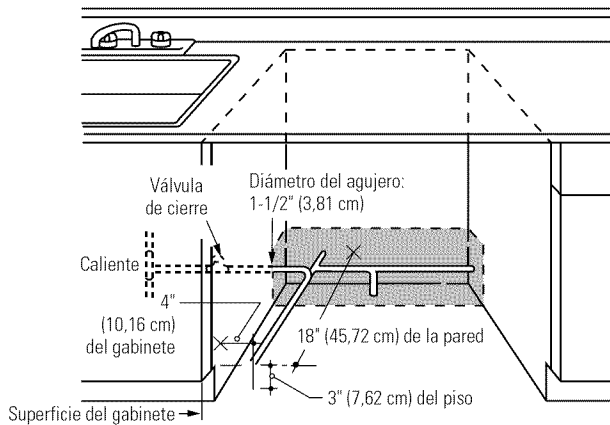


Fig. F

Conexión de la tubería de agua

- Desconecte la entrada de agua.
- Instale una válvula de cierre manual en un sitio de fácil acceso, como por ejemplo debajo del fregadero. [opcional, pero lo recomendamos enfáticamente y es posible que los códigos locales lo exijan.]
- La conexión para el agua se encuentra en el lado izquierdo del lavavajillas. Instale la tubería de alimentación de agua caliente, utilice tubos de cobre con diámetro externo de al menos 3/8". Dirija la tubería como se ilustra en la Fig. F y extiéndala hacia adelante al menos 18" desde la pared trasera.
- Ajuste el calentador de agua a una temperatura de 120°F a 150°F.
- Purgue la tubería de agua para limpiarla.
- La presión de la tubería de alimentación de agua caliente debe ser 20-120 PSI.

PRECAUCIÓN :

El lavavajillas se inclina hacia adelante al abrir la puerta. No abra la puerta hasta que esté listo para instalar el lavavajillas. Si necesita abrir la puerta, sujete con firmeza la parte superior del lavavajillas con una mano y sujete la puerta con la otra.



ANTES DE EMPEZAR

Ubique y separe el paquete que contiene los 2 tornillos con cabeza Phillips para instalar el mostrador y los 2 tornillos adicionales para la base [en el paquete con documentación].

PASO 1 REVISE EL EQUILIBRIO DE LA PUERTA

Para revisar que la puerta esté equilibrada, sujete la parte superior del lavavajillas con firmeza.

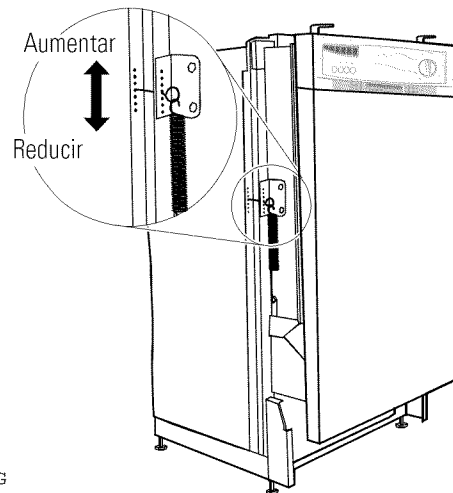


Fig. G

- Abra la puerta lentamente, si la puerta cae al soltarla, ajuste la tensión del resorte. Si la puerta se cierra al soltarla, disminuya la tensión.
- Saque el pasador de ajuste del resorte de los agujeros, insértelo en el agujero más alto o más bajo y pruebe de nuevo.
- Ajuste ambos resortes de la puerta con la misma tensión.
- Continúe moviendo el pasador del resorte hasta que la puerta esté equilibrada.

Instrucciones de instalación

PASO 2 AJUSTE LAS PATAS NIVELADORAS

- Acerque el lavavajillas al sitio dónde se instalará y recárguela sobre su parte trasera.

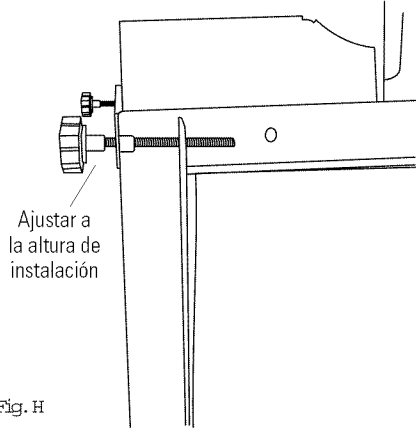


Fig. H

- Mida la altura de la instalación y la altura del lavavajillas. Extienda las patas niveladoras en la base del lavavajillas, 1/4" menos que la altura de la instalación.

PASO 3 QUITE LA BASE

- Quite los 4 tornillos de la base. Levante la base compuesta de 2 piezas.

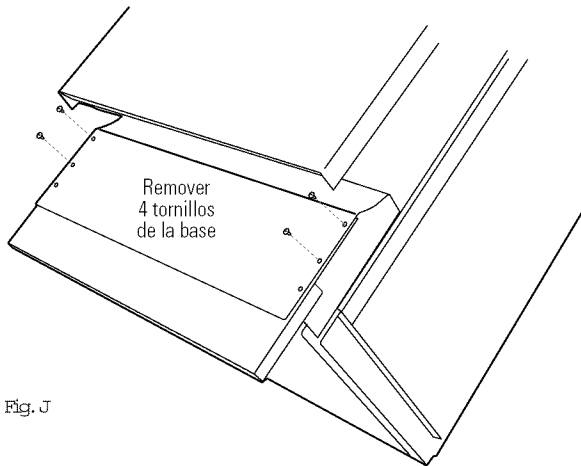


Fig. J

PASO 4 INSTALE EL CODO DE 90°

- Cubra el codo de 90° con cinta para sellar roscas.
- Instale el codo de 90° en la válvula de agua.

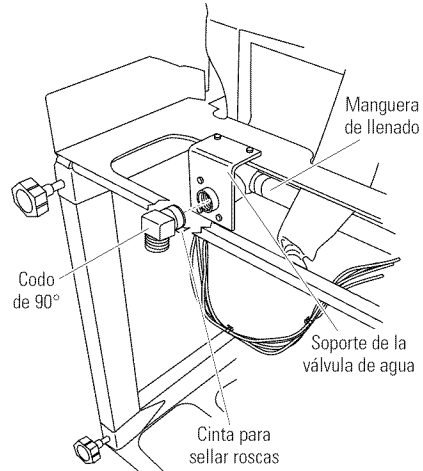


Fig. L

- No apriete demasiado el codo de 90°, el soporte de la válvula del agua podría doblarse o la junta de la válvula del agua podría romperse.
- Coloque el extremo del codo frente a la parte trasera del lavavajillas.

Instrucciones de instalación

PASO 5 COLOQUE LA TUBERÍA DE AGUA Y EL CABLEADO DEL HOGAR

- Coloque la tubería de alimentación de agua y el cableado del hogar en el piso de la abertura para evitar interferencias con la base del lavavajillas y los componentes debajo de ésta.

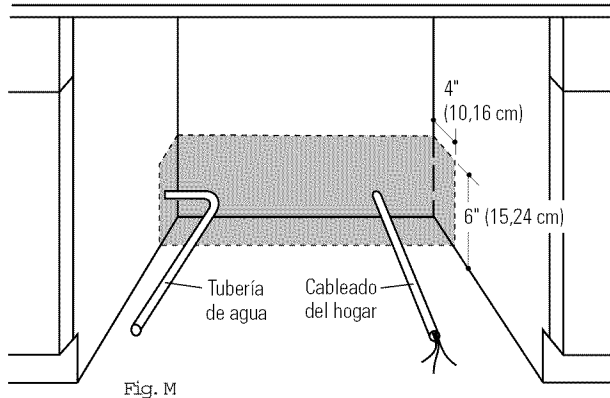


Fig. M

PASO 6 INSERTE LA MANGUERA DE DRENAJE A TRAVÉS DEL GABINETE

- Inserte la manguera de drenaje en el agujero en la pared del gabinete. Si utilizó cordón eléctrico, pase el extremo a través de un agujero diferente.

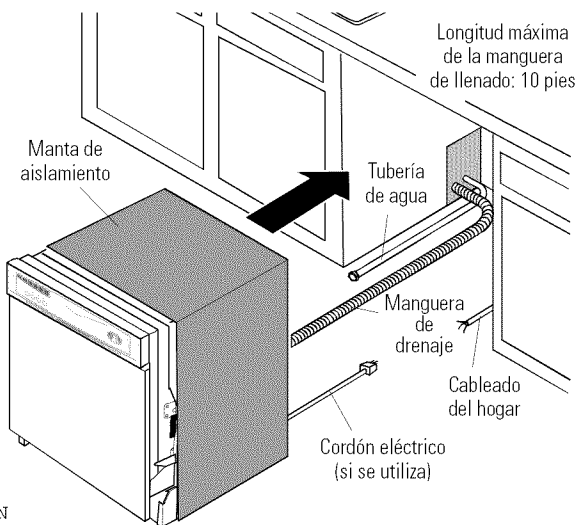


Fig. N

SUGERENCIAS : Coloque la tubería de agua y el cableado del hogar en el piso para evitar interferencia con la base del lavavajillas.

PASO 7 DESLICE EL LAVAVAJILLAS PARCIALMENTE EN EL GABINETE

NO EMPUJE LA CARA FRONTAL CON LAS RODILLAS. PODRÍA DAÑARSE.

- Deslice el lavavajillas en la abertura unas pulgadas a la vez.



No presione su rodilla contra el panel delantero de la puerta. Podría ocasionar daños al panel.

Fig. O

- Empuje la manguera de drenaje a través de la abertura debajo del fregadero a medida que avanza. Deje de empujar cuando el lavavajillas se encuentre a pocas pulgadas delante de los gabinetes adyacentes.
- Asegúrese de que la manguera de drenaje no esté torcida debajo del lavavajillas y que no haya interferencia con la tubería de agua y el cableado o cualquier otro componente.

Instrucciones de instalación

PASO 8 COLOQUE EL LAVAVAJILLAS DEBAJO DEL MOSTRADOR

- Cerciórese de que los cables estén bien sujetos debajo del lavavajillas y no estén atrapados o en contacto con los resortes de la puerta u otros componentes del lavavajillas.

SUGERENCIAS : Revise el forro aislante de la tina, si así está equipada. Debe estar colocado de forma que no esté abultado y que no interfiera con los resortes de la puerta. Abra y cierre la puerta para cerciorarse.

- Meta el lavavajillas en el gabinete. Las esquinas frontales de la puerta del lavavajillas deben estar al ras con las puertas del gabinete. Tenga cuidado de no abollar los paneles frontales con las rodillas o dañar el mostrador o los gabinetes con las partes del lavavajillas.

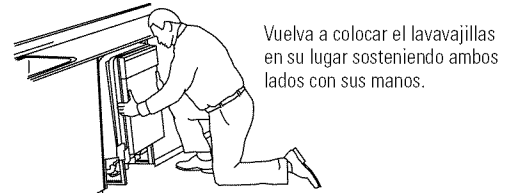


Fig. P

PASO 9 NIVELE EL LAVAVAJILLAS

IMPORTANTE – El lavavajillas debe estar nivelado para que la rejilla de los platos funcione correctamente y se obtenga un buen lavado.

- Coloque el nivel en la puerta y en la guía de la rejilla dentro de la tina como se ilustra para revisar que el lavavajillas esté nivelado.

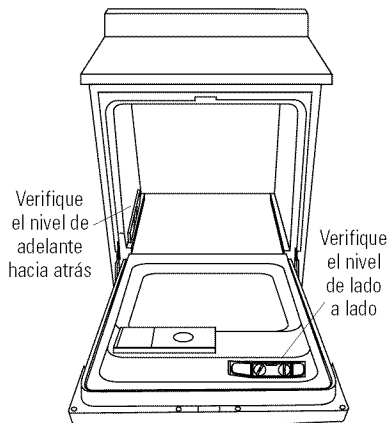


Fig. Q

- Nivele el lavavajillas ajustando las cuatro patas niveladoras individualmente.

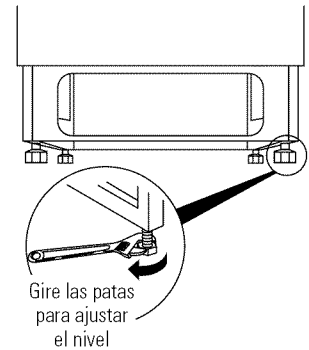


Fig. R

SUGERENCIAS : Saque la rejilla inferior, hasta la mitad. Asegúrese de que la rejilla no avance hacia adelante o regrese al interior del lavavajillas. Debe nivelar el lavavajillas de nuevo si la rejilla se mueve en cualquier dirección.

- Si la puerta toca la tina, el lavavajillas no está bien instalado. Ajuste las patas niveladoras para alinear la puerta con la tina.

Instrucciones de instalación

PASO 10 FIJE EL LAVAVAJILLAS AL GABINETE

El lavavajillas debe estar fijado al mostrador.

- Coloque el lavavajillas de forma que el borde de la tina esté alineado con la cara frontal del marco del mostrador.

IMPORTANTE : Cerciórese de que el lavavajillas esté centrado en la abertura y que no haya interferencia con los gabinetes adyacentes al abrir o cerrar la puerta.

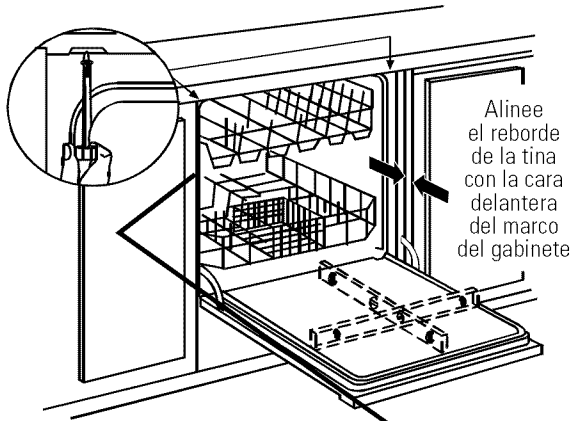


Fig. S

- Fije el lavavajillas a la cara inferior del mostrador con los 2 tornillos Phillips incluidos.

IMPORTANTE - Inserte los tornillos rectos hasta estar al ras. Si deja que las cabezas de los tornillos sobresalgan, éstas rayarán la parte superior del panel de control y pueden interferir al cerrar la puerta.

PASO 11 CONECTE LA ALIMENTACIÓN DE AGUA

Conecte el suministro de agua al codo de 90°.

- Deslice la tuerca de compresión, después la guarnición sobre el extremo de la tubería de agua.
- Inserte la tubería de agua dentro del codo de 90°.
- Deslice la guarnición hacia el codo y fíjela con la tuerca de compresión.

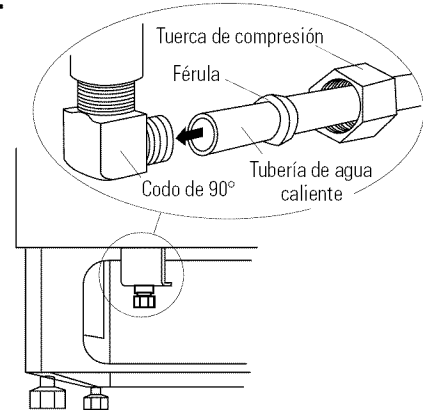
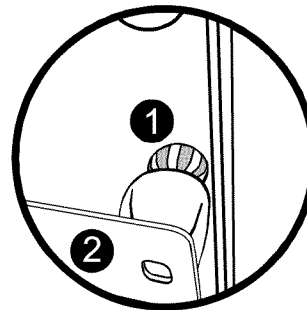


Fig. T

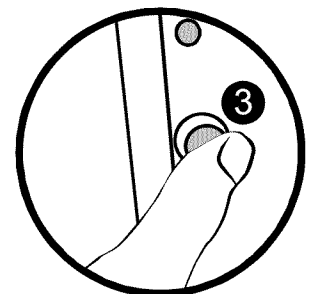
IMPORTANTE - Cerciórese de que el resorte de la puerta no roce o toque la manguera de llenado o la tubería de alimentación de agua. Abra y cierre la puerta para cerciorarse. Cambie la dirección de la tubería si escucha un ruido de roce o si ocurre alguna interferencia.

PASO 10-1 SOPORTE LATERAL DEL LAVAVAJILLAS



1 Retire la tapa del soporte lateral

2 Fije el soporte al costado del gabinete usando los 2 tornillos



3 Vuelva a colocar la tapa del soporte lateral

Instrucciones de instalación

PASO 12 CONECTE LA TUBERÍA DEL DRENAJE

SIGA TODOS LOS CÓDIGOS Y REGLAMENTOS LOCALES.

El extremo moldeado de la manguera de drenaje es compatible con conexiones de 5/8", 3/4" ó 1" de diámetro en el espacio de aire, la te para desechos o el triturador. Corte en la línea marcada según se requiere para su instalación.

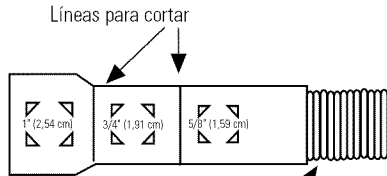


Fig. U

IMPORTANTE: No corte la porción corrugada de la manguera

- Si se requiere una manguera más larga, añada hasta 42" de longitud para obtener un total de 10 pies a la manguera instalada de fábrica. Utilice manguera con diámetro interior de 5/8" ó 7/8" y un acoplador para conectar los dos extremos de manguera. Fije la conexión con abrazaderas para manguera.

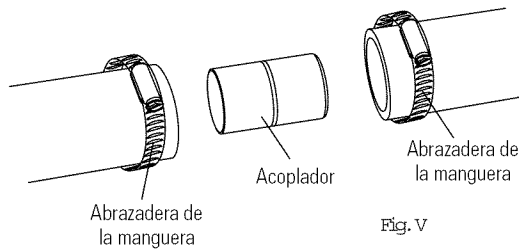


Fig. V

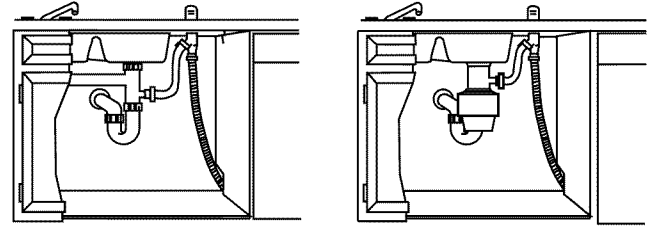
- Fije la manguera de drenaje al espacio de aire, triturador o la te para desechos con abrazaderas.

NOTA: LA LONGITUD TOTAL DE LA MANGUERA DE DRENAJE NO DEBE EXCEDER 10 PIES PARA QUE EL DRENAJE FUNCIONE CORRECTAMENTE.

INSTALACIÓN DE LA TUBERÍA DE DRENAJE

- Conecte la tubería del drenaje al espacio de aire, te para desechos o triturador con los métodos descritos anteriormente.

Método 1 - Espacio de aire con te para desecho o triturador

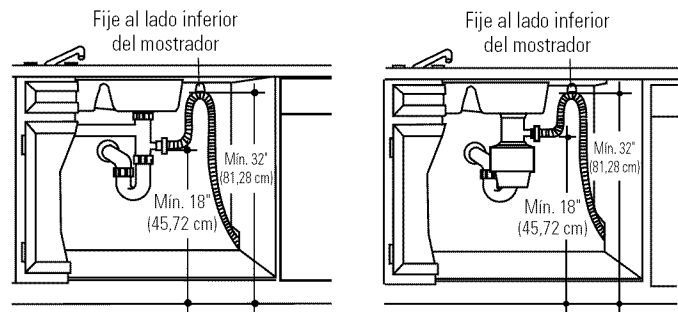


Instalación de la te para desechos

Instalación del triturador

Fig. W

Método 2 - Bucle de drenaje alto con te para desecho o triturador



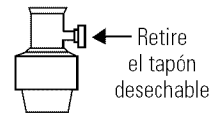
Instalación de la te para desechos

Instalación del triturador

Fig. X

IMPORTANTE

— Al conectar la tubería del drenaje al triturador, cerciórese de haber quitado el tapón del drenaje. EL LAVAVAJILLAS NO SE LLENA SI SE DEJA EL TAPÓN EN SU SITIO.



SUGERENCIAS: Evite cargos por servicios innecesarios. Asegúrese siempre de que se haya quitado el tapón de drenaje del triturador antes de conectar la manguera de drenaje del lavavajillas al triturador.

Instrucciones de instalación

PASO 13 CONECTE EL SUMINISTRO DE ENERGÍA

Si está equipado con cordón eléctrico ignore este paso.

Verifique que la energía esté desconectada en la fuente.

- Quite la tapa de la caja de empalme "A".
- Localice los tres cables del lavavajillas (blanco, negro y verde) con puntas peladas. Inserte los cables del lavavajillas en el agujero pequeño en la caja de empalme "B".
- Fije el cableado del hogar a la parte inferior de la caja de empalme con liberación de tensión "C".
- Utilice tuercas para cable para conectar la tierra de alimentación al verde, blanco con blanco y negro con negro "D".
- Vuelva a colocar la tapa de la caja de empalme "E". Cerciórese de que los cables no estén atrapados debajo de la tapa.

E Vuelva a colocar la tapa de la caja de empalme



ADVERTENCIA

Si el cableado del hogar no tiene conexión a tierra con 2 cables, el instalador debe suministrar otra conexión a tierra. Cuando el cableado del hogar es de aluminio, asegúrese de usar un compuesto antioxidante aprobado por UL y conectores aluminio a cobre.

PASO 14 LISTA DE CONTROL ANTES DE LA PRUEBA

Revise esta lista después de instalar el lavavajillas para evitar cargos por una visita de servicio que no esté cubierta en la garantía.

- Cerciórese de que el lavavajillas esté apagado.
- Abra la puerta y quite toda la espuma y el papel de empaque.
- Encuentre el Manual del usuario en el paquete con documentación.
- Lea el Manual del usuario que contiene las instrucciones de operación.
- Revise que la puerta abra y cierre Si la puerta no abre y cierra con libertad o tiende a caer, revise el ajuste de los resortes. Vea el paso 1.
- Cerciórese de que el cableado esté bien sujeto debajo del lavavajillas, que no esté atrapado o en contacto con los resortes de la puerta u otros componentes. Vea el paso 9.
- Revise la alineación de la puerta con la tina. Si la puerta toca la tina, nivele el lavavajillas. Vea el paso 10.
- Saque la rejilla inferior, hasta la mitad. Cerciórese de que no avance hacia adentro o hacia adelante sobre la puerta. Si la rejilla se mueve, ajuste las patas niveladoras. Vea el paso 10.
- Revise la alineación de la puerta con el gabinete. Si la puerta toca el gabinete, cambie la posición o vuelva a nivelar el lavavajillas. Vea el paso 10.
- Verifique que las tuberías de agua y de drenaje no estén torcidas o en contacto con otros componentes. Si están en contacto con el motor o el marco del lavavajillas podrían causar ruido. Vea el paso 8.
- Abra la llave de agua caliente del fregadero y verifique la temperatura del agua. La temperatura del agua entrante debe estar entre 120°F y 150°F. Para obtener el mejor desempeño de lavado se requiere una temperatura mínima de 120°F. vea "Preparar la tubería de agua caliente", página 5.
- Añada 2 litros de agua al fondo del lavavajillas para lubricar el sello de la bomba.
- Abra el suministro de agua. Verifique si hay escapes. Apriete las conexiones en caso de ser necesario.
- Retire la película protectora presente en el panel de control y en la puerta.

Instrucciones de instalación

PASO 15 PRUEBA DEL LAVAVAJILLAS CON AGUA

- Conecte el suministro de energía (o conecte el cordón eléctrico al tomacorriente, si así está equipada).
- Gire la perilla a la posición normal "Wash" (lavado).
- Cierre la puerta.
- Cerciórese que entre agua al lavavajillas. Si no entra agua al lavavajillas, revise que el agua esté abierta y la energía esté conectada.
- Revise que no haya fugas debajo del lavavajillas. Si encuentra una fuga, desconecte el suministro de energía, después apriete las conexiones. Restablezca la energía después de reparar las fugas.
- Revise que no haya fugas alrededor de la puerta. Las fugas alrededor de la puerta pueden ser el resultado de que la puerta rozar o toca los gabinetes adyacentes. Cambie la posición del lavavajillas si es necesario. Vea el paso 9.
- El lavavajillas se vaciará y apagará después de 5 a 7 minutos después de llenarse la primera vez. Revise la tubería del drenaje. Si tiene fugas, desconecte la energía en el disyuntor y haga las correcciones necesarias en la plomería. Restablezca la energía después de haber hecho las correcciones. Vea el paso 12.
- Abra la puerta del lavavajillas y asegúrese de que se haya drenado el agua en su mayor parte. De lo contrario, revise que se haya quitado el tapón del triturador y/o que el espacio de aire no esté tapado. Vea el paso 13. Revise también que la tubería de drenaje no esté dañada.
- Haga funcionar el lavavajillas otro ciclo de llenado y drenado. Revise que no haya fugas y haga las correcciones necesarias.
- Al término del drenaje, abra la puerta y gire la perilla a la posición OFF (apagado).

PASO 16 VUELVA A COLOCAR LA BASE

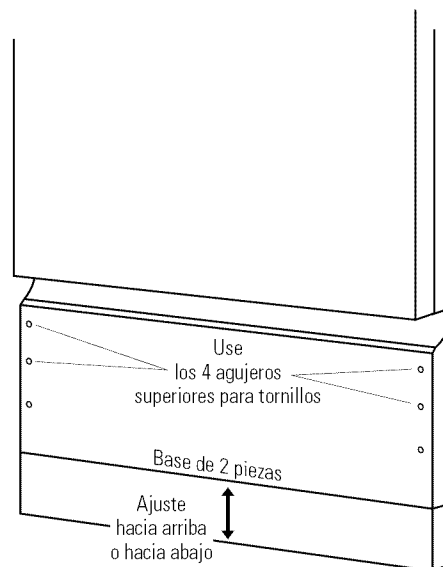


Fig. Y

- Coloque la base de 2 piezas junto a las patas de la lavadora.
- Coloque la pieza interna de la base (con ranuras) junto al soporte de la base. Las ranuras deben alinearse con los agujeros para los tornillos del soporte de la base. Permita que la base toque el piso.
- Coloque la pieza más grande de la base sobre la pieza interna e instale los 4 tornillos de la base.
- Utilice los 2 tornillos adicionales para instalaciones con más de 33-1/2" de altura.
- Utilice ambas piezas de la base para las instalaciones en todas las alturas.

PASO 17 DOCUMENTACIÓN

Asegúrese de dejar el paquete de documentación y las instrucciones para la instalación completas para el consumidor.