

Washer Tech Data Sheet

This information is intended for Qualified Technicians Only.

CAUTION: DISCONNECT ELECTRICAL CURRENT BEFORE SERVICING

Please Return This Sheet to its Envelope in the Product for Future Reference

Contents	Page
Error code explanation.....	1
Diagnostics	1-2
Error Code Chart.....	3
Tests.....	4-5
Français.....	6-10
Español.....	11-15
Wiring Diagram.....	16

Acronyms:

MB – Main Board (Board located inside machine on right side just behind control panel.)

MC – Motor Control

UI – User interface board (board located inside the front control panel)

DL – Door Lock

READING ERROR CODES

1. Wake the washer up by pressing any button (except the cancel button).
2. Press and hold the “**cancel**” and “**start**” buttons simultaneously for 6 seconds. The failure code will appear in the display as an E followed by two numbers.

NOTE: E00 means no failure code experienced. Troubleshoot the problem by using charts on the pages 3-5.

If there is no error displayed and the washer momentarily starts then turns back off:

1. Listen for a relay closure inside the control shortly after the “**start/pause**” key is pressed.
2. Check the connections on the MB make sure that they are firmly snug and secured.

To clear latest stored error code:

- Press the “**cancel**” button to enter standby mode and enable diagnostic entry.
- Within 10 seconds after pressing “**cancel**”, press any button (except the cancel button) to wake up the control.
- Within 5 seconds of wake up, turn the selector knob to the far left cycle and press and hold the “**cancel**” and **center button under the display** simultaneously for 3 seconds to enter the Diagnostic Mode. (note: to save time at wake up, the welcome screen can be bypassed by turning the selector knob).
- Turn the program knob clockwise 9 turns (clicks) from the Start Position. The control will signal the last 5 error codes with E00 meaning no error experienced.
- Press and hold the **center key under the display** and “**cancel**” buttons simultaneously for 3 seconds. The code(s) will be cleared.
- To return the washer to normal operation.
 - a) Unplug the power cord, wait 5-8 seconds, then reconnect the power cord **OR**
 - b) Turn the program knob clockwise 2 turns (clicks) back to the Start Position (LEDs are flashing). Press the “**cancel**” and **center button under the display** until the LEDs stop flashing.

Diagnostic Test

The diagnostic test is used to check individual component function only.

TO START THE TEST:

- Press the “**cancel**” button to enter standby mode and enable diagnostic entry.
 - Within 10 seconds after pressing “**cancel**”, press any button (except the cancel button) to wake up the control.
 - Within 5 seconds of wake up, turn the selector knob to the far left cycle and press and hold the “**cancel**” and **the center button under the display** simultaneously for 3 seconds to enter the Diagnostic Mode. (note: to save time at wake up, the welcome screen can be bypassed by turning the selector knob).
1. Upon entering Diagnostic Mode, all lights should flash for 1¼”x2” display models.

2. Turn the program knob (1) click clockwise from the start position. The hot water solenoid will activate and hot water should enter through the detergent compartment.
3. Turn the program knob (2) clicks from the start position. The bleach water solenoid will activate and cold water should enter through the bleach compartment.
4. Turn the program knob (3) clicks from the start position. The bleach and the wash water solenoids will activate and cold water should enter through the softener compartment.
5. Turn the program knob (4) clicks from the start position. The prewash solenoid will activate and cold water should enter through the prewash compartment.
6. Turn the program knob (5) clicks from the start position. The door lock solenoid will deactivate and the loading door can be opened. When the door is opened, the drum light should turn on, if so equipped.
7. Turn the program knob (6) clicks from the start position. The door lock will activate and the washer will fill then tumble. Once tumbling has started, the Boost Heater will turn on.
8. Turn the program knob (7) clicks from the start position. This is a free position on models without a recirculation pump. The recirculation pump and drum light will activate if so equipped.
9. Turn the program knob (8) clicks from the start position. The drain pump will activate draining out any water in the tub. To enable high spin, press the **Delay Start** key.
10. Turn the program knob (9) clicks from the start position. The control will signal the last 5 error codes with E00 being no error.
11. Turn the program knob (10) clicks from the start position. Latest software version will be shown.
12. If applicable, turn the program knob (11) clicks from the start position. This is a free position.

Exiting Diagnostic Mode

To return the washer to normal operation:

- a) Unplug the power cord, wait 5-8 seconds, then reconnect the power cord **OR**
- b) Turn the program knob clockwise back to the Start Position. Press the “**cancel**” and **center button under the display** until the LEDs stop flashing.

FACTORY RESET

1¼"x2" display models, wake machine, push the spin speed and soil selection keys simultaneously and hold until you hear a beep. This is no more than 10 seconds.

Error code chart

Error code	Fault condition	Check
E11	Fill time too long.	Refer to test (1).
E13	Water leak in tub or air leak in air bell.	Refer to test (2).
E21	Water not pumping out fast enough.	Refer to test (3).
E25	Recirculation Pump Relay Sense	Refer to Test (16)
E26	Recirculation Pump Relay	Refer to Test (16)
E31	Electronic pressure switch failure.	Refer to test (4).
E32	Pressure sensor calibration problem.	Refer to test (4).
E35	Pressure sensor indicates water overflow.	Refer to test (5).
E38	Air trap clogged.	Refer to test (5).
E41	Control board thinks the door switch is open.	Refer to test (6).
E43	Door PTC Circuit Problem	Refer to Test (6)
E44	Door closed sensing failure.	Refer to test (6).
E45	Line door sensing failure.	Refer to test (6).
E47	Door PTC Sensing Open	Refer to Test (6)
E48	Door PTC Sensing Closed	Refer to Test (6)
E4A	Door PTC Sensing Problem	Refer to Test (6)
E52	Bad signal from tacho generator.	Refer to test (7).
E53	Low Voltage to Motor Control Board.	Refer to test (15).
E54	Over speed.	Refer to test (9).
E55	Under speed.	Refer to test (9).
E57	High current on inverter.	Refer to test (8).
E58	High current on motor phase.	Refer to test (8).
E59	No tacho signal for 3 seconds.	Refer to test (9).
E5A	High temperature on heat sink caused by overloading.	Refer to test (8).
E5C	High Voltage experienced by MC.	Refer to test (12).
E5D	Communication problem.	Refer to test (10).
E5E	Communication problem.	Refer to test (10).
E5F	MC is continuously resetting.	Refer to test (10).
E67	Heater sensing relay failure.	Refer to test (13).
E68	Current leakage to ground on heater or fuse opened.	Refer to test (13).
E71	Drum water NTC failure. (Tub heater)	Refer to test (14).
E91	Communication error between UI board and main control board.	Refer to test (11).
E92	UI_MB communications error	Refer to test (11).
E93	Console or Main Board control problem.	Refer to test (11).
E94	Main Board control problem.	Refer to test (11).
E97	Console or Main Board control problem.	Refer to test (11).
E98	Console control problem.	Refer to test (10).
E9F	Communication protocol	Refer to test (10)
EA1	Power supply frequency out of limits	Refer to test (12).
EA2	Power supply voltage too high	Refer to test (12).
EA3	Power supply voltage too low	Refer to test (12).
EA5	Main Voltage sensing failure	Refer to test (12).
EAE	Line safe relay sensing failure	Refer to test (12).
EF1	Clogged drain pump.	Unclog the drain pump.
EF2	Too much soap.	Advise customer to reduce the amount of soap they are using.
EF6	Control Reset	Refer to Test (17)
EF8	Key Stuck	Check all buttons

Test		
Test	Check	Correction
Test 1	1. Is the incoming water flow normal?	Yes. Go to step (4). No. Go to step (2)
	2. Are the incoming water faucets turned on?	No. Turn water faucets on. Yes. Go to step (3).
	3. Is the incoming water pressure above (20) psi.	No. Have customer correct pressure problem. Yes. Check for kinked or blocked incoming water hoses, clean the incoming water screens. If problem still remains, replace the water inlet valve assembly.
	4. Does the fill water continue to enter the washer?	Yes. Go to step (5). No. Go to step (6)
	5. Remove power from the washer. Did the water fill stop?	Yes. Go to step (6) No. Replace the inlet valve assembly. Pressure switch checks good. Go to step (7). Pressure switch checks bad. Replace the pressure switch.
	6. Replace the pressure sensor.	If this did not correct the problem, go to step 7.
	7. Replace the main control board.	
Test 2	1. Is the washer leaking water?	Yes. Correct water leak. No. Go to step (2)
	2. Is there an air leak in the air bell system?	Yes. Correct the air leak problem. No. Go to step (3)
	3. Replace the pressure sensor.	If this did not correct the problem, Go to step (4)
	4. Replace the main control board.	
Test 3	1. Check the drain hose for restrictions.	Restriction. Correct problem. No restriction. Go to step (2).
	2. Start the washer and check for 120 VAC at the drain pump.	Zero. Check the wiring. If wiring good, replace the main control board. 120 VAC. Remove the pump and check for blockage. If blocked, remove the restriction, if not, replace the pump.
Test 4	Inspect the wiring between the pressure sensor and the main control board.	Defective wiring. Correct wiring. Good wiring. Replace the pressure sensor. If this does not correct the problem, replace the main control board.
Test 5	1. Is the water level above 4.5 inches?	Yes. Go to step (2). No. Go to step (4).
	2. Does water enter the washer continuously?	Yes. Go to step (3). No. Check Air Trap for clog, if not replace the main control board.
	3. Remove power from washer. Does the water stop coming in?	No. Replace the water valve assembly. Yes. Check wiring to valve assembly for shorts. If wiring is good, replace the main control board.
	4. Replace the pressure sensor switch. Did this correct the problem?	Yes. Problem solved. No. Replace the main control board.
Test 6	1. Is the loading door closed?	No. Close the door. Yes. Go the step (2).
	2. Can you hear the lock attempt to close?	Yes. Check the door strike. If good, replace the door switch. No. Go the step (3)
	3. Check wire connection between door lock and main control.	If good, go to step (4).
	4. Place the unit into Rinse Spin and remove any load from tub. Start the cycle.	Does the water pump out? If not go to Test 3. If yes, does it go into spin? If no, replace the door lock. Does this fix it? If no then replace the main control.
Test 7	1. Disconnect the plug from the drive motor and measure the resistance pins 4 & 5 in the motor.	If the reading is between 105 & 130 Ohms, replace the motor control board. If the meter reads other than between 105 & 130 Ohms, replace the motor.

Test

Test	Check	Correction
Test 8:	1. Find out if the unit was overloaded. If not, remove the belt from the motor and spin the motor pulley. Does the motor spin free?	No. Replace the motor. Yes. Go to step (2)
	2. Spin the tub pulley. Does the tub spin free?	No. Check the tub bearings. Yes. Go to step (3)
	3. Disconnect the plug from the motor and measure the resistance of the windings (pin 1 to pin 2, pin 1 to pin 3, pin 2 to pin 3). All readings should be between 3 and 6 Ohms.	If the readings are correct, check wiring from motor to motor control board, If good, replace the motor control board. If the readings are incorrect, replace the motor.
Test 9:	1. Remove the belt from the motor and spin the motor pulley. Does the motor spin free?	No. Replace the motor. Yes. Go to step (2)
	2. Spin the tub pulley. Does the tub spin free?	No. Check the tub bearings. Yes. Go to step (3)
	3. Disconnect the plug from the drive motor and measure the resistance between pins 4 & 5 in the motor.	If the meter reads other than between 105 & 130 Ohms, replace the motor. If the reading is between 105 & 130 Ohms, Go to step (4)
	4. Disconnect the plug from the motor and measure the resistance of the windings (pin 1 to pin 2, pin 1 to pin 3, pin 2 to pin 3). All readings should be between 3 and 6 Ohms.	If the readings are correct, replace the motor control board. If the readings are incorrect, replace the motor.
Test 10:	1. Communication problem. Check the wiring between the main control board and the motor control board.	Wiring bad, correct wiring problem. Wiring good, replace the main control board. If the problem is not corrected, replace the motor control board.
Test 11:	1. Communication problem. Check the wiring between the main control board and the user interface board.	Wiring bad. Correct wiring problem. Wiring good. Replace the user interface board. If the problem is not corrected, replace the main control board.
Test 12:	1. Have the power company check the frequency and voltage of the incoming power.	If correct, for error code E5C, replace the motor control board. If correct, for error codes EA1, EA2, EA3, EAE or EA5, replace the main control board
Test 13:	1. Check the resistance of the heating element. It should be approximately 14 ohms.	If the readings are incorrect, replace the heating element.
	2. Check the resistance between ground and both heater terminals. It should be open when the heater terminals are disconnected.	If the readings are incorrect, replace the heating element. If the problem is not corrected, replace the main control board.
Test 14:	1. Check the resistance of the drum water NTC. Is it around 4.8K ohms?	No, replace the heating element. Yes, check the wiring.
Test 15:	1. Check wiring between the main control board and motor control board.	If good, replace the motor control board.
Test 16:	1. Check wiring between main board and pump	If OK, then go to step (2).
	2. Check wiring between main control and recirculation board.	If OK, then go to step (3).
	3. Check pump for open coil (resistance check).	If OK, then replace main control.
Test 17:	1. Unplug the unit for 1 min. and retry.	If problem is not corrected replace main control.

Fiche de données techniques de laveuse

Informations réservées aux techniciens qualifiés.

ATTENTION : DÉBRANCHEZ L'ALIMENTATION ÉLECTRIQUE AVANT D'EFFECTUER TOUT ENTRETIEN

Replacez cette fiche dans son enveloppe dans l'appareil pour référence ultérieure

Sommaire	Page
Explication des codes d'erreur.....	6-7
Diagnostics	7
Tableau des codes d'erreur.....	8
Tests.....	9-10
Schéma de câblage.....	16

Acronymes :

MB - Carte principale (Carte située à l'intérieur de l'appareil sur le côté droit juste derrière le panneau de commande.)

MC - Commande moteur

UI - Carte d'interface utilisateur (carte située à l'intérieur du panneau de commande en façade avant)

DL - Verrou porte

LECTURE DES CODES D'ERREUR

1. Réveillez la laveuse en appuyant sur une touche quelconque (sauf la touche cancel (annuler)).
2. Appuyez et maintenez simultanément appuyées les touches "**Cancel (Annuler)**" et "**Start (Départ)**" pendant 6 secondes. Le code d'erreur s'affiche à l'écran sous la forme d'un E suivi de deux chiffres.

REMARQUE : E00 signifie qu'il n'existe aucun code d'erreur.

Vérifiez la source du problème en utilisant les tableaux des pages 8 à 10.

Si une erreur s'affiche et que la laveuse démarre momentanément et s'arrête de nouveau :

1. Écoutez si un relais de la commande se ferme peu de temps après avoir appuyé sur la touche "**Start (Départ)/Pause**".
2. Vérifiez si les connexions de la MB sont ajustées fermement.

Pour effacer le dernier code d'erreur en mémoire :

- Appuyez sur le bouton **CANCEL** (Annuler) pour passer en mode de veille et activer l'entrée de diagnostic.
- Dans les 10 secondes suivant l'utilisation du bouton **CANCEL** (Annuler), appuyez sur n'importe quel bouton pour réactiver les commandes.
- Dans les 5 secondes suivant la réactivation, tournez le sélecteur jusqu'au cycle le plus à gauche, puis maintenez simultanément enfoncés le bouton **CANCEL** (Annuler) et le **bouton situé au centre, sous l'afficheur** pendant 3 secondes pour passer en mode de diagnostic. (Remarque : pour économiser du temps lors de la réactivation, l'écran d'accueil peut être désactivé en tournant le sélecteur.)
- Tournez le bouton de programmation vers la droite de 9 tours (clics) à partir de la position Start (Départ). La commande signale les 5 derniers codes d'erreur, E00 signifiant qu'aucune erreur n'a été détectée.
- Maintenez simultanément enfoncés le **bouton situé au centre, sous l'afficheur** et le bouton **CANCEL** (Annuler) pendant 3 secondes. Le ou les codes s'effaceront.
- Pour refaire fonctionner normalement la laveuse :
 - a) Débranchez le cordon d'alimentation, attendez 5 à 8 secondes, puis rebranchez le cordon **OU**
 - b) Tournez le bouton de programmation vers la droite de 2 tours (clics) pour revenir à la position de départ (les voyants à DEL clignoteront).

Appuyez sur **CANCEL** (Annuler) et sur le **bouton situé au centre, sous l'afficheur** jusqu'à ce que les voyants à DEL arrêtent de clignoter.

Test de diagnostic

Le test de diagnostic sert uniquement à vérifier le fonctionnement de chaque composant.

POUR DÉMARRER LE TEST :

- Appuyez sur le bouton **CANCEL** (Annuler) pour passer en mode de veille et activer l'entrée de diagnostic.
- Dans les 10 secondes suivant l'utilisation du bouton **CANCEL** (Annuler), appuyez sur n'importe quel bouton pour réactiver les commandes.
- Dans les 5 secondes suivant la réactivation, tournez le sélecteur jusqu'au cycle le plus à gauche, puis maintenez simultanément enfoncés le bouton **CANCEL** (Annuler) et le **bouton situé au centre, sous l'afficheur** pendant 3 secondes pour passer en mode de diagnostic. (Remarque : pour économiser du temps lors de la réactivation, l'écran d'accueil peut être désactivé en tournant le sélecteur.)

1. Lors du passage en mode de diagnostic, tous les voyants doivent clignoter sur les modèles munis d'un afficheur de 3,2 x 5,1 cm (1¼ x 2 po).
2. Tournez le bouton de programme de 1 clic dans le sens horaire à partir de la position Start (Départ). Le solénoïde d'eau chaude est activé et l'eau chaude doit entrer par le compartiment de lavage.
3. Tournez le bouton de programme de 2 clics à partir de la position Start (Départ). Le solénoïde d'agent de blanchiment est activé et l'eau froide doit entrer par le compartiment réservé à l'agent de blanchiment.
4. Tournez le bouton de programme de 3 clics à partir de la position Start (Départ). Les solénoïdes d'agent de blanchiment et d'eau de lavage sont activés et l'eau froide doit entrer par le compartiment réservé à l'adoucisseur.
5. Tournez le bouton de programme de 4 clics à partir de la position Start (Départ). Le solénoïde de prélavage est activé et l'eau froide doit entrer par le compartiment de prélavage.
6. Tournez le bouton de programmation de cinq (5) positions (clics) à partir de la position de départ. Le solénoïde du verrou de la porte se désactivera et la porte pourra être ouverte. En ouvrant la porte, la lumière du tambour s'allumera (si la sècheuse est munie d'un système d'éclairage).
7. Tournez le bouton de programme de 6 clics à partir de la position Start (Départ). Le verrouillage de la porte est activé et la laveuse se remplit d'eau et se met à tourner. Une fois que le culbutage a démarré l'élément chauffant d'appoint se déclenche.
8. Tournez le bouton de programmation de sept (7) positions (clics) à partir de la position de départ. Il s'agit d'une position libre sur les modèles qui ne sont pas munis d'une pompe de recirculation. Si la sècheuse est équipée d'une pompe de recirculation et d'une lumière de tambour, ces deux éléments s'activeront.
9. Tournez le bouton de programmation de huit (8) positions (clics) à partir de la position de départ. La pompe de vidange démarrera et évacuera l'eau qui se trouve dans la cuve. Pour activer l'option d'essorage à vitesse rapide, appuyez sur la touche Delay Start (Mise en marche différée).
10. Tournez le bouton de programmation de neuf (9) positions à partir de la position de départ. L'affichage indiquera les cinq (5) derniers codes d'erreur, dont le code E00 qui n'est pas considéré comme une erreur.
11. Tournez le bouton de programmation de dix (10) positions à partir de la position de départ. La dernière version du logiciel sera présentée.
12. Le cas échéant, tournez le bouton de programmation de onze (11) positions à partir de la position de départ. Il s'agit d'une position normale.

Quitter le mode diagnostic

Pour refaire fonctionner normalement la laveuse :

a) Débranchez le cordon d'alimentation, attendez 5 à 8 secondes, puis rebranchez le cordon **OU**

b) Tournez le bouton de programmation vers la droite pour revenir à la position de départ. Maintenez simultanément enfoncés le bouton **CANCEL** (Annuler) et le **bouton situé au centre, sous l'afficheur** jusqu'à ce que les voyants à DEL arrêtent de clignoter.

RÉTABLISSEMENT DES RÉGLAGES PRÉPROGRAMMÉS À L'USINE

Pour les modèles munis d'un afficheur de 3,2 x 5,1 cm (1¼ x 2 po), réactivez l'appareil, appuyez simultanément sur les touches pour la vitesse d'essorage et le niveau de saleté et tenez-les enfoncées jusqu'à ce que vous entendiez un bip. Ceci ne devrait pas prendre plus de 10 secondes.

Tableau des codes d'erreur

Code d'erreur	Anomalie	Vérification
E11	Durée de remplissage trop longue.	Se référer au test (1).
E13	Fuite d'eau dans la cuve ou fuite d'air dans la cloche d'air.	Se référer au test (2).
E21	Eau pompée trop lentement.	Se référer au test (3).
E25	Relais du capteur de la pompe de recirculation	Se référer au test (16).
E26	Relais de la pompe de recirculation	Se référer au test (16).
E31	Défaillance du manostat électronique.	Se référer au test (4).
E32	Problème de calibrage du capteur de pression.	Se référer au test (4).
E35	Capteur de pression indiquant un remplissage d'eau excessif.	Se référer au test (5).
E38	Coupe-air encrassé.	Se référer au test (5).
E41	Tableau de commande fonctionnant comme si l'interrupteur de porte était ouvert.	Se référer au test (6).
E43	Problème au circuit CTP de la porte	Se référer au test (6).
E44	Défaillance du capteur de fermeture de la porte.	Se référer au test (6).
E45	Défaillance du capteur de porte alignée.	Se référer au test (6).
E47	Capteur CTP de la porte ouvert	Se référer au test (6).
E48	Capteur CTP de la porte fermé	Se référer au test (6).
E4A	Problème au circuit CTP de la porte	Se référer au test (6).
E52	Mauvais signal de la génératrice tachymétrique.	Se référer au test (7).
E53	Basse tension du tableau de commande moteur.	Se référer au test (15).
E54	Vitesse excessive.	Se référer au test (9).
E55	Vitesse insuffisante.	Se référer au test (9).
E57	Courant élevé dans le convertisseur.	Se référer au test (8).
E58	Courant de phase moteur élevé.	Se référer au test (8).
E59	Aucun signal tachymétrique pendant 3 secondes.	Se référer au test (9).
E5A	Température élevée dans le dissipateur thermique causée par une surcharge.	Se référer au test (8)
E5C	Haute tension dans la MC.	Se référer au test (12).
E5D	Problème de communication.	Se référer au test (10).
E5E	Problème de communication.	Se référer au test (10).
E5F	La commande du moteur (MC) se réinitialise continuellement.	Se référer au test (10).
E67	Défaillance du relais de détection de l'élément chauffant.	Se référer au test (13).
E68	Fuite de courant à la terre de l'élément chauffant ou fusible ouvert.	Se référer au test (13).
E71	Défaillance de la thermistance NTC de l'eau du tambour. (élément chauffant de la cuve)	Se référer au test (14).
E91	Erreur de communication entre la carte UI et la carte de contrôle.	Se référer au test (11).
E92	Erreur de communication UI_MB	Se référer au test (11).
E93	Problème de contrôle de la console ou de la carte principale.	Se référer au test (11).
E94	Problème de contrôle de la carte principale.	Se référer au test (11).
E97	Problème de contrôle de la console ou de la carte principale .	Se référer au test (11).
E98	Problème de contrôle de la console.	Se référer au test (10).
E9B	Problème de contrôle de la console.	Se référer au test (10).
E9F	Protocole de communication	Se référer au test (10)
EA1	Fréquence d'alimentation hors limites	Se référer au test (12).
EA2	Tension d'alimentation trop élevée	Se référer au test (12).
EA3	Tension d'alimentation trop basse	Se référer au test (12).
EA5	Défaillance de détection de la tension principale	Se référer au test (12).
EAE	Défaillance de détection du relais de sécurité	Se référer au test (12).
EF1	Pompe de vidange encrassée.	Nettoyer la pompe de vidange.
EF2	Trop de savon.	Conseiller au client de réduire la quantité de savon utilisée.
EF6	Remise à zéro de la commande	Se référer au test (17).
EF8	Touche bloquée	Vérifier toutes les touches

Test

Test	Vérification	Correction
Test 1	1. Est-ce que le flux d'entrée de l'eau est normal ?	Oui. Passez à l'étape (4). Non. Passez à l'étape (2)
	2. Est-ce que les robinets d'arrivée de l'eau sont ouverts ?	Non. Ouvrez les robinets d'eau. Oui. Passez à l'étape (3).
	3. Est-ce que la pression d'arrivée d'eau est supérieure à 20 psi ?	Non. Demandez au client de corriger le problème de pression d'eau. Oui. Vérifiez si les tuyaux d'arrivée d'eau sont bloqués ou déformés, nettoyez les tamis des tuyaux. Si le problème persiste, remplacez le robinet d'arrivée d'eau.
	4. Est-ce que l'eau de remplissage continue à entrer dans la laveuse ?	Oui. Passez à l'étape (5). Non. Passez à l'étape (6)
	5. Mettez la laveuse hors tension. Est-ce que le remplissage d'eau s'est arrêté ?	Oui. Passez à l'étape (6) Non. Remplacez le robinet d'arrivée d'eau. La vérification du pressostat est positive. Passez à l'étape (7). La vérification du pressostat est négative. Remplacez le pressostat.
	6. Remplacez le capteur de pression.	Si le problème persiste, passez à l'étape 7.
	7. Remplacez la carte de contrôle principale.	
Test 2	1. Est-ce que de l'eau fuit de la laveuse ?	Oui. Corrigez la fuite d'eau. Non. Passez à l'étape (2)
	2. Est-ce que de l'air fuit du système de cloche d'air ?	Oui. Corrigez le problème de fuite d'air. Non. Passez à l'étape (3)
	3. Remplacez le capteur de pression.	Si le problème persiste, passez à l'étape (4)
	4. Remplacez la carte de contrôle principale.	
Test 3	1. Vérifiez si le tuyau de vidange est obstrué.	Obstruction. Corrigez le problème. Aucune obstruction. Passez à l'étape (2).
	2. Démarrez la laveuse et vérifiez si la tension est de 120 V c.a. à la pompe de vidange.	Zéro. Vérifiez le câblage. Si le câblage est bon, remplacez la carte de contrôle principale. 120 V c.a. Démontez la pompe et vérifiez si elle est obstruée. Si est obstruée, enlevez l'obstruction, dans le cas contraire, remplacez la pompe.
Test 4	Inspectez le câblage entre le capteur de pression et la carte de contrôle principale.	Câblage défectueux. Réparez le câblage. Bon câblage. Remplacez le capteur de pression. Si le problème persiste, remplacez la carte de contrôle principale.
Test 5	1. Est-ce que le niveau d'eau excède 11,43 cm ?	Oui. Passez à l'étape (2). Non. Passez à l'étape (4).
	2. Est-ce que l'eau entre continuellement dans la laveuse ?	Oui. Passez à l'étape (3). Non. Vérifiez si le coupe-air est encrassé, si non remplacez la carte de contrôle principale.
	3. Mettez la laveuse hors tension. Est-ce que l'eau cesse d'entrer ?	Non. Remplacez le robinet d'eau. Oui. Vérifiez s'il y a un court-circuit dans le câblage au robinet. Si le câblage est bon, remplacez la carte de contrôle principale.
	4. Remplacez l'interrupteur du capteur de pression. Est-ce que cela corrige le problème ?	Oui. Problème résolu. Non. Remplacez la carte de contrôle.
Test 6	1. Est-ce que la porte de chargement est fermée ?	Non. Fermez la porte. Oui. Passez à l'étape (2).
	2. Est-ce que vous entendez le verrou qui essaie de se fermer ?	Oui. Vérifiez la gâche de la porte. Si elle est bonne, remplacez l'interrupteur de la porte. Non. Passez à l'étape (3)
	3. Vérifiez le câblage entre le verrou de la porte et le panneau de commande principal.	Si OK, passez à l'étape 4.
	4. Programmez la laveuse en mode « Rinse Spin » (Rinçage/essorage) et enlevez les articles qui pourraient se trouver dans la cuve. Démarrez le cycle.	Est-ce que l'eau s'évacue? Si NON, passez au test n° 3. Si OUI, la laveuse se met-elle en mode essorage? Si NON, remplacez le verrou de la porte. Est-ce que le nouveau verrou a réglé le problème? Si NON, remplacez le tableau de commande principal.

Test

Test	Vérification	Correction
Test 7	1. Débranchez le raccord du moteur et mesurez la résistance des broches 4 et 5 du moteur.	Si la valeur lue se situe entre 105 et 130 Ohms, remplacez la carte de contrôle de moteur. Si le compteur indique d'autres valeurs que 105 et 130 Ohms, remplacez le moteur.
Test 8	1. Cherchez à découvrir si l'appareil a été surchargé. Si non, démontez la courroie du moteur et faites tourner la poulie du moteur. Est-ce que le moteur tourne librement ?	Non. Remplacez le moteur. Oui. Passez à l'étape (2)
	2. Faites tourner la poulie de la cuve. Est-ce que la cuve tourne librement ?	Non. Vérifiez les roulements de la cuve. Oui. Passez à l'étape (3)
	3. Débranchez le raccord du moteur et mesurez la résistance des enroulements (broches 1 à 2 ; 1 à 3, 2 à 3). Toutes les valeurs lues doivent se situer entre 3 et 6 Ohms.	Si les lectures sont exactes, vérifiez le câblage du moteur à la commande de la carte de contrôle de moteur. S'il est bon, remplacez la carte de contrôle de moteur. Si les lectures sont erronées, remplacez le moteur.
Test 9	1. Démontez la courroie du moteur et faites tourner la poulie du moteur. Est-ce que le moteur tourne librement ?	Non. Remplacez le moteur. Oui. Passez à l'étape (2)
	2. Faites tourner la poulie de la cuve. Est-ce que la cuve tourne librement ?	Non. Vérifiez les roulements de la cuve. Oui. Passez à l'étape (3)
	3. Débranchez le raccord du moteur et mesurez la résistance des broches 4 et 5 du moteur.	Si le compteur indique d'autres valeurs que 105 et 130 Ohms, remplacez le moteur. Si la valeur lue se situe entre 105 et 130 Ohms, passez à l'étape (4)
	4. Débranchez le raccord du moteur et mesurez la résistance des enroulements (broches 1 à 2 ; 1 à 3, 2 à 3). Toutes les valeurs lues doivent se situer entre 3 et 6 Ohms.	Si les lectures sont exactes, remplacez la carte de contrôle de moteur. Si les lectures sont erronées, remplacez le moteur.
Test 10	1. Problème de communication. Vérifiez le câblage entre la carte de contrôle principale et la carte de contrôle de moteur.	Mauvais câblage. Corrigez le problème de câblage. Bon câblage. Remplacez la carte de contrôle principale. Si le problème persiste, remplacez la carte de contrôle de moteur.
Test 11	1. Problème de communication. Vérifiez le câblage entre la carte de contrôle principale et la carte d'interface utilisateur.	Mauvais câblage. Corrigez le problème de câblage. Bon câblage. Remplacez la carte d'interface utilisateur. Si le problème persiste, remplacez la carte de contrôle principale.
Test 12	1. Demandez au fournisseur d'électricité de vérifier la fréquence et la tension du courant entrant.	Si elles sont justes, pour le code d'erreur E5C, remplacez la carte de contrôle de vitesse. Si elles sont justes, pour les codes d'erreur EA1, EA2, EA3, EAE ou EA5, remplacez la carte de contrôle principale.
Test 13	1. Vérifiez la résistance de l'élément chauffant. Elle doit être d'environ 14 Ohms.	Si les lectures sont erronées, remplacez l'élément chauffant.
	2. Vérifiez la résistance entre la mise à la terre et les deux bornes de l'élément chauffant. Elle doit être nulle lorsque les bornes de l'élément chauffant sont débranchées.	Si les lectures sont erronées, remplacez l'élément chauffant. Si le problème persiste, remplacez la carte de contrôle principale.
Test 14	1. Vérifiez la résistance de la thermistance CTN de la l'eau du tambour. Est-ce qu'elle se situe autour de 4,8K Ohms ?	Non, remplacez l'élément chauffant. Oui, vérifiez le câblage.
Test 15	1. Vérifiez le câblage entre la carte de contrôle principale et la carte de contrôle de moteur.	S'il est bon, remplacez la carte de contrôle de moteur.
Test 16	1. Vérifiez le câblage entre la carte principale et la pompe.	Si OK, passez à l'étape 2.
	2. Vérifiez le câblage entre le tableau de commande principale et la carte de recirculation.	Si OK, passez à l'étape 3.
	3. Assurez-vous que la bobine de la pompe n'est pas ouverte (test de résistance).	Si OK, remplacez le tableau de commande principal.
Test 17	1. Débranchez l'appareil pendant 1 minute puis ressayer.	Si le problème persiste, remplacez le panneau de commande principal.

Hoja técnica de lavadora

Esta información está destinada exclusivamente a los técnicos calificados.

PRECAUCIÓN: DESCONECTE LA CORRIENTE ELÉCTRICA ANTES DE DAR MANTENIMIENTO O SERVICIO

Por favor devuelva esta hoja a su sobre en el producto para referencia futura

Contenido	Página
Explicación de los códigos de error.....	11-12
Diagnósticos	12
Tabla de Códigos de error.....	13
Pruebas.....	14-15
Diagrama de cableado.....	16

Acrónimos:

MB - tarjeta principal (tarjeta localizada dentro de la máquina al lado derecho justo detrás del panel de control).

MC - Control de motor

UI - Tarjeta de Interfaz de Usuario (tarjeta localizada dentro del panel de control delantero)

DL - Seguro de la puerta

LECTURA DE CÓDIGOS DE ERROR

1. Ponga la lavadora en estado de actividad presionando cualquier botón (excepto el botón de cancelar).
2. Mantenga presionados los botones “**Cancel**” y “**Start**” al mismo tiempo durante 6 segundos. El código de la falla se mostrará en la pantalla como una E seguida de dos números.

NOTA: E00 significa que no hay un código de falla. Resuelva el problema usando las tablas en las páginas 13-15.

Si no se muestra un error, la lavadora arranca momentáneamente y luego se apaga:

1. Escuche si se cierra un relé dentro del control inmediatamente después de que presione la tecla “**Start/Pause**”.
2. Revise las conexiones en la MB y asegúrese de que estén firmemente sujetas.

Para borrar el último código de error almacenado:

- Oprima el botón “**Cancel**” (cancelar) para ingresar al modo de espera y habilitar la entrada al diagnóstico.
- En los siguientes 10 segundos después de oprimir “**Cancelar**”, oprima cualquier botón para encender el control.
- En los siguientes 5 segundos desde el encendido, gire la perilla de selección hasta llegar al ciclo que está más a la izquierda y oprima y mantenga oprimido el botón “**cancel**” (anular) y **el botón central debajo de la pantalla**, simultáneamente durante 3 segundos, para ingresar al Modo de Diagnóstico. (Nota: para ahorrar tiempo en el momento del encendido, puede evitarse la pantalla de bienvenida girando la perilla de selección).
- Gire la perilla de programa 9 posiciones (clicks) hacia la derecha de vuelta a la posición de Inicio. El control señalará los últimos 5 códigos de error, en donde E00 significa que no han habido errores.
- Mantenga oprimidos simultáneamente el **botón central debajo de la pantalla** y el botón “**cancel**” (**anular**) durante 3 segundos. El (los) código(s) serán anulados.
- Para regresar la lavadora al modo de operación normal.
 - a) Desconecte el cable, espere de 5 a 8 segundos y vuelva a conectar el cable de corriente **Q**
 - b) Gire la perilla de programa 2 posiciones (clicks) hacia la derecha de vuelta a la posición “Start” (encendido) (con las luces LED destellando). Oprima el botón “**cancel**” (anular) y el botón **central debajo de la pantalla** hasta que las luces LED dejen de destellar.

Prueba de diagnóstico

La prueba de diagnóstico se usa únicamente para verificar el funcionamiento de los componentes individuales.

PARA INICIAR LA PRUEBA:

- Oprima el botón “**Cancel**” (cancelar) para ingresar al modo de espera y habilitar la entrada al diagnóstico.
- En los siguientes 10 segundos después de oprimir “**Cancelar**”, oprima cualquier botón para encender el control.
- En los siguientes 5 segundos desde el encendido, gire la perilla de selección hasta llegar al ciclo que está más a la izquierda y oprima y mantenga oprimido el botón “**cancel**” (anular) y **el botón central debajo de la pantalla**, simultáneamente durante 3 segundos, para ingresar al Modo de Diagnóstico. (Nota: para ahorrar tiempo en el momento del encendido, puede evitarse la pantalla de bienvenida girando la perilla de selección).

1. Al ingresar al Modo de Diagnóstico, en los modelos con pantallas de 1¼" x 2" todas las luces deben destellar.
2. Gire la perilla de programa (1) click en sentido del reloj desde la posición de inicio. Se activará el solenoide de agua caliente y el agua caliente deberá entrar a través del compartimiento para el detergente.
3. Gire la perilla de programa (2) clicks desde la posición de inicio. Se activará el solenoide de agua para el blanqueador y el agua fría deberá entrar a través del compartimiento para blanqueador.
4. Gire la perilla de programa (3) clicks desde la posición de inicio. Los solenoides de blanqueador y agua de lavado se activarán y el agua fría deberá entrar a través del compartimiento del suavizante.
5. Gire la perilla de programa (4) clicks desde la posición de inicio. El solenoide de prelavado se activará y el agua fría deberá entrar a través del compartimiento de prelavado.
6. Gire la perilla de programa a 5 posiciones desde la posición de inicio. El solenoide de bloqueo de la puerta se desactivará y la puerta de carga podrá ser abierta. Cuando abra la puerta, la luz del tambor debe encenderse (si viene equipada).
7. Gire la perilla de programa (6) clicks desde la posición de inicio. El seguro de la puerta se activará y la lavadora se llenará y comenzará a girar. Una vez se haya iniciado el centrifugado, el calefactor de potencia se encenderá.
8. Gire la perilla de programa a 7 posiciones desde la posición de inicio. Esta es una posición libre en los modelos sin bomba de recirculación. La bomba de recirculación y la luz del tambor se activarán si vienen equipadas.
9. Gire la perilla de programa a 8 posiciones desde la posición de inicio. La bomba de drenaje se activará y drenará cualquier cantidad de agua que quede en la tina. Para activar el centrifugado rápido, oprima la tecla "Delay Start" (encendido diferido).
10. Gire la perilla de programa a 9 posiciones desde la posición de inicio. El control indicará los últimos cinco códigos de error (E00 significa que no hay error).
11. Gire la perilla de programa a 10 posiciones desde la posición de inicio. Se mostrará la última versión del software.
12. Si corresponde, gire la perilla de programa a 11 posiciones desde la posición de inicio. Esta es una posición libre.

Salir del modo de diagnóstico

Para regresar la lavadora al modo de operación normal:

- a) Desconecte el cable, espere de 5 a 8 segundos y vuelva a conectar el cable de corriente **Q**
- b) Gire la perilla de programa a la derecha de vuelta a la posición "Start" (encendido). Oprima el botón "**cancel**" (anular) y el botón **central** debajo de la pantalla hasta que las luces LED dejen de destellar.

Presione los botones "**Cancel**" y el **botón de la extrema izquierda bajo la pantalla** hasta que el indicador LEDs deje de parpadear.

RESTABLECIMIENTO DE LA CONFIGURACIÓN DE FÁBRICA

Modelos de pantalla de 1¼"x2", encienda la máquina, presione el botón de velocidad y las teclas de selección simultáneamente y mantenga presionado hasta que escuche una señal sonora. No tardará más de 10 segundos.

Tabla de códigos de error

Código de error	Condición de falla	Revise
E11	Demasiado tiempo para el llenado.	Consulte la prueba (1).
E13	Fuga de agua en la tina o fuga de aire en la campana de aire.	Consulte la prueba (2).
E21	El drenado de agua no es lo suficientemente rápido.	Consulte la prueba (3).
E25	Sensor de relé de bomba de recirculación	Consulte la prueba (16).
E26	Relé de bomba de recirculación	Consulte la prueba (16).
E31	Falla del interruptor electrónico de presión.	Consulte la prueba (4).
E32	Problema con la calibración del sensor de presión.	Consulte la prueba (4).
E35	El sensor de presión indica llenado excesivo de agua.	Consulte la prueba (5).
E38	Trampa de aire obstruida.	Consulte la prueba (5).
E41	El tablero de control cree que el interruptor de la puerta está abierto.	Consulte la prueba (6).
E43	Problema del circuito CTP de la puerta	Consulte la prueba (6).
E44	Falla en el sensor de puerta cerrada.	Consulte la prueba (6).
E45	Falla en el sensor de puerta alineada.	Consulte la prueba (6).
E47	Sensor CTP de la puerta detecta puerta abierta	Consulte la prueba (6).
E48	Sensor CTP de la puerta detecta puerta cerrada	Consulte la prueba (6).
E4A	Problema del circuito CTP de la puerta	Consulte la prueba (6).
E52	Mala señal desde el taco generador.	Consulte la prueba (7).
E53	Voltaje bajo hacia el tablero de control del motor.	Consulte la prueba (15).
E54	Velocidad excesiva.	Consulte la prueba (9).
E55	Velocidad insuficiente.	Consulte la prueba (9).
E57	Corriente elevada en el inversor.	Consulte la prueba (8).
E58	Corriente alta en la fase del motor.	Consulte la prueba (8).
E59	No hay señal de taco por 3 segundos.	Consulte la prueba (9).
E5A	Alta temperatura en la tina de calefacción provocada por sobrecarga.	Consulte la prueba (8).
E5C	Alto voltaje en MC.	Consulte la prueba (12).
E5D	Problema de comunicación.	Consulte la prueba (10).
E5E	Problema de comunicación.	Consulte la prueba (10).
E5F	MC se restablece continuamente.	Consulte la prueba (10).
E67	Falla del relé del sensor de calor.	Consulte la prueba (13).
E68	Circuito abierto a tierra en el calentador o fusible abierto.	Consulte la prueba (13).
E71	Falla de NTC de agua de tambor. (Calentador de tina)	Consulte la prueba (14).
E91	Error de comunicación entre la tarjeta de UI y la tarjeta de control.	Consulte la prueba (11).
E92	Error de comunicaciones UI_MB	Consulte la prueba (11).
E93	Problema de control de la consola o tarjeta principal.	Consulte la prueba (11).
E94	Problema de control de la tarjeta principal.	Consulte la prueba (11).
E97	Problema de control de la consola o tarjeta principal.	Consulte la prueba (11).
E98	Problema de control de la consola.	Consulte la prueba (10).
E9B	Problema de control de la consola.	Consulte la prueba (10).
E9F	Protocolo de comunicación	Consulte la prueba (10).
EA1	Frecuencia de suministro de energía fuera de límites	Consulte la prueba (12).
EA2	Voltaje de suministro de energía demasiado alto	Consulte la prueba (12).
EA3	Voltaje de suministro de energía demasiado bajo	Consulte la prueba (12).
EA5	Falla en el sensor del voltaje principal	Consulte la prueba (12).
EAE	Falla en el sensor del relé de seguridad	Consulte la prueba (12).
EF1	Bomba de drenado obstruida.	Destape la bomba de drenado.
EF2	Demasiado jabón.	Avise al cliente que reduzca la cantidad de detergente que utiliza.
EF6	Restablecimiento del control	Consulte la prueba (17).
EF8	Llave atascada	Revise todos los botones

Prueba

Prueba	Revise	Corrección
Prueba 1	1. ¿El flujo del agua entrante es normal?	Si. Vaya al paso (4). No. Vaya al paso (2).
	2. ¿Están abiertas las llaves de agua?	No. Abra las llaves de agua. Si. Vaya al paso (3).
	3. La presión del agua entrante está sobre (20) psi.	No. Haga que el cliente que corrija el problema de presión. Si. Verifique que las mangueras del agua entrante no estén dobladas u obstruidas, limpie los filtros de entrada de agua. Si el problema persiste, cambie el conjunto de la válvula de admisión de agua.
	4. ¿El agua para llenado continúa entrando a la lavadora?	Si. Vaya al paso (5). No. Vaya al paso (6).
	5. Quite la corriente de la lavadora. ¿Se detuvo el llenado de agua?	Si. Vaya al paso (6). No. Cambie el conjunto de la válvula de admisión. La verificación del interruptor de presión es buena. Vaya al paso (7). La verificación del interruptor de presión es mala. Cambie el interruptor de presión.
	6. Cambie el sensor de presión.	Si no se corrige el problema con esto, vaya al paso 7.
	7. Cambie la tarjeta de control principal.	
Prueba 2	1. ¿Hay fuga de agua en la lavadora?	Si. Corrija la fuga de agua. No. Vaya al paso (2).
	2. ¿Hay fuga de aire en el sistema de la campana de aire?	Si. Corrija el problema de fuga de aire. No. Vaya al paso (3)
	3. Cambie el sensor de presión.	Si no se corrige el problema con esto, vaya al paso (4)
	4. Cambie la tarjeta de control principal.	
Prueba 3	1. Compruebe que la manguera de drenado no esté obstruida.	Obstrucción. Corrija el problema. No hay obstrucción. Vaya al paso (2).
	2. Inicie la lavadora y compruebe que hay 120 V de CA en la bomba de drenado.	Cero. Revise el cableado. Si el cableado está bien, cambie la tarjeta de control principal. 120 VCA. Quite la bomba y compruebe que no esté bloqueada. Si está bloqueada, quite la obstrucción; si no, cambie la bomba.
Prueba 4	Inspeccione el cableado entre el sensor de presión y la tarjeta de control principal.	Cableado defectuoso. Corrija el cableado. Cableado bueno. Cambie el sensor de presión. Si esto no corrige el problema, cambie la tarjeta de control principal.
Prueba 5	1. ¿El nivel del agua está por encima de 4.5 pulgadas?	Si. Vaya al paso (2). No. Vaya al paso (4).
	2. ¿El agua entra continuamente a la lavadora?	Si. Vaya al paso (3). No. Revise la trampa de aire en busca de obstrucciones, si no las hay cambie la tarjeta de control principal.
	3. Quite la corriente de la lavadora. ¿El agua deja de entrar?	No. Cambie el conjunto de la válvula de agua. Si. Revise el cableado de la válvula en busca de cortos. Si el cableado está bien, cambie la tarjeta de control principal.
	4. Cambie el interruptor del sensor de presión. ¿Se solucionó el problema?	Si. Problema resuelto. No. Cambie la tarjeta de control principal.
Prueba 6	1. ¿Está cerrada la puerta de carga?	No. Cierre la puerta. Si. Vaya al paso (2).
	2. ¿Puede escuchar el seguro intentando cerrarse?	Si. Revise el enganche de la puerta. Si está bien, cambie el interruptor de la puerta. No. Vaya al paso (3).
	3. Verifique la conexión del cable entre el seguro de la puerta y el control principal.	Si está bien, vaya al paso 4.
	4. Coloque la unidad en el ciclo de enjuague y centrifugado y retire la ropa de la tina. Inicie el ciclo.	¿La unidad saca el agua por medio de la bomba? Si no, vaya a la prueba 3. Si es así, ¿pasa al centrifugado? Si no, reemplace el seguro de la puerta. ¿Esta solución resuelve el problema? Si no, reemplace el control principal.

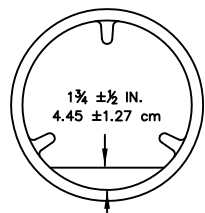
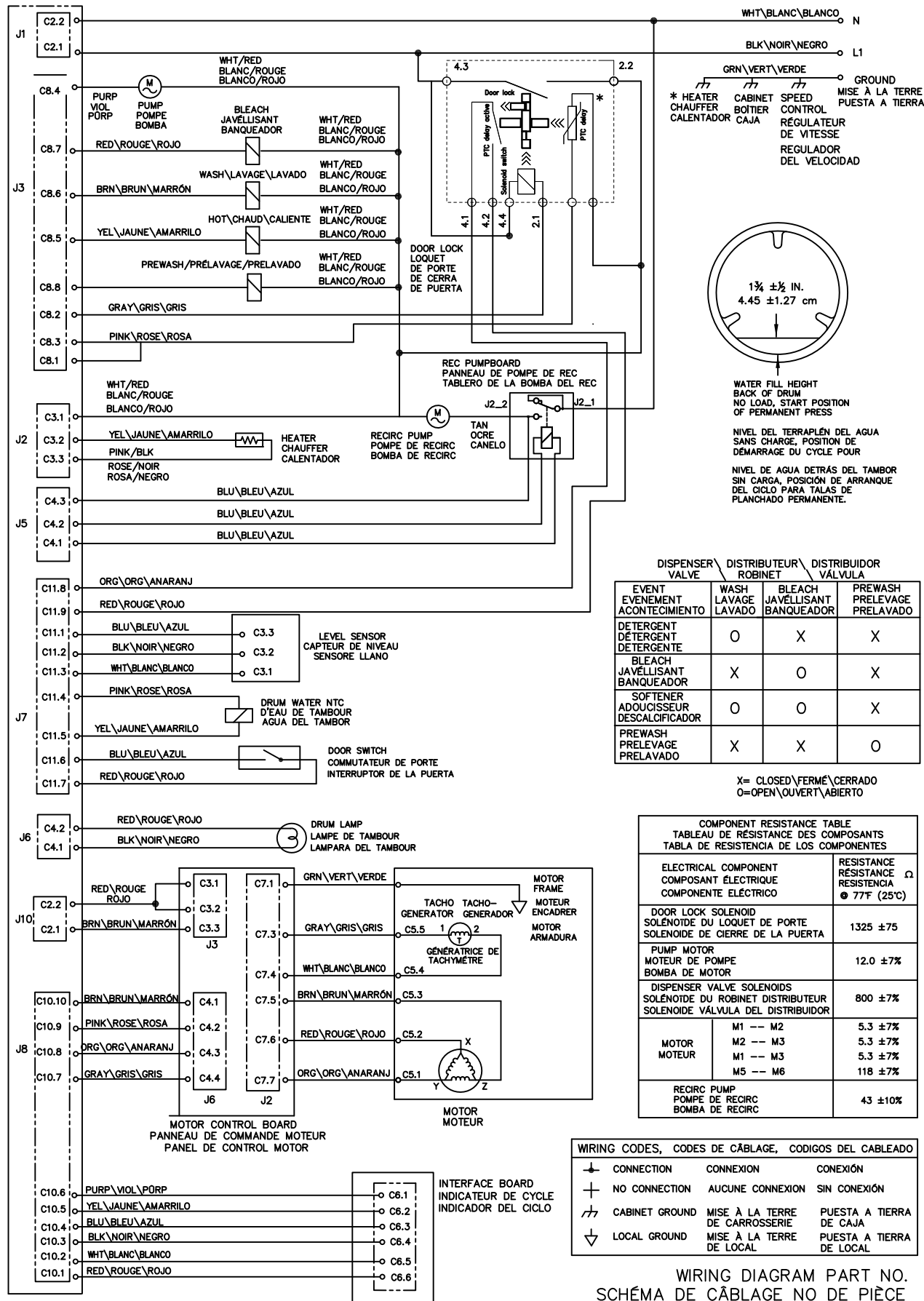
Prueba		
Prueba	Revise	Corrección
Prueba 7	1.Desconecte la clavija del motor de marcha y mida los pines de resistencia números 4 y 5 en el motor.	No. Cambie el motor. Si. Vaya al paso (2).
Prueba 8	1.Averigüe si la unidad fue sobrecargada. Si no, quite la banda del motor y gire la polea del motor. ¿El motor gira libremente? 2.Gire la polea de la tina. ¿La tina gira libremente?	No. Revise los cojinetes de la tina. Si. Vaya al paso (3).
	3.Desconecte la clavija del motor y mida la resistencia de los pines (pin 1 a pin 2, pin 1 a pin 3, pin 2 a pin 3). Todas las lecturas deben estar entre 3 y 6 Ohms.	Si las lecturas son correctas, revise el cableado desde el motor al control de motor. Si está bien cambie la tarjeta de control de velocidad. Si las lecturas son incorrectas, cambie el motor.
Prueba 9	1.Quite la banda del motor y gire la polea del motor. ¿El motor gira libremente?	No. Cambie el motor. Si. Vaya al paso (2).
	2.Gire la polea de la tina. ¿La tina gira libremente?	No. Revise los cojinetes de la tina. Si. Vaya al paso (3).
	3.Desconecte la clavija del motor de marcha y mida la resistencia de los pines números 4 y 5 en el motor.	Si el ohmímetro marca una lectura distinta a entre 105 y 130 Ohms, cambie el motor. Si la lectura está entre 105 y 130 Ohms, vaya al paso (4)
	4.Desconecte la clavija del motor y mida la resistencia de los pines (pin 1 a pin 2, pin 1 a pin 3, pin 2 a pin 3). Todas las lecturas deben estar entre 3 y 6 Ohms.	Si las lecturas son correctas, cambie la tarjeta de control de motor. Si las lecturas son incorrectas, cambie el motor.
Prueba 10	1.Problema de comunicación. Revise el cableado entre la tarjeta de control principal y la tarjeta de control de motor.	Cableado malo. Corrija el problema de cableado.Cableado bueno. Cambie la tarjeta de control principal. Si el problema no se corrige, cambie la tarjeta de control de motor.
Prueba 11	1.Problema de comunicación. Revise el cableado entre la tarjeta de control principal y la tarjeta de interfaz de usuario.	Cableado malo. Corrija el problema de cableado.Cableado bueno. Cambie la tarjeta de interfaz del usuario. Si el problema no se corrige, cambie la tarjeta de control principal.
Prueba 12	1.Haga que la compañía de servicio de energía eléctrica revise la frecuencia y voltaje de la corriente entrante.	Si está correcto, para el código de error E5C, cambie la tarjeta de control de motor. Si está correcto, para los códigos de error EA1, EA2, EA3, EAE o EA5, cambie la tarjeta de control principal
Prueba 13	1.Compruebe la resistencia del elemento calefactor. Debe ser aproximadamente 14 ohms.	Si las lecturas son incorrectas, cambie el elemento calefactor.
	2.Compruebe la resistencia entre la tierra y ambas terminales del calefactor. Deben estar abiertas cuando las terminales del calefactor estén desconectadas.	Si las lecturas son incorrectas, cambie el elemento calefactor. Si el problema no se corrige, cambie la tarjeta de control principal.
Prueba 14	1. Compruebe la resistencia de NTC de la agua de tambor. ¿Está alrededor de 4.8K ohms?	No, cambie el conjunto del calefactor. Si. Revise el cableado.
Prueba 15	1.Revise el cableado entre la tarjeta de control principal y la tarjeta de control de motor.	Si está bien, cambie la tarjeta de control de motor.
Prueba 16	1. Verifique el cableado entre el tablero principal y la bomba.	Si está bien, vaya al paso 2.
	2. Verifique el cableado entre el control principal y el tablero de recirculación.	Si está bien, vaya al paso 3.
	3. Verifique la bomba en busca de un solenoide abierto (verificación de resistencia).	Si está bien, reemplace el control principal.
Prueba 17	Desenchufe la unidad por 1 minuto e intente de nuevo.	Si no se resuelve el problema, reemplace el control principal.

▲ WARNING TO REDUCE THE RISK OF ELECTRICAL SHOCK DISCONNECT THIS APPLIANCE FROM THE POWER SUPPLY BEFORE ATTEMPTING ANY USER MAINTENANCE. TURNING THE CONTROLS TO THE OFF POSITION DOES NOT DISCONNECT THIS APPLIANCE FROM THE POWER SUPPLY.

▲ AVERTISSEMENT POUR RÉDUIRE LE RISQUE DE CHOC ÉLECTRIQUE, DÉBRANCHER CET APPAREIL DE L'ALIMENTATION AVANT DE PROCÉDER À L'ENTRETIEN. EN TOURNANT LES COMMANDES À LA POSITION ARRÊT, L'ON NE COUPE PAS L'ALIMENTATION ÉLECTRIQUE DE L'APPAREIL.

▲ ADVERTENCIA PARA REDUCIR EL RIESGO DE CHOQUE ELÉCTRICO, DESENCHUFE ESTE APARATO DE LA ALIMENTACIÓN ELÉCTRICA ANTES DE EFECTUAR EL MANTENIMIENTO. AL GIRAR LOS CONTROLES A LA POSICIÓN OFF (APAGADO) NO SE CORTA LA ALIMENTACIÓN ELÉCTRICA AL ARTEFACTO.

MAIN CONTROL BOARD/TABLEAU DE COMMANDE PRINCIPAL/TABLERO DE CONTROL PRINCIPAL



WATER FILL HEIGHT BACK OF DRUM NO LOAD, START POSITION OF PERMANENT PRESS
 NIVEL DEL TERRAPLEN DEL AGUA SANS CHARGE, POSITION DE DÉMARRAGE DU CYCLE POUR
 NIVEL DE AGUA DETRAS DEL TAMBOR SIN CARGA, POSICIÓN DE ARRANQUE DEL CICLO PARA TALAS DE PLANCHADO PERMANENTE.

EVENT ÉVÉNEMENT ACONTECIMIENTO	WASH LAVAGE LAVADO	BLEACH JAVÉLLISANT BANQUEADOR	PREWASH PRELAVAGE PRELAVADO
DETERGENT DÉTERGENT DÉTERGENTE	O	X	X
BLEACH JAVÉLLISANT BANQUEADOR	X	O	X
SOFTENER ADOUCCISSEUR DESCALCIFICADOR	O	O	X
PREWASH PRELAVAGE PRELAVADO	X	X	O

X=CLOSED/FERMÉ/CERRADO
 O=OPEN/OUVERT/ABIERTO

COMPONENT RESISTANCE TABLE TABLEAU DE RÉSISTANCE DES COMPOSANTS TABLA DE RESISTENCIA DE LOS COMPONENTES		RESISTANCE RÉSISTANCE RESISTENCIA @ 77°F (25°C)
ELECTRICAL COMPONENT COMPOSANT ÉLECTRIQUE COMPONENTE ELÉCTRICO		Ω
DOOR LOCK SOLENOID SOLÉNOÏDE DU LOQUET DE PORTE SOLÉNOÏDE DE CIERRE DE LA PUERTA		1325 ± 75
PUMP MOTOR MOTEUR DE POMPE BOMBA DE MOTOR		12.0 ± 7%
DISPENSER VALVE SOLENOIDS SOLÉNOÏDE DU ROBINET DISTRIBUTEUR SOLÉNOÏDE VÁLVULA DEL DISTRIBUIDOR		800 ± 7%
MOTOR MOTEUR	M1 -- M2	5.3 ± 7%
	M2 -- M3	5.3 ± 7%
	M1 -- M3	5.3 ± 7%
	M5 -- M6	118 ± 7%
RECIRC PUMP POMPE DE RECIRC BOMBA DE RECIRC		43 ± 10%

WIRING CODES, CODES DE CÂBLAGE, CODIGOS DEL CABLEADO	CONNEXION	CONNEXION
⬇	CONNECTION	CONNEXION
+	NO CONNECTION	AUCUNE CONNEXION
⌋	CABINET GROUND	MISE À LA TERRE DE CARROSSERIE DE CAJA
⌋	LOCAL GROUND	MISE À LA TERRE DE LOCAL

WIRING DIAGRAM PART NO.
 SCHÉMA DE CÂBLAGE NO DE PIÈCE
 DIAGRAMA DE CONEXIONES NO DE PIEZA

137289400 A