

| PERFORMANCE DATA NO LOAD AND NO DOOR OPENINGS AT MID-POINT CONTROL SETTING | | | | |
|--|-----------------------------------|-------------------------------------|--------|------|
| Capacitor Run or Induction Run | 65°F (18°C) Ambient | 90°F (32°C) Ambient | | |
| Operating Time | 25 to 35% | 45 to 55% | | |
| Freezer Temperature | 2° to 8°F -17° to -13°C | 0° to 5°F -18° to -15°C | | |
| Refrigerate Temperature | 35° to 40°F 2° to 4°C | 35° to 40°F 2° to 4°C | | |
| Low Side Pressure (cut-in) | 8 to 16 psig 55 to 110 kPa | 8 to 16 psig 55 to 110 kPa | | |
| Low Side Pressure (cut-out) | 1 to 4 psig 7 to 28 kPa | 1 to 4 psig 7 to 28 kPa | | |
| High Side Pressure (Last 1/3 of cycle) | 110 to 120 psig 758 to 827 kPa | 150 to 175 psig 1034 to 1207 kPa | | |
| Wattage (Last 1/3 of cycle) | 140 to 185 | 140 to 185 | | |
| Amps (Running) | 1.1 to 1.6 | 1.1 to 1.6 | | |
| Base Voltage | 115 VAC (127 VAC Max) | 115 VAC (127 VAC Max) | | |
| DEFROST SPECIFICATIONS | | | | |
| Cabinet Size | Thermostat | | Heater | |
| | Cut-in | Cut-out | Watts | Ohms |
| 18' & 21' | 25°F -4°C | 47°F 8°C | 375 | 35 |
| 14', 15' & 17' | 25°F -4°C | 47°F 8°C | 325 | 41 |
| Mechanical Timer - Defrost 30 Minutes Every 10 Hours of Compressor Run Time Electronic Timer (ADC) Defrost Up To 24 Minutes Every 6 - 72 Hours of Compressor Run Time | | | | |
| CONDENSER FAN MOTOR | | | | |
| Watts | RPM | Amps | | |
| 2.3 | 1100 CW Opposite Shaft | .15 Running | | |
| ICE MAKER SPECIFICATIONS | | | | |
| Electrical | 115 VAC (127 VAC Max) | 60 Hertz | | |
| Thermostat | Opens at 48°F (9°C) | Closes at 15°F (-9°C) | | |
| Heater Wattage | 165 | | | |
| ICE MAKER CONNECTOR PLUG CONNECTIONS | | | | |
| Wire Number | Wire Color | Connects to: | | |
| 1 | Green/Yellow | Ground | | |
| 2 | Yellow | Water Valve | | |
| 3 | Black | Line | | |
| 4 | Lt. Blue | Neutral | | |

SERVICE DATA SHEET

STANDARD - AUTOMATIC
DEFROST TOP FREEZER MODELS (R134a) P/N: 240379011

IMPORTANT SAFETY NOTICE

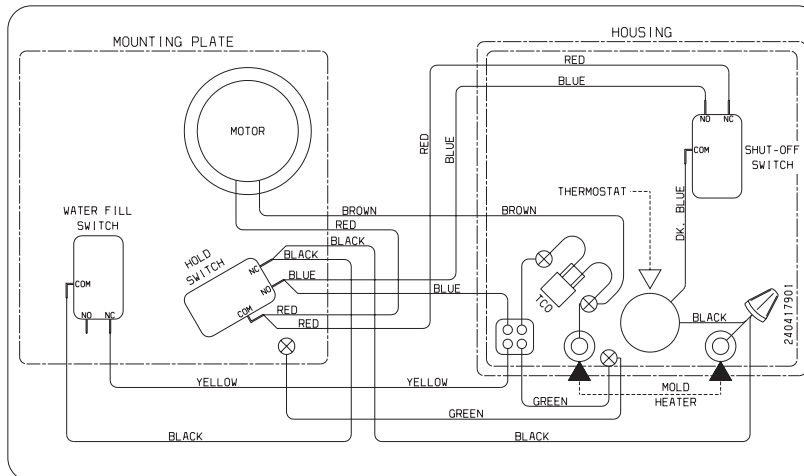
The information provided herein is designed to assist qualified repair personnel only. Untrained persons should not attempt to make repairs due to the possibility of electrical shock. Disconnect power cord before servicing.

IMPORTANT

If any green grounding wires are moved during servicing, they must be returned to their original position and properly secured.

CAUTION: All electrical parts and wiring must be shielded from torch flame. Do not allow torch to contact insulation; it will char at 200°F and flash ignite (burn) at 500°F. Excessive heat will distort the plastic liner.

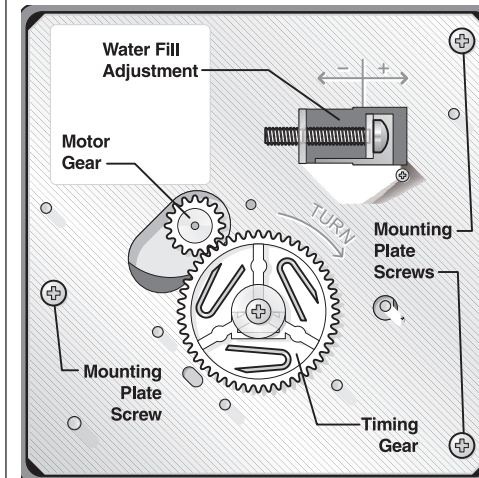
NOTE: Some products come equipped with an Electronic Defrost Control. To initiate defrost, depress the fresh food light switch 5 times in 6 seconds (light bulb must be working). To terminate defrost, depress the fresh food light switch 5 times in 6 seconds.



ICE MAKER INFORMATION

Test Cycling

Remove cover by inserting screwdriver in notch at bottom and prying cover from housing. Use screwdriver to rotate motor gear counterclockwise until *Holding Switch* circuit is completed. All components of ice maker should function to complete the cycle.



Water Fill Volume

The water fill adjustment screw will change the fill time. One full turn is equal to 20cc (.68 oz.). The correct fill is 95 to 105cc (3.2 to 3.6 oz.). When a water valve is replaced, the fill volume must be checked.

