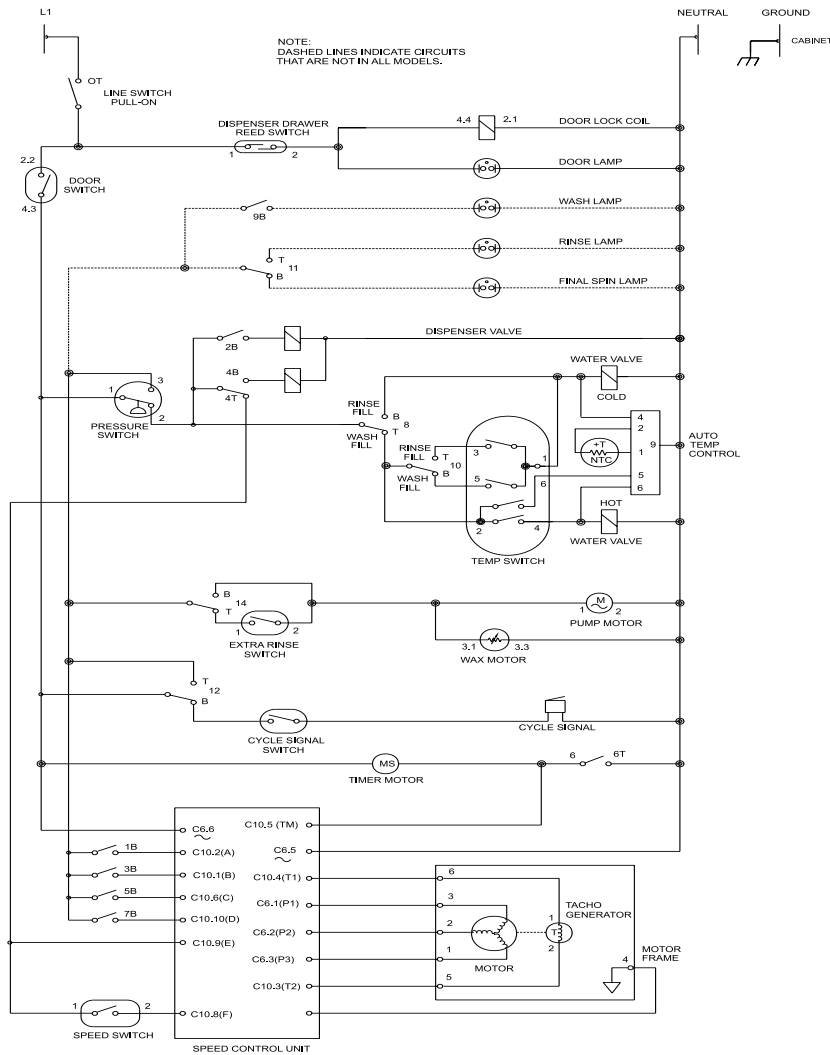


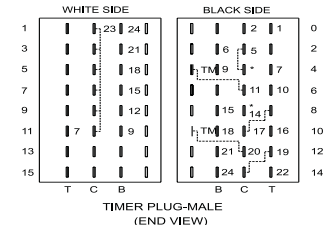
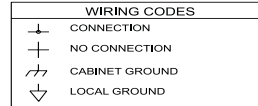
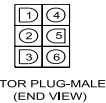
STEP NO.	STEP TIME (MIN.)	CIRCUIT	REGULAR			OFF	QUICK WASH			OFF	EASY CARE			OFF	DELICATE & HAND WASH CYCLE			OFF
			WASH	RINSES & SPINS	FINAL SPIN	WASH	RINSES & SPINS	FINAL SPIN	WASH	RINSES & SPINS	FINAL SPIN	WASH	RINSES & SPINS	FINAL SPIN				
0	0	DETENT																
1	2	MACHINE POWER																
1	23	CODE A																
2	5	SOLENOID 2																
3	19	CODE B																
4	5	CODE E SOLENOID 1																
5	23	CODE C																
6	11	TM DIRECT																
7	23	CODE D																
8	14	WASH WATER-MAIN																
9	23	RINSE WATER-MAIN																
10	17	WASH LAMP																
11	23	RINSE WATER TEMP																
12	20	FINAL SPIN LAMP																
14	19	PRESS SW. BYPASS BUZZER DRAIN PUMP DRAIN PUMP																



ELECTRICAL COMPONENT	RESISTANCE Ω @ 77°F (25 @ 77°C)	
WATER VALVE SOLENOIDS	880 \pm 10%	
DOOR LOCK SOLENOID	380 \pm 10%	
TIMER MOTOR	2425 \pm 6%	
PUMP MOTOR	15 \pm 7%	
DISPENSER VALVE SOLENOIDS	1100 \pm 7%	
MOTOR	M1 TO M2	2.6 \pm 7%
	M2 TO M3	2.6 \pm 7%
	M1 TO M3	2.6 \pm 7%
	M5 TO M6	184 \pm 7%

WASH/RINSE	CIRCUIT			
	1-3	1-5	2-6	2-4
H/C		X		X
W/C, OPT	X	X		X
W/W, OPT	X	X		X
REG C/C		X	X	X
REG W/C		X	X	X
REG W/W	X			X

H=HOT W=WARM C=COLD
REG=REGULATED X=CLOSED
OPT=OPTIONAL (NOT IN ALL MODELS)



WARNING TO REDUCE THE RISK OF ELECTRICAL SHOCK DISCONNECT THIS APPLIANCE FROM THE POWER SUPPLY BEFORE ATTEMPTING ANY USER MAINTENANCE. TURNING THE CONTROLS TO THE OFF POSITION DOES NOT DISCONNECT THIS APPLIANCE FROM THE POWER SUPPLY.