



Dishwasher

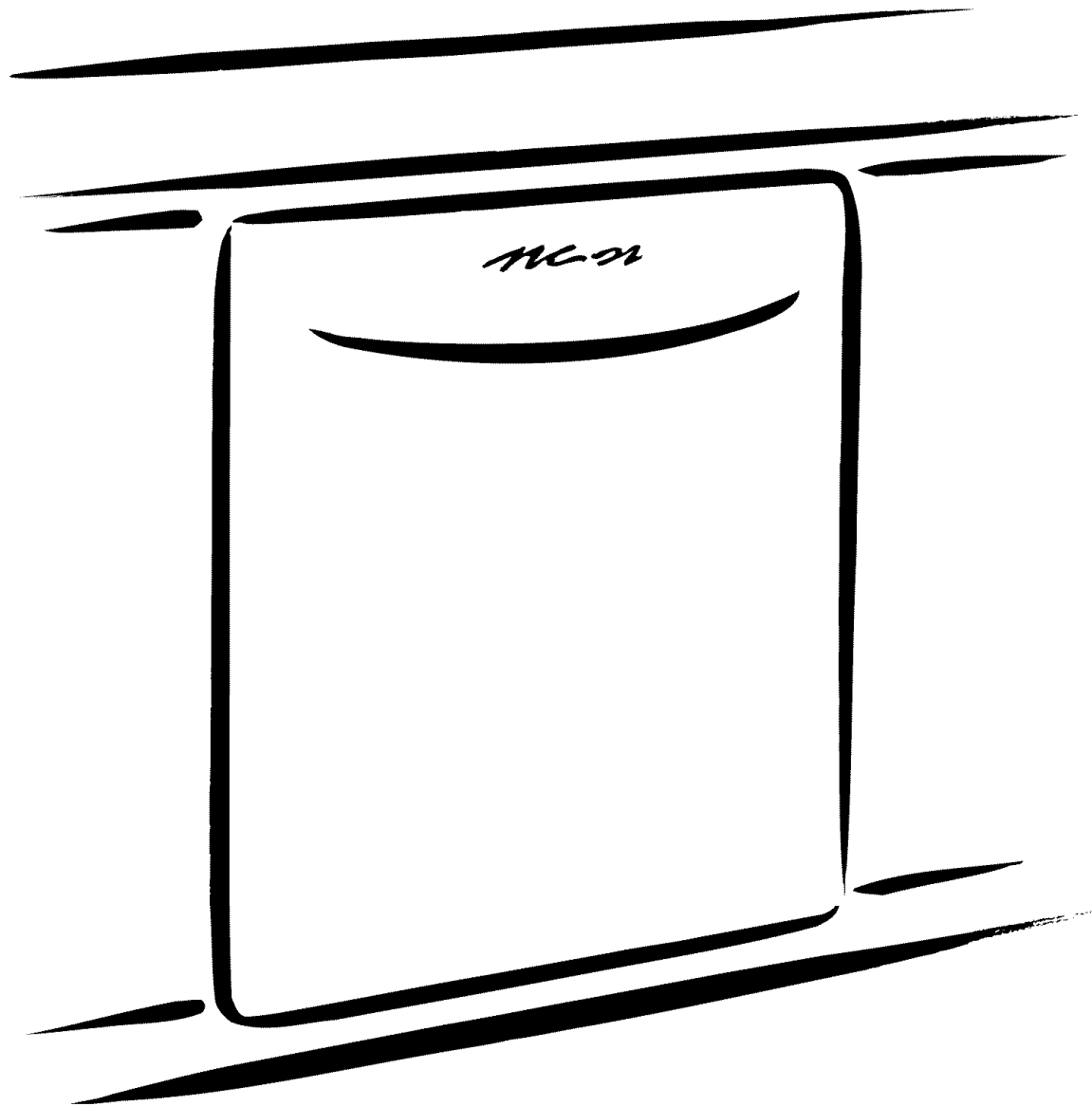
Use & Care Guide

Lavavajillas

Manual de uso y cuidado

Models/Modelos 587.1401*

* = color number, número de color



ENGLISH
ESPAÑOL

Table of Contents

Warranty	3
Safety Instructions	4
Operating Instructions	5
Preparing and Loading Dishes	6-7
Dishwasher Dispenser and Detergents	8-9
Factors Affecting Performance	9
Care and Cleaning	10
Solutions to Common Dishwashing Problems	11-12
Service	Back Cover

Master Protection Agreements

Congratulations on making a smart purchase. Your new Kenmore® product is designed and manufactured for years of dependable operation. But like all products, it may require preventive maintenance or repair from time to time. That's when having a Master Protection Agreement can save you money and aggravation.

The Master Protection Agreement also helps extend the life of your new appliance. Here's what the Agreement* includes:

- ☑ **Parts and labor** needed to help keep products operating properly **under normal use**, not just defects. Our coverage goes **well beyond the product warranty**. No deductibles, no functional failure excluded from coverage - **real protection**.
- ☑ **Expert service** by a force of more than **10,000 authorized Sears service technicians**, which means someone you can trust will be working on your product.
- ☑ **Unlimited service and nationwide service**, as often as you want us, whenever you want us.
- ☑ **"No-lemon" guarantee** – replacement of your covered product if Four or more product failures occur within twelve months
- ☑ **Product replacement** if your covered product can't be fixed
- ☑ **Annual Preventive Maintenance Check** at your request - no extra charge
- ☑ **Fast help by phone** – we call it **Rapid Resolution** - phone support from a Sears representative on all products. Think of us as a "talking owner's manual"
- ☑ **Power surge protection** against electrical damage due to power fluctuations
- ☑ **\$250 Food Loss Protection** annually for any food spoilage that is the result of mechanical failure of any covered refrigerator or freezer.
- ☑ **Rental reimbursement** if repair of your covered product takes longer than promised
- ☑ **10% discount** off the regular price of any non-covered repair service and related installed parts.

Once you purchase the Agreement, a simple phone call is all that it takes for you to schedule service. You can call anytime day or night, or schedule a service appointment online.

The Master Protection Agreement is a risk free purchase. If you cancel for any reason during the product warranty period, we will provide a full refund. Or, a prorated refund anytime after the product warranty period expires. Purchase your Master Protection Agreement today!

Some limitations and exclusions apply. For prices and additional information call 1-800-827-6655.

***Coverage in Canada varies on some items. For full details call Sears Canada at 1-800-361-6665.**

Sears Installation Service

For Sears professional installation of home appliances, garage door openers, water heaters, and major home items, in the U.S.A. call **1-800-4-MY-HOME®**.

Kenmore Appliance Warranty

One Year Limited Warranty

When installed, operated and maintained according to all instructions supplied with the product, if this appliance fails due to a defect in material or workmanship within one year from the date of purchase, call 1-800-4-MY-HOME® to arrange for free repair. If this appliance is used for other than private family purposes, this warranty applies for only 90 days from the date of purchase.

This warranty covers only defects in material and workmanship. Sears will NOT pay for:

1. Expendable items that can wear out from normal use, including but not limited to filters, belts, light bulbs, and bags.
2. A service technician to instruct the user in correct product installation, operation or maintenance.
3. A service technician to clean or maintain this product.
4. Damage to or failure of this product if it is not installed, operated or maintained according to all instructions supplied with the product.
5. Damage to or failure of this product resulting from accident, abuse, misuse or use for other than its intended purpose.
6. Damage to or failure of this product caused by the use of detergents, cleaners, chemicals or utensils other than those recommended in all instructions supplied with the product.
7. Damage to or failure of parts or systems resulting from unauthorized modifications made to this product.

Disclaimer of implied warranties; limitations of remedies

Customer's sole and exclusive remedy under this limited warranty shall be product repair as provided herein. Implied warranties, including warranties of merchantability or fitness for a particular purpose, are limited to one year or the shortest period allowed by law. Sears shall not be liable for incidental or consequential damages. Some states and provinces do not allow the exclusion or limitation of incidental or consequential damages, or limitations on the duration of implied warranties of merchantability or fitness, so these exclusions or limitations may not apply to you.

This warranty applies only while this appliance is used in the United States and Canada.

This warranty gives you specific legal rights, and you may also have other rights which vary from state to state.

**Sears, Roebuck and Co.,
Dept. 817WA, Hoffman Estates, IL 60179
Sears Canada Inc.
Toronto, Ontario, Canada M5B 2B8**

In the space below, record your complete model number, serial number and purchase date. You can find this information on the model and serial number label, located as shown in the Dishwasher Features section of this book. Have this information available to help you quickly obtain assistance or service when you contact Sears concerning your appliance.

Model Number: 587. _____

Serial Number: _____

Purchase Date: _____

Save these instructions and your sales receipt for future reference.

ENGLISH

Important Safety Instructions

⚠ WARNING

This symbol will help alert you to such dangers as personal injury, burns, fire, and electrical shock.

⚠ WARNING

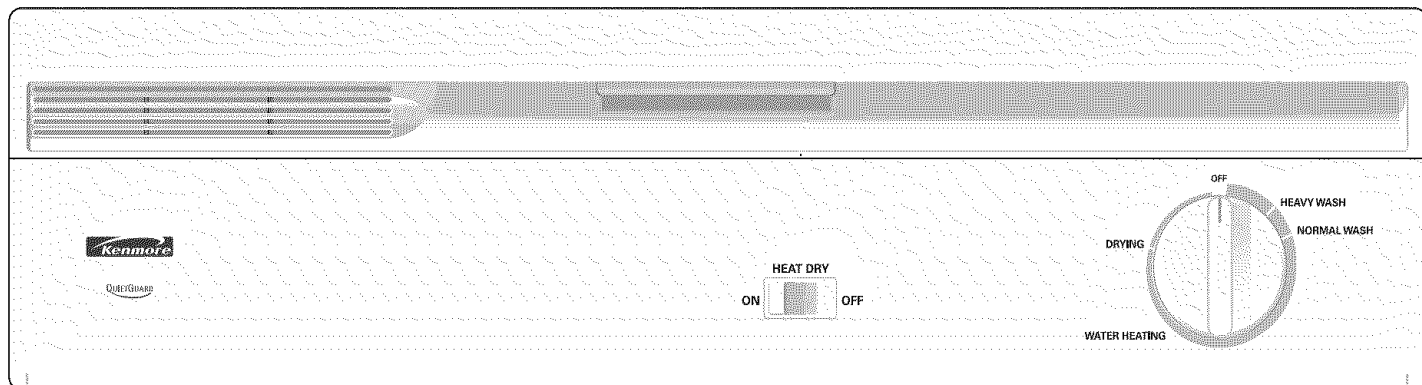
To reduce the risk of fire, electrical shock, or injury when using your dishwasher, follow basic precautions including the following:

- Read all instructions before using your dishwasher.
- Use your dishwasher only as instructed in this Use and Care Guide.
- Instructions appearing in this Use and Care Guide are not meant to cover every possible condition and situation that may occur. Practice common sense and caution when installing, operating and maintaining any appliance.
- **DISHWASHER MUST BE ELECTRICALLY GROUNDED.** Read the Installation Instructions for details.
- This dishwasher is designed to operate on regular house current (120 V, 60 Hz). Use a circuit equipped with a 15 ampere fuse or circuit breaker. Use a 20 ampere fuse if dishwasher is connected with a food waste disposer.
- Do not operate dishwasher unless all enclosure panels are in their proper place.
- To avoid entrapment and/or suffocation, remove door or door latch mechanism from any dishwasher that is discarded or not in use.
- Keep young children and infants away from dishwasher when it is operating.
- Do not let children abuse, sit, stand or play on door or racks of a dishwasher.
- Use only detergents and rinse agents recommended for use in a dishwasher.
- Store dishwasher detergent and rinse agents out of the reach of children.
- Do not wash plastic items unless marked “dishwasher safe” or the equivalent. Check with manufacturer for recommendations, if not marked. Items that are not dishwasher safe may melt and create a potential fire hazard.
- If the dishwasher drains into a food disposer, make sure disposer is completely empty before running dishwasher.
- Disconnect electrical power to dishwasher before servicing.
- Repairs should be done by a qualified technician.
- Do not tamper with controls.
- Do not touch the heating element during or immediately after use.
- When loading items to be washed:
 - Locate sharp items and knives so that they are not likely to damage the door seal or tub.
 - Load sharp items and knives with the handles up to reduce the risk of cut-type injuries.
- Under certain conditions, hydrogen gas may be produced in a hot water system that has not been used for 2 weeks or more. **HYDROGEN GAS IS EXPLOSIVE.** If hot water system has not been used for such a period, before using dishwasher, turn on all hot water faucets and let water flow from each for several minutes. This will release any accumulated hydrogen gas. **HYDROGEN GAS IS FLAMMABLE.** Do not smoke or use an open flame during this time.
- Do not store or use combustible materials, gasoline or other flammable vapors and liquids in the vicinity of this or any other appliance.

ENGLISH

**SAVE THESE
INSTRUCTIONS**

Operating Instructions



Getting Started

1. Load dishwasher (See Preparing and Loading Dishes).
2. Add detergent (See Dishwasher Dispenser & Detergents).
3. Add rinse aid, if needed (See Rinse Aid).
4. Select desired energy OPTIONS (See Energy Options).
5. Turn dial clockwise to select cycle (See Cycle Chart).
6. Run hot water faucet nearest dishwasher until water is hot. Turn water off.
7. To start, close door to latch.

Cycle Chart					
Cycles	Description	To Select Cycle	Water (approx.)	Time (approx.)	Washes/Rinses
Heavy Wash	For pots, pans, casseroles and dinnerware with dried-on or baked-on soils.	<ul style="list-style-type: none"> • Select desired OPTIONS. • Turn dial to HEAVY WASH. 	8.4 gal. 31.8 liters	1 3/4 hrs.*	2 washes 5 rinses
Normal Wash	For regularly soiled dishes and silverware.	<ul style="list-style-type: none"> • Select desired OPTIONS. • Turn dial to NORMAL WASH. 	7.2 gal. 27.3 liters	1 1/2 hrs.*	2 washes 4 rinses

* Includes dry time.

Energy Options

Heat Dry Option

The Heat Dry option in combination with rinse aid will give you excellent drying results. The energy to use Heat Dry costs pennies per cycle. You may turn off the Heat Dry option, however you will have items in your dishload that will not be dry at the end of the cycle.

With either option, you may see water vapor coming from vent during drying portion of cycle.

The drying option may be changed at any time during the cycle and affects only the drying period.

Water Heating Delay

This dishwasher is equipped with a thermostat to ensure that the water is heated to the proper temperature to deliver optional cleaning and drying results. The knob/timer on the dishwasher may pause at approximately the 7pm position. The dishwasher is not “stuck” here, but is simply heating the water to the proper temperature before advancing to the next cycle. If the dishwasher holds this position on every cycle, then the incoming (house) water temperature may be low. A minimum water temperature of 120F is recommended to avoid the water heating delay.

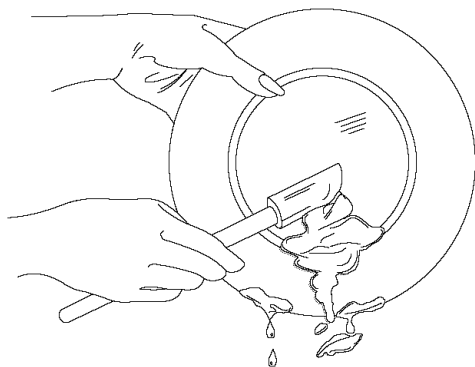
Preparing and Loading Dishes

Dish Preparation

Scrape away large pieces of food, bones, pits, toothpicks, etc. The continuous filtered wash system will remove remaining food particles. Burned-on foods should be loosened before loading. Empty liquids from glasses and cups.

Foods such as mustard, mayonnaise, vinegar, lemon juice and tomato based products may cause discoloration of stainless steel and plastics if allowed to sit for a long period of time. Unless the dishwasher is to be operated at once, it is best to rinse off these food soils.

- Load racks so that large items do not prevent the detergent dispenser from opening.
- Check manufacturer's recommendations before washing items in question.
- If the dishwasher drains into a food disposer, **be sure disposer is completely empty before starting dishwasher.**



Loading the Top Rack

The top rack is designed for cups, glasses, small plates, saucers and bowls.

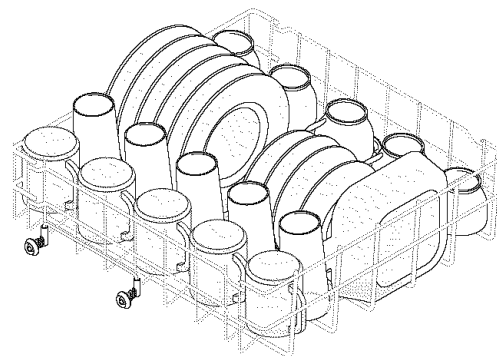
Load glasses in top rack. Damage may occur if placed in bottom rack.

Load plastic items in top rack only. Melting may occur if placed in bottom rack.

Load items with open ends facing down for better cleaning and draining.

Damage may occur if delicate items touch each other during dishwasher operation.

Long-handled knives and utensils can be placed in top rack.

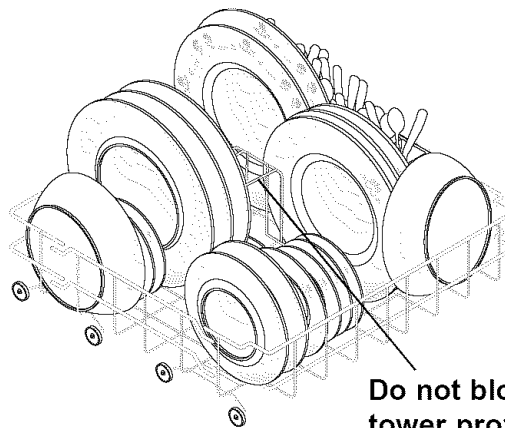


Loading the Bottom Rack

Place plates and platters so that they do not touch.

Place bowls, casseroles and sauce pans with the soiled surface facing down or toward the center. Tilt slightly for better drainage.

Be sure pan handles do not protrude through the bottom of the rack and block the spray arm rotation.



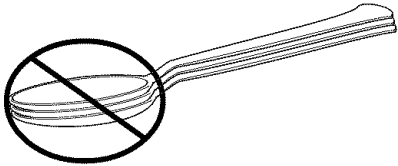
Do not block tower protector.

ENGLISH

Preparing and Loading Dishes (continued)

Loading the Silverware Basket

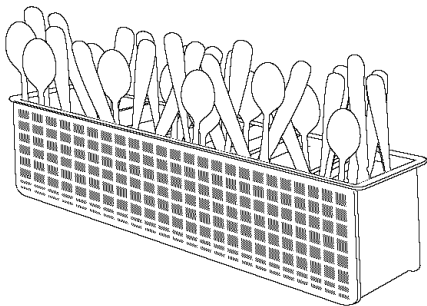
Mix spoons, forks and knives to prevent nesting.
Mixing items gives better cleaning and drying.



For safety, load sharp knives and forks with handles up.

Be sure nothing protrudes through bottom of basket or rack to block the spray arm.

Do not mix silver and stainless to avoid damaging the silver finish.



Dishwasher Dispenser & Detergents

Filling the Detergent Dispenser

The detergent dispenser has one covered and one uncovered cup. Detergent in the uncovered cup falls into the dishwasher when the door is closed. The covered cup opens automatically to release detergent.

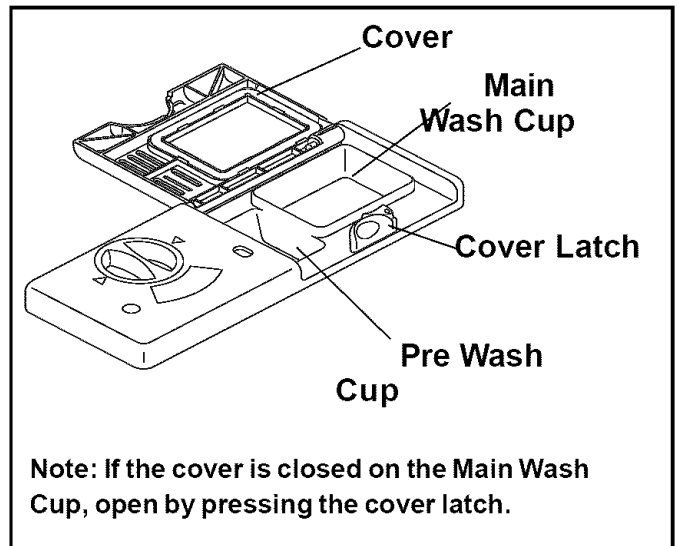
- Use only fresh automatic dishwashing detergent. Other detergents will cause oversudsing.
- When using automatic dishwashing detergent tabs, place one tab in main wash cup and close.
- Add detergent just before starting cycle.
- Store detergent in a cool, dry location. Moist or caked detergent will not dissolve properly.

⚠ CAUTION

The use of industrial grade detergent can damage the heating coil and other parts of the dishwasher leading to damage to the unit and surrounding property. Use only household grade automatic dishwasher detergents.

How much Detergent to use

The amount of detergent to use depends on the water hardness. Water hardness is measured in grains per gallon. Using too little detergent can result in poor cleaning and hard water filming or spotting. Using too much detergent in soft water can cause a permanent film called etching. Your local water company, water softener company or county extension agent can tell you the water hardness in your area.



Detergent Usage Guide				
Cycle	Soft Water (0-3 grains)	Medlum Hard Water (4-8 grains)	Hard Water (9-12 grains)	Very Hard Water* (over 12 grains)
Heavy Wash or Normal Wash	2 teaspoons (each cup— 1/4 full)	5 teaspoons (each cup—fill to line above "Regular")	8 teaspoons (each cup— completely full)	Each Cup— Completely Full (water softener recommended)

***Note:** For very hard water, detergent alone may not be enough. A water softener is recommended to improve water quality and dishwashing performance. Try adding more detergent at the beginning of the main wash portion of the cycle. As a rule, use 1 teaspoon for each grain above 12. Unlatch the door, open slowly and add detergent to the bottom of the tub. Close the door to latch and the dishwasher will continue through the cycle.

Dishwasher Dispenser & Detergents (continued)

Rinse Aid

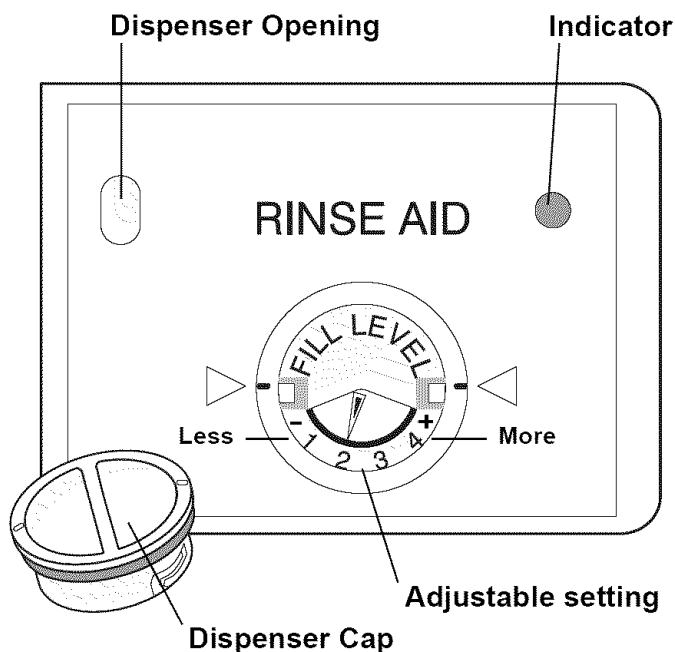
Rinse aid greatly improves drying and reduces water spots and filming. Water “sheets” off dishes rather than forming water droplets that cling and leave spots.

A dispenser, located next to the detergent cup, automatically releases a measured amount of rinse aid during the last rinse. If spotting and poor drying are problems, increase the amount of rinse aid dispensed by rotating the dial to a higher number. The dial is located under the dispenser cap. The indicator will be dark when full and will show clear when it is time to refill.

To add liquid rinse aid, turn dispenser cap 1/4 turn counterclockwise and lift out. Pour in rinse aid until liquid touches the indicated fill level. Replace cap.

Do not overfill since this can cause oversudsing. Wipe up any spills with a damp cloth.

The dispenser holds enough for 35 to 140 washes, depending on setting.



The HEAT DRY option in combination with rinse aid will give you excellent drying results. The energy to use HEAT DRY costs pennies per cycle. You may turn off the HEAT DRY option, however you will have items in your dish load that will not be dry at the end of the cycle.

Factors Affecting Performance

Water Pressure

The hot water line to the dishwasher must provide water pressure between 20 and 120 psi.

Low water pressure may occur when laundry or showers are in operation. Wait until water use is reduced before starting dishwasher.

Water Temperature

Hot water is needed for best dishwashing and drying results. Water entering dishwasher should be at least 120°F (49°C) to give satisfactory results.


To check water temperature entering dishwasher:

- Turn on hot water faucet nearest dishwasher for several minutes to clear cool water from pipes.
- Hold a candy or meat thermometer in stream of water to check the temperature.
- If temperature is below 120°F (49°C), have a qualified person raise the hot water heater thermostat setting.

Important: Before starting a cycle, run hot water through faucet to clear cool water from pipe.

ENGLISH

Care and Cleaning

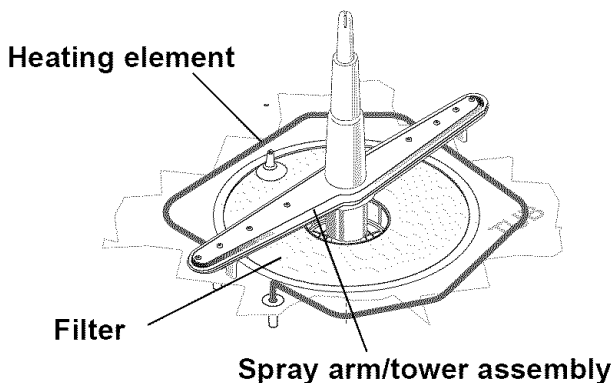
⚠ WARNING	
	Burn Hazard Allow heating element to cool before cleaning the interior. Failure to do so can result in burns.

Outside—Occasionally wipe with a mild nonabrasive detergent and water. Rinse and dry.

Models with Stainless Steel

Door—Clean stainless steel with hot, soapy water and a dishcloth. Rinse with clean water and a cloth. Do not use harsh scrubbing cleaners. Use only kitchen cleaners made especially for cleaning stainless steel.

Inside—The inside of the dishwasher, including the filter, is self-cleaning with normal use. If needed, clean around the tub gasket area with a damp cloth.

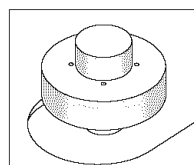


Note: Hard water may cause lime deposit buildup on the interior of the dishwasher. For cleaning instructions see “Removing Spots and Film” section.

Overfill Protector

Keeps dishwasher from overflowing and is located in the left front corner of the tub.

- Clean occasionally with household cleaner containing vinegar or bleach to dissolve any buildup.
- Overfill Protector should move up and down freely about one inch. If it does not move, lift and clean underneath.



Care of Drain Air Gap

If a drain air gap was installed for your built-in dishwasher, check to make sure it is clean so the dishwasher will drain properly. A drain air gap is usually mounted on countertop and can be inspected by removing the cover. This is not part of your dishwasher and is not covered by warranty.

⚠ CAUTION
Property Damage Hazard Freezing temperatures may cause water lines to rupture. Be sure all supply lines to and circulating lines within dishwasher are protected. Failure to do so could result in property damage.

Winterizing

A dishwasher left in an unheated place should be protected from freezing. Have a qualified person do the following:

To Disconnect Service:

1. Turn off electrical power to the dishwasher at the supply source by removing fuses or tripping circuit breaker.
2. Shut off water supply.
3. Place a pan under the inlet valve. Disconnect water line from inlet valve and drain into pan.
4. Disconnect drain line from pump and drain water into pan.

Note: See Installations Instructions for more details.

To Restore Service:

1. Reconnect the water, drain, and electrical power supply.
2. Turn on water and electrical power supply.
3. Fill both detergent cups and run dishwasher through a NORMAL cycle.
4. Check connections to make sure they do not leak.

Note: See Installations Instructions for more details.

ENGLISH

Solutions to Common Dishwashing Problems

Before calling for service, review this list. It may save you both time and expense. This list includes common experiences that are not the result of defective workmanship or material in your dishwasher.

Food Soils Left on Dishes

- Choose another cycle for longer washing time.
- Check rack loading section for proper loading—avoid nesting items.
- Home water pressure may be too low—should be 20 to 120 pounds per square inch (psi).
- Check incoming water temperature. It should be at least 120°F (49°C). (See Factors Affecting Performance.)
- Check water hardness. For extremely hard water, it may be necessary to install a water softener. (See Detergent Chart.)
- Use fresh detergent.
- Check to make sure tower in lower rack is not blocked.
- Make sure items are not blocking the spray arm, preventing it from rotating.

Dishes not Dry

- Select HEAT DRY ON option.
- Make sure the rinse aid dispenser is filled.
- Increase the amount of rinse aid. (See Rinse Aid.)
- Check the incoming water temperature. Be sure it is at least 120°F (49°C).
- Check for proper loading—avoid nesting items.
- Plastic items may need to be towel dried.
- Cups with a concave bottom will collect water.

Dishware Chipped

- Load with care and do not overload. (See Preparing and Loading dishes.)
- Place delicate items in top rack.
- Place glasses securely against pins and not over pins.
- Load items so they are secure and don't jar loose when moving racks in and out. Move racks in and out slowly.
- Make sure tall glasses and stemware will clear top of tub when rack is pushed in.
- Fine antique china and crystal should be hand-washed.

Glassware/Flatware Spotted or Cloudy

- Check water hardness. For extremely hard water, it may be necessary to install a water softener. (See Detergent Chart.)
- Water temperature may be low. Avoid extremely low or high temperatures. (See Factors Affecting Performance.)
- Avoid overloading and improper loading. (See Preparing and Loading Dishes.)
- Use fresh detergent. Old detergent is ineffective.
- Check to see that proper amount of detergent is being used. Also, check phosphate level. (See Filling the Detergent Dispenser.)
- Home water pressure may be too low—it should be 20 to 120 pounds per square inch (psi).

Dishware Stained or Discolored

- Tea and coffee can stain cups. Remove the stains by hand washing in a solution of 1/2 cup (120 ml) bleach and one quart (1 L) of warm water. Rinse thoroughly.
- Iron deposits in water can cause a yellow or brown film. A special filter installed in the water supply line will correct this problem. (See Removing Spots and Film.)
- Aluminum utensils can leave gray/black marks when they rub against other items. Load properly.
- Certain high acid foods can cause discoloration of stainless steel and plastics if allowed to sit for a long period. Rinse by hand if not operating dishwasher at once.
- Mixing stainless steel and silver utensils in silverware basket can cause pitting of the stainless steel blades. Avoid mixing stainless steel and silver.

Etching

- Using too much detergent in soft or softened water causes this film that cannot be removed.
- Adjust the amount of detergent based on the water hardness. (Check Detergent Chart.)
- Lower the water temperature.
- Use the HEAT DRY OFF option.

Dishwasher Won't Fill

- Is water supply turned on?
- Does overflow protector move up and down freely? (See Overflow Protector section.)
- The normal full water level of the dishwasher will only reach the bottom of the heater clips.

Solutions to Common Dishwashing Problems (continued)

Dishwasher Leaks

- Use only fresh detergent designed for automatic dishwashers. Measure detergent carefully. Try a different brand.
- Spilled rinse aid can cause foam and lead to overflowing. Wipe up any spills with damp cloth.
- Check to see that dishwasher is level. (See Installation Instructions.)

Normal Sounds You Will Hear

- Normal sounds include water fill, water circulation and motor sounds.

Water in Bottom of Tub

- Water left in bottom of tub after cycle is complete is not normal. If water remains in the bottom of the tub, dishwasher may not be draining properly. (See Dishwasher Does Not Drain Properly.)

Vapor at Vent

- Water vapor escapes from the vent when the dishwasher is operating. This is normal.

Dishwasher Won't Run

- Check to see if circuit breaker is tripped or if a fuse is blown.
- Make sure water supply is turned on.
- Check to see if cycle is set correctly. (See Operating Instructions.)
- Make sure door is closed and latched.

Dishwasher Does Not Drain Properly

- If unit is hooked up to a food waste disposer, make sure the disposer is empty.
- Check to see if the knockout plug has been removed from inside the food waste disposer inlet.
- Check to see if drain hose is kinked.
- Make sure cycle is complete, not in a pause.

Detergent Left in Cups

- Detergent may be old. Discard and use fresh detergent.
- Be sure water action can reach the dispenser.
- Check to see if cycle has been completed.
- Make sure items do not prevent the detergent dispenser from opening.

Dishwasher Has an Odor

- Soiled dishes left in dishwasher too long can create an odor. Rinse dishes if not running dishwasher at once.
- There will be a "new" smell when first installed. This is normal.
- Check to see if unit is draining properly. (See Dishwasher Does Not Drain Properly.)

Stains on Tub Interior

- Washing large amounts of dishware with tomato based soil can cause a pink/orange appearance. This will not affect performance and will gradually fade over time. Pre-rinsing will reduce the chance of staining. Using HEAT DRY OFF option will lessen staining.

Removing Spots and Film

Hard water can cause lime deposit buildup on the interior of the dishwasher. Dishes and glasses may also get spots and film for a number of reasons. (See Glassware/Flatware Spotted or Cloudy section.) To remove buildup, spots and film, clean using the following instructions:

1. Load clean dishes and glasses in normal manner. Do not load any metal utensils or silverware.
2. Do not add detergent.
3. Turn dial to NORMAL WASH. Close and latch door to start.
4. Allow dishwasher to run for 40 minutes to reach the main wash portion of cycle.
5. Unlatch and open door and pour 2 cups of white vinegar into the bottom of dishwasher.
6. Close and latch door and allow the cycle to finish.

Note: If these conditions persist, a home water softener should be considered.

Tabla de Materias

Garantía	14
Instrucciones de Seguridad	15
Instrucciones de Funcionamiento	16
Preparación y Carga de la Vajilla	17-18
Distribuidor y Detergentes del Lavavajillas	19-20
Factores que Afectan el Rendimiento	20
Cuidado y Limpieza	21
Soluciones a Problemas Comunes del Lavado de Vajillas	22-23
Servicio	24

Contratos de Protección

Enhorabuena por haber hecho una compra inteligente. Su nuevo producto Kenmore® está diseñado y fabricado para brindarle años de funcionamiento fiable. Pero, como cualquier producto, puede necesitar mantenimiento preventivo o reparaciones periódicas. Es por eso que tener un Acuerdo maestro de protección podría ahorrarle dinero y molestias.

El Acuerdo maestro de protección también sirve para prolongar la durabilidad de su nuevo producto. El acuerdo* incluye lo siguiente:

- ✓ **Piezas y mano de obra** necesarias para contribuir a mantener el funcionamiento adecuado de los productos **utilizados en condiciones normales de uso**, no sólo en caso de defectos de los productos. Nuestra cobertura va **mucho más allá que la garantía del producto**. No se aplican deducibles ni exclusiones por fallas del funcionamiento: es decir, **verdadera protección**.
- ✓ **Servicio técnico por expertos (más de 10000 técnicos autorizados de Sears)**, lo cual significa que quien repare o realice el mantenimiento de su producto será un profesional de confianza.
- ✓ **Servicio técnico a escala nacional y número ilimitado de llamadas de solicitud de servicio técnico**: se puede poner en contacto con nosotros cuantas veces lo desee y cuando lo desee.

- ✓ **Garantía “sin sorpresas”**: se reemplaza el producto cubierto por el acuerdo si ocurren cuatro o más fallas del producto en un periodo de 12 meses.
- ✓ **Reemplazo del producto**: en caso de que no se pueda reparar el producto cubierto por el acuerdo.
- ✓ **Revisión anual preventiva de mantenimiento del producto**: puede solicitarla en cualquier momento, sin costo alguno.
- ✓ **Rápida asistencia telefónica, la cual denominamos Solución rápida**: es decir, asistencia telefónica a través de cualquiera de nuestros representantes de Sears, sobre cualquiera de nuestros productos. Piense en nosotros como en un “manual parlante del usuario”.
- ✓ **Protección contra fallas eléctricas**, contra daños debidos a fluctuaciones de la corriente eléctrica.
- ✓ **\$250 al año para cubrir cualquier posible deterioro de alimentos** que haya tenido que desechar debido a una falla mecánica de cualquiera de nuestros refrigeradores o congeladores cubiertos por este acuerdo.
- ✓ **Devolución de gastos de alquiler de electrodomésticos** si la reparación de su producto asegurado toma más que el tiempo prometido.
- ✓ **10% de descuento** aplicable tanto a los costos del servicio de reparación, como de las piezas instaladas relacionadas que no hayan quedado cubiertos por este acuerdo.

Una vez que haya realizado el pago de este acuerdo, bastará una simple llamada telefónica para concertar una visita de servicio. Puede llamar a cualquier hora del día o de la noche, o bien concertar una visita de servicio por Internet.

La adquisición del Acuerdo maestro de protección es una inversión exenta de riesgos. Si por cualquier motivo decide cancelar dicho acuerdo durante el periodo de garantía del producto, le haremos un reintegro total del valor. O bien un importe proporcional si cancela el acuerdo en cualquier otro momento posterior al vencimiento del periodo de garantía del producto. ¡Adquiera hoy mismo su Acuerdo maestro de protección!

Algunas limitaciones y exclusiones podrían aplicarse. Para solicitar precios e información adicional, llame al 1-800-827-6655 (en los EE.UU.).

* **La cobertura en Canadá varía en el caso de algunos artículos. Para obtener detalles completos al respecto, llame al 1-800-361-6665 de Sears de Canadá.**

Servicio de instalación de Sears

Para solicitar la instalación por profesionales de Sears de electrodomésticos, abridores de puertas de garaje, calentadores de agua y otros artículos de uso prioritario en el hogar, llame al **1-800-4-MY-HOME** en los EE.UU. o Canadá.

GARANTÍA DE ELECTRODOMÉSTICOS KENMORE

Garantía limitada de un año

Si esta cubierta, cuando se instala y se utiliza de acuerdo con las instrucciones de instalación y la guía de uso y cuidado, falla debido a defectos de material o mano de obra durante el primer año a partir de la fecha de compra, llame al 1-800-4-MY-HOME® para hacer arreglos para que sea reparada (o reemplazada si no se puede reparar) gratuitamente.

Si este electrodoméstico se usa para fines que no sean privados de familia, esta garantía es válida únicamente por 90 días a partir de la fecha de compra.

Esta garantía cubre únicamente los defectos de material y mano de obra. Sears NO pagará lo siguiente:

1. Artículos desechables que se desgasten por uso normal, incluyendo sin limitarse a los filtros, correas, bombillas y bolsas.
2. Técnicos de servicio que instruyan al usuario en la manera adecuada de instalar, utilizar o mantener el producto.
3. Técnicos de servicio que limpien o realicen mantenimiento al producto.
4. Daños o fallas de este producto si el mismo no fue instalado, utilizado o mantenido de acuerdo con todas las instrucciones proporcionadas con el producto.
5. Daños o fallas de este producto por accidente, abuso o mal uso del producto o uso para fines para los cuales no fue diseñado.
6. Daños o fallas de este producto por el uso de detergentes, limpiadores, químicos o utensilios que no sean los recomendados en todas las instrucciones proporcionadas con el producto.
7. Daños o fallas de piezas o sistemas por modificaciones al producto que no hayan sido autorizadas.

Renuncia de responsabilidades de garantías implícitas; limitación de acciones legales

La única y exclusiva opción del cliente bajo esta garantía limitada es la reparación del producto según se indica. Las garantías implícitas, incluyendo las garantías de comercialización o aptitud del producto para un propósito específico, están limitados a un año o al período mínimo permitido por ley. Sears no será responsable por daños consecuentes o incidentales. Algunos estados y provincias no permiten la exclusión o limitación de daños incidentales o consecuentes o las limitaciones de duración de las garantías implícitas de comercialización o aptitud, por lo que estas exclusiones o limitaciones pueden no aplicarse en su caso.

Esta garantía se aplica únicamente mientras este electrodoméstico esté en uso dentro de los Estados Unidos o Canadá.

Esta garantía le otorga derechos legales específicos. Usted puede tener además otros derechos que varían de un estado a otro.

**Sears, Roebuck and Co.,
Dept. 817WA, Hoffman Estates, IL 60179**

**Sears Canada Inc.
Toronto, Ontario, Canada M5B 2B8**

En el espacio a continuación, anote su número de modelo completo, el número de serie y la fecha de compra. Esta información puede encontrarse en la etiqueta del número de modelo y serie que se encuentra en el lugar que se muestra en la sección de Características del Lavavajillas de este libro. Tenga esta información a mano para que le ayude a obtener ayuda y servicio rápidamente cuando llame a Sears con respecto a su aparato doméstico.

Número de Modelo: 587. _____

Número de Serie: _____

Fecha de Compra: _____

Guarde estas instrucciones y su recibo de compra para referencia futura.

ESPAÑOL

Instrucciones Importantes de Seguridad

⚠ ADVERTENCIA

Este símbolo le advierte sobre tales peligros como lesiones personales, quemaduras, incendio y choque eléctrico.

⚠ ADVERTENCIA

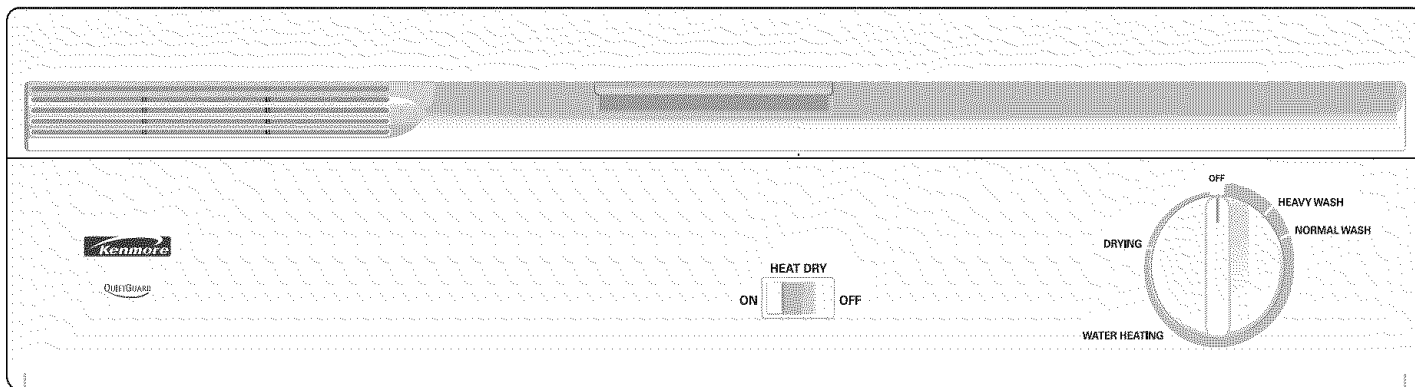
A fin de reducir el peligro de incendio, choque eléctrico o lesión cuando usa su lavavajillas, siga las precauciones básicas, incluyendo las siguientes:

- Lea todas las instrucciones antes de usar su lavavajillas.
- Use su lavavajillas solamente como se indica en esta Guía de Uso y Cuidado.
- Las instrucciones incluidas en esta Guía de Uso y Cuidado, no pueden cubrir todas las situaciones o condiciones posibles que puedan presentarse. Por lo tanto, se debe usar sentido común y tener cuidado cuando se instala, se hace funcionar y se repara cualquier artefacto.
- EL LAVAVAJILLAS DEBE SER PUESTO A TIERRA. Lea los detalles en las Instrucciones de Instalación.
- Este lavavajillas ha sido diseñado para funcionar con la corriente normal del hogar (120 V, 60 Hz). Use un circuito equipado con un disyuntor o fusible de 15 amperios. Use un fusible de 20 amperios si el lavavajillas está conectado a un triturador de alimentos.
- No haga funcionar el lavavajillas a menos que todos los paneles estén en sus lugares.
- Para evitar que alguien quede encerrado y/o se afixe, saque la puerta o el mecanismo del pestillo de la puerta de cualquier lavavajillas que sea descartado o que no esté en uso.
- Mantenga a los niños y a los pequeños de corta edad alejados del lavavajillas cuando esté funcionando.
- No permita que los niños abusen, se sienten, se paren o jueguen en las puertas o canastillas de un lavavajillas.
- Use solamente detergentes y agentes de enjuague recomendados para ser usados en lavavajillas.
- Guarde el detergente del lavavajillas y los agentes de enjuague fuera del alcance de los niños.
- No lave artículos de plástico a menos que estén marcados "resistente al lavavajillas" o algo parecido. Si no están marcados, consulte las recomendaciones con el fabricante. Los artículos que no pueden lavarse en el lavavajillas pueden derretirse y crear un peligro potencial de incendio.
- Si el lavavajillas se desagua a un triturador de alimentos, asegúrese de que el triturador esté completamente vacío antes de hacer funcionar el lavavajillas.
- Desconecte la corriente eléctrica al lavavajillas antes del mantenimiento o reparaciones.
- Las reparaciones deben ser efectuadas por un técnico calificado.
- No manipule indebidamente los controles.
- No toque el elemento calefactor durante o inmediatamente después del uso.
- Cuando coloque los artículos que van a ser lavados:
 - Ponga los artículos afilados y los cuchillos de modo que no vayan a dañar el sello de la puerta o de la tina.
 - Coloque los artículos afilados y los cuchillos con los mangos hacia arriba a fin de reducir el riesgo de sufrir cortaduras.
- Bajo ciertas condiciones se puede producir gas de hidrógeno en un sistema de agua caliente que no ha sido usado durante 2 o más semanas. EL GAS DE HIDROGENO ES EXPLOSIVO. Si el sistema de agua caliente no ha sido usado durante tal período de tiempo, antes de usar el lavavajillas abra todas las llaves del agua caliente y deje correr el agua en cada una de ellas durante varios minutos. Esto hará salir cualquier gas de hidrógeno que se haya acumulado. EL GAS DE HIDROGENO ES INFLAMABLE. No fume ni use una llama abierta durante este tiempo.
- No guarde ni use materiales combustibles, gasolina u otros vapores o líquidos inflamables en la cercanía de éste o de cualquier otro electrodoméstico.

ESPAÑOL

**CONSERVE ESTAS
INSTRUCCIONES**

Instrucciones de Funcionamiento



Cómo usar el lavavajillas

1. Cargue el lavavajillas (Ver Preparación y Carga de la Vajilla).
2. Agregue el detergente (Ver Distribuidor y Detergentes de Lavavajillas).
3. Agregue el agente de enjuague, si es necesario (Ver Agente de Enjuague).
4. Seleccione las OPCIONES de energía deseadas. (Ver Opciones de Energía).
5. Gire la perilla a la derecha para seleccionar el ciclo (Ver la Tabla de Ciclos).
6. Deje correr el agua caliente de la llave más cercana al lavavajillas hasta que salga caliente. Cierre la llave del agua.
7. Para poner en funcionamiento, cierre la puerta.

Tabla de Ciclos					
Ciclos	Descripción	Para Seleccionar el Ciclo	Agua (aprox.)	Tiempo (aprox.)	Lavados/Enjuagues
Lavado pesado (Heavy Wash)	Para ollas, sartenes, caserolas y servicio de mesa con restos de alimentos secos o pegados.	<ul style="list-style-type: none"> • Seleccione las OPCIONES (OPTIONS) deseadas. • Gire la perilla a HEAVY WASH. 	8,4 gal. 31,8 litros	1 3/4 hrs.*	2 lavados 5 enjuagues
Lavado normal (Normal Wash)	Para platos y cubiertos con suciedad normal.	<ul style="list-style-type: none"> • Seleccione las OPCIONES (OPTIONS) deseadas. • Gire la perilla a NORMAL WASH. 	7,2 gal. 27,3 litros	1 1/2 hrs.*	2 lavados 4 enjuagues

* Incluye tiempo de secado.

Opciones de Ahorro de Energía

Opción Secado en Caliente (Heat Dry On)

La opción de Secado con Calor, en combinación con el ayudante de enjuague, le proporciona excelentes resultados de secado. La energía que esta función consume le cuesta pocos centavos por cada ciclo. Usted puede desactivar la opción de Secado con Calor. Sin embargo, algunos artículos de la carga del lavavajillas no quedarán secos al final del ciclo.

Con cualquiera de las opciones, se puede observar que sale vapor de agua del respiradero durante la porción de secado del ciclo.

La opción de secado puede cambiarse en cualquier momento durante el ciclo y afecta solamente al período de secado.

El lavaplatos de Delay (Heat Dry Delay)

Esta de la calefacción de agua se equipa de un termóstato para asegurarse de que el agua está calentada a la temperatura apropiada para entregar la limpieza opcional y resultados de sequía. El knob/timer en el lavaplatos puede detenerse brevemente en aproximadamente la posición de los 7pm. El lavaplatos "no se pega" aquí, sino está calentando simplemente el agua a la temperatura apropiada antes de avanzar al ciclo siguiente. Si el lavaplatos lleva a cabo esta posición respecto a cada ciclo, entonces la temperatura del agua entrante (de la casa) quizá baja. Una temperatura del agua mínima de 120F se recomienda para evitar la calefacción de agua retrasa.

ESPAÑOL

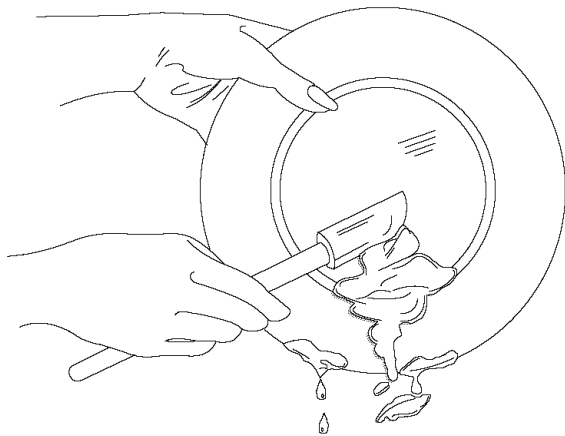
Preparación y Carga de la Vajilla

Preparación de los platos

Quite los pedazos grandes de comida, huesos, mondadientes, huesos de frutas, etc. El sistema continuo de lavado filtrado sacará el resto de las partículas de comida. Los restos de alimentos quemados deben ser desprendidos antes de cargar el lavavajillas. Vacíe los líquidos de los vasos y tazas.

Los alimentos tales como la mostaza, mayonesa, vinagre, jugo de limón y los productos a base de tomate pueden descolorar el acero inoxidable y los plásticos si se dejan sin lavar durante un período de tiempo prolongado. A menos que el lavavajillas vaya a ser puesto en funcionamiento inmediatamente, es mejor enjuagar estos restos de alimentos.

- Cargue las canastillas de modo que los artículos grandes no interfieran con la apertura del distribuidor automático de detergente.
- Consulte las recomendaciones del fabricante antes de lavar artículos sin indicaciones.
- Si el lavavajillas se desagua hacia un triturador de alimentos, **asegúrese de que el triturador esté completamente vacío antes de poner en funcionamiento el lavavajillas.**



Carga de la Canastilla Superior

La canastilla superior está diseñada para las tazas, vasos, platos pequeños, platillos y tazones.

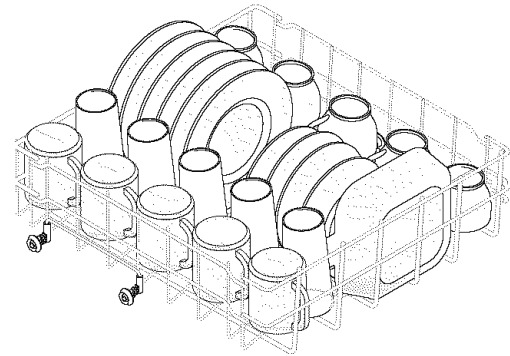
Cargue los vasos en la canastilla superior. Se pueden dañar si se colocan en la canastilla inferior.

Coloque los artículos de plástico en la canastilla superior solamente. Se pueden derretir si se colocan en la canastilla inferior.

Coloque los artículos con los extremos abiertos dirigidos hacia abajo para mejor limpieza y desagüe.

Los artículos delicados pueden dañarse si chocan entre sí cuando el lavavajillas está funcionando.

Los cuchillos y otros utensilios de mangos largos pueden colocarse en la canastilla superior.

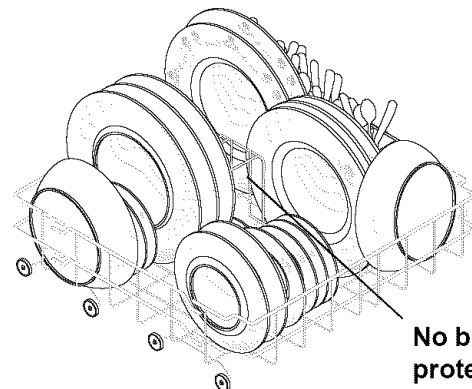


Carga de la Canastilla Inferior

Coloque los platos y fuentes de modo que no se toquen.

Coloque los bols, caserolas y sartenes con la superficie sucia hacia abajo o hacia el centro. Inclínelos para que se desagüen mejor.

Asegúrese de que los mangos de los sartenes no sobresalgan a través del fondo de la canastilla y obstruyan la rotación del brazo rociador.



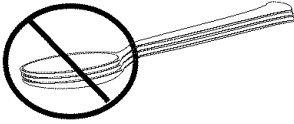
No bloquee el protector de la torre

ESPAÑOL

Preparación y Carga de la Vajilla (continuación)

Carga de la Canastilla de los Cubiertos

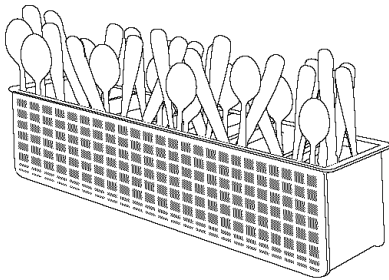
Mezcle las cucharas, tenedores y cuchillos para evitar que se adhieran los unos contra los otros. Al mezclarlos se contribuye a una mejor limpieza y desagüe.



Para seguridad, coloque los cuchillos afilados y los tenedores con los mangos hacia arriba.

Asegúrese de que ninguno de los artículos sobresalga por la parte inferior de la canastilla o rejilla de modo que obstruya el brazo rociador.

No mezcle los cubiertos de plata con los de acero inoxidable a fin de evitar que se dañe el acabado de la plata.



Distribuidor y Detergentes del Lavavajillas

Llenado del Distribuidor de Detergente

El distribuidor de detergente tiene una taza cubierta y una descubierta. El detergente en la taza descubierta cae dentro del lavavajillas cuando la puerta se cierra. La taza cubierta se abre automáticamente para soltar el detergente.

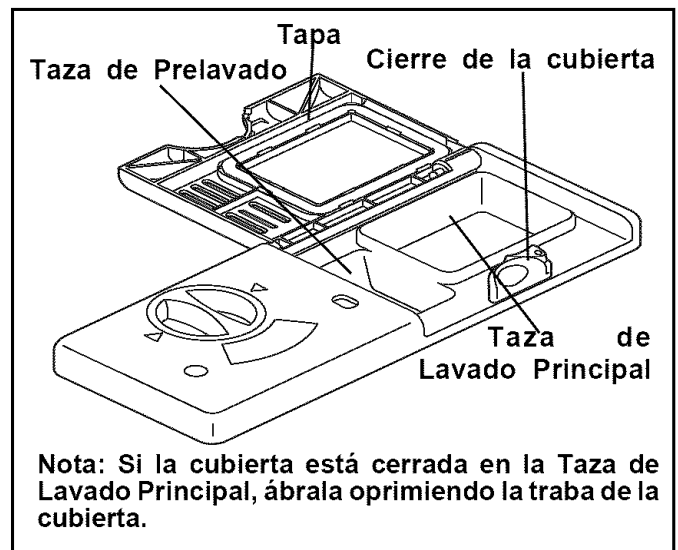
- Sólo use detergente para lavavajillas automáticos fresco. Otros detergentes producirán demasiada espuma.
- Cuando use tabletas de detergente para lavavajillas, coloque una tableta en el distribuidor principal y cierre la tapa.
- Agregue el detergente justo antes de comenzar el ciclo.
- Guarde el detergente en un lugar fresco y seco. El detergente húmedo o aterronado no se disolverá debidamente.

PRECAUCIÓN

El uso de detergentes industriales puede dañar el serpentín de calentamiento y otras piezas del lavavajillas, lo que causaría daños a la unidad y a la propiedad que lo rodea. Sólo use detergentes para lavavajillas automáticos para el hogar.

Cantidad de Detergente Necesaria

La cantidad de detergente que debe usar depende de la dureza del agua. La dureza del agua se mide en granos por galón. Usar muy poco detergente puede resultar en una limpieza deficiente y en que el agua dura produzca una película o manchas en la vajilla. Usar demasiado detergente en agua blanda puede causar una película permanente llamada aguafuerte. Su empresa de agua local, compañía de ablandador de agua o agente de extensión del condado puede decirle cuál es la dureza del agua en su área.



Guía de Uso del Detergente

Ciclo	Agua Blanda (0-3 granos)	Agua Semidura (4-8 granos)	Agua Dura (9-12 granos)	Agua Muy Dura* (más de 12 granos)
Lavado pesado (Heavy Wash) o Lavado normal (Normal Wash)	2 cucharaditas (ambas tazas - ¼ de la capacidad)	5 cucharaditas (ambas tazas - llenar hasta la línea sobre "Regular")	8 cucharaditas (Ambas tazas - completamente llenas)	Ambas Tazas - Completamente Llenas (se recomienda usar suavizador de agua)

***Nota:** Para agua muy dura, puede que el detergente solo no sea suficiente. Se recomienda agregar un suavizador de agua para mejorar la calidad del agua y el rendimiento del lavado. Trate de agregar más detergente al comienzo de la porción de lavado principal del ciclo. Como regla general, use 1 cucharadita de té por cada grano sobre los 12 granos. Desbloquee la puerta, ábrala lentamente y agregue detergente en el fondo de la tina. Cierre bien la puerta y la lavadora continuará con el ciclo.

ESPAÑOL

Distribuidor y Detergentes del Lavavajillas (continuación)

Agente de Enjuague

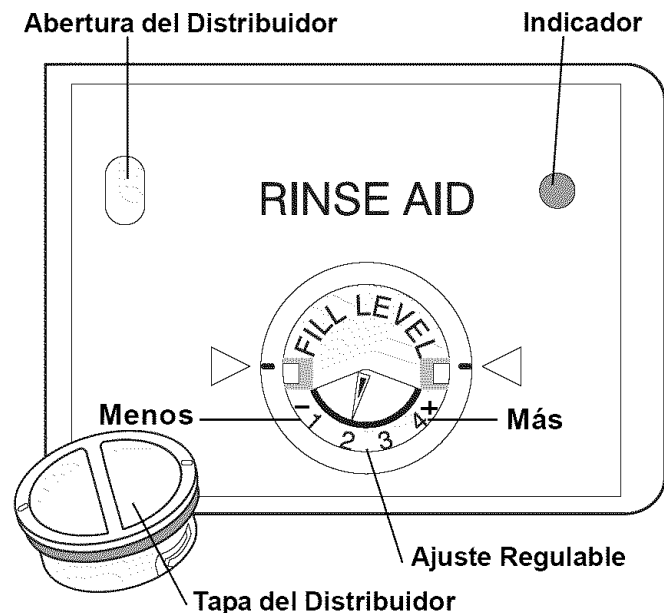
El agente de enjuague (Rinse Aid) mejora el secado y reduce la formación de manchas de agua y de película. El agua se escurre en capas y no forma gotas que se adhieren y dejan manchas.

Un dispensador, situado junto a la taza de detergente, libera automáticamente una cantidad medida del agente de enjuague durante el último enjuague. Si existen problemas de manchas y secado defectuoso, aumente la cantidad de agente de enjuague dispensado, girando la perilla hacia un número más alto. La perilla está localizada debajo de la tapa del dispensador. El indicador se pondrá oscuro cuando está lleno y claro cuando ha llegado el momento de llenarlo de nuevo.

Para agregar agente líquido de enjuague, gire la tapa del dispensador un cuarto de vuelta en sentido contrario a las manecillas del reloj y sáquelo. Vierta el agente de enjuague líquido hasta que llegue al nivel indicado. Ponga la tapa de nuevo.

No exceda la marca de llenado porque puede causar demasiada espuma. Limpie cualquier derrame con un trapo húmedo.

Este dispensador tiene capacidad para desde 35 hasta 140 lavadas, dependiendo de la acción en que está puesto.



Factores que Afectan el Rendimiento

Presión del Agua

La tubería del agua caliente hacia el lavavajillas debe proporcionar una presión de agua entre 20 y 120 lbs/pulg.².

Se puede producir agua de baja presión cuando se está usando la lavadora de ropa o la ducha. Espere hasta que se reduzca el uso del agua antes de poner en funcionamiento el lavavajillas.

Temperatura del Agua

Se necesita agua caliente para obtener una mejor limpieza y secado. La temperatura del agua que entra al lavavajillas debe ser por lo menos 120°F (49°C) para lograr resultados satisfactorios.

Para verificar la temperatura del agua que entra al lavavajillas:

- Abra la llave del agua caliente que esté más cerca del lavavajillas durante varios minutos para hacer salir el agua fría de las tuberías.
- Coloque un termómetro para carne o repostería en el agua de la llave para verificar la temperatura.
- Si la temperatura es inferior a 120°F (49°C), pida a un técnico calificado que eleve el ajuste del termostato del agua caliente.

Importante: Antes de comenzar un ciclo, abra el grifo y deje correr el agua caliente para hacer salir el agua fría de la tubería.

La opción de Secado con Calor, en combinación con el ayudante de enjuague, le proporciona excelentes resultados de secado. La energía que esta función consume le cuesta pocos centavos por cada ciclo. Usted puede desactivar la opción de Secado con Calor. Sin embargo, algunos artículos de la carga del lavavajillas no quedarán secos al final del ciclo.

Cuidado y Limpieza

⚠ ADVERTENCIA



Peligro de Quemaduras

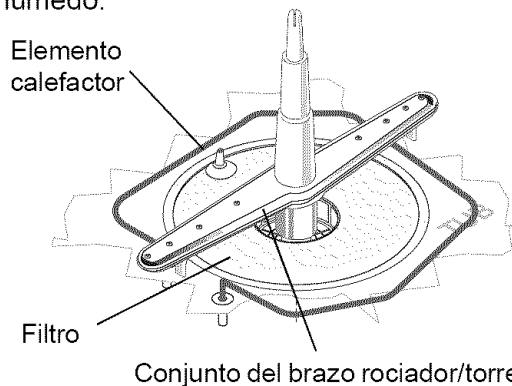
Deje que el elemento calefactor se enfríe antes de limpiar el interior. De lo contrario, puede sufrir quemaduras.

Limpieza Exterior –

Ocasionalmente limpie con un detergente suave no abrasivo y agua. Enjuague y seque.

Modelos con puerta de acero inoxidable—Limpie el acero inoxidable con agua jabonosa caliente y un paño. Enjuague con agua limpia y un paño. No use limpiadores ásperos. Sólo use limpiadores de cocina diseñados especialmente para limpiar acero inoxidable.

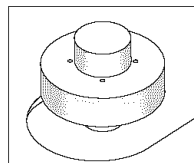
Limpieza Interior – El interior del lavavajillas, incluyendo el filtro, se limpia por sí solo con el uso normal. Si es necesario, limpie alrededor del área del empaque de la tina con un paño húmedo.



Nota: El agua dura puede causar acumulación de depósitos de cal en el interior del lavavajillas. Vea en la sección "Cómo quitar las manchas y películas" las instrucciones de limpieza.

Protector contra Sobrellenado –

Evita que el lavavajillas se llene demasiado y se encuentra situado en la esquina delantera izquierda de la tina.



- Limpie ocasionalmente con limpiador de uso doméstico que contenga vinagre o cloro para disolver cualquier acumulación.
- El protector contra sobrellenado debe moverse libremente hacia arriba o hacia abajo una pulgada aproximadamente. Si no se mueve, levántelo y limpie debajo.

Cuidado del Tubo de Ventilación del Desagüe

Si se ha instalado un tubo de ventilación del desagüe para su lavavajillas empotrado, asegúrese de que esté limpio para que el lavavajillas pueda desaguar en forma debida. El tubo de ventilación a menudo se instala en el mesón y puede inspeccionarse sacando la tapa. Este dispositivo no es parte de su lavavajillas y no está cubierto por la garantía.

⚠ ATENCION

Peligro de Daños Materiales

Las temperaturas inferiores al punto de congelación pueden causar la ruptura de las tuberías del agua. Asegúrese de que todas las tuberías de suministro hacia el lavavajillas y las tuberías de circulación dentro del lavavajillas estén protegidas.

De lo contrario se pueden producir daños materiales.

Preparación para el Invierno

Un lavavajillas que es dejado en un lugar sin calefacción debe ser protegido contra el congelamiento. Pida a un técnico calificado que haga lo siguiente:

Desconexión del servicio:

1. Desconecte la energía eléctrica hacia el lavavajillas desde la fuente de suministro, sacando los fusibles o disparando el disyuntor.
2. Cierre el suministro del agua.
3. Coloque un recipiente debajo de la válvula de admisión. Desconecte la tubería del agua desde la válvula de admisión y hágala desaguar en el recipiente.
4. Desconecte la tubería de desagüe de la bomba y desagüe el agua dentro del recipiente.

Nota: Vea más detalles en las Instrucciones de Instalación.

Reconexión del servicio:

1. Vuelva a conectar el agua, desagüe y el suministro de energía eléctrica.
2. Abra el agua y el suministro de energía eléctrica.
3. Llene los dos recipientes de detergente y ponga a funcionar el lavavajillas en el ciclo NORMAL.
4. Revise las conexiones para verificar que no tengan fugas.

Nota: Vea más detalles en las Instrucciones de Instalación.

Soluciones a Problemas Comunes del Lavado de Vajillas

Antes de llamar al servicio de reparaciones, revise esta lista. Le ahorrará tiempo y dinero. Esta lista incluye los problemas más comunes que no son causados por defectos de fabricación o de materiales de su lavavajillas.

Restos de comida adheridos en los platos

- Seleccione un ciclo de lavado de tiempo más prolongado.
- Verifique si la canastilla ha sido cargada de manera correcta -- evite que los artículos queden unos dentro de otros.
- La presión del agua del hogar puede ser demasiado baja -- debe ser de 20 a 120 lbs/pulg.².
- Verifique la temperatura del agua que entra. Debe ser por lo menos de 120°F (49°C). (Vea la sección Factores que Afectan el Rendimiento.)
- Verifique la dureza del agua. Para agua extremadamente dura, puede que sea necesario instalar un suavizador de agua. (Vea la Tabla de Detergentes.)
- Use detergente fresco.
- Asegúrese de que la torre en la canastilla inferior no esté bloqueada.
- Verifique si hay artículos que estén bloqueando el brazo rociador e impidiendo que gire.

Los platos quedan mojados

- Seleccione la opción HEAT DRY ON (SECADO EN CALIENTE).
- Asegúrese que el dispensador de agente de enjuague está lleno.
- Aumente la cantidad de agente de enjuague. (Vea la sección Agente de Enjuague.)
- Verifique la temperatura del agua que entra. Debe ser por lo menos de 120°F (49°C).
- Verifique si los platos han quedado distribuidos de manera correcta -- evite que los artículos queden unos dentro de otros.
- Puede que sea necesario secar con un paño los artículos de plástico.
- Las tazas con fondo cóncavo acumularán agua.

Platos picados

- Evite cargar demasiado el lavavajillas o cargarlo de manera incorrecta. (Vea la sección Preparación y Carga de la Vajilla.)
- Coloque los artículos delicados en la canastilla superior.
- Coloque los vasos firmemente asegurados contra las espigas y no sobre ellas.
- Coloque los artículos de modo que queden seguros a fin de que no vibren cuando se mueven las canastillas hacia adentro y hacia afuera. Mueva las canastillas hacia adentro y hacia afuera lentamente.
- Asegúrese de que los vasos altos y las copas de pie alto no vayan a tocar la parte superior de la tina cuando se empuja la canastilla hacia adentro.
- La loza antigua y el cristal deben ser lavados a mano.

Vasos/cubiertos manchados u opacos

- Verifique la dureza del agua. Para agua extremadamente dura, puede que sea necesario instalar un suavizador de agua. (Vea la Tabla de Detergentes.)
- La temperatura del agua puede ser baja. Evite temperaturas demasiado bajas o demasiado altas. (Vea Factores que Afectan el Rendimiento.)
- Evite cargar demasiado el lavavajillas o cargarlo de manera incorrecta. (Vea la sección Preparación y Carga de la Vajilla.)
- Use detergente fresco. El detergente antiguo es ineficaz.
- Asegúrese de que se esté usando la cantidad adecuada de detergente. Además verifique el nivel de fosfato. (Vea Llenado del Distribuidor de Detergente.)
- La presión del agua del hogar puede ser demasiado baja -- debe ser de 20 a 120 lbs/pulg.².

Platos manchados o descoloridos

- El té y el café pueden manchar las tazas. Saque las manchas a mano lavando los artículos en una solución de 1/2 taza (120 ml) de cloro y un cuarto de galón (1 L) de agua tibia. Enjuagar bien.
- Los depósitos de hierro en el agua pueden causar una película amarilla o café. Este problema puede corregirse instalando un filtro especial en la tubería de suministro del agua. (Vea la sección Cómo quitar las manchas y películas.)
- Los utensilios de aluminio pueden dejar marcas grises/negras cuando rozan otros artículos. Colóquelos de manera apropiada.
- Ciertos alimentos muy ácidos pueden causar descoloración del acero inoxidable y plásticos si se dejan sucios por un período prolongado. Enjuáguelos a mano si no los va a lavar en el lavavajillas inmediatamente.
- Si mezcla utensilios de acero inoxidable y de plata en la canastilla de los cubiertos puede dañar las hojas de acero inoxidable. Evite mezclar artículos de acero inoxidable y plata.

Corrosión superficial

- Si se usa demasiado detergente en el agua suave o suavizada evitará que se pueda quitar esta película.
- Regule la cantidad de detergente de acuerdo con la dureza del agua. (Consulte la Tabla de Detergentes.)
- Baje la temperatura del agua.
- Use la opción HEAT DRY OFF (SECADO EN FRIO).

Soluciones a Problemas Comunes del Lavado de Vajillas (continuación)

Restos de detergente en los compartimientos del distribuidor

- El detergente puede ser muy antiguo. Descártelo y use detergente fresco.
- Verifique si el agua puede llegar hasta el distribuidor de detergente.
- Verifique si el ciclo se ha completado.
- Asegúrese de que no haya artículos que impidan que se abra el compartimiento del detergente.

Fugas en el lavavajillas

- Use solamente detergente fresco especial para lavavajillas automáticos. Mida cuidadosamente el detergente. Pruebe una marca diferente.
- Si se derrama agente de enjuague puede causar espuma y producir desbordamiento. Limpie cualquier derrame con un paño húmedo.
- Verifique que el lavavajillas esté nivelado. (Vea las Instrucciones de Instalación.)

Sonidos normales que puede oír

- Los sonidos normales que puede escuchar son el agua al llenar el lavavajillas, la circulación del agua y los ruidos del motor.

Agua en el fondo de la tina

- No es normal que quede agua en el fondo de la tina después que se ha completado el ciclo. Si esto sucede significa que el lavavajillas no está desaguando en forma debida. (Vea El lavavajillas no desagua bien.)

Vapor en el respiradero

- El vapor escapa a través del respiradero cuando el lavavajillas está funcionando. Esto es normal.

El lavavajillas no funciona

- Verifique si el disyuntor se ha disparado o si se ha quemado un fusible.
- Asegúrese de que el suministro del agua esté abierto.
- Asegúrese de que el ciclo seleccionado es correcto. (Vea la sección Instrucciones de Funcionamiento.)
- Asegúrese de que la puerta esté bien cerrada.

El lavavajillas no desagua bien

- Si el lavavajillas está conectado a un triturador de alimentos, verifique si este último está vacío.
- Verifique si se ha quitado el tapón removible del interior de la admisión del triturador de alimentos.
- Verifique si la manguera de desagüe está torcida.
- Asegúrese de que el ciclo ha realmente terminado y no está en una pausa.

El lavavajillas no se llena

- ¿Está abierto el suministro del agua?
- ¿Se mueve libremente hacia arriba y hacia abajo el protector contra sobrellenado? (Vea la sección Protector contra sobrellenado.)
- El nivel máximo de agua del lavavajillas sólo alcanzará la parte inferior de los sujetadores del calentador.

Mal olor en el lavavajillas

- Los platos sucios que se dejan en el lavavajillas durante un tiempo prolongado pueden crear mal olor. Enjuague los platos si usted no intenta hacer funcionar el lavaplatos inmediatamente.
- Cuando recién se instala el lavavajillas probablemente tendrá olor a "nuevo". Esto es normal.
- Verifique si el lavavajillas está desaguando en forma debida. (Vea la sección El lavavajillas no desagua bien.)

Manchas en el interior de la tina

- Si se lavan grandes cantidades de platos que se han ensuciado con alimentos que contienen tomate aparecerán manchas rosadas/anaranjadas. Esto no afectará el rendimiento y desaparecerán con el tiempo. El enjuague preliminar reducirá la posibilidad de formación de manchas en la tina. Si usa la opción HEAT DRY OFF (SECADO EN FRIO) se disminuirán las manchas.

Cómo quitar las manchas y películas

El agua dura puede causar acumulación de depósitos de cal en el interior del lavavajillas. Los platos y vasos también pueden mancharse y formarse una película debido a diversas razones. (Vea la sección Vasos/cubiertos manchados u opacos.) Para quitar depósitos, manchas y películas, limpie de acuerdo con las siguientes instrucciones:

1. Coloque los platos y vasos de manera normal. No incluya ningún utensilio de metal ni cubiertos.
2. No agregue detergente.
3. Gire la perilla a NORMAL WASH. Cierre bien la puerta para poner en funcionamiento el lavavajillas.
4. Deje que el lavavajillas funcione durante 40 minutos hasta llegar a la parte principal del lavado del ciclo.
5. Abra la puerta y vacíe dos tazas de vinagre blanca en el fondo del lavavajillas.
6. Cierre la puerta y espere hasta que termine el ciclo.

Nota: Si este tipo de problema persiste, se debe considerar el uso de un suavizador de agua.

Get it fixed, at your home or ours!

Your Home

For repair – **in your home** – of **all** major brand appliances, lawn and garden equipment, or heating and cooling systems, **no matter who made it, no matter who sold it!**

For the replacement parts, accessories and owner's manuals that you need to do-it-yourself.

For Sears professional installation of home appliances and items like garage door openers and water heaters.

1-800-4-MY-HOME® (1-800-469-4663)

Call anytime, day or night (U.S.A. and Canada)

www.sears.com www.sears.ca

For expert home solutions advice: www.managemyhome.com

Our Home

For repair of carry-in items like vacuums, lawn equipment, and electronics, call or go on-line for the location of your nearest

Sears Parts & Repair Service Center

1-800-488-1222 (U.S.A.) **1-800-469-4663** (Canada)

Call anytime, day or night

www.sears.com www.sears.ca

To purchase a protection agreement on a product serviced by Sears:

1-800-827-6655 (U.S.A.)

1-800-361-6665 (Canada)

Para pedir servicio de reparación a domicilio, y para ordenar piezas:

1-888-SU-HOGAR®

(1-888-784-6427)

Au Canada pour service en français:

1-800-LE-FOYER^{MC}

(1-800-533-6937)

www.sears.ca

