

*Frigidaire*

Factory Parts Catalog

Product No.	FAA064N7A3
Series	MS II
Volts	115
BTU-Cooling	6000
Market	North America

 **Electrolux**

ELECTROLUX HOME PRODUCTS, INC.  
P.O. Box 212378, Augusta, GA 30917

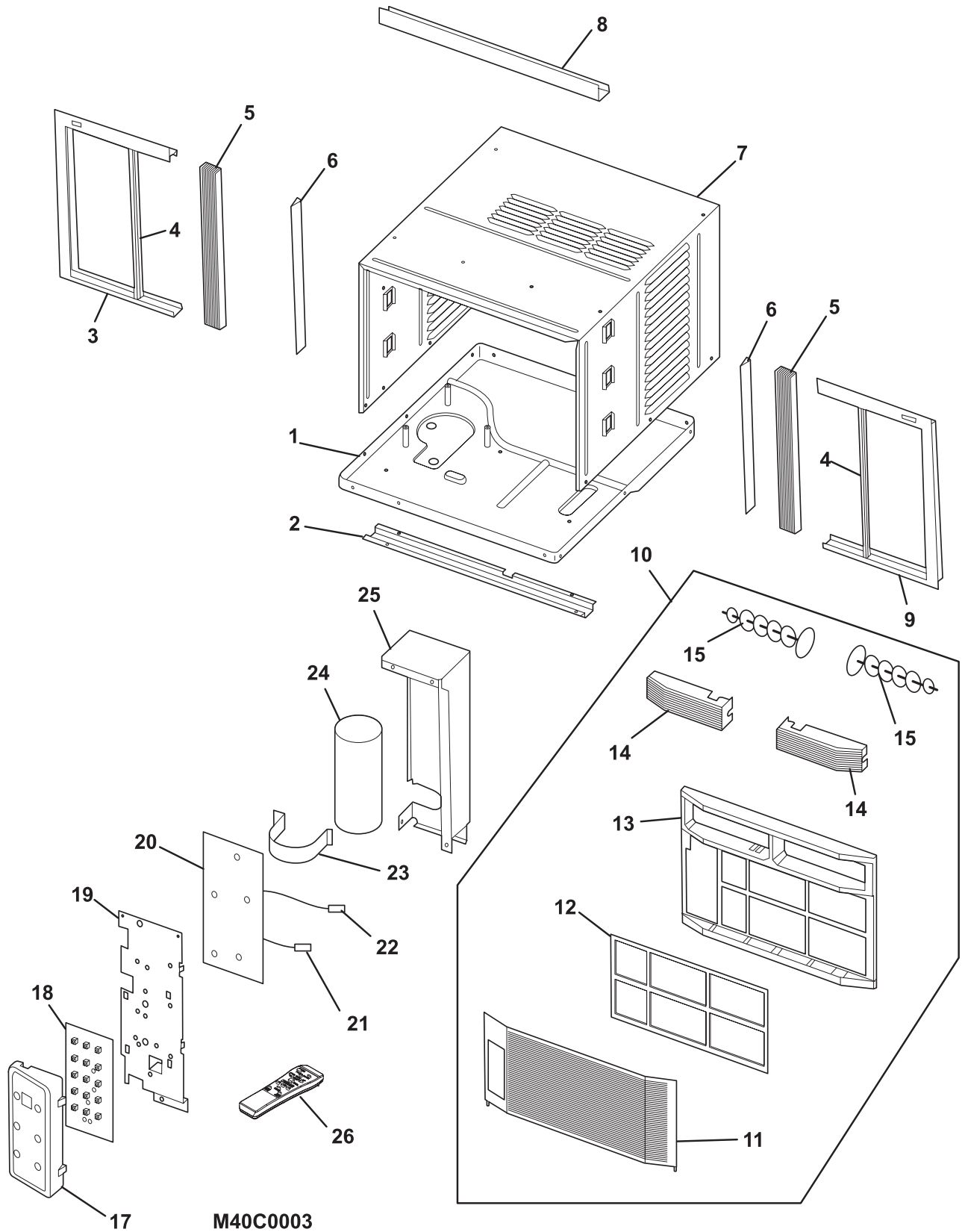
Publication No.  
**5995418174**  
04/10/08  
(EN/SERVICE/KC)  
099

**ROOM AIR  
CONDITIONER**

Model No.  
**FAA064N7A**

Copyright © 2004 Electrolux Home Products, Inc.  
All rights reserved.

### CABINET, FRONT, CONTROLS

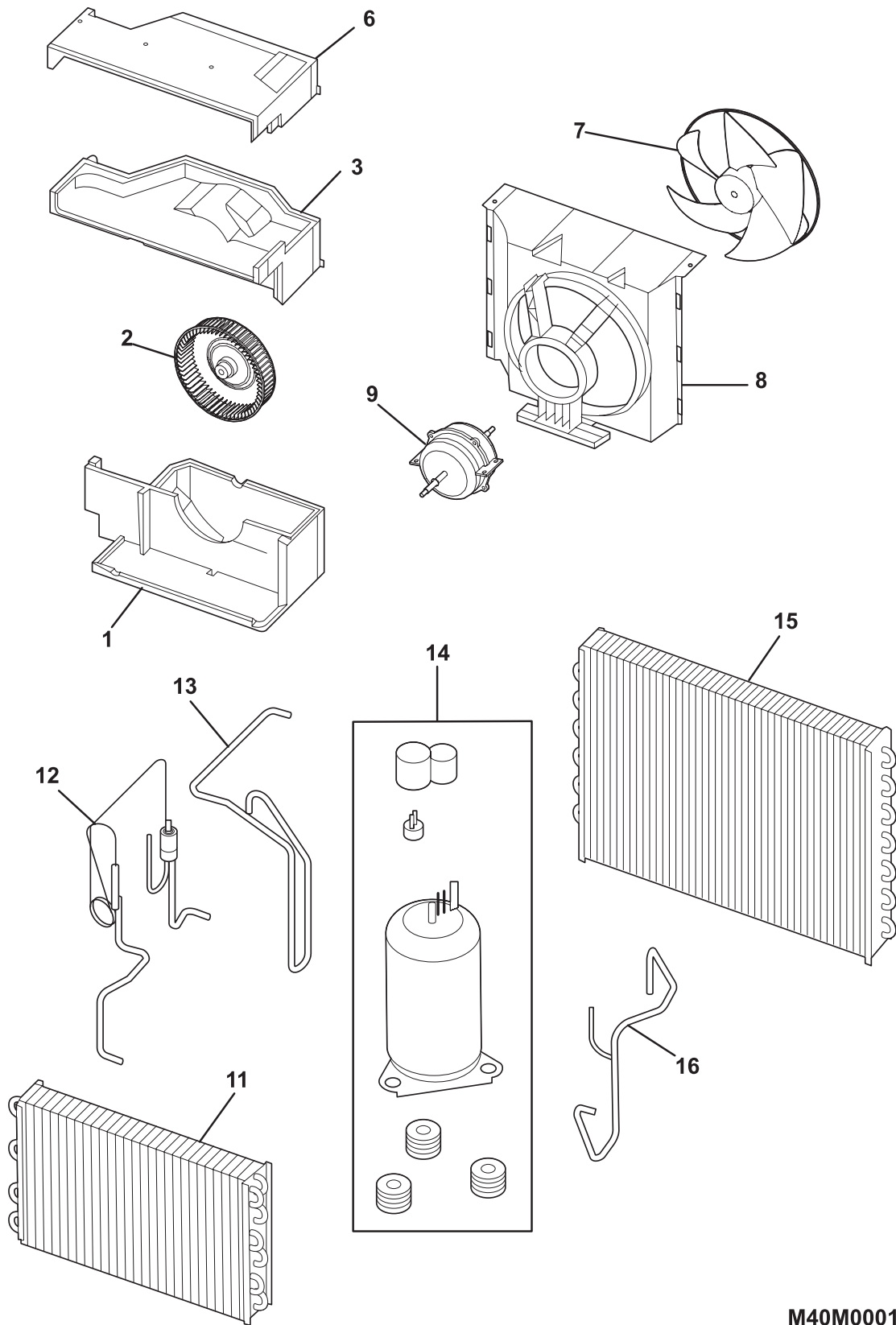


### CABINET, FRONT, CONTROLS

---

POS. NO	PART NO.	DESCRIPTION
1	5304437067	Base, unit chassis
2	5304437068	Rail, shutter track, bottom
3	5304437055	Frame, shutter panel, LH
4	5304437052	Retainer, shutter lock
5	5304437053	Shutter, accordion panel
6	5304437057	Retainer, shutter mount, cabinet sides
7	5304437071	Cabinet, wrapper/sleeve
8	5304437069	Rail, shutter track, top
9	5304437054	Frame, shutter panel, RH
10	5304437065	Front Assembly, complete panel, includes
11	5304437059	Panel, front grille, tilt-out
12	5304437062	Filter, air, plastic frame
13	5304437058	Frame, front assembly
14	5304437061	Louver, horizontal
15	5304437060	Louver, vertical
17	5304436536	Enclosure, control, pcb display
17	5304436537	Control Panel, display, electronic
18 #	5304437075	PC Board, display/input
19	5304437066	Panel, ctrl mtg board
20 #	5304436531	PC Board, control/power
21 #	5304436543	Sensor, ambient temp
22 #	5304436542	Sensor, evap temp, defrost
23	5304436530	Strap, capacitor mtg.
24 #	5304437110	Capacitor
25	5304437070	Control Box
26 #	5304436595	Remote Control, transmitter

**COOLING & AIR FLOW SYSTEMS**



**M40M0001**

**COOLING & AIR FLOW SYSTEMS**

---

POS. NO	PART NO.	DESCRIPTION
1	5304437105	Scroll, blower housing, bottom, w/drain tray
2 #	5304437891	Blower Wheel, centrifugal fan
3	5304437104	Scroll, blower housing, top
6	5304437103	Cover, blower scroll, top
7 #	5304437049	Fan Blade, propeller, axial flow
8 #	5304437056	Shroud, fan housing
9 #	5304442361	Motor, fan
11 #	5304437091	Evaporator
12 #	5304437097	Capillary Tube, assy w/strainer
13 #	5304437096	Discharge Tube
14 #	5304437084	Compressor Assy
15 #	5304437089	Condenser
16 #	5304437095	Suction Tube

**WIRING DIAGRAM**

