

Whirlpool® 30" Freestanding Gas Range

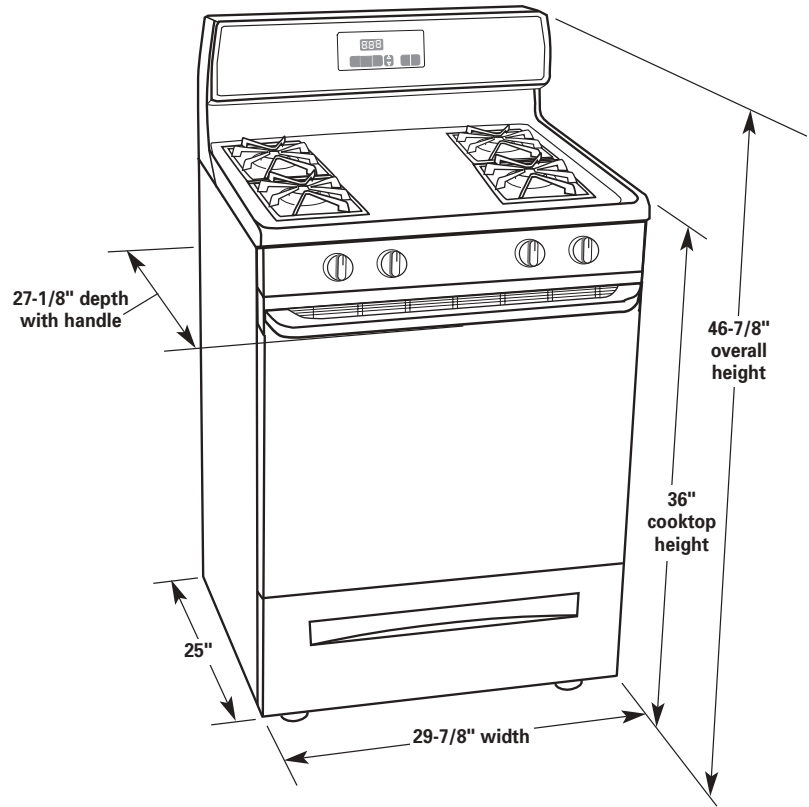
PRODUCT MODEL NUMBERS

GS395LEGB/Q/T	SF367LEGW
GS395LEHS	SF367LEHW
GS460LEKB/Q/T	SF369LEKQ/T
GS465LEKB/S/Q/T	SF377PEGB/N/T/V/W/Z
GS475LEKS	SF379LEKB/Q/T
SF195LEKB/Q/T	SF380LEKQ/T
SF356BEKB/Q/V/W	SF385PEGB/N/Q/T/W/Z
SF357PEKQ/T/V/W	SF387LEGW
SF365PEGN/Q/T/W	SF387LEKB/Q/T
SF367LEKB/Q/T/V/W	SF389LEKQ/T

Gas supply: Use 3/4" rigid pipe gas supply line to the range location. A smaller size pipe on long runs may result in insufficient gas supply. With L.P. gas, piping or tubing size can be 1/2" minimum. If local codes permit, it is recommended that new flexible metal tubing, design-certified by AGA or CSA, 4-5 feet long, 1/2-inch or 3/4-inch I.D., be used for connecting the range to the rigid gas supply line. A 1/2" male pipe thread is needed for connection to pressure regulator female pipe threads. An individual manual shutoff valve must be located in the same room, but external to the range.

Electrical: A 120-volt, 60-Hz, AC-only, 10-ampere, electrical supply fused on both sides of the line. A separate circuit is recommended. A time-delay fuse or circuit breaker is recommended.

OVERALL DIMENSIONS



CABINET OPENING DIMENSIONS

