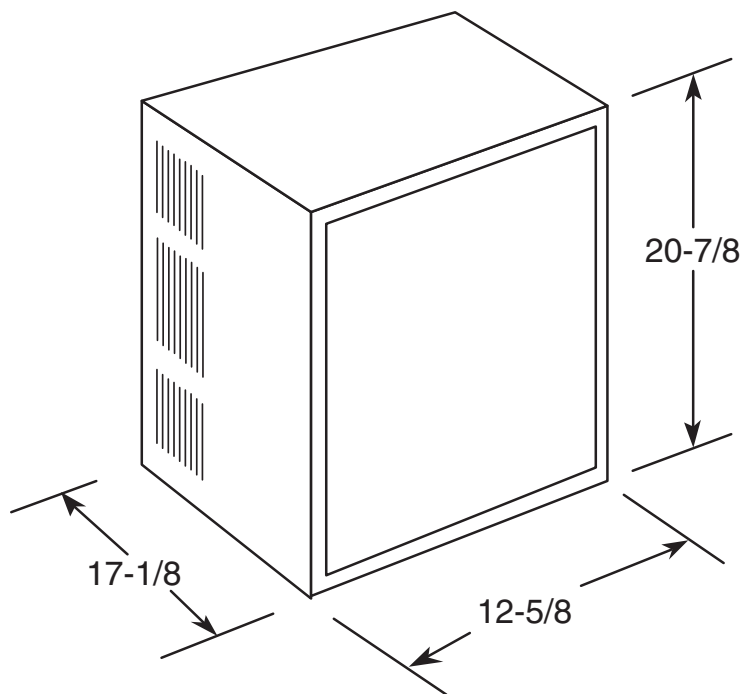




GE Appliances

## AHG30LF – GE® 115 Volt Dehumidifier

### Wall Case Dimensions (in inches)



Parallel  
115V  
15 Amp

**Wall Outlets:** All wiring, including installation of receptacle, must be made in accordance with local electrical codes and regulations. Electrical outlet should be in reach of line cord.

**Note:** Aluminum wiring may pose special problems – consult a qualified electrician.

**Warranty:** One-Year Full Warranty on entire unit. In-home service. Parts and labor included. Five-Year Full Warranty on sealed refrigerating system. In-home service. Parts and labor included. See written warranty for details.



Listed by  
Underwriters  
Laboratories



Total capacity and E.E.R.  
ratings are calculated  
based on the Association  
of Home Appliance  
Manufacturers' standards.



**GE Appliances**

## AHG30LF – GE® 115 Volt Dehumidifier



### Features and Benefits

- ENERGY STAR® qualified
- 140/127 (CFM) Air Flow Hi/Low
- 30 Dehumidification Pints Per Day
- Water “Full” Indicator Light
- Automatic Shut-Off System
- Automatic Defrost
- 2 Fan Speeds Selections
- 115 Volts
- Model AHG30LF

Specification Created 6/04

390723