

ELECTRIC WALL OVEN INSTALLATION INSTRUCTIONS

**INSTALLATION AND SERVICE MUST BE PERFORMED BY A QUALIFIED INSTALLER.
IMPORTANT: SAVE FOR LOCAL ELECTRICAL INSPECTOR'S USE.
READ AND SAVE THESE INSTRUCTIONS FOR FUTURE REFERENCE.**

⚠ WARNING FOR YOUR SAFETY: Do not store or use gasoline or other flammable vapors and liquids in the vicinity of this or any other appliance.

The first step of your installation should be to measure your current cutout dimensions and compare them to the cutout dimensions chart below. You may find little or no cabinet work will be necessary.

⚠ WARNING Do not remove spacers on the side walls and/or on the back of the built-in oven. These spacers center the oven in the space provided. The oven must be centered to prevent excess heat buildup that may result in heat damage or fire.

NOTE:

1. Base must be capable of supporting 400 pounds (181.4 kg).
2. Make sure base is level and front of cabinet is square. If the cabinet base is not level, the oven glides will tend to slide out when opening the door.

**** NOTE:** Allow at least 23¼" (59.1 cm) clearance for door depth when it is open.

NOTE: Dimension **G** is critical to the proper installation of the built-in oven. If the oven decorative moulding does not butt against the cabinet, or if noise is heard on convection models, verify dimension **G** to assure it is according to the required dimension.

* Suggested distance from floor is 11½" (29.2 cm).
Minimum required distance is 4½" (11.4 cm).

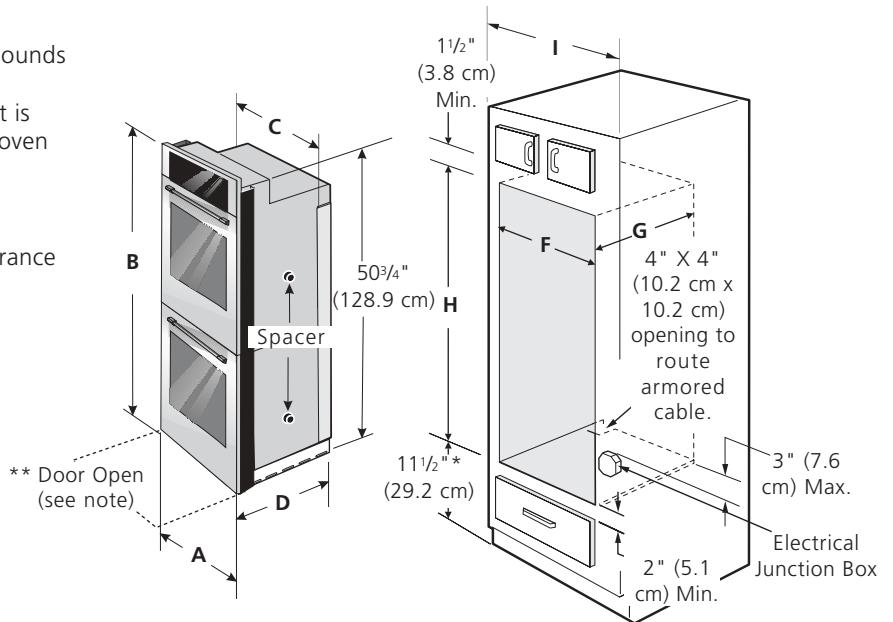


Figure 1

PRODUCT DIMENSIONS				
MODEL	A	B	C (Rear wrapper)	D
30" (76.2 cm) Wall Oven	30 (76.2)	52⅞ (132.4)	28¼ (71.8)	24½ (62.2)
CUTOUT DIMENSIONS AND CABINET WIDTH				
MODEL	Min. F	Max. F	G (Min.)	Min. H Max. H I
30" (76.2 cm) Wall Oven	28½ (72.4)	29 (73.7)	24 (61)	51 (129.5) 51¾ (131.4) 30 (76.2) Min

All dimensions are in inches (cm).

ELECTRIC WALL OVEN INSTALLATION INSTRUCTIONS

Important Notes to the Installer

1. Read all instructions contained in these installation instructions before installing the wall oven.
2. Remove all packing material from the oven compartments before connecting the electrical supply to the wall oven.
3. Observe all governing codes and ordinances.
4. Be sure to leave these instructions with the consumer.
5. **THIS OVEN IS NOT APPROVED FOR STACKABLE OR SIDE-BY-SIDE INSTALLATION.**

Important Note to the Consumer

Keep these instructions with your Owner's Guide for future reference.

IMPORTANT SAFETY INSTRUCTIONS

- Be sure your wall oven is installed and grounded properly by a qualified installer or service technician.
- This wall oven must be electrically grounded in accordance with local codes or, in their absence, with the National Electrical Code ANSI/NFPA No.70- latest edition in United States, or with CSA Standard C22.1, Canadian Electrical Code, Part 1, in Canada.

⚠ WARNING Stepping, leaning or sitting on the door of this wall oven can result in serious injuries and can also cause damage to the wall oven.

- Never use your wall oven for warming or heating the room. Prolonged use of the wall oven without adequate ventilation can be dangerous.

⚠ WARNING The electrical power to the oven must be shut off while line connections are being made. Failure to do so could result in serious injury or death.

1. Carpentry

Refer to figure 1 for the dimensions applicable to your appliance, and the space necessary to receive the oven. The oven support surface may be solid plywood or similar material, however the surface must be level from side to side and from front to rear.

2. Electrical Requirements

This appliance must be supplied with the proper voltage and frequency, and connected to an individual, properly grounded branch circuit, protected by a circuit breaker or fuse, having amperage as noted on the rating plate (the rating plate is located on the oven frame).

Observe all governing codes and local ordinances

1. A 3-wire or 4-wire single phase 120/240 or 120/208 Volt, 60 Hz AC only electrical supply is required on a separate circuit fused on both sides of the line (time-delay fuse or circuit breaker is recommended). DO NOT fuse neutral. The fuse size must not exceed the circuit rating of the appliance specified on the nameplate. Consideration must be given for a combination built-in oven and cooktop refer to unit serial plate of each.

NOTE: Wire sizes and connections must conform with the fuse size and rating of the appliance in accordance with the American National Electrical Code ANSI/NFPA No. 70-latest edition, or with Canadian CSA Standard C22.1, Canadian Electrical Code, Part 1, and local codes and ordinances.

⚠ WARNING An extension cord should not be used with this appliance. Such use may result in a fire, electrical shock, or other personal injury.

2. These appliances should be connected to the fused disconnect (or circuit breaker) box through flexible armored or nonmetallic sheathed cable. The flexible armored cable extending from the appliance should be connected directly to the junction box. The junction box should be located as shown in figure 1 and with as much slack as possible remaining in the cable between the box and the appliance, so it can be moved if servicing is ever necessary.
3. A suitable strain relief must be provided to attach the flexible armored cable to the junction box.

⚠ WARNING

Electrical Shock Hazard

- Electrical ground is required on this appliance.
- Do not connect to the electrical supply until appliance is permanently grounded.
- Disconnect power to the junction box before making the electrical connection.
- This appliance must be connected to a grounded, metallic, permanent wiring system, or a grounding connector should be connected to the grounding terminal or wire lead on the appliance.
- Do not use a gas supply line for grounding the appliance.

Failure to do any of the above could result in a fire, personal injury or electrical shock.

⚠ CAUTION During cold temperature weather to prevent damage to the oven control, wait at least three (3) hours after receiving this built-in oven before switching the power. This will prevent possible damage to the built-in oven control at power on.

ELECTRIC WALL OVEN INSTALLATION INSTRUCTIONS

3. Electrical connection

It is the responsibility and obligation of the consumer to contact a qualified installer to assure that the electrical installation is adequate and is in conformance with the National Electrical Code ANSI/NFPA No. 70-latest edition, or with CSA Standard C22.1, Canadian Electrical Code, Part 1, and local codes and ordinances.

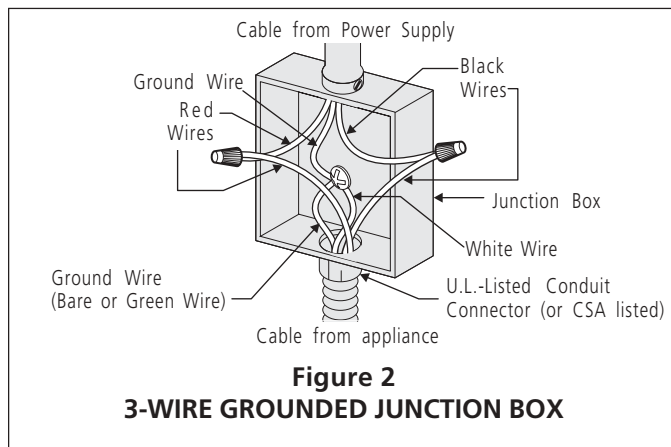
Electrical ground is required on this appliance.

These appliances are equipped with a copper conductor flexible cable. If connection is made to aluminum house wiring, use only special connectors which are approved for joining copper and aluminum wires in accordance with National Electrical Code and local codes and ordinances.

These appliances are manufactured with a white neutral power supply wire and a frame connected green or bare copper grounding wire.

1. If local codes permit connection of the frame grounding conductor to the neutral (white) wire.

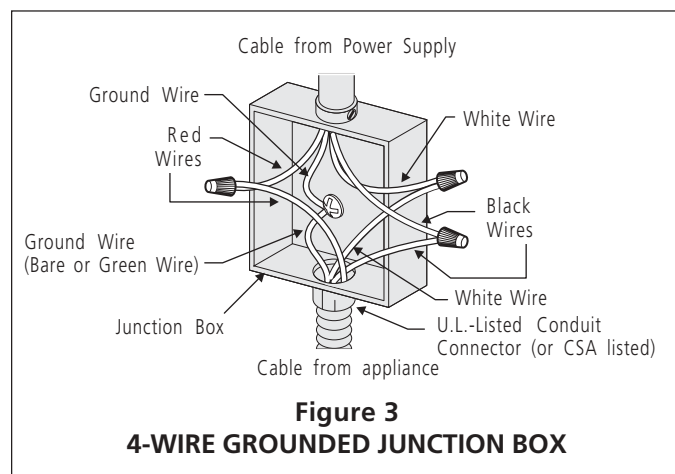
Connect the green (or bare copper) wire and the white wire from the appliance cable to the supply cable ground wire (white or bare) inside the junction box. Connect the remaining wires inside the junction box from the power supply cable to the matching colors of the appliance cable wires (figure 2).



⚠ WARNING Improper connection of aluminum house wiring to copper leads can result in a short circuit or fire. Use only connectors designed for joining copper to aluminum, and follow the manufacturer's recommended procedure closely.

⚠ WARNING Frame grounded through the neutral. If used in a mobile home, new branch circuit (1996 NEC) recreational vehicles or where local codes do not permit grounding through neutral see figure 3.

2. If used in mobile homes or if local codes DO NOT permit connection of the frame grounding conductor to the neutral (white) wire, separate the white and bare copper ground wires that extend out of the end of the supply cable of the appliance. Connect the white wire from supply cable to the neutral white wire in the junction box. Connect the black and red wires from the supply cable to the matching color wires in the junction box. The bare wire must now be used to ground the appliance in accordance with local electrical codes. Connect the bare copper ground wire to the grounded lead in the service panel. DO NOT ground to a gas supply pipe. DO NOT connect to electrical power supply until appliance is permanently grounded. Connect the ground wire before turning on the power (figure 3).



⚠ CAUTION If connecting to a 4-wire electrical system, the appliance frame MUST NOT be connected to the neutral wire of the 4-wire electrical system.

NOTE TO ELECTRICIAN: The armored cable leads supplied with the appliance are CSA-recognized for connection to larger gauge household wiring. The insulation of the leads is rated at temperatures much higher than temperature rating of household wiring. The current carrying capacity of the conductor is governed by the temperature rating of the insulation around the wire, rather than the wire gauge alone.

ELECTRIC WALL OVEN INSTALLATION INSTRUCTIONS

4. Remove the oven door

Remove the doors, oven grids and grids supports to reduce the weight of the appliance and to facilitate its handling and its installation. (Refer to the **Use & Care Guide** for the instructions).

IMPORTANT

Do not lift the oven by the door handle.

NOTE: The oven door is very heavy. Be sure you have a firm grip before lifting the oven door off the hinges. Use Caution once the door is removed. Do not lay the door on its handle. This could cause dents or scratches.

5. Cabinet Installation

! WARNING

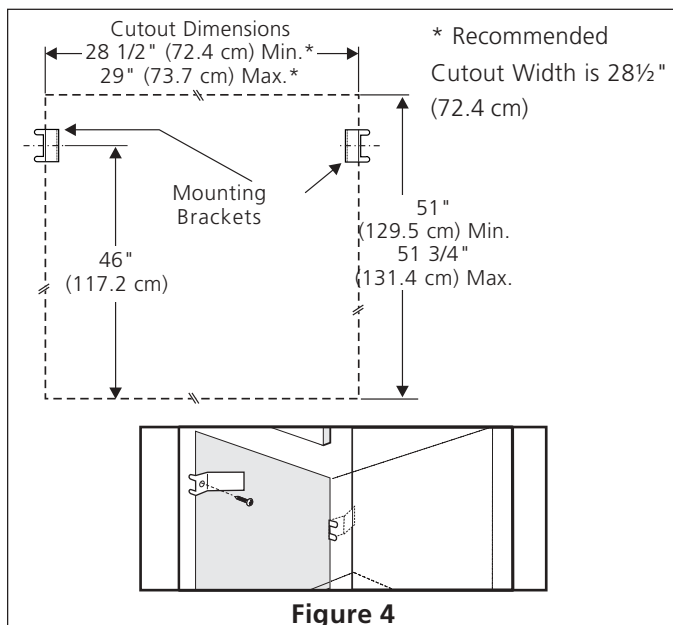
Heavy Weight Hazard

- Use 2 or more people to move and install wall oven.
- Failure to follow this instructions can result in injury or damage to the unit.

! WARNING The wall oven can tip when the doors are opened. The mounting brackets supplied with the wall oven must be attached to the cabinet and the appliance to prevent tipping of the wall oven and injury to persons.

Mounting Brackets Installation Instructions

1. Unpack the wall oven and find the 2 mounting brackets and screws included in the literature package.
2. Install the mounting bracket in the cabinet as shown on figure 4. **Note:** To prevent damage to cabinet, it is recommended to drill 1/16" (0.16 cm) dia. pilot holes before installing the mounting brackets.

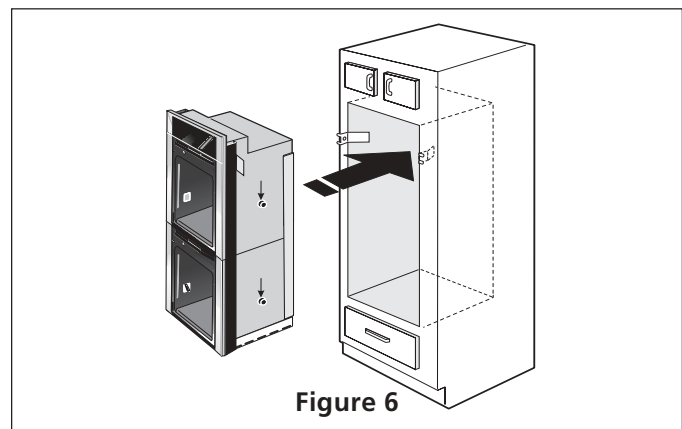
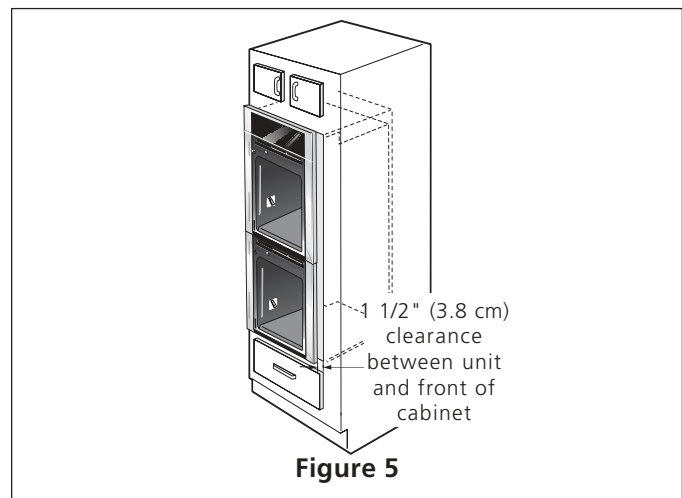


3. Insert the unit into the cabinet opening. Slide unit inward leaving 1 1/2" (3.8 cm) clearance between the oven and front of cabinet (see Figure 5). Pull the armored cable through the hole in the floor and toward the junction box while moving the appliance inward.

4. Push the unit in and against the cabinet, then the oven side bracket will clip in the one you just install on the side of the cabinet opening (see figure 6).

Put back in place the grids supports, grids and oven doors. (Refer to the **Use & Care Guide** for the instructions).

To pull out the oven for servicing insert the tool supplied with the appliance both side at the same time in the hole located on the side frame and visible when the door is opened. After inserting the tool pull the oven towards you (see figure 7).



ELECTRIC WALL OVEN INSTALLATION INSTRUCTIONS

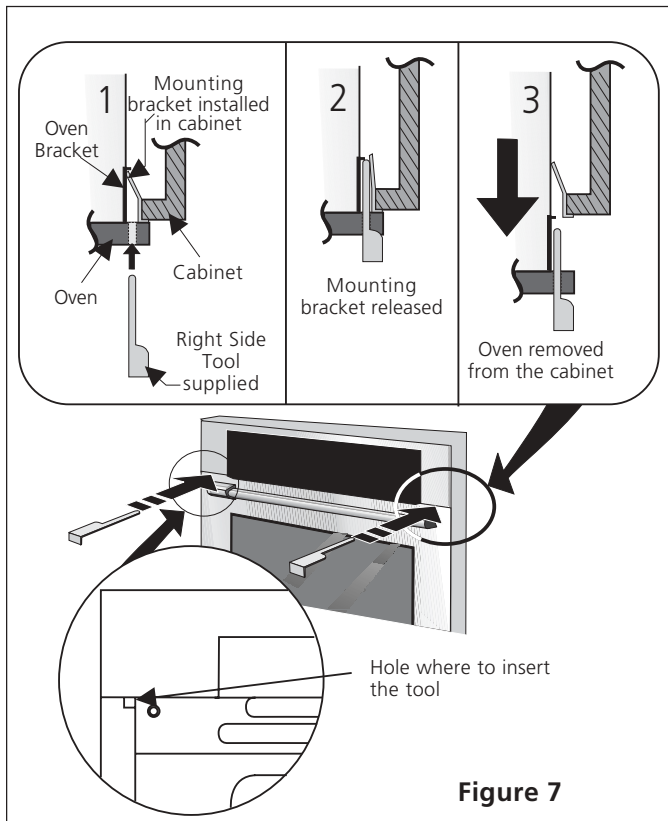


Figure 7

6. Checking Operation

Your model is equipped with an **Electronic Oven Control**. Each of the functions has been factory checked before shipping. However, it is suggested that you verify the operation of the electronic oven controls once more. Refer to the **Use and Care Guide** for operation.

1. Remove all items from the inside of the oven.
2. Turn on the power to the oven (Refer to your Use & Care Guide.)
3. Verify the operation of the electronic oven controls:
 - Bake** - Verify that this function makes the oven hot. 20 seconds after turning oven on, open the door and you should feel heat coming from the oven.
 - Broil** - When the oven is set to BROIL, the upper element in the oven should become red.
 - Convection** -When the oven is set for a convection baking or roasting, both elements cycle on and off alternately and the convection fan will run. The convection fan will stop running when the oven door is opened.

IMPORTANT NOTE: A fan inside the oven will turn on as soon as the oven is operated.

Model and Serial Number Location

The serial plate is located inside the oven on the side trim.

When ordering parts for or making inquires about your oven, always be sure to include the model and serial numbers and a lot number or letter from the serial plate on your oven.

Before You Call for Service

Read the Avoid Service Checklist and operating instructions in your [Use & Care Guide](#). It may save you time and expense. The list includes common occurrences that are not the result of defective workmanship or materials in this appliance.

Refer to the warranty in your [Use & Care Guide](#) for our toll-free service number and address. Please call or write if you have inquiries about your product and/or need to order parts.

ELECTRIC WALL OVEN INSTALLATION INSTRUCTIONS

NOTES

INSTRUCCIONES DE INSTALACIÓN PARA EL HORNO ELECTRICO DE PARED

LA INSTALACION Y EL SERVICIO DEBEN SER EFECTUADOS POR UN INSTALADOR CALIFICADO. IMPORTANTE: GUARDE ESTAS INSTRUCCIONES PARA USO DEL INSPECTOR LOCAL DE ELECTRICIDAD. LEA Y GUARDE ESTAS INSTRUCCIONES PARA REFERENCIA FUTURA.

⚠️ ADVERTENCIA PARA SU SEGURIDAD: No almanece ni utilice gasolina u otros vapores y líquidos inflamables en la proximidad de este o de cualquier otro artefacto.

El primer paso para su instalación debe de ser el de medir las dimensiones de la apertura y compararlas con las que se indican en el cuadro de dimensiones del hueco de la figura 1. Posiblemente encontrará que algún trabajo de carpintería será necesario.

⚠️ ADVERTENCIA No quite los separadores de los muros laterales o/y de la parte posterior del horno empotrado. Estos espaciadores centran el horno en el espacio provisto. El horno debe estar centrado para prevenir una concentración excesiva de calor que podría resultar en daños por el calor o un incendio.

NOTA:

1. La base debe poder sostener 400 libras (181.4 kg).
2. Asegúrese que la base esta a nivel y que el frente del gabinete está cuadrado. Si la base del gabinete no esta nivelada, las correderas del horno tenderá a deslizar en el momento que se abre la puerta.

**** NOTA:** Deje por lo menos 23¼" (59.1 cm) de espacio libre para la profundidad de la puerta cuando esta abierta.

NOTA: La dimensión **G** está primordial para instalar correctamente el horno de pared. Si el adorno del armazón del horno no topa contra el armario, o si escuche un ruido, verifique si la dimensión **G** está en conformidad con la dimensión requerida.

* Distancia sugerida desde el suelo es 11½" (29.2 cm).
La distancia mínima requerida es 4½" (11.4 cm).

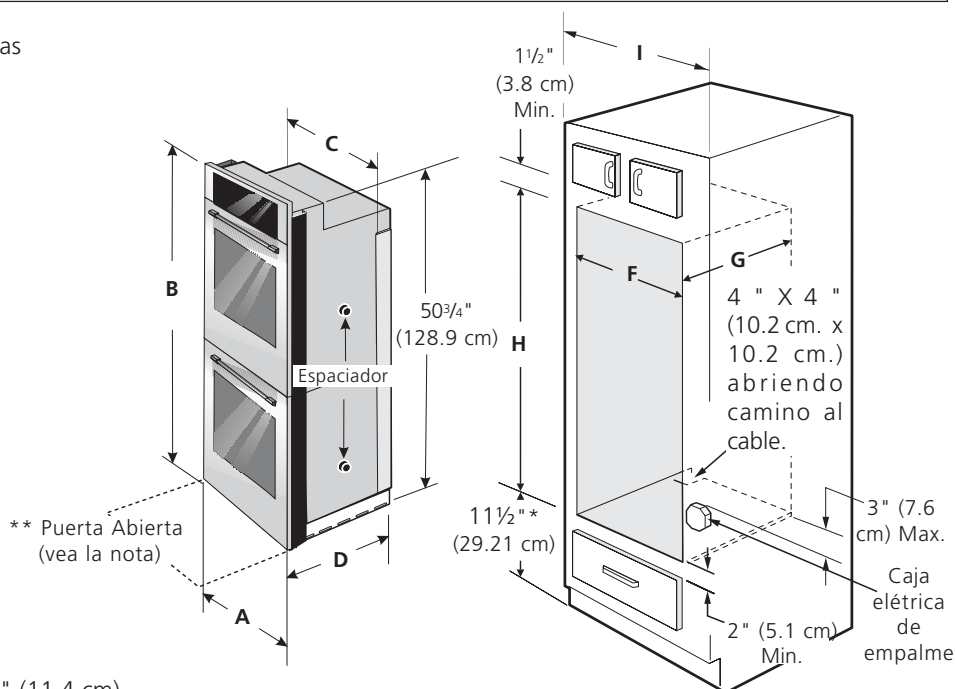


Figura 1

DIMENSIONES DEL APARATO					
MODELO	A	B	C (Exterior posterior)	D	
Horno de pared 30" (76.2 cm)	30 (76.2)	52 1/8 (132.4)	28 1/4 (71.8)	24 1/2 (62.2)	
DIMENSIONES DEL HUECO Y ANCHURA DEL ARMARIO					
MODELO	Min. F	Max.	G (Min.)	Min. H Max. I	
Horno de pared 30" (76.2 cm)	28 1/2 (72.4)	29 (73.7)	24 (61)	51 (129.5) 51 3/4 (131.4)	30 (76.2) Min

Todas las dimensiones se dan en pulgadas (cm).

INSTRUCCIONES DE INSTALACIÓN PARA EL HORNO ELÉCTRICO DE PARED

Notas importantes para el instalador

1. Lea todas las instrucciones contenidas en este manual antes de instalar el horno.
2. Saque todo el material usado en el embalaje del compartimiento del horno antes de conectar el suministro eléctrico o de gas a la estufa.
3. Observe todos los códigos y reglamentos pertinentes.
4. Deje estas instrucciones con el consumidor.
5. **ESTE HORNO NO ESTÁ APROBADO PARA LA INSTALACIÓN APILABLE O DE LADO A LADO.**

Nota importante al consumidor

Conserve estas instrucciones y el manual del usuario para referencia futura.

INSTRUCCIONES IMPORTANTES DE SEGURIDAD

- **Asegúrese de que su horno de pared sea instalado y puesto a tierra de forma apropiada por un instalador calificado o por un técnico de servicio.**
- **Este horno de pared debe ser eléctricamente puesto a tierra de acuerdo con los códigos locales o, en su ausencia, con el Código Eléctrico Nacional ANSI/NFPA No. 70—última edición en los Estados Unidos, o el Código Eléctrico Canadiense CSA Standard C22.1, Part 1, en Canadá.**

⚠ ADVERTENCIA Pisar, apoyarse, o sentarse sobre la puerta de este horno de pared puede causar serias lesiones y daños al horno de pared.

- **Nunca use su horno de pared para calentar una habitación.** El uso prolongado de la estufa sin la ventilación adecuada puede ser peligroso.

⚠ ADVERTENCIA La corriente eléctrica al horno debe estar apagada mientras se hacen las conexiones de líneas. Si no se apaga, daños serios o la muerte podrían resultar.

1. Carpintería

Consulte la Figura 1 para conocer las dimensiones pertinentes al modelo de su horno y al espacio necesario en el que poner el horno. La superficie donde se va a apoyar el horno debe de ser de madera contrachapada sólida u otro material similar y, sobre todo, la superficie tiene que estar a nivel, de lado a lado, y de atrás hacia adelante.

2. Requisitos Eléctricos

Este artefacto debe ser suministrado con el voltaje y la frecuencia adecuados, y conectado a un circuito individual correctamente puesto a tierra, protegido por un cortacircuito o un fusible con el amperio anotado en la placa de calificación (la placa se encuentra en el armazón del horno).

Cumpla con todos los códigos en vigor y todos los reglamentos locales.

1. Para el suministro eléctrico solamente se necesita corriente con frecuencia de 60 Hz AC y fase única de 120/208 o 120/240 voltios suministrada por cable de 3 o de 4 alambres en un circuito separado con fusibles en ambos lados de la línea (se recomienda un fusible de tiempo retardado o un cortacircuito). NO ponga un fusible en hilo neutro. El tamaño del fusible no tiene que exceder la capacidad del circuito necesario para el electrodomésticos y la cual se especifica en la placa. Considere un horno emportado combinado con una cocina. Refiera a la placa de serie de cada aparato.

NOTA: El tamaño de los cables y de las conexiones debe de estar en conformidad con el tamaño del fusible y con la capacidad del electrodomésticos y de acuerdo con el Código Eléctrico Nacional ANSI/NFPA No. 70 - última edición, o el Código Eléctrico Canadiense CSA Standard C22.1, Part 1, y los códigos y reglamentos locales.

⚠ ADVERTENCIA No se debe usar extensiones para enchufar este electrodoméstico. Esto podría en un incendio, choque eléctrico u otro tipo de daño personal.

⚠ ADVERTENCIA

Riesgo de choque eléctrico

- **Una puesta a tierra se requiere en este aparato.**
- **No lo conecte a la corriente eléctrica hasta que el aparato haya sido puesto a tierra.**
- **Desconecte la corriente eléctrica a la caja de empalmes antes de hacer la conexión eléctrica.**
- **Este aparato debe estar conectado con un sistema de alambres puesto en tierra, metálico y permanente o un conector de puesta a tierra debe conectarse al terminal de puesta a tierra o el alambre conductor en el aparato.**
- **No utilice el suministro de gas para hacer la puesta a tierra.**

La falta de cualquiera de las instrucciones mencionadas podría resultar en un incendio, choque eléctrico o lesiones personales.

INSTRUCCIONES DE INSTALACIÓN PARA EL HORNO ELECTRICO DE PARED

- Este electrodoméstico debe conectarse a la caja de fusibles (o de cortacircuito), por medio de un cable blindado flexible o un cable con forro no metálico. El cable blindado flexible que va desde el electrodoméstico debe de estar conectado directamente a la caja de empalme. La caja de empalme debe de estar localizada en el lugar que se indica en la Figura 1 o 2, dejando tanto exceso de cable como sea posible entre la caja y el electrodoméstico, de forma que así el electrodoméstico se pueda mover fácilmente, si fuera necesario para hacer una reparación.
- Se debe de usar un conector que reduzca la tirantez de una forma adecuada para unir el cable blindado flexible a la caja de empalme.

⚠ AVISO Durante la temporada de frío y para prevenir todo daño a los controles del horno empotrado, espere unas 3 horas antes de encenderlo. Esto evitará todo daño posible al control incorporado del horno empotrado.

3. Conexión eléctrica

El usuario tiene la responsabilidad personal y obligación de utilizar un instalador calificado, para asegurar que la instalación eléctrica está hecha de forma adecuada y está conforme con el Código Eléctrico Nacional ANSI/NFPA No. 70-última edición en los Estados Unidos, o el Código Eléctrico Canadiense CSA Standard C22.1, Part 1, en Canadá.

En este electrodomestico se necesita un cable de toma a tierra.

Este electrodoméstico viene equipado con un cable de conexión de cobre. Si esto tuviera que conectarse a los cables de aluminio de una casa, use solamente los conectores especiales aprobados para empalmes de cobre y aluminio, de acuerdo con el Código Eléctrico Nacional y los reglamentos y códigos locales.

Este electrodoméstico se ha fabricado con un cable para el suministro de energía que tiene un alambre neutro de color blanco y un alambre pelado de toma a tierra conectado al armazón.

- Si los códigos locales permiten la conexión del conductor de toma a tierra del armazón al neutro (alambre blanco).**

Una el alambre pelado y el alambre blanco del cable de suministro de energía del electrodomestico juntos al cable neutro (blanco) en la caja de empalme. Conecte los alambres restantes desde el cable de suministro de energía, emparejando los colores con los de los cables en la caja de empalme (figura 2).

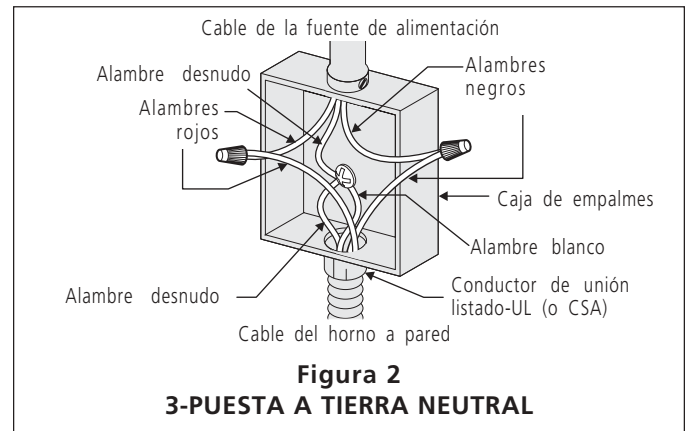


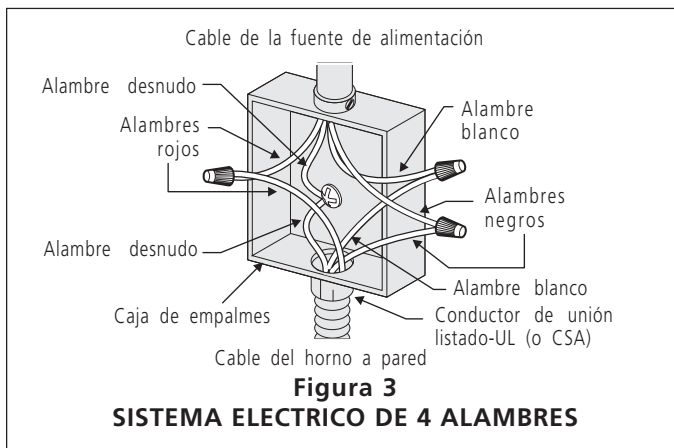
Figura 2
3-PUESTA A TIERRA NEUTRAL

⚠ ADVERTENCIA Una conexión incorrecta del alambrado de aluminio con los conductores de cobre puede resultar en un cortacircuito o incendio. Use solamente los conectores diseñados para juntar el cobre con el aluminio y siga exactamente el procedimiento recomendado por el fabricante.

INSTRUCCIONES DE INSTALACIÓN PARA EL HORNO ELECTRICO DE PARED

⚠️ ADVERTENCIA El marco esta aterrizado a través del cable neutro. Si es usado el electrodoméstico en una casa movil (1996 NEC), vehiculos recreativos, o donde las leyes locales no permitir aterrizar a través del cable neutro vea figura 3.

2. Si este horno se va a usar en una casa sobre ruedas o si los códigos locales NO permiten que el armazón este conectado al neutro (blanco) de la toma a tierra, separe el alambre blanco y el de toma a tierra pelado que salen del final del cable de suministro de energía al electrodoméstico. Conecte el alambre blanco del cable de suministro de energía al alambre blanco neutro en la caja de empalme. Conecte el alambre negro y el alambre rojo del cable de suministro de energía, emparejando los colores con los alambres correspondientes en la caja de empalme. El alambre pelado debe de usarse ahora para la toma a tierra del electrodoméstico de acuerdo con los códigos eléctricos locales. Conecte el alambre de cobre pelado de toma a tierra al alambre de toma a tierra en el panel de servicio. NO conecte la toma a tierra a una tubería de suministro de gas. NO conecte el suministro de energía eléctrica hasta que el electrodomestico tenga su toma a tierra instalada permanentemente. Conecte el alambre de toma a tierra antes de enchufar por primera vez el electrodoméstico (figura 3).



⚠️ PRECAUCION Si está conectado a un sistema eléctrico de 4 alambres, el armazón del electrodoméstico NO TIENE QUE estar conectado al alambre neutro del sistema eléctrico de 4 alambres.

NOTA AL ELECTRICISTA: Los conductores de cable blindados provistos con este artefacto son aprobados por UL para la conexión al alambrado de casa de un calibre mayor. El aislamiento de los conductores está calificado para temperaturas más altas que las del alambrado de la casa. La capacidad de corriente del conductor está gobernada por la calificación de la temperatura del aislamiento alrededor del alambre en vez de solamente el calibre del alambre.

4. Quitar la puerta del horno

Quite las puertas, rejillas del horno y soportes de rejillas para reducir el peso del aparato y para facilitar su manejo y su instalación. (Refiérase al **Manual del Usuario** para las instrucciones).

IMPORTANTE

No levante el horno por la manija de la puerta.

NOTA: La puerta del horno es muy pesada. Asegúrese que usted tiene un puño firme antes de levantar la puerta de horno de las bisagras. Tener Cuidado una vez la puerta se a quitado. No coloque la puerta en su manija. Esto podría causar bollos o rasguños.

5. Instalación del Gabinete

⚠️ ADVERTENCIA

Peligro de Peso Pesado

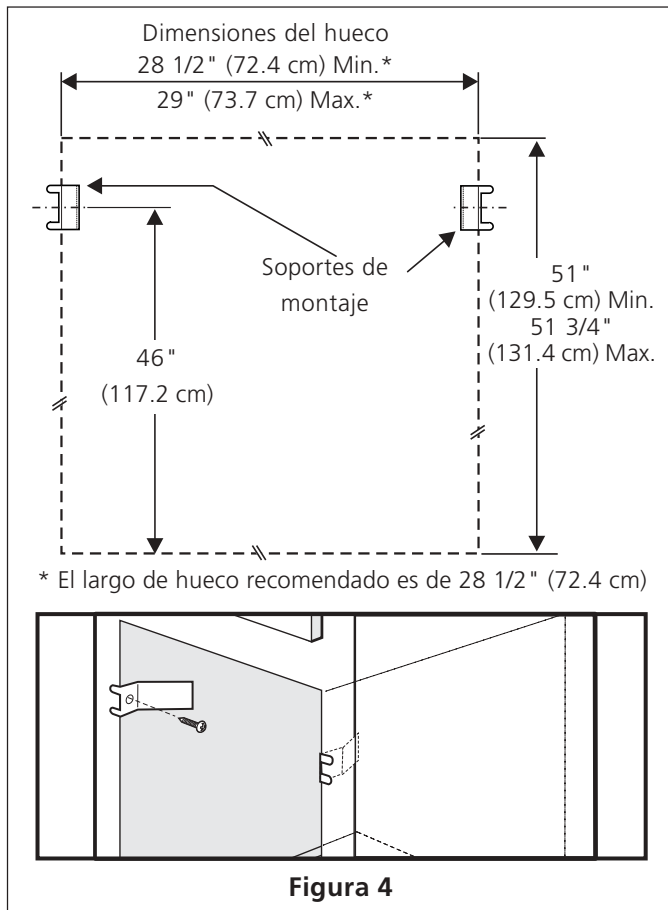
- Use 2 personas o más para mover e instalar el horno de pared.
- Si no cumple con esta instrucción, puede resultar en lesiones personales o daños al horno de pared

⚠️ ADVERTENCIA El horno de pared puede inclinarse cuando las puertas estan abiertas. Los soportes de montaje que vienen con el horno de pared deben de estar ajustados al armario y al aparato para evitar que el horno de pared se incline y ocasione quemaduras graves.

Instrucciones de instalación de los soportes de montaje

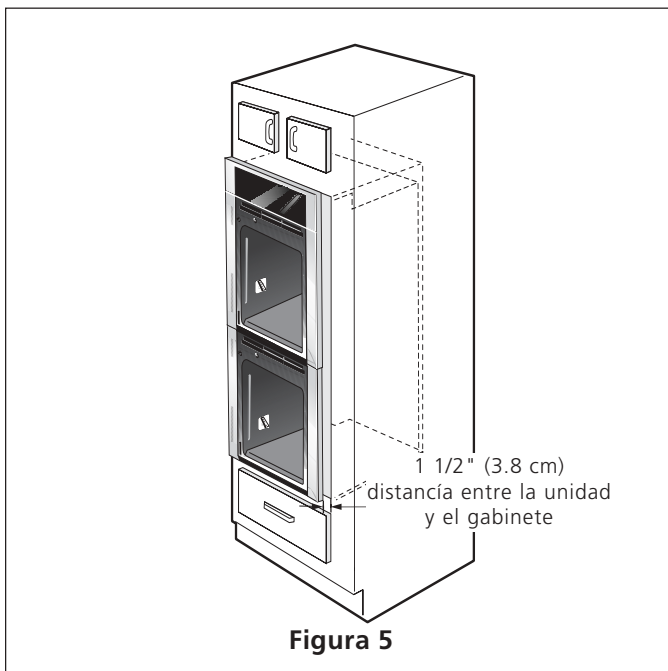
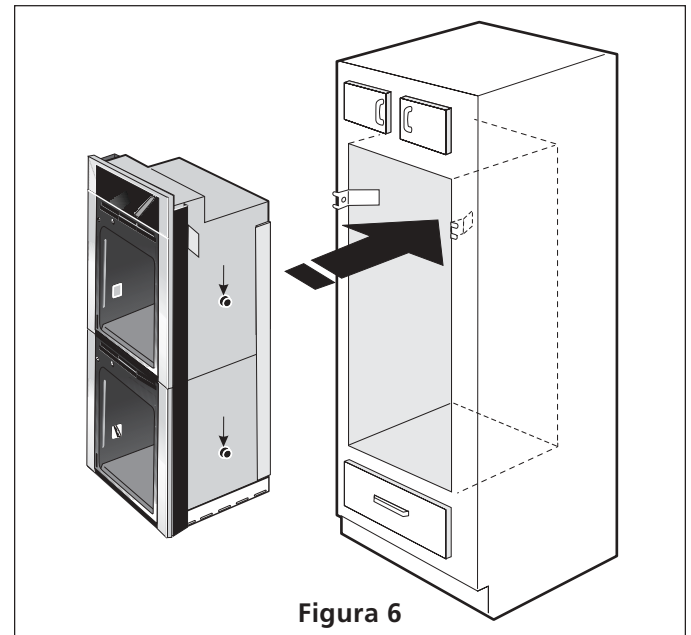
1. Desembále el horno de pared y encuentre los dos tornillos de montaje incluidos con el paquete de información.
2. Instale la abrazadera de montaje como en la figura 4. Nota: Para prevenir cualquier tipo de daño al gabinete es recomendable perforar agujeros con un diametro de 1/16" (0,16cm) antes de instalar los soportes de montaje.
3. Introduzca la unidad dentro de la apertura del gabinete. Deslícela dejando 1½" (3.8 cm.) entre el horno y el frente del gabinete (vea figura 5). Empuje la unidad y tire el cable blindado a través del hoyo en el piso, y hacia la caja de empalmes.

INSTRUCCIONES DE INSTALACIÓN PARA EL HORNO ELECTRICO DE PARED

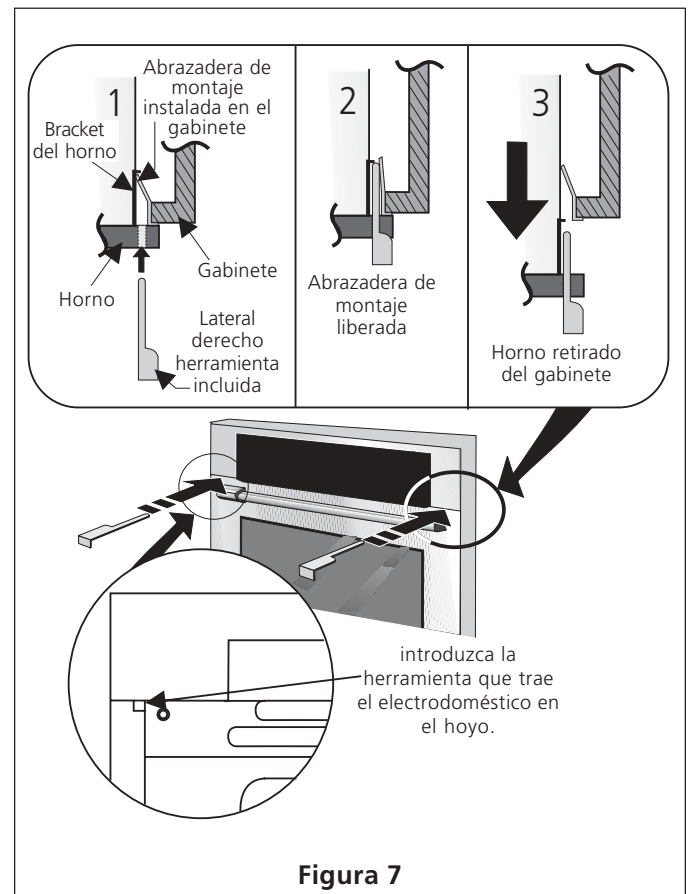


Vuelva a colocar los soportes de rejillas, las rejillas y las puertas del horno. (Refiérase al **Manual del Usuario** para las instrucciones).

Para retirar el horno y llevarlo al servicio, introduzca la herramienta que trae el electrodoméstico en el hoyo que se encuentra del lado lateral, y visible al abrir la puerta. Luego de introducir la herramienta, tire hacia su dirección (vea figura 7).



4. Empuje la unidad contra el gabinete, y así la abrazadera se ajustará con la otra que acaba de instalar del lado de la apertura del horno (vea figura 6).



6. Verificación de del funcionamiento

Su modelo está equipado con un **Control Electrónico de Horno**. Cada una de las funciones ha sido controlada en fábrica antes del despacho. Sin embargo, le sugerimos verificar el funcionamiento de los controles electrónicos una vez más. Consulte la **Guía de Uso y Cuidado** para ver el funcionamiento del horno.

1. Extraer todos los elementos de la parte interior del horno.
2. Encender el horno (Consultar la Guía de Uso y Cuidado.)
3. Verificar el funcionamiento de los controles electrónicos del horno:

Hornear – Verificar que esta función caliente el horno. Veinte minutos después de encender el horno, abrir la puerta y ver si se siente que el calor emana desde su interior.

Asar– Cuando se pone el horno para asar, el elemento de arriba del horno debe de ponerse rojo.

Convección – Cuando se configura el horno para horneado o asado por convección, los dos elementos se encienden y apagan en forma alterna y se enciende el ventilador. El ventilador de convección dejará de funcionar cuando se abre la puerta del horno durante el horneado o asado por convección.

NOTA IMPORTANTE: Un ventilador dentro del horno se encenderá tan pronto como el horno empiece a funcionar.

Ubicación del número de modelo y de serie

La placa de serie se encuentra dentro del horno, en el contramarco lateral.

Cuando haga pedidos de repuestos o solicite información con respecto a su horno, esté siempre seguro de incluir el número de modelo y de serie y el número o letra del lote de la placa de serie de su horno.

Antes de llamar al servicio

Lea la sección Lista de Control de Averías en su Manual del Usuario. Esto le podrá ahorrar tiempo y gastos. Esta lista incluye ocurrencias comunes que no son el resultado de defectos de materiales o fabricación de este artefacto.

Lea la garantía y la información sobre el servicio en su Manual del Usuario para obtener el número de teléfono gratuito y la dirección del servicio. Por favor llame o escriba si tiene preguntas acerca de su horno o necesita repuestos.

NOTAS

INSTRUCTIONS D'INSTALLATION POUR FOUR ENCASTRÉ ÉLECTRIQUE

L'INSTALLATION ET L'ENTRETIEN DOIVENT ÊTRE EFFECTUÉS PAR UN INSTALLATEUR QUALIFIÉ.

IMPORTANT : CONSERVEZ POUR L'INSPECTEUR D'ÉLECTRICITÉ LOCAL. LISEZ ET CONSERVEZ CES INSTRUCTIONS POUR RÉFÉRENCES ULTÉRIEURES.

⚠ AVERTISSEMENT POUR VOTRE SÉCURITÉ : N'entrez pas ou n'utilisez pas d'essence ou d'autres produits inflammables à proximité de cet appareil ou de tout autre appareil électroménager.

La première étape de votre installation consiste à mesurer les dimensions du découpage actuel et, à les comparer au tableau de dimensions de découpage ci-dessous. Vous découvrirez peut-être que peu ou pas de modification sera nécessaire.

⚠ AVERTISSEMENT N'enlevez pas les entretoises sur les parois latérales et/ou à l'arrière du four. Ces entretoises centrent le four dans l'espace fourni. Le four doit être centré pour prévenir une accumulation excessive de chaleur pouvant causer un feu ou des dommages.

NOTE:

1. La Base doit pouvoir supporter 400 lbs (181.4 kg).
2. Assurez-vous que le fond du cabinet est bien à niveau et que la façade de l'armoire est d'équerre. Si le cabinet n'est pas à niveau, les glissières des grilles auront tendance à glisser hors du four lors de l'ouverture de la porte.

**** NOTE:** Allouez au moins 23¼" (59.1 cm) d'espace pour permettre l'ouverture de la porte du four.

NOTE: La dimension **G** est critique pour une bonne installation du four. Si la moulure inférieure (ventilation) du four ne s'adapte pas contre l'armoire, ou si un bruit se fait entendre sur les modèles à convection, vérifiez la dimension **G** pour s'assurer qu'elle est correcte.

- * La distance suggérée du plancher est 11½" (29.2 cm).
La distance minimale requise est 4½" (11.4 cm).

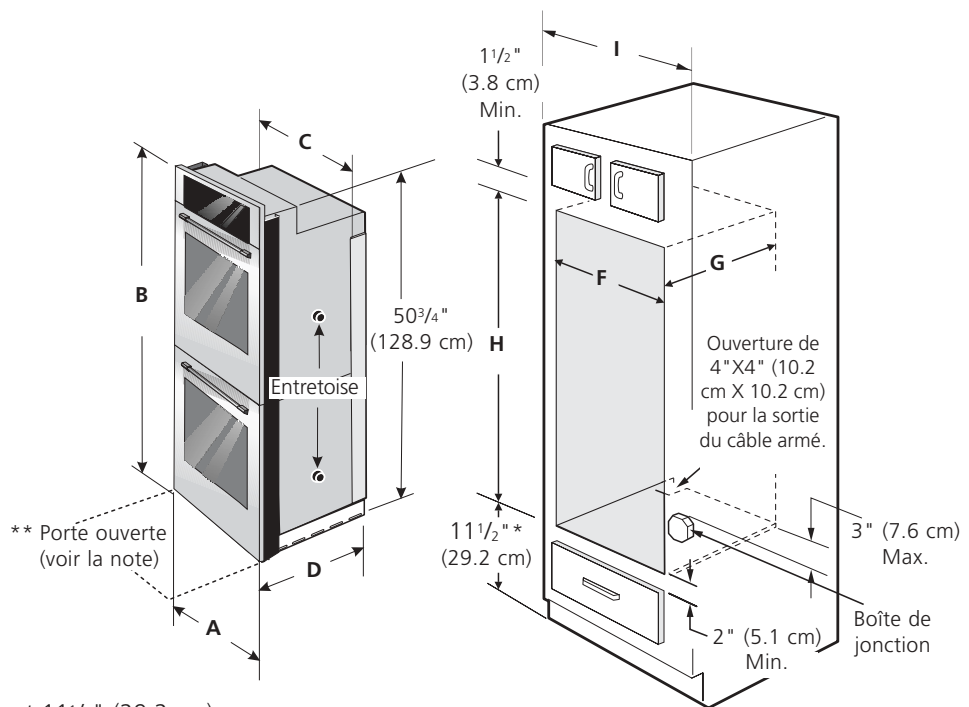


Figure 1

DIMENSIONS DE L'APPAREIL				
MODÈLE	A	B	C (Extérieur arrière)	D
Four encastré 30" (76.2 cm)	30 (76.2)	52 ¹ / ₈ (132.4)	28 ¹ / ₄ (71.8)	24 ¹ / ₂ (62.2)
DIMENSIONS DE DÉCOUPAGE ET DE L'ARMOIRE				
MODÈLE	Min. F Max.	G (Min.)	Min. H Max.	I
Four encastré 30" (76.2 cm)	28½ (72.4) 29 (73.7)	24 (61)	51 (129.5) 51¾ (131.4)	30 (76.2) Min

Toutes les dimensions sont en pouces (cm).

INSTRUCTIONS D'INSTALLATION POUR FOUR ENCASTRÉ ÉLECTRIQUE

Installateur

1. Lisez toutes ces instructions avant de procéder à l'installation de votre appareil.
2. Enlevez tout le matériel d'emballage du four avant de procéder au raccordement électrique.
3. Observez tous les codes et règlements applicables.
4. Assurez-vous de laisser ces instructions au consommateur.
5. **CE FOUR N'EST PAS HOMOLOGUÉ POUR UNE INSTALLATION CÔTE-À-CÔTE OU SUPERPOSÉE.**

Consommateur

Conservez ces instructions avec votre Manuel d'utilisation et d'entretien pour références futures.

DIRECTIVES IMPORTANTES DE SÉCURITÉ

- **Assurez-vous que votre four encastré est installé et mis à la terre conformément par un installateur ou un technicien de service qualifié.**
- **Ce four encastré doit être mis à la terre conformément aux codes locaux d'électricité ou, en leurs absences, en conformité avec le National Electrical Code ANSI/NFA No. 70, dernière édition aux Etats-Unis, ou avec la norme ACNOR C22,1, Partie 1, au Canada.**

⚠ AVERTISSEMENT Grimper, vous appuyer ou vous asseoir sur la porte de ce four encastré peut entraîner des blessures graves et peut aussi causer des dommages au four encastré.

- **N'utilisez jamais votre four encastré pour chauffer ou réchauffer la pièce.** L'utilisation prolongée du four encastré sans ventilation adéquate peut être dangereuse.

⚠ AVERTISSEMENT Il faut couper l'alimentation électrique durant le montage des connexions électriques. À défaut de ce faire il peut en résulter des blessures graves ou la mort.

1. Travaux de menuiserie

Reportez-vous à la figure 1 pour établir quelles sont les dimensions applicables à votre modèle, ainsi que l'espace nécessaire pour recevoir l'appareil. La surface qui supporte l'appareil doit être en contre-plaqué solide ou tout autre matériau du même type. Il faut vous assurer que la surface est de niveau d'un côté à l'autre et de l'avant à l'arrière.

2. Exigences électriques

Ces appareils doivent être branchés sur une alimentation possédant la tension et la fréquence appropriées et connecté à un seul circuit correctement mis à la terre et protégé par un disjoncteur ou un fusible correspondant à l'intensité indiquée sur la plaque signalétique (la plaque signalétique est située sur le châssis du four).

Observez tous les règlements et les codes locaux applicables.

1. Un câble électrique à 3 ou 4 fils de 120/240 ou 120/208 Volt monophasé, 60 Hz CA est requis sur un circuit séparé muni d'un fusible sur chaque fil conducteur (fusible temporisé ou disjoncteur recommandé). **NE RELIEZ pas de fusible au neutre.** La capacité du fusible ne doit pas excéder la capacité nominale du circuit de l'appareil spécifiée sur la plaque signalétique. Il faut tenir compte de l'ajout d'une plaque de cuisson superposée au four encastré. Référez-vous à la plaque signalétique de chaque unité.

NOTE: Le calibre des fils et leurs connexions doivent être conformes à la capacité des fusibles et à la capacité nominale de l'appareil, selon le National Electrical Code ANSI/NFPA No. 70, dernière édition, ou selon la norme ACNOR C22,1, Partie 1, du Code canadien de l'électricité et les codes et les règlements locaux.

⚠ AVERTISSEMENT N'utilisez pas de rallonge électrique avec ces appareils. Son utilisation peut causer un feu, un choc électrique ou des blessures corporelles.

2. Il faut brancher l'appareil au panneau de distributions en utilisant des câbles flexibles à gaine métallique ou non métallique. On doit brancher directement à la boîte de jonction le câble gainé flexible de l'appareil. Il faut disposer la boîte de jonction tel qu'illustré à la Figure 1 ou 2 en laissant autant de lâche que possible dans le câble entre la boîte et l'appareil, pour en faciliter le déplacement si l'entretien s'avère nécessaire.
3. Une attache de protection sécuritaire doit retenir le câble armé flexible à la boîte de jonction.

⚠ AVERTISSEMENT

Risque de choc électrique

- **La mise à la terre de cet appareil est obligatoire.**
- **Ne branchez pas l'appareil au circuit électrique tant qu'il ne sera pas mis à la terre correctement et en permanence.**
- **Coupez l'alimentation à la boîte de jonction avant de faire les raccords électriques.**
- **Cet appareil doit être connecté à un circuit permanent électrique, métallique et mis à la terre, ou à un connecteur de mise à la terre qui doit être branché à la borne ou au fil de mise à la terre de l'appareil.**
- **N'utilisez pas un tuyau d'alimentation de gaz pour la mise à la terre de l'appareil.**

Si vous ne respectez pas toutes les instructions précédentes, un feu, des blessures corporelles ou un choc électrique peuvent en résulter.

INSTRUCTIONS D'INSTALLATION POUR FOUR ENCASTRÉ ÉLECTRIQUE

⚠ ATTENTION Par temps froid, pour protéger la commande du four, il faut attendre au moins trois (3) heures après sa réception avant de mettre l'appareil sous tension. Ceci évitera toute possibilité d'endommager la commande du four lors de la mise sous tension.

3. Connexions électriques

Le consommateur est responsable et doit communiquer avec un installateur qualifié pour s'assurer que l'installation électrique est adéquate et conforme avec le National Electrical Code ANSI/NFPA No. 70-dernière édition, ou avec la norme ACNOR C22.1, partie 1, du code canadien de l'électricité, et les codes et règlements locaux.

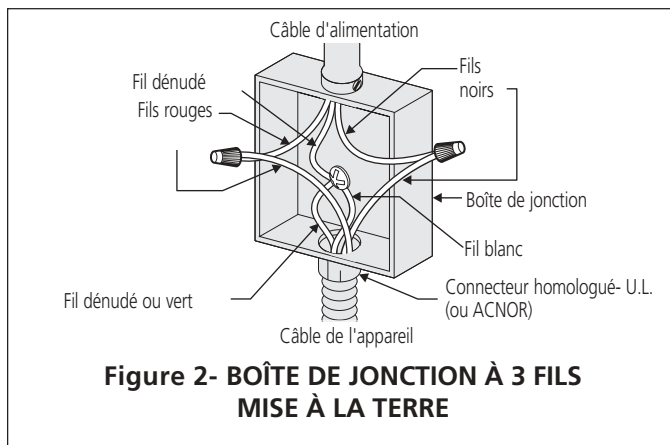
La mise à la terre de ces appareils est obligatoire.

Ces appareils sont munis d'un câble conducteur en cuivre flexible. Si la connexion est faite à un filage résidentiel en aluminium, utilisez seulement des connecteurs spéciaux approuvés pour le raccord de fils en cuivre et à des fils en aluminium conformes au National Electrical Code et aux codes et ordonnances locaux.

Ces appareils sont fabriqués avec un fil d'alimentation neutre blanc et un fil dénudé en cuivre de mise à la terre connecté au châssis.

1. Si les codes locaux permettent la connexion du fil de mise à la terre du châssis au neutre (blanc)

Raccordez le fil de cuivre dénudé et le fil blanc du câble d'alimentation de l'appareil ensemble, et au fil neutre dans la boîte de jonction. Raccordez les autres fils du câble d'alimentation, selon leur couleur respective à leur correspondant dans la boîte de jonction (Figure 2).

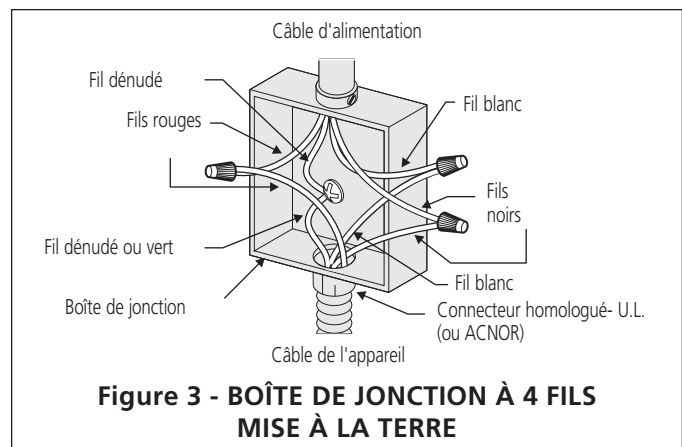


⚠ AVERTISSEMENT La connexion inappropriée du circuit résidentiel en aluminium à des fils en cuivre peut entraîner un court-circuit ou un feu. N'utilisez que des connecteurs conçus pour joindre des fils de cuivre à ceux d'aluminium, en suivant bien attentivement les directives recommandées par le fabricant.

⚠ AVERTISSEMENT Mise à la terre du châssis au neutre. Si l'appareil est utilisé dans une maison mobile, un nouveau branchement (1996 NEC), un véhicule récréatif ou si les codes locaux n'autorisent pas la connexion du conducteur de mise à la terre du châssis au neutre, référez-vous à la figure 3.

2. Si l'appareil est utilisé dans une maison mobile, ou si les codes locaux N'AUTORISENT PAS une connexion du conducteur de mise à la terre du châssis au neutre (blanc), séparez le fil blanc du fil dénudé en cuivre de mise à la terre du câble d'alimentation de l'appareil. Raccordez le fil blanc du câble d'alimentation de l'appareil au fil blanc de la boîte de jonction. Connectez les fils rouge et noir du câble d'alimentation au fil de couleur correspondante dans la boîte de jonction. Le fil dénudé doit être utilisé pour la mise à terre de l'appareil en accord avec les normes électriques locales applicables. Connectez le fil dénudé en cuivre de mise à la terre au fil de mise à la terre du panneau principal. NE connectez pas le fil de mise à la terre à un tuyau d'alimentation de gaz. Ne branchez pas l'appareil au circuit électrique avant qu'il soit mis à la terre correctement, en permanence. Branchez le conducteur de mise à la terre avant de mettre l'appareil sous tension (Figure 3).

⚠ ATTENTION Si la connexion a été faite en utilisant un système électrique à 4 fils, le châssis de l'appareil NE DOIT PAS être branché au fil neutre du câble à 4 fils.



ÉLECTRICIEN: Le câble gainé fourni avec cet appareil est homologué par l'ACNOR pour connexion à des circuits résidentiels de fils de calibre supérieur. La capacité thermique de l'isolant des câbles excède considérablement celle des circuits résidentiels. La transmission du courant électrique maximum permise des fils du câble est fonction de la capacité thermique de la gaine plutôt que du calibre du fil.

INSTRUCTIONS D'INSTALLATION POUR FOUR ENCASTRÉ ÉLECTRIQUE

4. Enlever la porte du four

Enlever les portes, grilles de four et supports de grilles pour réduire le poids de l'appareil et ainsi faciliter sa manipulation et son installation. (Référez-vous au manuel d'utilisation pour les instructions).

IMPORTANT

Ne soulevez pas le four encastré par la poignée de la porte.

NOTE: La porte du four est très lourde. Assurez-vous de l'agripper fermement avant de la soulever hors des fentes des charnières. Faites attention une fois que la porte est enlevée. N'étendez pas la porte sur sa poignée. Cela pourrait lui causer des dommages ou la briser.

5. Installation dans l'armoire

⚠ AVERTISSEMENT

Risque de lourde charge

- Soyez 2 personnes ou plus pour installer ou déplacer l'appareil.
- Des blessures ou des dommages à l'appareil peuvent survenir si vous ne suivez pas cette instruction.

⚠ AVERTISSEMENT Le four encastré peut basculer quand les portes sont ouvertes. Il faut le fixer à l'armoire, les supports de fixations fournis avec le four encastré, pour prévenir le basculement du four et des blessures corporelles.

Instructions d'installation des supports de fixation

1. Déballez le four encastré et récupérez les 2 supports et les vis de fixation compris dans l'emballage contenant la littérature.
2. Installez les supports de fixation tel qu'indiqué à la figure 4. **Note:** Pour éviter d'endommager l'armoire, il est recommandé de percer des trous de 1/16" (0.16 cm) de diamètre avant de fixer les supports de fixation.

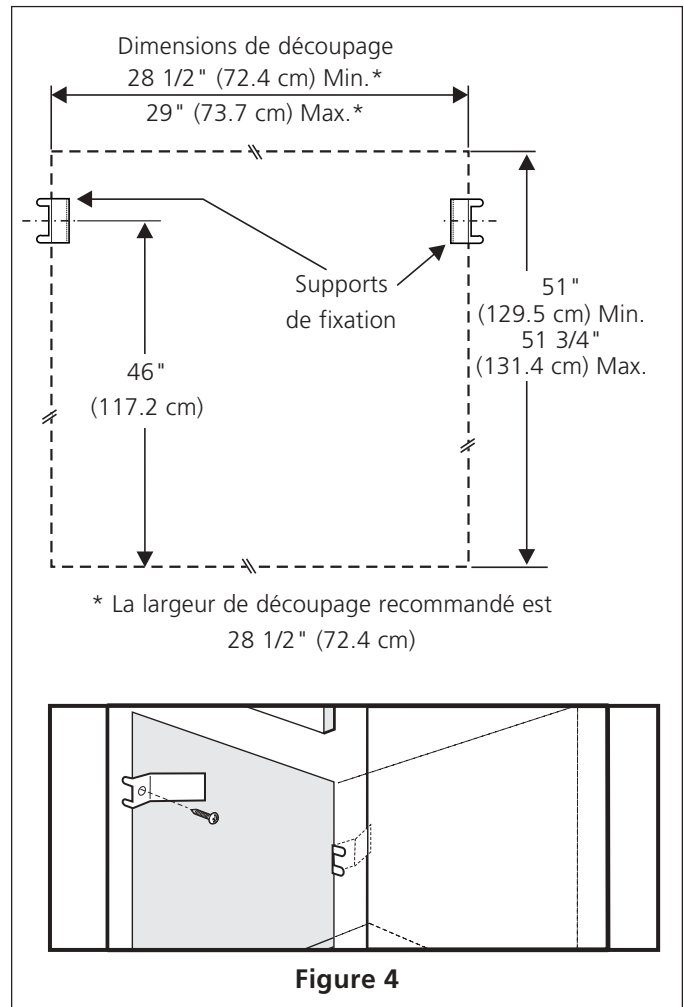
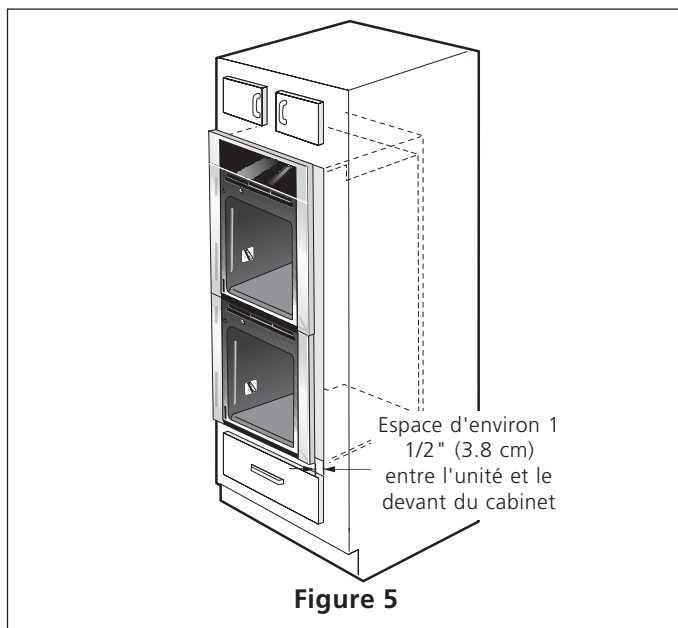


Figure 4

INSTRUCTIONS D'INSTALLATION POUR FOUR ENCASTRÉ ÉLECTRIQUE

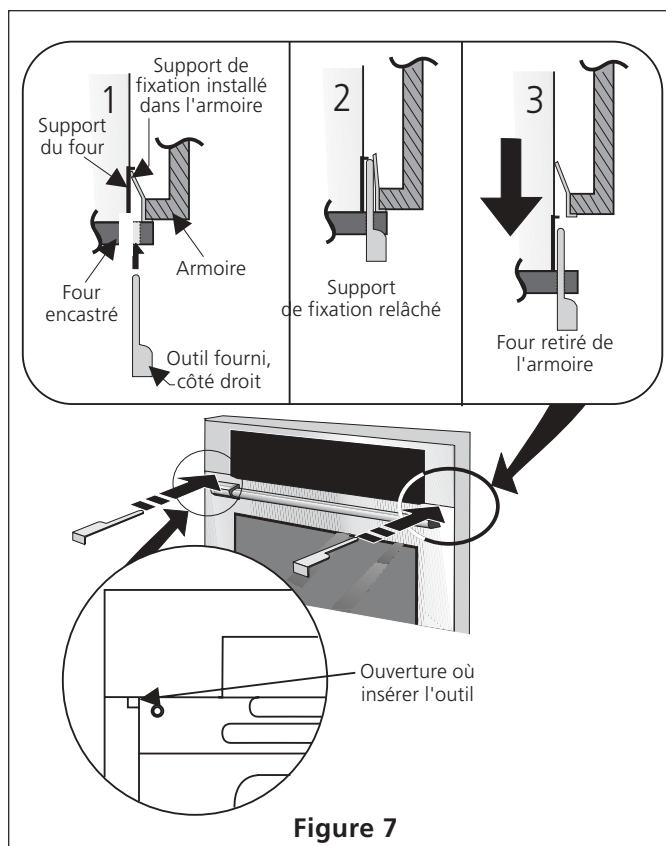
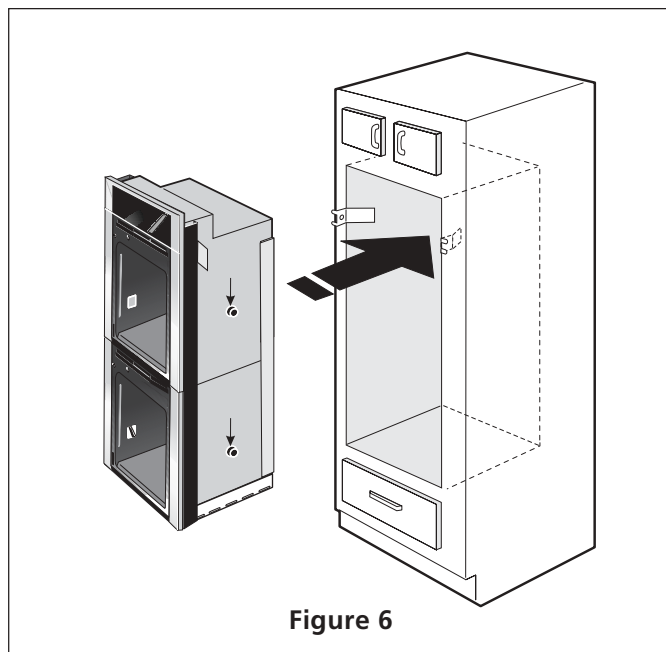
3. Insérez l'unité dans le découpage de l'armoire. Glissez l'unité vers l'intérieur en laissant un espace de 1 1/2" (3.5 cm) entre le four et le devant de l'armoire (voir figure 5). Tout en glissant l'appareil vers l'intérieur, tirez le câble gainé à travers le trou du plancher de l'armoire et vers la boîte de jonction.



4. Poussez l'appareil à l'intérieur contre l'armoire, les supports de fixation situés sur le côté de l'appareil se fixeront derrière ceux qui viennent d'être installés au cabinet (voir la figure 6).

Remettre les supports de grilles, grilles de four et portes en place. (Référez-vous au manuel d'utilisation pour les instructions).

Pour retirer le four du cabinet pour l'entretien, insérez les outils fournis avec l'appareil dans les ouvertures situées sur les côtés du châssis et visibles lorsque la porte est ouverte (voir la figure 7).



6. Vérification du fonctionnement

Si votre appareil possède une **commande électronique de four**. Toutes les fonctions qu'elle contrôle ont été vérifiées en usine pour leur bon fonctionnement avant que l'appareil soit expédié. Cependant, nous vous suggérons de vérifier le fonctionnement de la commande électrique à nouveau. Reportez-vous à votre [Manuel d'utilisation et d'entretien](#) ou au [feuillet minuterie](#) pour le réglage de la commande électronique.

1. Retirez tous les items du four avant de procéder à la vérification.
2. Mettez l'appareil sous tension.
3. Vérifiez les opérations de la commande électronique:

Cuisson—Vérifier que lorsque le four est en fonction cuisson, l'élément de cuisson chauffe. 20 secondes après avoir programmé le four en mode cuisson, si en ouvrant la porte vous sentez de la chaleur s'échapper du four, c'est qu'il fonctionne.

Grillage—L'élément du haut rougit lorsque le four est réglé pour le mode grillage.

Convection —Si le four est réglé pour la cuisson ou le rôtissage par convection, les deux éléments cyclent et le ventilateur convection situé à l'arrière tourne. Le ventilateur convection arrête lorsque l'on ouvre la porte du four.

REMARQUE IMPORTANTE: Un ventilateur fonctionne dès que le four est mis en marche.

Emplacement du numéro de modèle et de série

La plaque signalétique est située sur le côté intérieur de la moulure latérale.

Pour toute commande de pièces ou demande de renseignement au sujet de votre appareil, assurez-vous d'inclure le numéro de modèle et de série, ainsi que le numéro ou lettre de lot de la plaque signalétique de votre four.

Avant d'appeler le service d'entretien

Réviser la liste de vérifications préventives et les instructions d'opération dans votre [Manuel d'utilisation et d'entretien](#). Vous sauvez probablement du temps et de l'argent. La liste contient les incidents ordinaires ne résultant pas de défauts dans le matériel ou la fabrication de cet appareil.

Pour obtenir nos adresse et numéro de téléphone sans frais, référez-vous à la garantie et aux renseignements sur les services d'entretien dans votre [Manuel d'utilisation et d'entretien](#). Prière de nous téléphoner ou de nous écrire pour toute demande d'information au sujet de votre appareil et/ou si vous désirez commander des pièces.

INSTRUCTIONS D'INSTALLATION POUR FOUR ENCASTRÉ ÉLECTRIQUE

NOTES