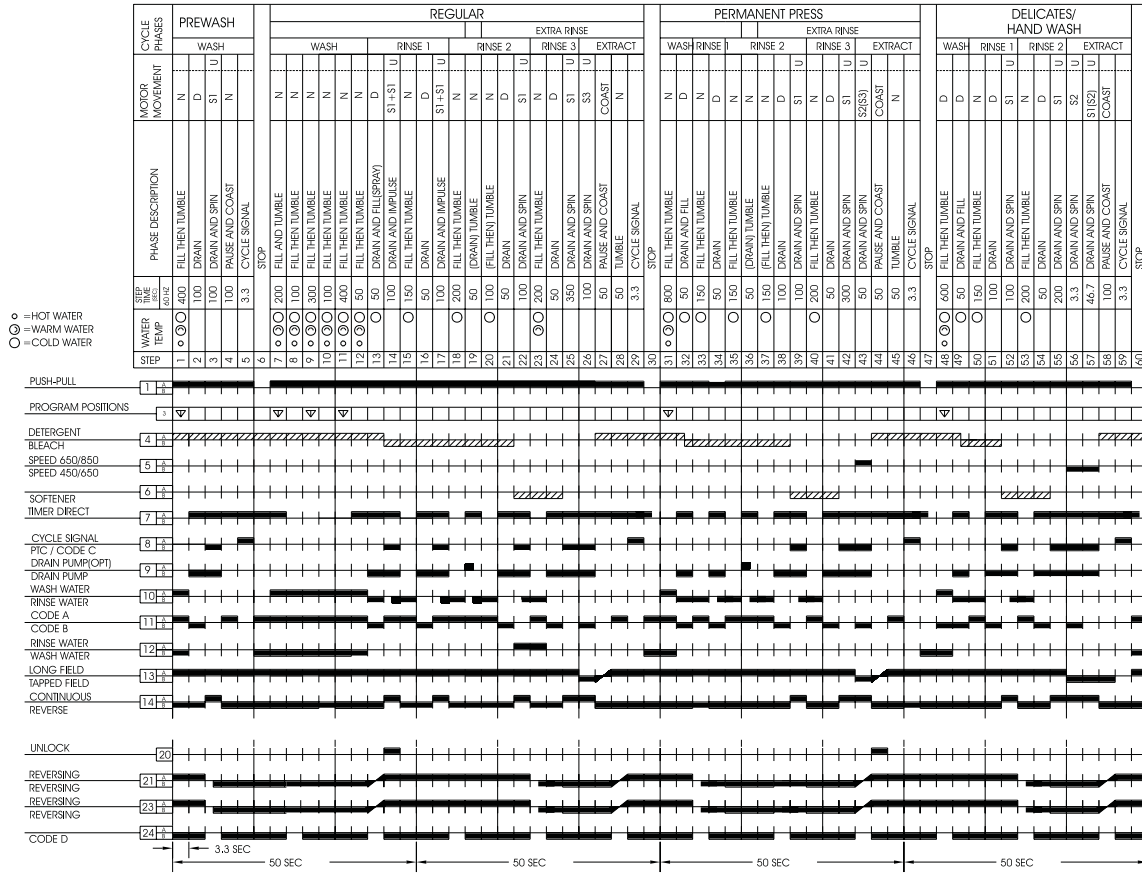
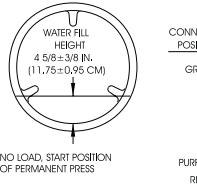
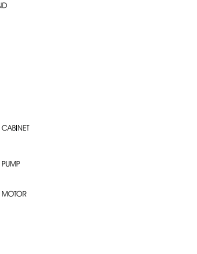
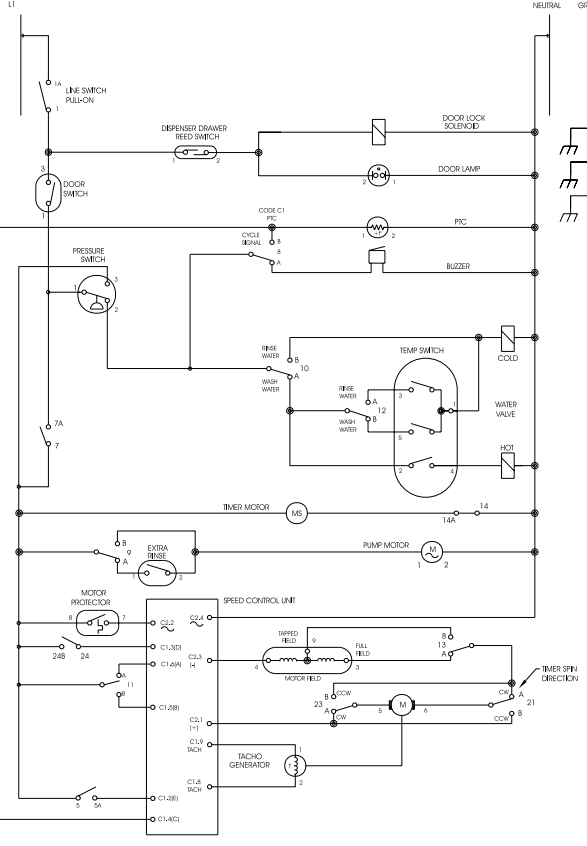




- = HOT WATER
- ◐ = WARM WATER
- ◑ = COLD WATER



NOTES:
 1. STEP TIME IN STEP 9 WILL BE 994.7 SEC (14.945 MIN) AT 60 Hz WHEN THE PROGRAM CYCLE SPARKS IN STEP 9.
 2. STEP TIME IN STEP 11 WILL BE 346.7 SEC (5.778 MIN) AT 60 Hz WHEN THE PROGRAM CYCLE SPARKS IN STEP 11.



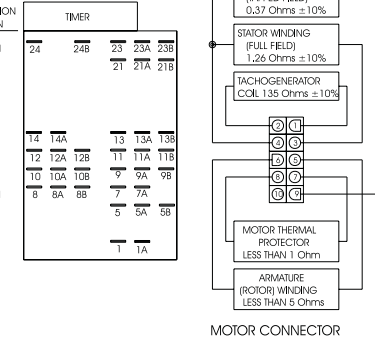
WATER TEMPERATURE SWITCH CIRCUIT	
WASH/RINSE	1-3 / 1-5 / 2-4
C/C	X
W/C	X
W/W	X
H/C	X

WIRING CODES	
+	CONNECTION
+	NO CONNECTION
⊥	CABINET GROUND

COMPONENT RESISTANCE TABLE	
ELECTRICAL COMPONENT	RESISTANCE Ω ± 10% @ 77(25°C)
WATER VALVE SOLENOIDS	880
DOOR LOCK SOLENOID	380
TIMER MOTOR	2070
PUMP MOTOR	4.6

SPEED CONTROL UNIT OPERATION							
DRUM RPM	PHASES DESCRIPTION	CODE	E	D	C	B	A
0	NO ACTION	/	X	0	0	0	X
0	NO ACTION	/	X	X	0	0	0
0	NO ACTION	/	X	0	0	1	X
0	NO ACTION	/	X	X	0	1	1
0	NO ACTION	/	X	0	X	1	1
0	NO ACTION	/	X	X	1	1	1
52	AGIT - CONTINUOUS	N	X	1	0	0	1
52	AGIT - DUTY CYCLE	D	X	1	0	1	0
450	INTERVAL SPIN	S1+S2	X	X	1	0	1
450	SPIN - CONTINUOUS	S1	X	X	1	0	0
650	SPIN - CONTINUOUS	S2	1	X	1	1	0
850	SPIN - CONTINUOUS	S3	0	X	1	1	0

1=120 VAC 0=0 VAC X=DO NOT CARE (1 OR 0)



WARNING TO REDUCE THE RISK OF ELECTRICAL SHOCK DISCONNECT THIS APPLIANCE FROM THE POWER SUPPLY BEFORE ATTEMPTING ANY USER MAINTENANCE. TURNING THE CONTROLS TO THE OFF POSITION DOES NOT DISCONNECT THIS APPLIANCE FROM THE POWER SUPPLY.

WIRING DIAGRAM
P/N 131741900