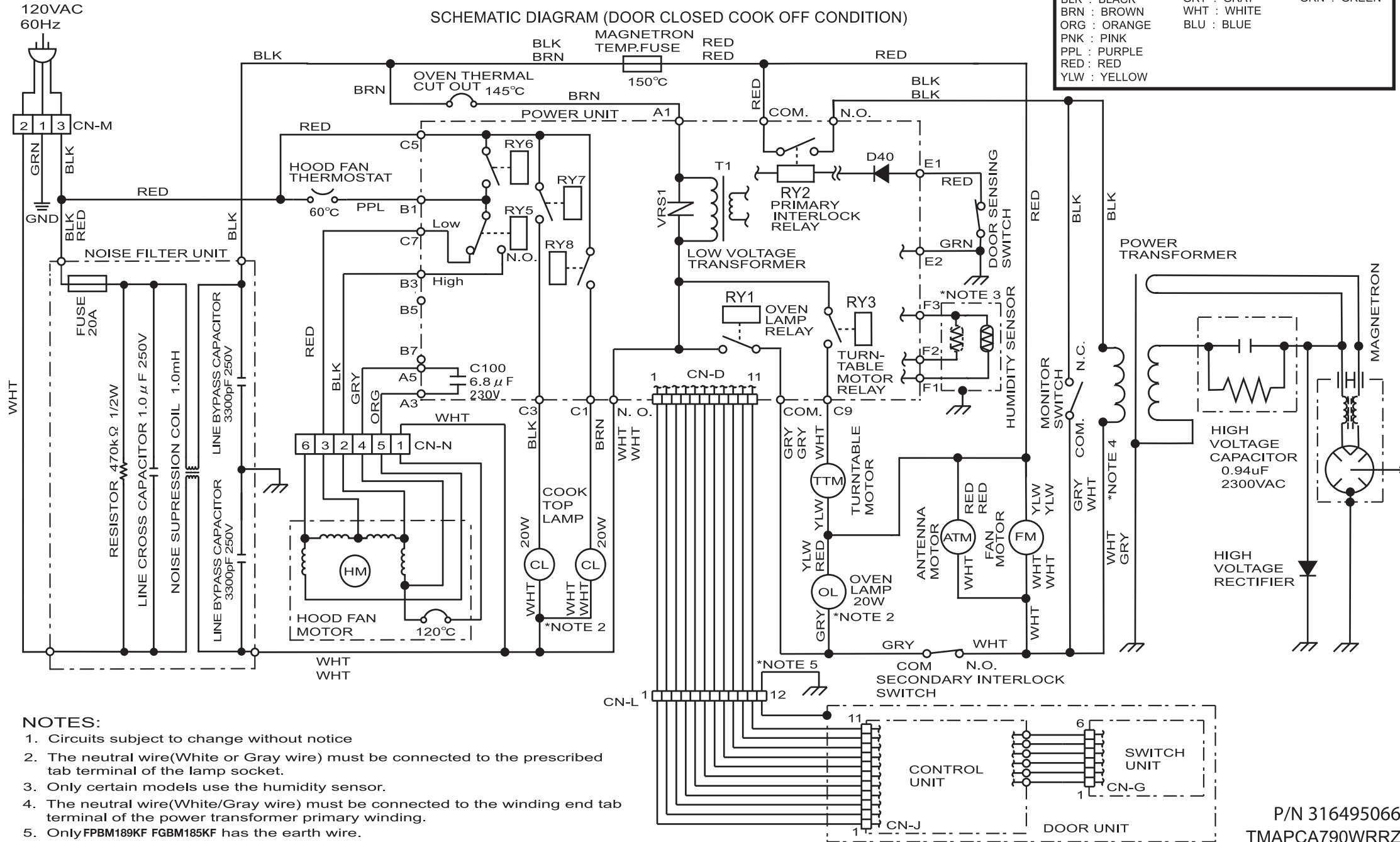


MODEL: FPBM189KF/FGBM185KF/FGBM185KW/FGBM185KB/FGBM187KW/FGBM187KB

LEAD WIRE COLOR CODE		
BLK : BLACK	GRY : GRAY	GRN : GREEN
BRN : BROWN	WHT : WHITE	
ORG : ORANGE	BLU : BLUE	
PNK : PINK		
PPL : PURPLE		
RED : RED		
YLW : YELLOW		



- NOTES:**
1. Circuits subject to change without notice
 2. The neutral wire(White or Gray wire) must be connected to the prescribed tab terminal of the lamp socket.
 3. Only certain models use the humidity sensor.
 4. The neutral wire(White/Gray wire) must be connected to the winding end tab terminal of the power transformer primary winding.
 5. Only FPBM189KF FGBM185KF has the earth wire.

P/N 316495066
TMAPCA790WRRZ