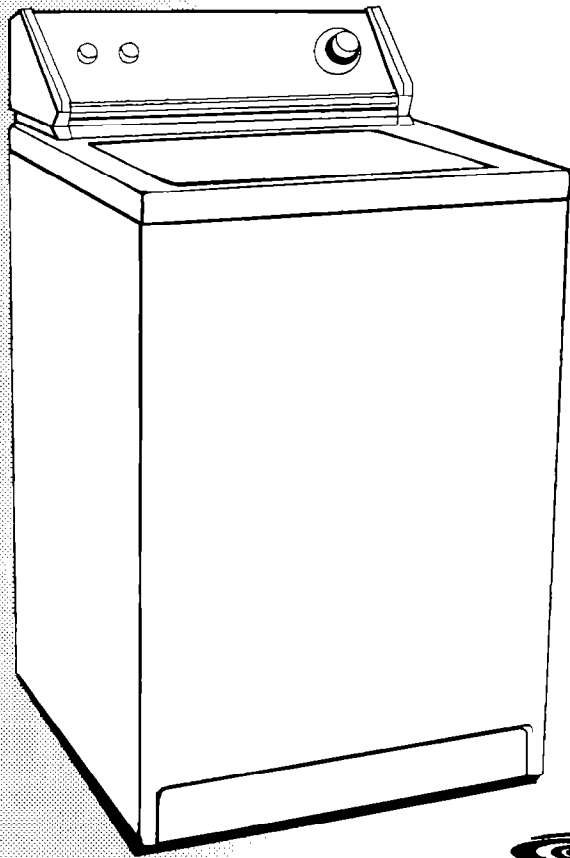


# ✓ Installation Instructions



**240-volt  
50-Hz  
Suds Saver®  
Washer**



**IMPORTANT:  
Read and save these instructions.**

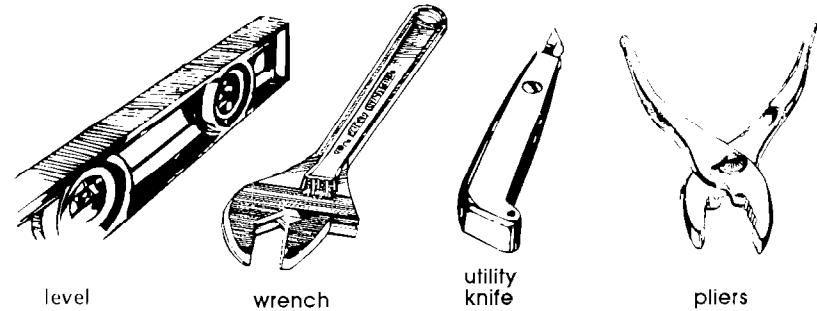
**IMPORTANT:**

**Installer:** Leave Installation Instructions with the homeowner.

**Homeowner:** Keep Installation Instructions for future reference.

**Save Installation Instructions for local electrical inspector's use.**

# ✓ Tools needed for installation:



level

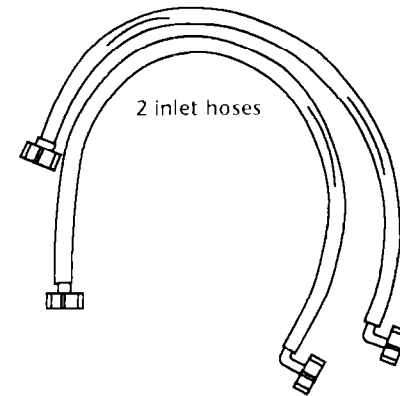
wrench

utility  
knife

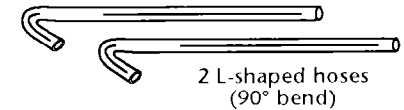
pliers

# ✓ Parts supplied for installation:

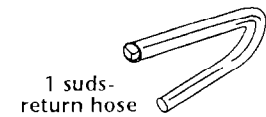
Remove parts from packages. Check that all parts were included.



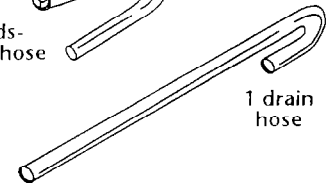
2 inlet hoses



2 L-shaped hoses  
(90° bend)



1 suds-  
return hose

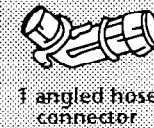


1 drain  
hose

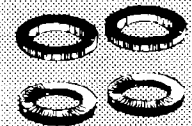
literature package



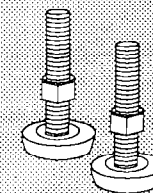
6 hose clamps



1 angled hose  
connector



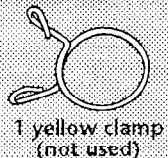
4 flat water  
hose washers



2 front leveling legs  
with nuts



1 straight hose  
connector



1 yellow clamp  
(not used)

# Before you start...

## Location of washer:

**Check location** where washer will be installed. Make sure you have everything necessary for correct installation. Proper installation is your responsibility.

**Earthed electrical outlet** is required. See "Electrical requirements," Panel A.

The hot and cold water inlets on the back of the washer have 3/4 — 1 1/2 American hose coupling standard threads.

**Support:** Floor must be sturdy enough to support washer weight of 143kg (315 pounds).

**Important: Observe all governing codes and ordinances.**

**Level floor:** Maximum slope under entire washer — 2.5cm (1 inch).

**Do Not store or operate washer below 0°C (32°F)** (some water may remain in washer). See Use & Care Guide for "Winterizing" information.

**Hot and cold water faucets:** Must be within 122cm (4 feet) of the back of the washer and provide water pressure 34.5-689.6 kPa (5-100 psi).

**Water heater:** Set to deliver 60°C (140°F) water to washer.

## Recessed area instructions...

This washer may be installed in a recessed area or closet.

The installation dimensions shown are the minimum spaces allowable. Additional spacing should be considered for ease of installation and servicing.

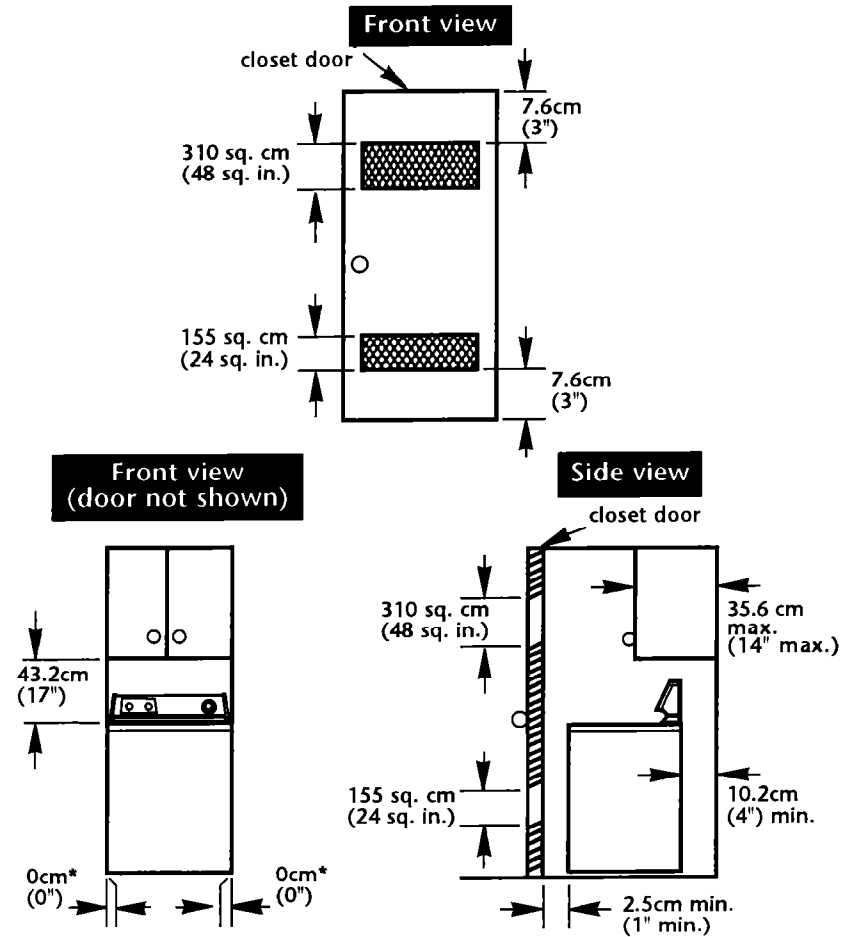
If closet door is installed, the minimum air openings in top

and bottom of door are required. Louvered doors with air openings in top and bottom are acceptable.

Companion appliance spacing should be considered.

### Minimum installation spacing

\* Additional clearances for wall, door and floor moldings may be required.



## Drain system:

Untape and open washer lid. Remove packages and hoses from washer.

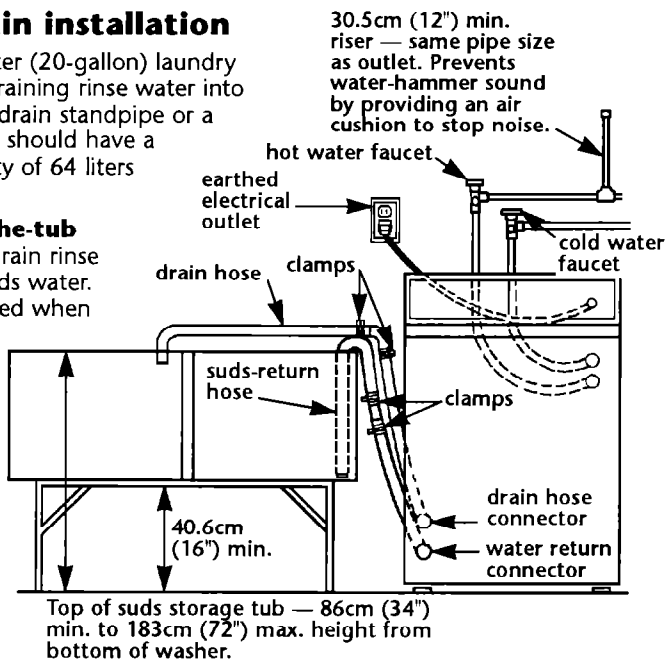
### 1. Laundry tub drain installation

**Suds storage:** Needs a 76-liter (20-gallon) laundry tub to hold the suds while draining rinse water into another laundry tub, a floor drain standpipe or a floor drain system. Tub drain should have a minimum carry-away capacity of 64 liters (17 gallons) per minute.

**A single tub with an in-the-tub standpipe** can be used to drain rinse water while the tub holds suds water. The standpipe can be removed when not in use.

In-the-tub standpipe (Part No. 89121) is available from your authorized parts distributor.

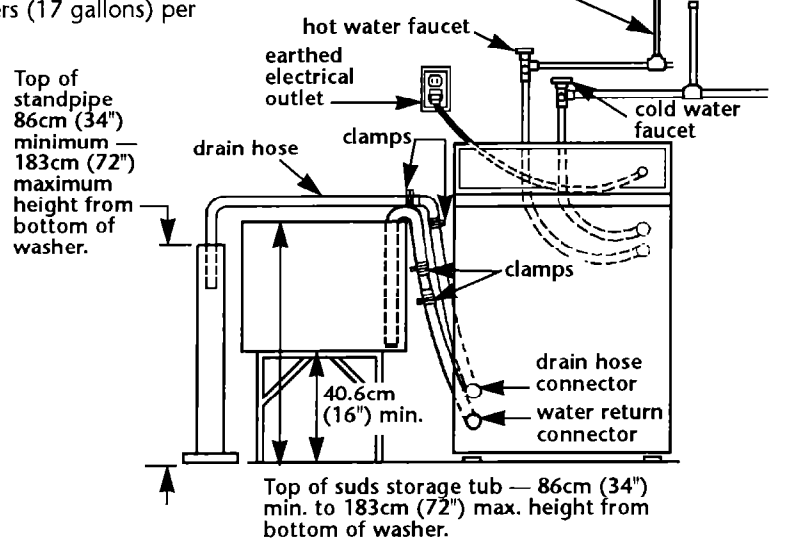
**Floor drain system** requires a siphon breaker, Part No. 285320, available from your authorized parts distributor.



### 2. Standpipe and laundry tub installation

**Standpipe drain system:** Needs a 5.1cm (two-inch) minimum diameter standpipe with minimum carry-away capacity of 64 liters (17 gallons) per minute.

30.5 cm (12") min. riser — same pipe size as outlet. Prevents water-hammer sound by providing an air cushion to stop noise.



## Electrical requirements

### WARNING

#### Electrical Shock Hazard

Electrical earth is required on this washer. Do Not earth to a gas pipe. Do Not change the power supply cord plug. If it does not fit the outlet, have a proper outlet installed by a qualified electrician.

Failure to follow these instructions could result in death or serious injury.

Do Not use an extension cord with this washer. Do Not have a fuse in the neutral or earthing circuit. Check with a qualified electrician if you are not sure the washer is properly earthed.

Prefix "6" models.  
 240-volts, 4.0 amps.  
 50-Hz., 8 amp. fuse.

A fused electrical supply is required. Time-delay fuse or circuit breaker is recommended. It is recommended that a separate circuit serving only this appliance be provided.

## Recommended earthing method

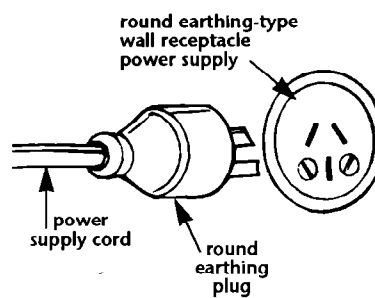


Figure 1

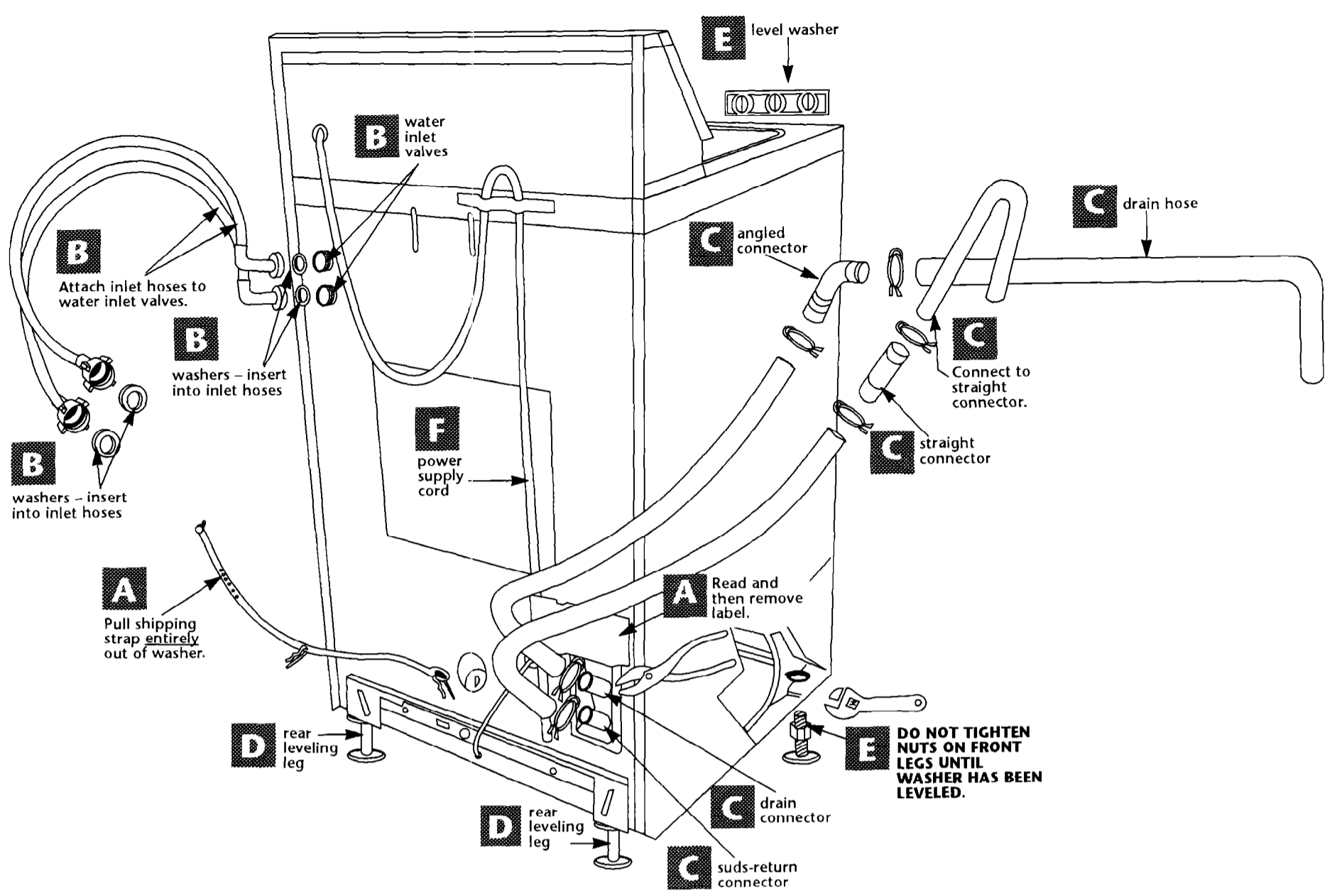
For your personal safety, this appliance must be earthed. This appliance is equipped with a power supply cord having an earthing plug.

Return to supplier for repair of electrical supply cord.

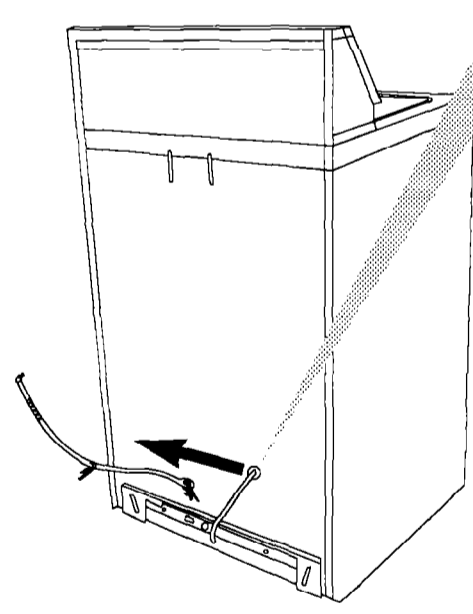
To minimize possible shock hazard, the cord must be plugged into a mating earthing-type wall receptacle, earthed in accordance with local codes and ordinances. If a mating wall receptacle is not available, it is the personal responsibility and obligation of the customer to have the proper earthed wall receptacle installed by a qualified electrician. See Figure 1 to determine the proper mating wall receptacle for the power supply cord plug equipped with this washer.

If codes permit and a separate earthing wire is used, it is recommended that a qualified electrician determine that the earthing path is adequate.

**Now start... With washer in laundry area.**



**A Preparation:**



**Remove shipping strap.**

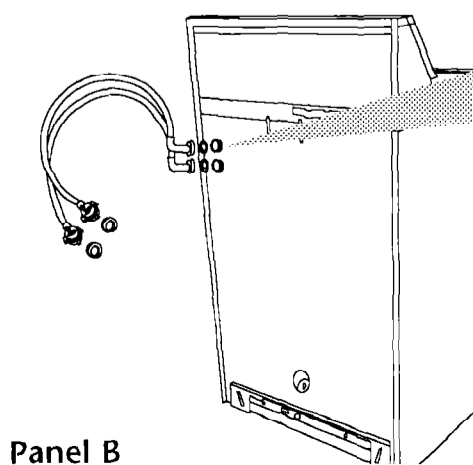
**1.** Completely remove the shipping strap with 2 cotter pins from the inside of the washer.

**2.** Read, then remove label that covers power supply cord and drain connectors. Peel the tape down and off each side of cabinet.

**Pull the strap completely out of the washer.**

Pull firmly to remove the other end of shipping strap from the back of the washer to release self-leveling legs.

**B Inlet hose connection to washer:**



**Use new hoses and washers that came with your washer.**

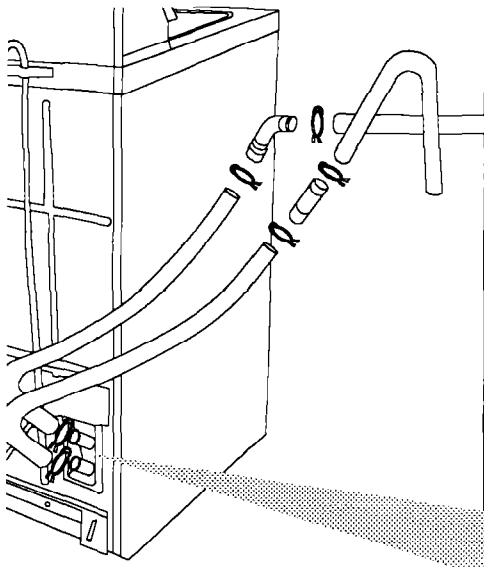
**3.** Insert a flat washer into **each** end of the inlet hoses. Check that washers are firmly seated in couplings.

**4.** Attach hose to bottom inlet valve opening first; then second hose to top inlet valve. Tighten couplings. **DO NOT OVERTIGHTEN;** this could cause damage to couplings. **Elbow end of hoses attaches to washer.**

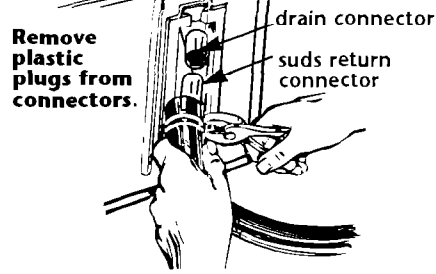
**Inlets are plastic. DO NOT STRIP OR CROSSTHREAD.**

Panel B

## C Drain hose connection:



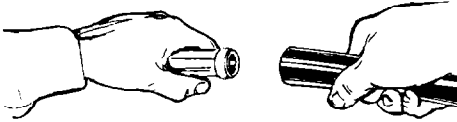
- 5.** Use pliers to slide one hose clamp over bent end of each of the L-shaped (90° bend) hoses.



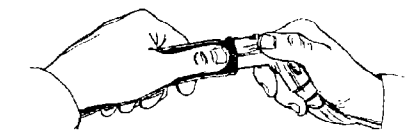
- 6.** Push bent end of one L-shaped hose over bottom connector (suds-return). Make sure the hose is pointed towards the suds-storage tub. Slide hose clamp over hose and suds-return connector.

- 7.** Push bent end of second L-shaped hose over top connector (drain connector). Make sure hose is pointed towards laundry tub or standpipe. Slide hose clamp over hose and drain connector.

**Check that both hoses are not twisted, bent or kinked.**

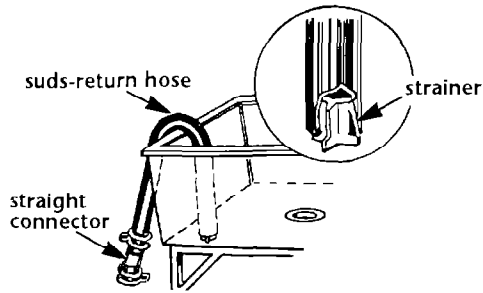


- 8.** Insert straight connector into other end of the lower L-shaped hose. Use pliers to slide one hose clamp over hose and connector.

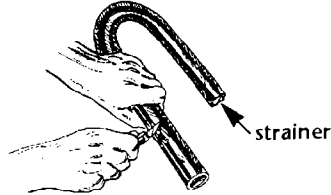


- 9.** Insert angled connector into other end of the upper L-shaped hose. Use pliers to slide one hose clamp over hose and connector.

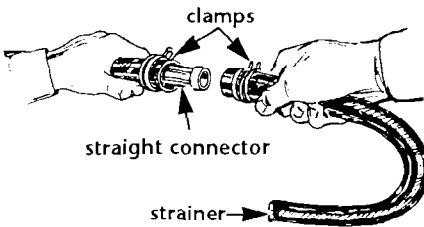
**SLIDE WASHER ONTO CARDBOARD OR HARDBOARD BEFORE MOVING ACROSS FLOOR.**



- 10.** Move washer close to final position. Put strainer end of suds-return hose into suds-storage tub so that strainer touches bottom of tub. Hold other end of suds-return hose against straight connector end of lower, L-shaped suds-return hose. Check for proper length of suds-return hose.



- 11. If suds-return hose is too long:** Measure length of hose needed. Cut end of suds-return hose that attaches to the straight connector.



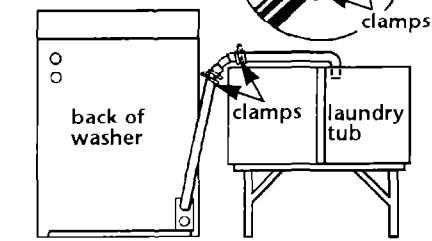
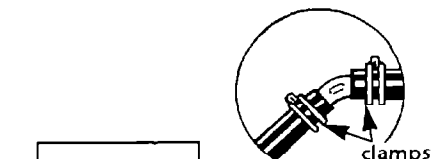
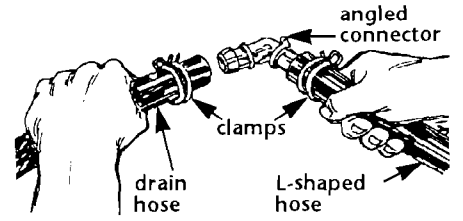
- 12.** Use pliers to slide one hose clamp over open end of suds-return hose. Attach suds-return hose to straight connector. Slide hose clamp over hose and connector. Put strainer end of suds-return hose back into suds-storage tub so that strainer touches bottom of tub.

**Check that hoses are not twisted or kinked. Check that strainer end of hose is touching bottom of tub.**

- 13.** Put "hook" end of drain hose into laundry tub or standpipe. Hold other end of drain hose against upper, L-shaped hose. Check for proper length.

**If drain hose is too long:** Measure length of hose needed. Cut "straight" end of drain hose.

**DO NOT FORCE EXCESS LENGTH OF DRAIN HOSE DOWN THE STANDPIPE. THIS MAY CAUSE SIPHONING.**

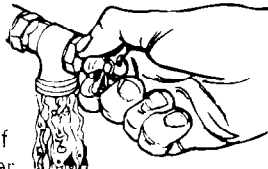


- 14.** Use pliers to slide one hose clamp over end of drain hose. Attach "straight" end of drain hose to angled connector. Slide hose clamp over hose and connector. Put "hook" end of drain hose into laundry tub or standpipe.

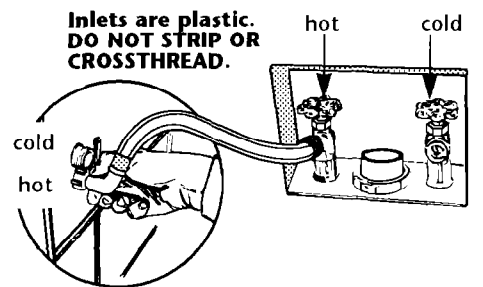
**Check that hoses are not twisted or kinked.**

## D Inlet connection to faucet:

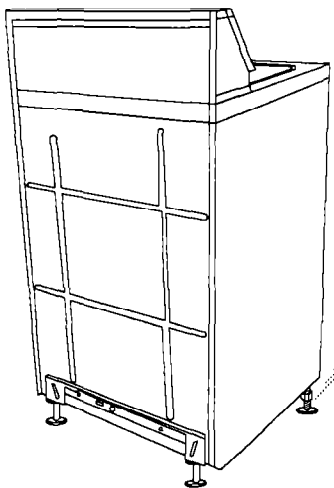
- 15.** Run water through both faucets into a bucket. To get rid of particles in the water lines that might clog hoses. Mark the hot water faucet.



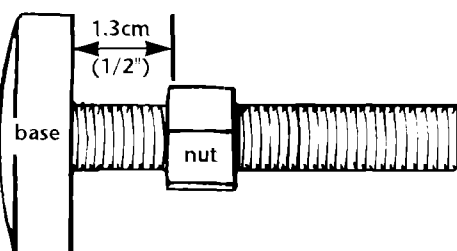
- 16.** Attach bottom hose (inlet marked "H") to hot water faucet. Attach top hose (inlet marked "C") to cold water faucet. Adapters may be necessary to connect the hoses to the faucets. Tighten couplings to faucets. **DO NOT OVERTIGHTEN;** this could cause damage to couplings.



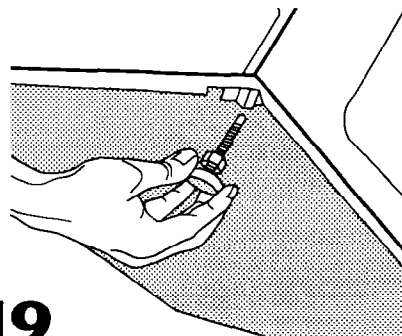
## E Leveling washer:



- 17.** Stack two corner posts on top of each other. Tilt washer backwards and insert corner posts 7.6cm (3 inches) from one side of washer as shown. Repeat with other corner posts on other side of washer.



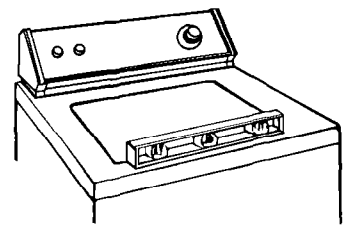
- 18.** Screw nut down on legs to within 1.3cm (1/2 inch) of base.



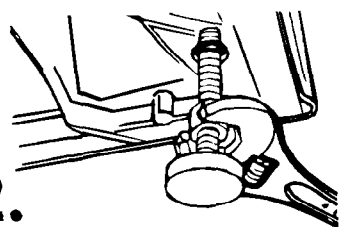
- 19.** Insert legs into correct holes at each front corner of washer until nuts touch washer. **DO NOT** tighten nuts until Step 22.

- 20.** Tilt washer backward and remove corner posts. Gently lower washer to floor.

**Move washer to its final location. Remove cardboard or hardboard from under washer.**



- 21.** Tilt washer forward, raising back legs 2.5cm (1 inch) off of floor to adjust rear self-leveling legs. Gently lower washer to floor. Check levelness of the washer by placing a carpenter's level on top of the washer, first side to side; then front to back.



- 22.** If washer is not level, adjust the front legs up or down. Repeat Step 21.

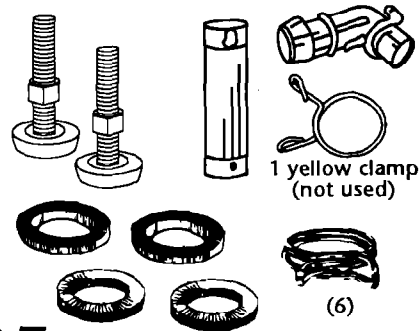
**When washer is level, use wrench to turn nuts on front legs up tightly against washer base. If nuts are not tight against washer base, the washer may vibrate.**

## **F** Completing Installation:

**23.** Check that drain hose is in laundry tub or standpipe and that the strainer end of suds-return hose is touching bottom of suds-storage tub.

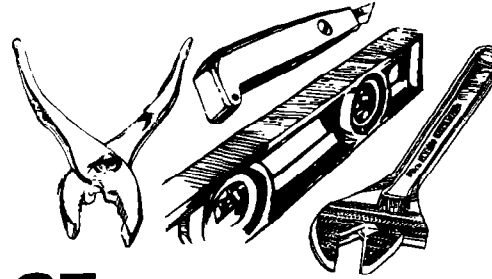
**Note: If washer is moved to adjust drain hose, the washer must be leveled again. Repeat Steps 21-22. Place cardboard under washer and carefully move washer to avoid damaging floor covering.**

**24. CHECK ELECTRICAL REQUIREMENTS. BE SURE YOU HAVE CORRECT ELECTRICAL SUPPLY AND RECOMMENDED EARTHING METHOD.**



**25.** Check that all parts are now installed. If there is an extra part, go back through steps to see which step was skipped.

**26.** Turn on water faucets and check for leaks. Tighten couplings if there is leaking. **DO NOT OVERTIGHTEN;** this could cause damage to couplings.



**27.** Check that you have all of your tools. Check that the shipping strap was removed from the back of the washer and disposed of properly.

**28.** Untape and plug power supply cord into earthed outlet.

**29.** Read the Use and Care Guide. Start the washer and allow it to complete the regular cycle.

## **Congratulations!**

*You have successfully installed your new Whirlpool washer. To get the most efficient use from your new washer, read your Whirlpool Use and Care Guide.*

*Keep Installation Instructions and Guide.*

## **G** Need Assistance?

Call your dealer or local authorized service company.

When you call, you will need the washer model number and serial number. Both numbers are on the model/serial rating plate located under the washer lid and on the top of the washer.

