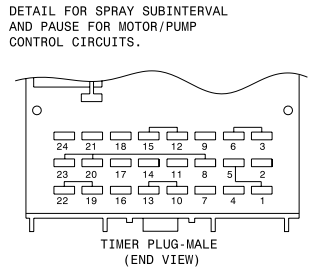
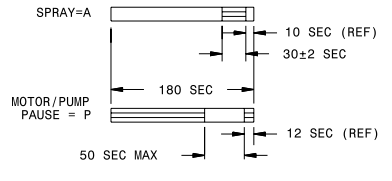
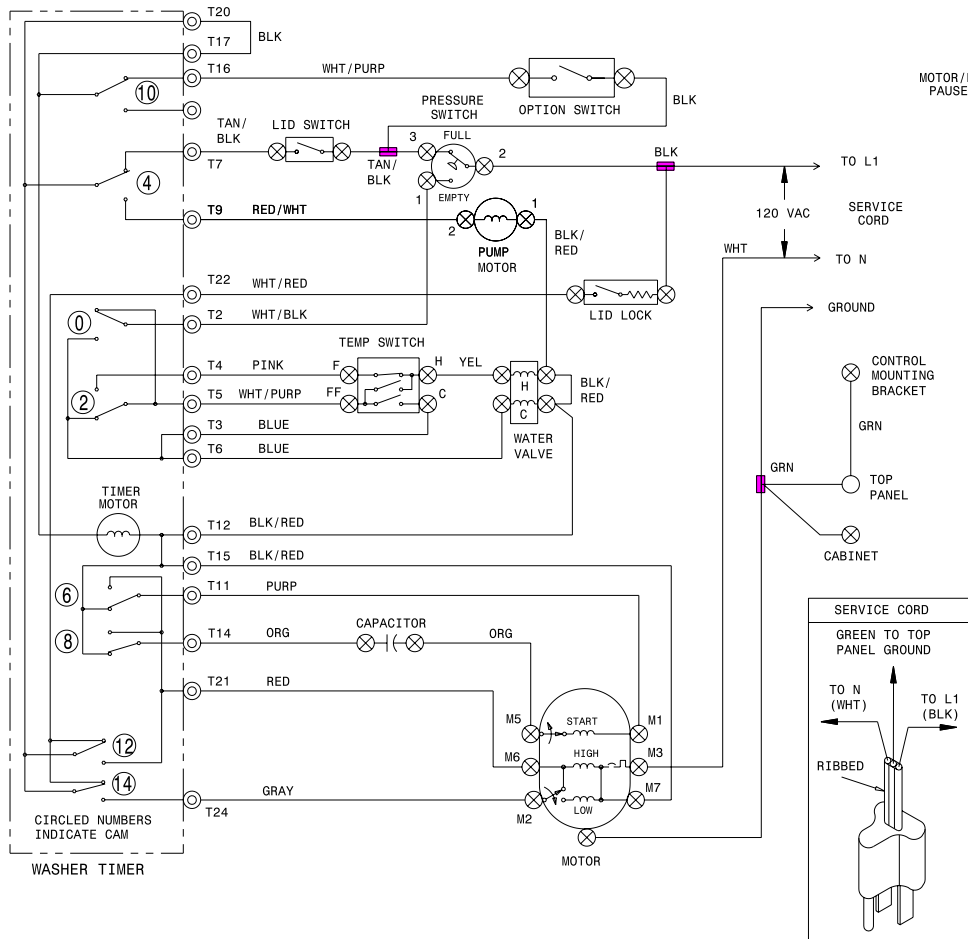
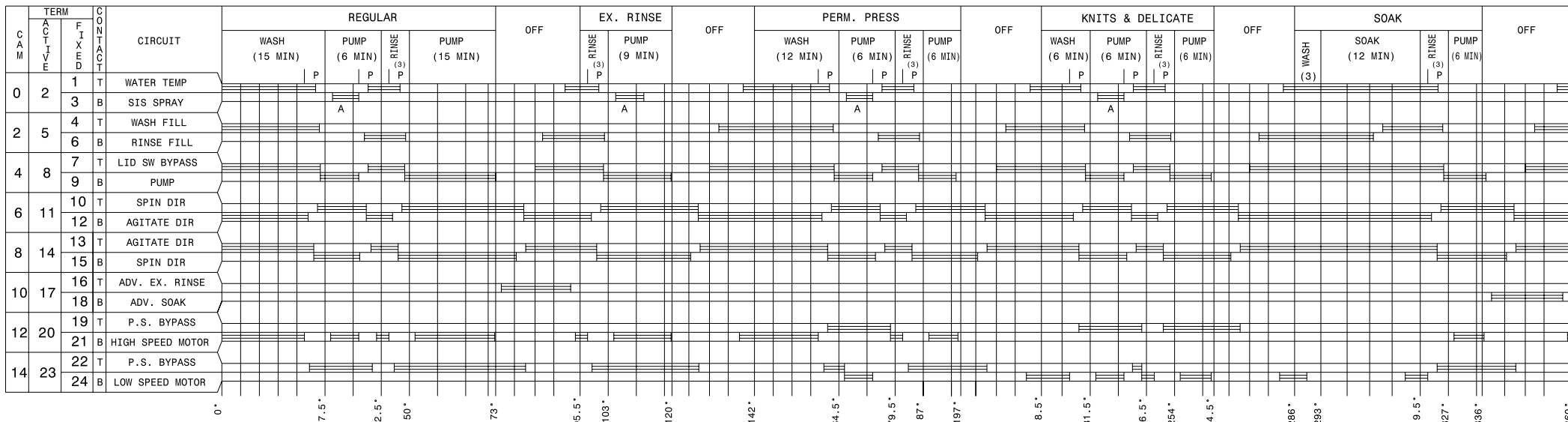
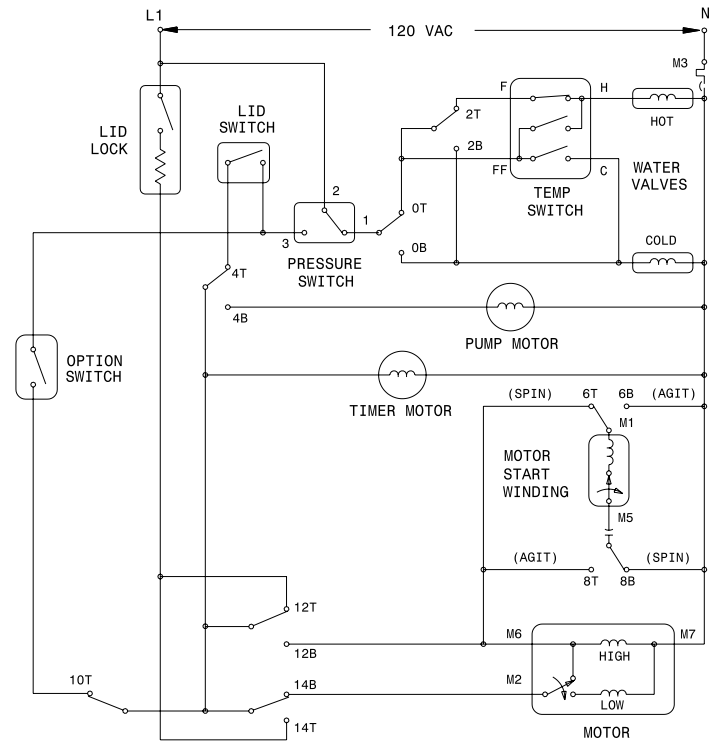


CAUTION: DISCONNECT ELECTRIC CURRENT BEFORE SERVICING



- WIRING CODES**
- ⊙ PLUG IN TIMER TERMINAL
 - ⊗ QUICK DISCONNECT TERMINAL
 - ⊙ SCREW TERMINAL
 - CONNECTION
 - + NO CONNECTION
 - ⊗ MOTOR SWITCH
 - SPLICE
 - MOTOR PROTECTOR
 - CHASSIS (CABINET) GROUND



NOTE:
SUFFIX INDICATES TIMER SWITCH CONTACTS
T= TOP
B= BOTTOM