



Electric Dryer

PRODUCT MODEL NUMBERS

WED9200S	WED9400V
WED9300V	WED9500T
WED9400S	WED9600T

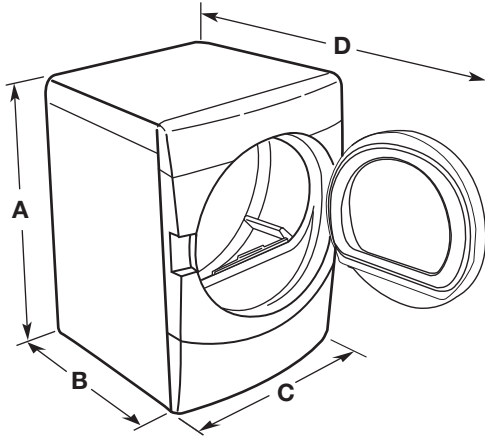
ELECTRICAL

This dryer requires a three- or four-wire, single-phase, 120/240-volt, 60-Hz, AC-only electrical supply (or three- or four-wire, 120/208-volt electrical supply, if specified on the serial/rating plate) on a separate 30-amp circuit, fused on both sides of the line. A time-delay fuse or circuit breaker is recommended. Connect to an individual branch circuit. Do not have a fuse in the neutral or grounding circuit. Do not use an extension cord.

EXHAUST VENTING

Exhaust your dryer to the outside. 4" (10.2 cm) diameter heavy metal exhaust vent and clamps are required. Rigid or flexible heavy metal exhaust vent must be used. The total length of flexible metal vent should not exceed 7-3/4 ft. (2.4 m). Do not use plastic or metal foil vent. Exhaust hood must be at least 12" (30.5 cm) from the ground or any object that may be in the path of the exhaust.

PRODUCT DIMENSIONS

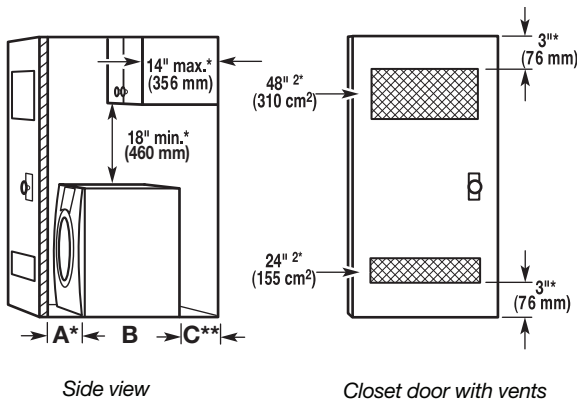


	Steam (Electric or Gas)	Non-Steam (Electric or Gas)
A	38" (9652 mm)	38" (9652 mm)
B	32 9/16" (686 mm)	31 1/2" (800 mm)
C	27" (686 mm)	27" (686 mm)
D	52 9/16" (1335 mm)	51 1/2" (1308 mm)

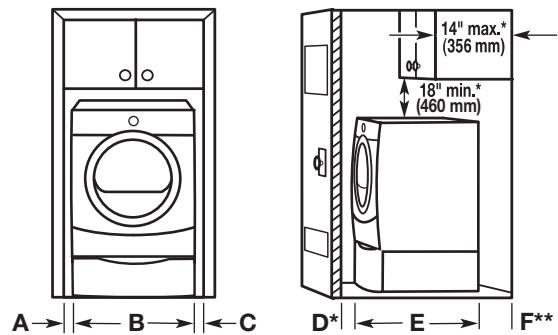
RECESSED AREA AND CLOSET INSTALLATION

For closet installation, with a door, the minimum ventilation openings in the top and bottom of the door are required. Louvered doors with equivalent air ventilation openings in the top and bottom are acceptable.

Closet installation – Dryer only



Recessed or loset installation – Dryer on pedestal



	Steam (Electric or Gas)	Non-Steam (Electric or Gas)
A*	1" (25 mm)	1" (25 mm)
B	32 9/16" (686 mm)	31 1/2" (800 mm)
C**	5" (127 mm)	5" (127 mm)

	Steam (Electric or Gas)	Non-Steam (Electric or Gas)
A	1" (25 mm)	1" (25 mm)
B	27" (686 mm)	27" (686 mm)
C	1" (25 mm)	1" (25 mm)
D*	1" (25 mm)	1" (25 mm)
E	32 9/16" (686 mm)	31 1/2" (800 mm)
F**	5" (127 mm)	5" (127 mm)

*Required spacing

**For side or bottom venting, 0" (0 mm) spacing is allowed

NOTE: Some models are not recommended for recessed or closet installation.

*Required spacing

**For side or bottom venting, 0" (0 mm) spacing is allowed.



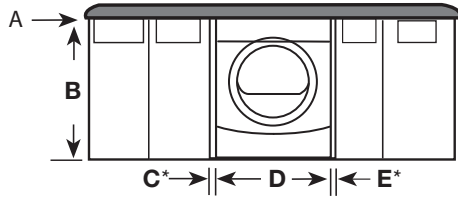
Electric Dryer

PRODUCT MODEL NUMBERS

WED9200S	WED9400V
WED9300V	WED9500T
WED9400S	WED9600T

UNDERCOUNTER INSTALLATION

Dimensions shown are for minimum spacing.



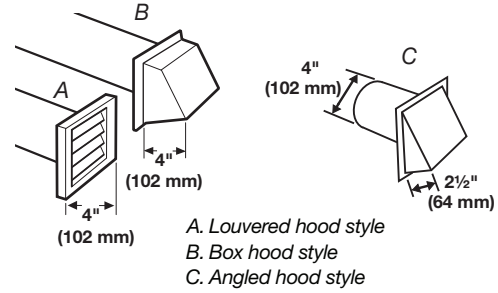
	Steam (Electric or Gas)	Non-Steam (Electric or Gas)
A	0" (0 mm)	0" (0 mm)
B	38" (9652 mm)	38" (9652 mm)
C*	1" (25 mm)	1" (25 mm)
D	27" (686 mm)	27" (686 mm)
E*	1" (25 mm)	1" (25 mm)

*Required spacing

NOTE: Some models are not recommended for undercounter installation.

EXHAUST VENTING

A and B: Recommended hood styles. C: Acceptable hood style.



NOTE: Side and bottom exhaust installations have a 90° turn inside the dryer. To determine maximum exhaust length, add one 90° turn to the chart.

Number 90° elbows	Type of vent	Box /louvered hoods	Angled hoods
0	Rigid metal	64 ft (20 m)	58 ft (17.7 m)
1	Rigid metal	54 ft (16.5 m)	48 ft (14.6 m)
2	Rigid metal	44 ft (13.4 m)	38 ft (11.6 m)
3	Rigid metal	35 ft (10.7 m)	29 ft (8.8 m)
4	Rigid metal	27 ft (8.2 m)	21 ft (6.4 m)

Select the route that will provide the straightest and most direct path outdoors. Plan the installation to use the fewest number of elbows and turns. Use the fewest 90° turns possible.

Do not use vent runs longer than specified in vent length chart. Determine the number of elbows you will need.