

## SERVICE DATA SHEET

### ELECTRIC WALL OVENS WITH MODULAR OVEN CONTROLS

**NOTICE:** This service data sheet is intended for use by persons having electrical and mechanical training and a level of knowledge of these subjects generally considered acceptable in the appliance repair trade. The manufacturer cannot be responsible, nor assume any liability, for injury or damage of any kind arising from the use of this data sheet.

**IMPORTANT NOTE:** This unit includes an EOC (electronic oven control). This board is not field-repairable. Verify the unit has the proper oven relay board, oven user interface board, and touch panel based on the model number and parts catalog.

#### Safe Servicing Practices

To avoid the possibility of personal injury and/or property damage, it is important that safe servicing practices be observed. The following are some, but not all, examples of safe practices.

- Do not attempt a product repair if you have any doubts as to your ability to complete it in a safe and satisfactory manner.
- Before servicing or moving an appliance, remove power cord from electric outlet, trip circuit breaker to Off, or remove fuse.
- Never interfere with the proper installation of any safety device.
- Use only replacement parts specified for this appliance. Substitutions may not comply with safety standards set for home appliances.
- Grounding: The standard color coding for safety ground wires is green or green with yellow stripes. Ground leads are not to be used as current carrying conductors. It is extremely important that the service technician reestablish all safety grounds prior to completion of service. Failure to do so will create a potential hazard.

- Prior to returning the product to service, ensure that:
  - All electric connections are correct and secure.
  - All electrical leads are properly dressed and secured away from sharp edges, high-temperature components, and moving parts.
  - All uninsulated electrical terminals, connectors, heaters, etc. are adequately spaced away from all metal parts and panels.
  - All safety grounds (both internal and external) are correctly and securely reassembled.
  - All panels are properly and securely reassembled.

#### Temperature Adjustment

Refer to the Use & Care Manual for directions on how to adjust the oven temperatures.

#### Modular Control Systems

This appliance is equipped with a modular system of controls. The modular system consists of various boards which communicate with one another to drive cooking functions. Oven functions, if available, operate through an oven user interface (UI or UIB) and an oven relay board. Cooktop functions, if available, operate through a cooktop UI/UIB and a cooktop relay board. There may be additional boards which work within the system to drive specific functions (refer to the schematics and diagrams and this sheet). Low voltage operating and communications power for the modular boards is provided through the wiring schemes. The boards that generate low voltage operating and communications power depend upon the individual control system (refer to the schematics and diagrams on this sheet). These voltages are only the operational voltages. Do not use these voltages as confirmation of communication between the boards. Communication occurs through software programming on each board. This communication is not detectable by volt ohmmeters. The programming is self-monitored and the UI displays will show error codes based on detected failures. The individual boards are not field repairable. See the schematics and diagrams included on this sheet for more unit-specific details.

CIRCUIT ANALYSIS MATRIX	Elements			Door Motor J20-10	Light J20-6	Conv. Fan Low Speed J20-9, J19-6	Conv. Fan High Speed J19-2, J19-3	Cooling Fan Low Speed J20-7	Cooling Fan High Speed J20-8	Door Switch J5-9	DLB L2 out K1
	Bake P7	Broil K2	Conv. P8								
Bake	X	X	X			X	X	X	X		X
Broil		X						X	X		X
Conv. Bake	X	X	X			X	X	X	X		X
Conv. Roast	X	X	X			X	X	X	X		X
Air Sous Vide			X			X	X	X	X		X
Clean	X	X						X	X		X
Locking				X							
Unlocking				X							
Light					X						
Door Open					X						
Door Closed										X	

NOTES: Bake, broil, and convection elements alternate cycles. Convection fans may run during preheat and may run intermittently during non-convection functions to improve cooking performance.

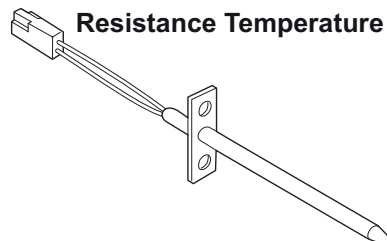
#### MEAT PROBE TEMPERATURE VS RESISTANCE TABLE

Temperature	Probe Resistance
77 °F / 25°C	50.020 Kohm +/- 6%
122 °F / 50°C	18.020 Kohm +/- 5%
176 °F / 80°C	6.290 Kohm +/- 5%
212 °F / 100°C	3.400 Kohm +/- 5%

#### RTD SCALE

Temperature °F (°C)	Resistance (ohms)
32 ± 1.9 (0 ± 1.0)	1000 ± 4.0
75 ± 2.5 (24 ± 1.3)	1091 ± 5.3
250 ± 4.4 (121 ± 2.4)	1453 ± 8.9
350 ± 5.4 (177 ± 3.0)	1654 ± 10.8
450 ± 6.9 (232 ± 3.8)	1852 ± 13.5
550 ± 8.2 (288 ± 4.5)	2047 ± 15.8
650 ± 9.6 (343 ± 5.3)	2237 ± 18.5
900 ± 13.6 (482 ± 7.5)	2697 ± 24.4
Probe circuit to case ground	Open circuit/infinite resistance

#### Resistance Temperature Detector

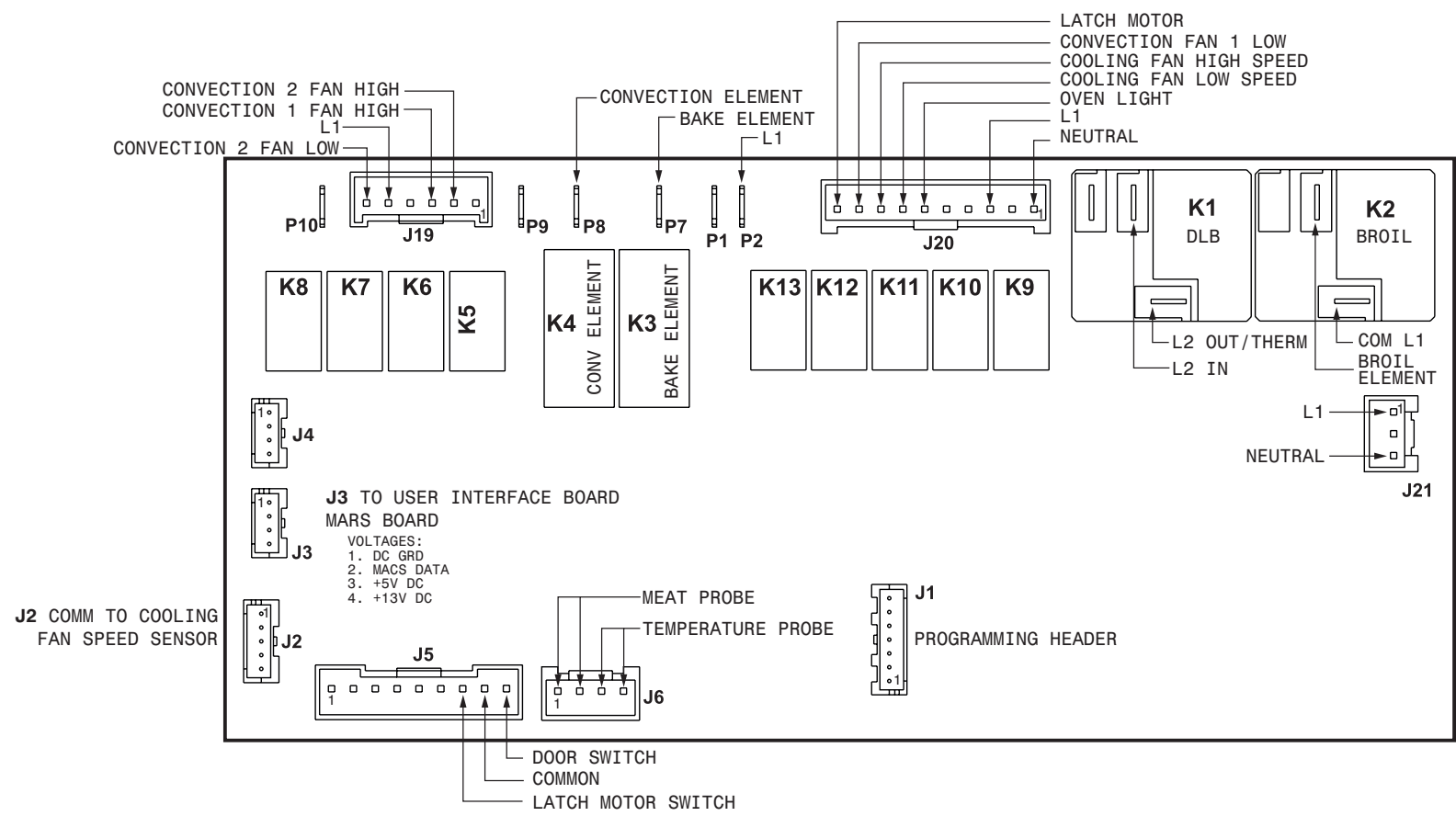
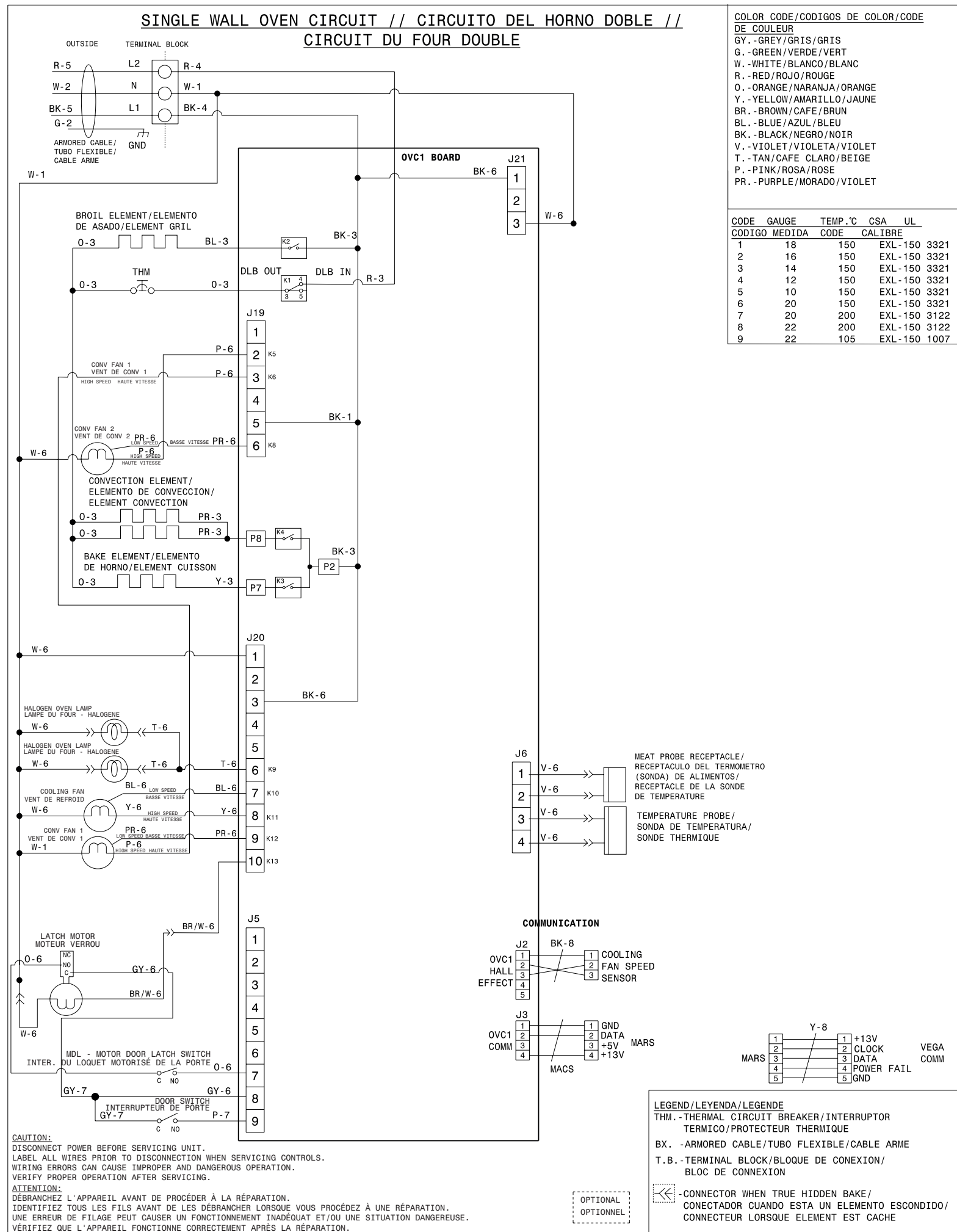


**IMPORTANT**  
**DO NOT REMOVE THIS BAG**  
**OR DESTROY THE CONTENTS**  
**WIRING DIAGRAMS AND SERVICE**  
**INFORMATION ENCLOSED**  
**REPLACE CONTENTS IN BAG**

## ELECTRONIC OVEN CONTROL (EOC) FAULT CODE DESCRIPTIONS

Fault Code	Description of Error Code	Suggested Corrective Action
F01 F02 F04 F05	Touch panel failure	Disconnect power, wait 30 seconds and reapply power. If fault returns upon power-up replace the control assembly (UIB and touch panel).
F03	The oven user interface board is incorrectly configured.	Replace the control assembly (UIB and touch panel). Make sure you install the latest revision available for this model.
F10	Oven temperature runaway: the cavity temperature has been detected in excess of the maximum safe operating temperature.	<ol style="list-style-type: none"> <li>If oven is overheating, disconnect power. Check oven temperature probe (RTD) and replace if necessary.</li> <li>If the oven temperature probe is good and if oven continues to overheat when power is reapplied, replace the oven relay board.</li> </ol>
F11	Stuck key: a key has been detected has pressed continuously for 30 seconds or more.	<ol style="list-style-type: none"> <li>If a key was pressed inadvertently for a long time this error code will be displayed. Make sure there is nothing (water, utensils) in contact with the keyboard. The fault code should go away once the key is released and the Stop key is pressed. If the F011 error comes back when a key is pressed it means the error condition is still there. If the F011 error does not come back it means the error condition is gone and the oven can be used.</li> <li>If the fault code cannot be cleared, test the wiring harness between oven user interface board (connector I2C1 or I2C2) and touch panel (connector I2C1 or I2C2).</li> <li>If the fault code cannot be cleared and the wiring is good, the touch panel is most likely defective: replace the control assembly (UIB and touch panel).</li> </ol>
F12	Keyboard configuration alarm: the oven user interface board received from the touch panel a key code that does not match the key map.	Disconnect power, wait 30 seconds and reapply power. If fault returns upon power-up replace the control assembly (UIB and touch panel).
F13	Data written to non-volatile memory has failed verification	Disconnect power, wait 30 seconds and reapply power. If fault returns upon power-up replace the control assembly (UIB and touch panel).
F15	Keyboard error	Disconnect power, wait 30 seconds and reapply power. If fault returns upon power-up replace the control assembly (UIB and touch panel).
F16	The oven user interface board cannot read the potentiometers.	<ol style="list-style-type: none"> <li>Verify that potentiometers are in OFF position correctly, disconnect power to the unit, wait 30 seconds, then reapply power.</li> <li>If fault returns, verify harness going to the POTS connector of the user interface board to both potentiometer components.</li> <li>If fault persists, replace potentiometers.</li> <li>If fault persists, replace the control assembly (UIB and touch panel)</li> </ol>
F17	The oven user interface board is unable to configure the touch panel.	<ol style="list-style-type: none"> <li>Disconnect power to the unit, wait 30 seconds, then reapply power.</li> <li>If fault returns, verify harness going to I2C1 or I2C2 connector of the touch panel.</li> <li>If fault persists, replace the control assembly (UIB and touch panel)</li> </ol>
F18	Oven relay board failure (wiggler)	Replace the oven relay board.
F19	The oven user interface board is unable to configure the oven relay board	<ol style="list-style-type: none"> <li>Disconnect power to the unit, wait 30 seconds, then reapply power.</li> <li>If fault returns, verify connection between the oven user interface board (MACS1 or MACS2 connector) and the oven relay board (connector J3 or J4).</li> <li>If fault persists, replace the control assembly (UIB and touch panel)</li> <li>If fault persists, replace the relay board.</li> </ol>
F22	Communication failure between the oven user interface board and the oven relay board	<ol style="list-style-type: none"> <li>Disconnect power, wait 30 seconds and reapply power. Check if error condition is still there.</li> <li>Test wiring harness between oven user interface board (connector MACS1 or MACS2) and oven relay board (connector J3 or J4).</li> <li>If wiring harness is good replace oven relay board.</li> <li>If the problem persists replace the control assembly (UIB and touch panel).</li> </ol>
F23	Communication failure between the oven user interface board and the glass touch panel	<ol style="list-style-type: none"> <li>Disconnect power, wait 30 seconds and reapply power. Check if error condition is still there.</li> <li>Test wiring harness between oven user interface board (connector I2C1 or I2C2) and touch panel (connector I2C1 or I2C2).</li> <li>If wiring harness is good replace touch panel.</li> <li>If the problem persists replace the control assembly (UIB and touch panel).</li> </ol>
F25 F27	The communication between the over user interface and the oven relay board cannot be initiated.	<ol style="list-style-type: none"> <li>Disconnect power to the unit, wait 30 seconds, then reapply power.</li> <li>If fault returns, verify connection between the oven user interface board (MACS1 or MACS2 connector) and the oven relay board (connector J3 or J4).</li> <li>If fault persists, replace relay board.</li> <li>If fault persists, replace the control assembly (UIB and touch panel).</li> </ol>
F28 F29	The communication between the oven user interface and the touch panel cannot be initiated.	<ol style="list-style-type: none"> <li>Disconnect power to the unit, wait 30 seconds, then reapply power.</li> <li>If fault returns, verify touch panel is connected (verify harness going to I2C1 or I2C2 connector) and is getting power from the oven user interface.</li> <li>If fault persists, replace the control assembly (UIB and touch panel).</li> </ol>
F30	Open oven temperature sensor (RTD)	<ol style="list-style-type: none"> <li>Check probe circuit wiring for possible open or short condition.</li> <li>Verify RTD resistance at room temperature (compare to probe resistance chart). If resistance does not match the chart, replace the RTD probe.</li> <li>If the problem persists replace the oven relay board.</li> </ol>
F31	Shorted oven temperature probe (RTD)	<ol style="list-style-type: none"> <li>Check probe circuit wiring for possible open or short condition.</li> <li>Verify RTD resistance at room temperature (compare to probe resistance chart). If resistance does not match the chart, replace the RTD probe.</li> <li>If the problem persists replace the oven relay board.</li> </ol>
F33	Meat probe temperature sensor shorted or too hot	<ol style="list-style-type: none"> <li>The error is triggered if the meat probe sees a temperature in excess of 392°F. Make sure the meat probe was not used in such way that it could have seen such temperature. If the tip of the probe is not inserted in the meat it will see the cavity temperature, which can be higher than 392°F (depending on the setpoint) and trigger the alarm.</li> <li>When the meat probe is connected to the socket inside the oven cavity, if the meat probe is not fully inserted into the socket it may short the contacts and cause the error. Make sure the probe is inserted as much as it can.</li> <li>Verify meat probe resistance at room temperature. Compare to meat probe resistance chart. If the meat probe does not match the chart, replace it.</li> <li>If the above steps failed to correct the problem, replace the oven relay board.</li> </ol>
F45	Cooling fan speed too low	<ol style="list-style-type: none"> <li>Check if the cooling fan blades are blocked.</li> <li>Confirm tachometer harness is connected on fan and on oven control.</li> <li>Replace cooling fan.</li> <li>Replace oven control.</li> </ol>

ELECTRONIC OVEN CONTROL (EOC) FAULT CODE DESCRIPTIONS		
Fault Code	Description of Error Code	Suggested Corrective Action
F46	Cooling fan speed too high	<ol style="list-style-type: none"> <li>1. Check for mechanical obstruction in the air path.</li> <li>2. Replace cooling fan.</li> <li>3. Replace oven control.</li> </ol>
F50	A/D Out of Range: the oven relay board is unable to read the status of the switches (door, MDL)	<ol style="list-style-type: none"> <li>1. Check to ensure that the connections between the door switch, MDL and temp probes are properly connected. This includes all splices and junctions.</li> <li>2. If the above step failed to correct the problem, replace the oven relay board.</li> </ol>
F90	Motor Door Lock mechanism failure. The oven control does not see the Motor Door Lock running.	<ol style="list-style-type: none"> <li>1. Disconnect power to the unit, wait 30 seconds, then reapply power. Try again to make the door lock or unlock (ex: initiate a Lockout or a Clean cycle). Check if the Lock Motor is running or not. If it is not running, test the wiring between the Lock Motor and the oven relay board. If the wiring is good, check if there is 120VAC at the motor when it is expected to run to see if the failure originates from a bad motor (120VAC present but not turning) or a problem with the relay board (J20 pin 10 on the oven relay board is the output to the Lock Motor). The Lock Motor can also be tested by applying 120VAC directly to the motor (unplug it from the relay board first). If the Lock Motor does not run when 120VAC is applied replace the Lock Motor Assembly. If it is the relay board that does not provide 120VAC to the Lock Motor replace the oven relay board.</li> <li>3. If the Lock Motor is running but the oven control cannot find the locked or unlocked position (ex: motor turns continuously until F90 fault code is generated) the Lock Switch needs to be verified. Check wiring between Lock Switch and oven relay board. Verify with ohmmeter if the switch makes contact properly (verify continuity with ohmmeter when the switch is pressed). If the Lock Switch is defective replace the Motor Lock Assembly.</li> <li>4. If all above steps failed to correct the situation, replace the oven relay board.</li> </ol>
F95	Motor Door Lock mechanism failure. The Motor Door Lock does not stop running or the Lock Switch sends an invalid signal.	<ol style="list-style-type: none"> <li>1. The problem can be caused by a faulty Lock Switch or by a defective oven relay board. If the Motor Door Lock is always running (as if the relay controlling it is stuck closed) replace the oven relay board.</li> <li>2. If the motor is not always running replace the Motor Lock Assembly.</li> </ol>
F96	The oven door has been detected open during a Self Clean cycle.	<ol style="list-style-type: none"> <li>1. This error occurs if the door switch has lost its contact during a Self Clean cycle. Make sure the oven door closes well and fully presses on the door switch plunger when the door is locked, and no one attempted to pull on the oven door during the Self Clean cycle.</li> <li>2. Test continuity of wiring between the door switch and the oven relay board, make sure the door switch is well connected. With an ohmmeter, verify the switch is closed when the plunger is pressed. If the door switch is found to be defective replace the door switch.</li> <li>3. If the switch and wiring are good and the problem persists, replace the oven relay board.</li> </ol>
F97	MDL invalid state. Relay board (OVC) sensed the motor door lock in a state it should not be in according to the user interface board.	<ol style="list-style-type: none"> <li>1. Disconnect power to the unit, wait 30 seconds, then reapply power.</li> <li>2. If fault persists, replace motor door lock.</li> <li>3. If fault persists, replace the oven relay board.</li> </ol>



## FICHE DE RÉPARATION

### FOUR ENCASTRÉ ÉLECTRIQUE AVEC RÉGULATEUR ÉLECTRONIQUE DE FOUR MODULAR

**AVIS:** Cette feuille de données d'entretien est destinée aux personnes ayant reçu une formation en électricité et en mécanique, et qui possèdent un niveau de connaissance jugé acceptable dans l'industrie de réparation des appareils électroménagers. Le fabricant ne peut être tenu responsable, ni assumer aucune responsabilité, pour toute blessure ou dommage de quelque nature que ce soit pouvant résulter de l'utilisation de cette feuille de données.

**NOTES IMPORTANTES:** Cet appareil inclut un contrôleur de four électronique. Le tableau de contrôle n'est pas réparable sur place. À l'aide du numéro de modèle et du catalogue de service, vérifiez si l'appareil a le bon panneau de relais du four, la bonne carte interface usager et le bon panneau tactile.

#### Pratiques d'entretien Sécuritaires

Pour éviter tout risque de blessure et/ou dommage matériel, il est important que des pratiques d'entretien sécuritaires soient suivies. Voici quelques exemples de pratiques sécuritaires.

- N'essayez jamais de réparer un appareil si vous ne croyez pas avoir les compétences nécessaires pour le faire de manière satisfaisante et sécuritaire.
- Avant de procéder au service d'entretien ou de déplacer tout appareil ménager, débranchez le cordon d'alimentation de la prise électrique, réglez le disjoncteur de circuit à OFF, ou enlevez le fusible et fermez le robinet d'alimentation en gaz.
- N'entrez jamais l'installation adéquate de tout dispositif de sécurité.
- Utilisez que les pièces de remplacement énumérées dans le catalogue pour cet appareil. La moindre substitution risque de ne pas être conforme aux normes de sécurité établies pour les appareils électroménagers.
- Mise à la Terre: La couleur de codage standard des conducteurs de mise à la terre de sécurité est verte ou verte à barres jaunes. Les conducteurs de mise à la terre ne doivent pas être utilisés comme conducteurs de courant. Il est d'une importance capitale que le technicien d'entretien complète toutes les mises à la terre de sécurité avant de terminer le service. Si cette recommandation n'est pas suivie à la lettre, il en résultera des risques pour les personnes et les biens.

- Avant de retourner le produit au service de réparation ou d'entretien, assurez-vous que:
  - Toutes les connexions électriques sont correctes et sécuritaires.
  - Tous les conducteurs électriques sont correctement préparés et à l'abri des bords tranchants, des composants à température élevée, et des parties mobiles.
  - Toutes les bornes électriques, connecteurs, réchauffeurs, etc. dénudés sont espacés convenablement loin de toute pièce en métal et des panneaux.
  - Toutes les mises à la terre de sécurité (interne et externe) sont correctement ré-assemblées de façon sécuritaire.
  - Tous les panneaux sont correctement et fermement remontés.

#### Réglage de la Température

Reportez-vous au Manuel d'utilisation et d'entretien pour obtenir des instructions sur l'ajustement des températures du four.

#### SYSTÈME DE COMMANDES MODULAIRE

Cet appareil est muni d'un système de commandes modulaire. Le système modulaire comporte différentes cartes qui communiquent entre elles pour activer les fonctions de cuisson. Les fonctions du four, si disponibles, sont activées grâce à une interface utilisateur pour le four (IU ou TIU) et une carte de relais pour le four. Les fonctions de la surface de cuisson, sont activées grâce à un IU/PIU et une carte de relais pour la surface de cuisson. D'autres cartes dans le système peuvent activer des fonctions spécifiques (consultez les schémas et diagrammes sur cette fiche d'information). Le fonctionnement à basse tension et l'alimentation des communications pour les cartes modulaires sont assurés par les circuits de câbles. Les cartes qui génèrent la basse tension et alimentent les communications sont contrôlés par des système de commandes individuels (consultez les schémas et diagrammes sur cette fiche d'information) Ces tensions sont uniquement les tensions de fonctionnement. N'utilisez pas ces tensions comme confirmation d'une transmission entre les cartes. La transmission se fait grâce à une programmation logicielle sur chaque carte. Cette transmission ne peut pas être détectée à l'aide d'un ohmmètre. La programmation est auto-contrôlée et les affichages sur l'IU montrent les codes d'erreur selon les pannes détectées. Les cartes individuelles ne peuvent pas être réparées sur place. Consultez les schémas et les diagrammes contenus dans cette fiche d'information pour en savoir plus sur un élément spécifique.

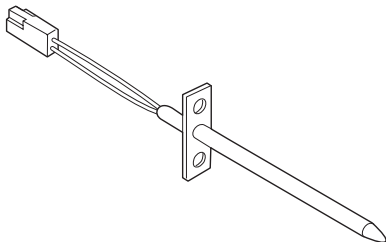
MATRICE D'ANALYSE DU CIRCUIT	ÉLÉMENTS										
	Cuisson P7	Gril K2	Conv. P8	Moteur Verrou J20-10	Lampe J20-6	Ventilateur Conv. Basse vitesse J20-9, J19-6	Ventilateur Conv. Haute vitesse J19-2, J19-3	Ventilateur de refroidissement Basse vitesse J20-7	Ventilateur de refroidissement Haute vitesse J20-8	Interr. porte J5-9	DLB L2 sortie K1
Cuisson	X	X	X			X	X	X	X		X
Gril		X						X	X		X
Cuisson Conv.	X	X	X			X	X	X	X		X
Rôtissage Conv	X	X	X			X	X	X	X		X
Air Sous Vide			X			X	X	X	X		X
Nettoyage	X	X						X	X		X
Verrouillage				X							
Déverrouillage				X							
Lampes					X						
Porte Ouverte					X						
Porte Fermée										X	

NOTES: cycles de cuisson, de gril et de convection alternés. Les ventilateurs de convection peuvent fonctionner pendant le préchauffage et peuvent fonctionner de manière intermittente pendant les fonctions de non convection pour améliorer les performances de cuisson.

TABLEAU DE TEMPÉRATURE DE LA SONDE vs SA RÉSISTANCE	
Température	Résistance
77 °F / 25°C	50.020 Kohm +/- 6%
122 °F / 50°C	18.020 Kohm +/- 5%
176 °F / 80°C	6.290 Kohm +/- 5%
212 °F / 100°C	3.400 Kohm +/- 5%

ÉCHELLE DU DÉTECTEUR DE TEMPÉRATURE À RÉSISTANCE	
Température °F (°C)	Résistance (ohms)
32 ± 1,9 (0 ± 1,0)	1 000 ± 4,0
75 ± 2,5 (24 ± 1,3)	1 091 ± 5,3
250 ± 4,4 (121 ± 2,4)	1 453 ± 8,9
350 ± 5,4 (177 ± 3,0)	1 654 ± 10,8
450 ± 6,9 (232 ± 3,8)	1 852 ± 13,5
550 ± 8,2 (288 ± 4,5)	2 047 ± 15,8
650 ± 9,6 (343 ± 5,3)	2 237 ± 18,5
900 ± 13,6 (482 ± 7,5)	2 697 ± 24,4
Circuit de la sonde mise à la terre à la caisse	Circuit ouvert/résistance infinie

#### DÉTECTEUR DE TEMPÉRATURE À RÉSISTANCE



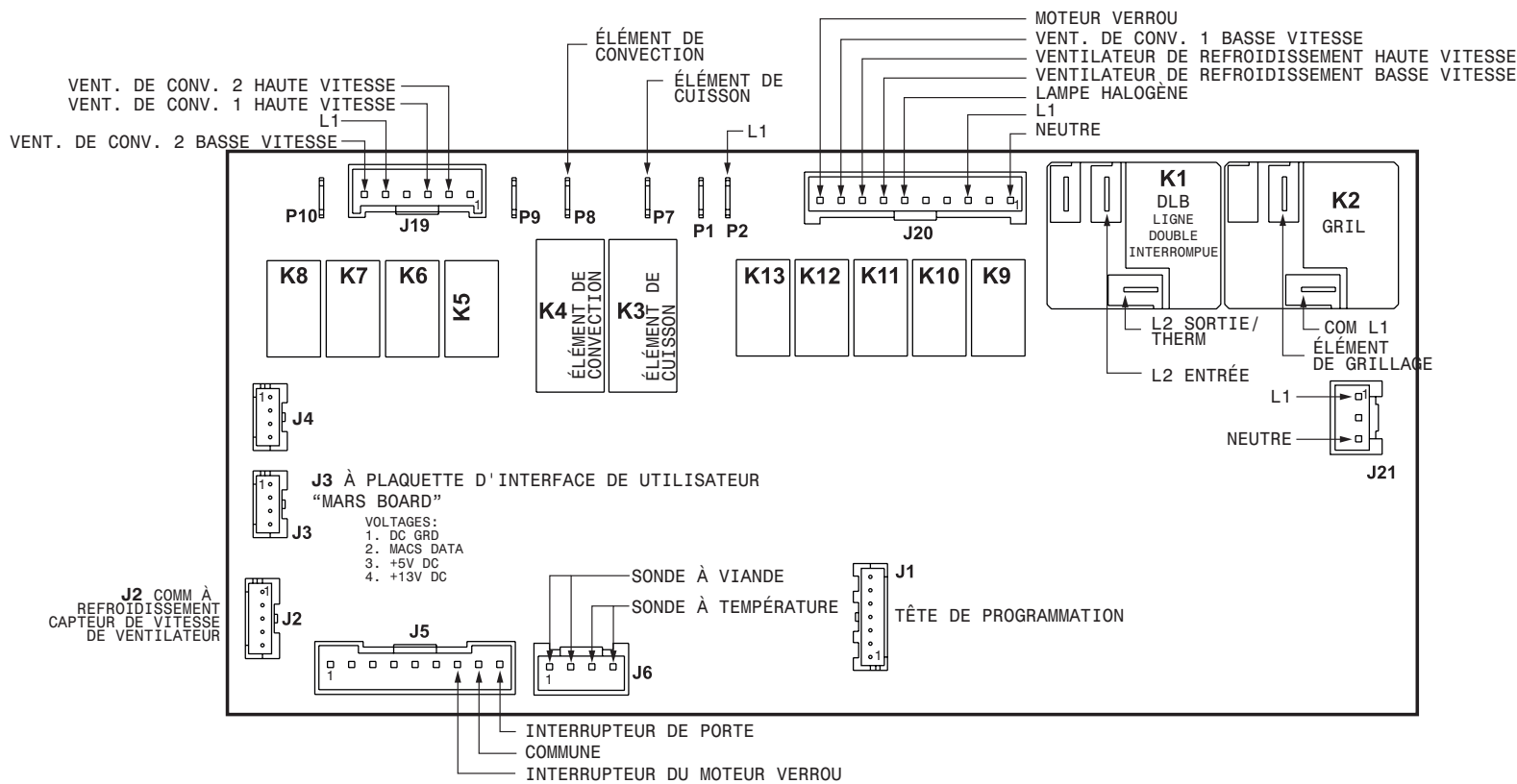
**IMPORTANT**  
**N'ENLEVEZ PAS CE SAC OU NE DÉTRUISEZ PAS SON CONTENU**  
**CONTIENT LES SCHÉMAS DE CÂBLAGE ET LES INFORMATIONS DE RÉPARATION**  
**REMETTRE LE CONTENU DANS LE SAC**

p/n A00980644 Rev A (2017/05)

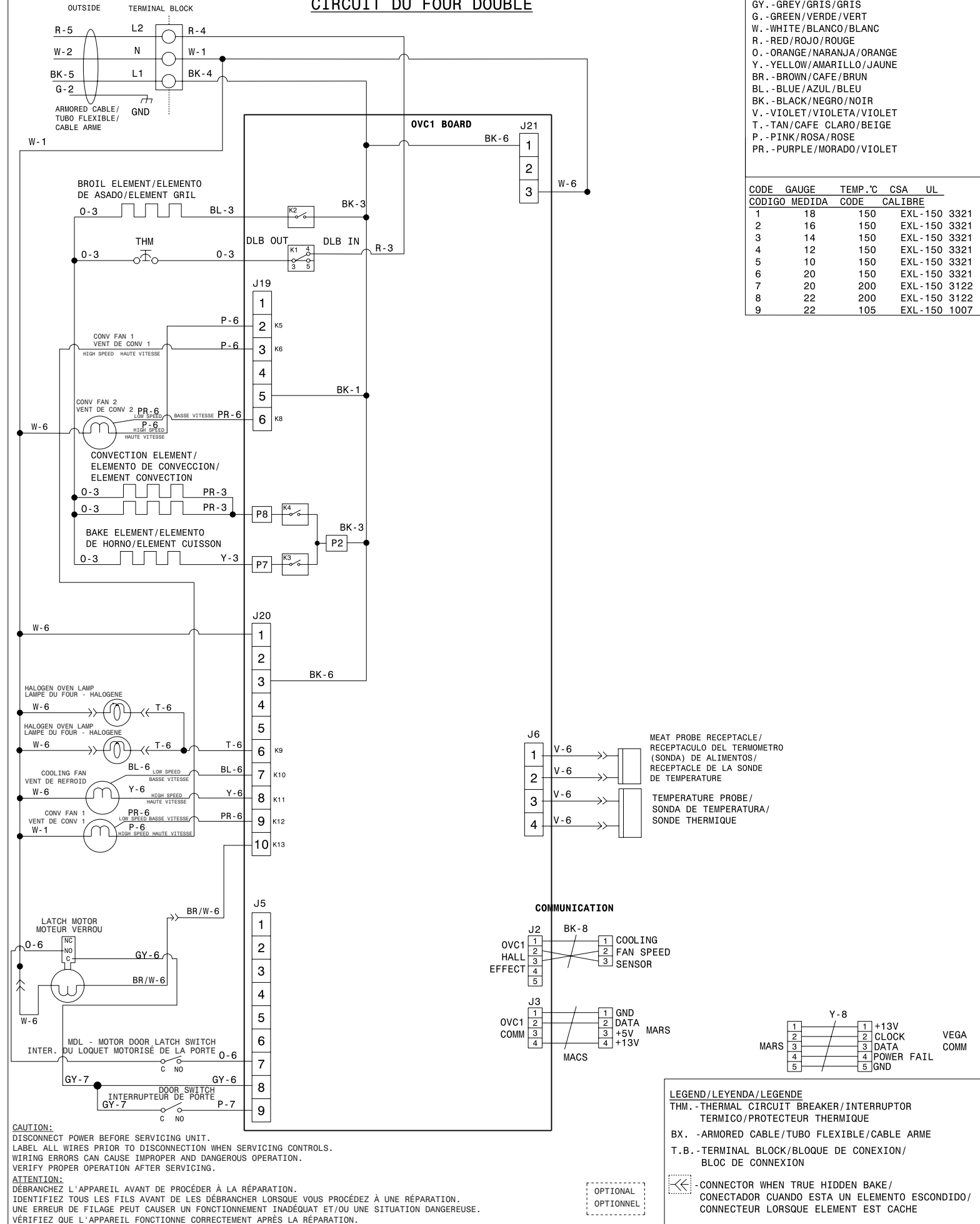
CODES D'ERREUR POUR LA FICHE TECHNIQUE DE LA CUISINIÈRE AVEC BOUTONS DE COMMANDE À L'AVANT		
Code	Description de l'erreur	Actions correctives suggérées
F01 F02 F04 F05	Panneau tactile en échec.	Débranchez l'alimentation, attendez 30 secondes et rebranchez. Si le problème réapparaît lorsque l'appareil est rebranché, remplacer l'ensemble de commande (panneau d'interface utilisateur et panneau tactile).
F03	La carte interface usager n'est pas configurée correctement.	Remplacer l'ensemble de commande (panneau d'interface utilisateur et panneau tactile). Assurez-vous d'installer la dernière version disponible pour ce modèle.
F10	Emballage de la température du four: La température du four a été détectée comme étant supérieure à la température maximale sécuritaire.	<ol style="list-style-type: none"> <li>1- Si le four surchauffe, débranchez l'alimentation. Vérifiez la sonde de température (RTD) et remplacez-la si nécessaire.</li> <li>2- Si la sonde de température est correcte et que le four continue de surchauffer une fois l'appareil rebranché, remplacez le panneau de relais du four.</li> </ol>
F11	Touche engagée: Une touche a été rapportée appuyée pendant 30 secondes ou plus.	<ol style="list-style-type: none"> <li>1. Ce code s'affiche si une touche est appuyée par inadvertance pendant une longue période. Assurez-vous qu'il n'y a rien en contact avec le panneau tactile (eau, ustensiles). Le code d'erreur disparaît lorsque la touche est relâchée et que la touche STOP est appuyée. Si le code F011 réapparaît lorsqu'une touche est appuyée, ceci indique que les conditions de l'erreur sont toujours présentes. Si le code F011 ne réapparaît pas, ceci indique que les conditions de l'erreur ont disparu et que le four peut être utilisé.</li> <li>2. Si le code d'erreur ne disparaît pas, vérifiez le fil entre la carte interface usager (connecteur I2C1 ou I2C2) et le panneau tactile (connecteur I2C1 ou I2C2).</li> <li>3. Si le code d'erreur ne disparaît pas et que le fil est bon, le panneau tactile est probablement défectueux: remplacer l'ensemble de commande (panneau d'interface utilisateur et panneau tactile).</li> </ol>
F12	Alarme de configuration de clavier: La carte interface usager a reçu du panneau tactile un code qui ne se retrouve pas dans le registre.	Remplacer l'ensemble de commande (panneau d'interface utilisateur et panneau tactile)
F13	Échec lors de la vérification des données écrites à la mémoire permanente.	Débranchez l'alimentation, attendez 30 secondes et rebranchez. Si le problème réapparaît lorsque l'appareil est rebranché, remplacer l'ensemble de commande (panneau d'interface utilisateur et panneau tactile).
F15	Erreur du clavier.	Débranchez l'alimentation, attendez 30 secondes et rebranchez. Si le problème réapparaît lorsque l'appareil est rebranché, remplacer l'ensemble de commande (panneau d'interface utilisateur et panneau tactile).
F16	La carte interface usager (UIB) ne peut pas lire les potentiomètres.	<ol style="list-style-type: none"> <li>1. Vérifiez si les potentiomètres sont correctement en position Arrêt (off), débranchez l'appareil de la source de courant, attendez 30 secondes, rebranchez l'appareil.</li> <li>2. Si le problème réapparaît, vérifiez le filage allant des connecteurs POTS de la carte interface usager (UIB) aux deux composantes du potentiomètre.</li> <li>3. Si le problème persiste, remplacez les potentiomètres.</li> <li>4. Si le problème persiste, remplacer l'ensemble de commande (panneau d'interface utilisateur et panneau tactile).</li> </ol>
F17	La carte interface usager du four est incapable de configurer le panneau tactile.	<ol style="list-style-type: none"> <li>1. Débranchez l'alimentation, attendez 30 secondes et rebranchez.</li> <li>2. Si l'erreur réapparaît, vérifiez le fil allant au connecteur I2C1 ou I2C2 du panneau tactile.</li> <li>3. Si le problème persiste, remplacer l'ensemble de commande (panneau d'interface utilisateur et panneau tactile).</li> </ol>
F18	Échec du panneau de relais du four (onduleur)	Remplacez le panneau de relais du four.
F19	La carte interface usager du four est incapable de configurer le panneau de relais du four.	<ol style="list-style-type: none"> <li>1. Débranchez l'alimentation, attendez 30 secondes et rebranchez.</li> <li>2. Si l'erreur réapparaît, vérifiez la connexion entre la carte interface usager du four (connecteur MACS1 ou MACS2) et le panneau de relais du four (connecteur J3 ou J4).</li> <li>3. Si le problème persiste, remplacer l'ensemble de commande (panneau d'interface utilisateur et panneau tactile).</li> </ol>
F22	Échec de communication entre la carte d'interface usager et le panneau de relais du four.	<ol style="list-style-type: none"> <li>1. Débranchez l'alimentation, attendez 30 secondes et rebranchez. Vérifiez si l'erreur est encore présente.</li> <li>2. Vérifiez le faisceau de fils entre la carte interface usager (connecteur MACS1 ou MACS2) et le panneau de relais du four (connecteur J3 ou J4).</li> <li>3. Si le faisceau de fils est bon, remplacez le panneau de relais du four.</li> <li>4. Si le problème persiste, remplacer l'ensemble de commande (panneau d'interface utilisateur et panneau tactile).</li> </ol>
F23	Échec de communication entre la carte d'interface usager et le panneau tactile.	<ol style="list-style-type: none"> <li>1. Débranchez l'alimentation, attendez 30 secondes et rebranchez. Vérifiez si les conditions d'erreur sont encore présentes.</li> <li>2. Vérifiez le fil entre la carte interface usager (connecteur I2C1 ou I2C2) et le panneau tactile (connecteur I2C1 ou I2C2).</li> <li>3. Si le fil est bon, remplacer l'ensemble de commande (panneau d'interface utilisateur et panneau tactile).</li> </ol>
F25 F27	La communication entre la carte interface usager et le panneau de relais du four ne peut être démarrée.	<ol style="list-style-type: none"> <li>1. Débranchez l'alimentation, attendez 30 secondes et rebranchez.</li> <li>2. Si l'erreur réapparaît, vérifiez la connexion entre la carte interface usager du four (connecteur MACS1 ou MACS2) et le panneau de relais du four (connecteur J3 ou J4).</li> <li>3. Si le problème persiste, remplacez le panneau relais du four.</li> <li>4. Si le problème persiste, remplacer l'ensemble de commande (panneau d'interface utilisateur et panneau tactile).</li> </ol>
F28 F29	La communication entre la carte interface usager et le panneau tactile ne peut être démarrée.	<ol style="list-style-type: none"> <li>1. Débranchez l'alimentation, attendez 30 secondes et rebranchez.</li> <li>2. Si l'erreur réapparaît, vérifiez si le panneau tactile est branché (vérifiez le faisceau de fils allant au connecteur I2C1 ou I2C2) et s'il reçoit de l'alimentation de la carte interface usager.</li> <li>3. Si le problème persiste, remplacer l'ensemble de commande (panneau d'interface utilisateur et panneau tactile).</li> </ol>
F30	Le circuit de la sonde de température du four est ouvert (RTD)	<ol style="list-style-type: none"> <li>1. Vérifiez si le circuit de la sonde ne serait pas ouvert ou en condition de court-circuit.</li> <li>2. Vérifiez la résistance RTD à la température ambiante (comparez la valeur obtenue dans la charte de résistance). Si la valeur obtenue ne correspond pas à la valeur de la charte, remplacez la sonde RTD.</li> </ol>
F31	La sonde de température du four (RTD) est en court-circuit.	<ol style="list-style-type: none"> <li>3. Si le problème persiste, remplacez le panneau de relais.</li> </ol>
F33	Le capteur de la sonde à viande est en court-circuit ou trop chaud.	<ol style="list-style-type: none"> <li>1. L'erreur est déclenchée si la sonde à viande perçoit une température supérieure à 392°F. Assurez-vous que la sonde à viande ne puisse pas percevoir la température provenant d'une autre source. Si le bout de la sonde n'est pas inséré dans la viande, celui-ci va capter la température de la cavité, laquelle peut être supérieure à 392°F (dépendant de la température réglée dans le four) et déclencher l'alarme.</li> <li>2. Si la sonde à viande n'est pas complètement insérée dans le réceptacle situé à l'intérieur de la cavité du four ceci peut entraîner un court-circuit et causer un code d'erreur. Assurez-vous que la sonde est correctement insérée dans le réceptacle.</li> <li>3. Vérifiez la résistance de la sonde à viande à la température ambiante. Comparez cette valeur à celles dans la table de la résistance de la sonde à viande. Si elle ne correspond pas aux valeurs du tableau, remplacez la sonde à viande.</li> <li>4. Si toutes les étapes mentionnées ci-haut ont échoué, remplacez le panneau de relais du four.</li> </ol>
F45	Vitesse du ventilateur de refroidissement trop lente.	<ol style="list-style-type: none"> <li>1. Vérifiez si les pales du ventilateur de refroidissement sont bloquées.</li> <li>2. Confirmez que le filage du tachymètre est branché au ventilateur et à la commande du four.</li> <li>3. Remplacez le ventilateur de refroidissement.</li> <li>4. Remplacez la commande du four.</li> </ol>
F46	Vitesse du ventilateur de refroidissement trop élevée.	<ol style="list-style-type: none"> <li>1. Vérifiez qu'il n'y ait pas d'obstruction mécanique dans le chemin de l'air.</li> <li>2. Remplacez le ventilateur de refroidissement.</li> <li>3. Remplacez la commande du four.</li> </ol>

**CODES D'ERREUR POUR LA FICHE TECHNIQUE DE LA CUISINIÈRE AVEC BOUTONS DE COMMANDE À L'AVANT**

Code	Description de l'erreur	Actions correctives suggérées
F50	A/D hors limite: Le panneau relais du four ne peut connaître le statut des interrupteurs (porte, moteur verrou)	<ol style="list-style-type: none"> <li>Vérifiez que les branchements entre le commutateurs de la porte, le loquet de porte à moteur (LPM) et les sondes de température sont correctement établis. Ceux-ci incluent toutes les épissures et les jonctions.</li> <li>Remplacez la carte de relais de commande des relais du four.</li> </ol>
F90	Échec du mécanisme du moteur verrou de la porte du four: La commande du four ne détecte pas que le moteur verrou de la porte du four est en marche.	<ol style="list-style-type: none"> <li>Débranchez l'alimentation, attendez 30 secondes et rebranchez. Essayez à nouveau de verrouiller ou déverrouiller la porte (ex: activez le Lockout ou un cycle autonettoyant).</li> <li>Vérifiez si le moteur tourne ou non. S'il ne tourne pas, vérifiez le faisceau de fils entre le moteur verrou et le panneau de relais. Si le faisceau de fils est bon, vérifiez si il y a 120VAC au moteur lorsqu'il est sensé fonctionner pour voir si le problème est dû à un mauvais moteur (la lecture est de 120VAC mais le moteur ne tourne pas) ou si le problème revient au panneau de relais (Tige 10 de J20 sur le panneau de relais est la sortie vers le moteur verrou). Le moteur verrou peut aussi être vérifié en appliquant 120VAC directement au moteur (Il faut commencer par le débrancher du panneau de relais). Si le moteur verrou ne tourne pas lorsque 120VAC est appliqué, remplacez l'assemblé moteur verrou. Si c'est le panneau de relais qui ne fournit pas 120VAC au moteur verrou, remplacez le panneau de relais.</li> <li>Si le moteur tourne mais la commande de four ne peut trouver la position verrouillée ou déverrouillée (ex: le moteur tourne continuellement lorsque le code F90 est affiché) l'interrupteur verrou doit être vérifié. Vérifiez le faisceau de fils entre l'interrupteur verrou et le panneau de relais. Vérifiez avec un ohmmètre que le contact de l'interrupteur est correct (vérifiez la continuité avec le ohmmètre lorsque l'interrupteur est appuyé). Si l'interrupteur est défectueux, remplacez l'assemblé moteur verrou.</li> <li>Si toutes les étapes mentionnées ci-haut ont échoué, remplacez le panneau de relais du four.</li> </ol>
F95	Échec du mécanisme du moteur verrou de la porte du four. Le moteur verrou tourne continuellement ou l'interrupteur envoie un mauvais signal.	<ol style="list-style-type: none"> <li>Le problème peut être causé par un interrupteur ou un panneau de relais défectueux. Si le moteur verrou fonctionne continuellement (ou comme si le relais demeure fermé) remplacez le panneau de relais du four.</li> <li>Si le moteur ne tourne pas continuellement remplacez l'assemblé moteur verrou.</li> </ol>
F96	La porte du four a été détectée ouverte lors d'un cycle autonettoyant.	<ol style="list-style-type: none"> <li>Cette erreur survient si l'interrupteur de porte perd son contact lors d'un cycle autonettoyant. Assurez-vous que la porte du four ferme complètement et qu'elle presse adéquatement le piston de l'interrupteur de porte lorsque cette dernière est verrouillée et assurez-vous que personne n'essaie d'ouvrir la porte lorsque le four est en cycle autonettoyant.</li> <li>Vérifiez le faisceau de fils entre l'interrupteur de porte et le panneau de relais, assurez-vous que l'interrupteur de porte est bien branché. À l'aide d'un ohmmètre, vérifiez si l'interrupteur est fermé lorsque le piston est pressé. Si l'interrupteur est défectueux, remplacez-le.</li> <li>Si l'interrupteur et le faisceau de fils sont bons, remplacez le panneau de relais.</li> </ol>
F97	L'état du moteur verrou de la porte (MDL) est invalide. La carte relais (OVC) a détecté que le moteur verrou de la porte (MDL) est dans un état dans lequel il n'est pas supposé d'être selon la carte d'interface usager.	<ol style="list-style-type: none"> <li>Débranchez l'alimentation, attendez 30 secondes et rebranchez.</li> <li>Si le problème persiste, remplacez l'assemblé moteur verrou.</li> <li>Si le problème persiste, remplacez le panneau de relais.</li> </ol>



**SINGLE WALL OVEN CIRCUIT // CIRCUITO DEL HORNO DOBLE // CIRCUIT DU FOUR DOUBLE**



**COLOR CODE/CODIGOS DE COLOR/CODE DE COULEUR**

GY	- GREY/GRIS/GRIS
G	- GREEN/VERDE/VERT
W	- WHITE/BLANCO/BLANC
R	- RED/ROJO/ROUGE
O	- ORANGE/NARANJA/ORANGE
Y	- YELLOW/AMARILLO/JAUNE
BR	- BROWN/CAFE/BRUN
BL	- BLUE/AZUL/BLEU
BK	- BLACK/NEGRO/NOIR
V	- VIOLET/VIOLETA/VIOLET
T	- TAN/CAFE CLARO/BEIGE
P	- PINK/ROSA/ROSE
PR	- PURPLE/MORADO/VIOLET

CODE	GAUGE	TEMP.°C	CSA	UL
CODIGO	MEDIDA	CODE	CALIBRE	
1	18	150	EXL-150	3321
2	16	150	EXL-150	3321
3	14	150	EXL-150	3321
4	12	150	EXL-150	3321
5	10	150	EXL-150	3321
6	20	150	EXL-150	3321
7	20	200	EXL-150	3122
8	22	200	EXL-150	3122
9	22	105	EXL-150	1007