

Use & Care Guide
Guide de L'utilisation et d'entretien
ENGLISH / FRANÇAIS



Model/Modelos: 587.1541*

Kenmore[®]

Dishwasher

Lave-vaisselle

* = color number, numéro de couleur

P/N 675000612175

Sears Brands Management Corporation,
Hoffman Estates,
IL 60179 U.S.A.

www.kenmore.com
www.sears.com



Table of Contents

Kenmore Limited Warranty	2	Dishwasher Dispenser and Detergents	10-11
IMPORTANT SAFETY INSTRUCTIONS	3	Care & Cleaning	12
Before Using Your Dishwasher	4	Before You Call - Solutions to common problems	13-14
Dishwasher Features	5	Protection Agreements	15
Operating Instructions	6-7	Sears Service.....	Back Cover
Preparing and Loading Dishes	8-9		

Kenmore Limited Warranty

When installed, operated and maintained according to all instructions supplied with the product, if this appliances fails due to a defect in material or workmanship within one year from the date of purchase, Call 1-800-4-MY-HOME® to arrange for free repair. If this appliance is used for other than private family purposes, this warranty applies for only 90 days from the date of purchase.

This warranty covers only defects in material and workmanship. Sears will NOT pay for:

1. Expendable items that can wear out from normal use, including but not limited to filters, belts, light bulbs, and bags.
2. A service technician to instruct the user in correct product installation, operation or maintenance.
3. A service technician to clean or maintain this product.
4. Damage to or failure of this product if it is not installed, operated or maintained according to all instructions supplied with the product.
5. Damage to or failure of this product resulting from accident, abuse, misuse or use for other than its intended purpose.
6. Damage to or failure of this product caused by the use of detergents, cleaners, chemicals or utensils other than those recommended in all instructions supplied with the product.
7. Damage to or failure of parts or systems resulting from unauthorized modifications made to this product.

Disclaimer of implied warranties; limitation of remedies

Customer's sole and exclusive remedy under this limited warranty shall be product repair as provided herein. Implied warranties, including warranties of merchantability or fitness for a particular purpose, are limited to one year or the shortest period allowed by law. Sears shall not be liable for incidental or consequential damages. Some states and provinces do not allow the exclusion or limitation of incidental or consequential damages, or limitation on the duration of implied warranties of merchantability or fitness, so these exclusions or limitations may not apply to you.

This warranty applies only while this appliance is used in the United States or Canada.

This warranty gives you specific legal rights, and you may also have other rights which vary from state to state.

Sears Brand Management Corporation, Hoffman Estates, IL 60179 USA

Sears Canada Inc., Toronto, Ontario, Canada M5B 2B8

Product Record

In this space below, record the date of purchase, model and serial number of your product. You will find the model and serial number printed on an identification plate. **See page 5 Dishwasher Features** for serial label location.

Model No. **587** _____

Serial No. _____


Date of Purchase _____

Save sales receipt for future reference.

Read all instructions before using this appliance.


This manual contains important safety symbols and instructions. Please pay attention to these symbols and follow all instructions given.


Definitions

 This is the safety alert symbol. It is used to alert you to potential personal injury hazards. Obey all safety messages that follow this symbol to avoid possible injury or death.

Do not attempt to install or operate your appliance until you have read the safety precautions in this manual.

Safety items throughout this manual are labeled with a WARNING or CAUTION statement based on the risk type.

 **WARNING** - indicates a potentially hazardous situation which, if not avoided, may result in death or serious injury.

 **CAUTION** - indicates a potentially hazardous situation which, if not avoided, may result in minor or moderate injury.

Important Safety Instructions

⚠ WARNING

When using the dishwasher, follow basic precautions, including the following:

- Read all instructions before using the dishwasher.
- Use your dishwasher only as instructed in this Use and Care Guide.
- Use only detergents or rinse agents recommended for use in a dishwasher, and keep them out of reach of children.
- When loading items to be washed:
 - Locate sharp items and knives so that they are not likely to damage the door seal or tub.
 - Load sharp items and knives with the handles up to reduce the risk of cut-type injuries.
- Do not wash plastic items unless marked “dishwasher safe” or the equivalent. Check with manufacturer for recommendations, if not marked. Items that are not dishwasher safe may melt and create a potential fire hazard.
- Do not touch the heating element during or immediately after use.
- Do not operate your dishwasher unless all enclosure panels are properly in place.
- If the dishwasher drains into a food disposer, make sure disposer is completely empty before running dishwasher.
- Disconnect electrical power to dishwasher before servicing.
- Do not tamper with controls.
- Do not let children abuse, sit, stand or play on door or racks of a dishwasher.
- Keep young children and infants away from dishwasher when it is operating.
- Under certain conditions, hydrogen gas may be produced in a hot water system that has not been used for two weeks or more. **HYDROGEN GAS IS EXPLOSIVE.** If the hot water system has not been used for such a period, before using the dishwasher turn on all hot water faucets and let the water flow from each for several minutes. This will release any accumulated hydrogen gas. As the gas is flammable, do not smoke or use an open flame during this time.
- Remove the door to the washing compartment when removing an old dishwasher from service or discarding it.

Before Using Your Dishwasher

⚠ WARNING



Tip Over Hazard

Do not use dishwasher until completely installed.
Do not push down on open door.
Doing so can result in serious injury or cuts.

⚠ WARNING



Electrical Shock Hazard

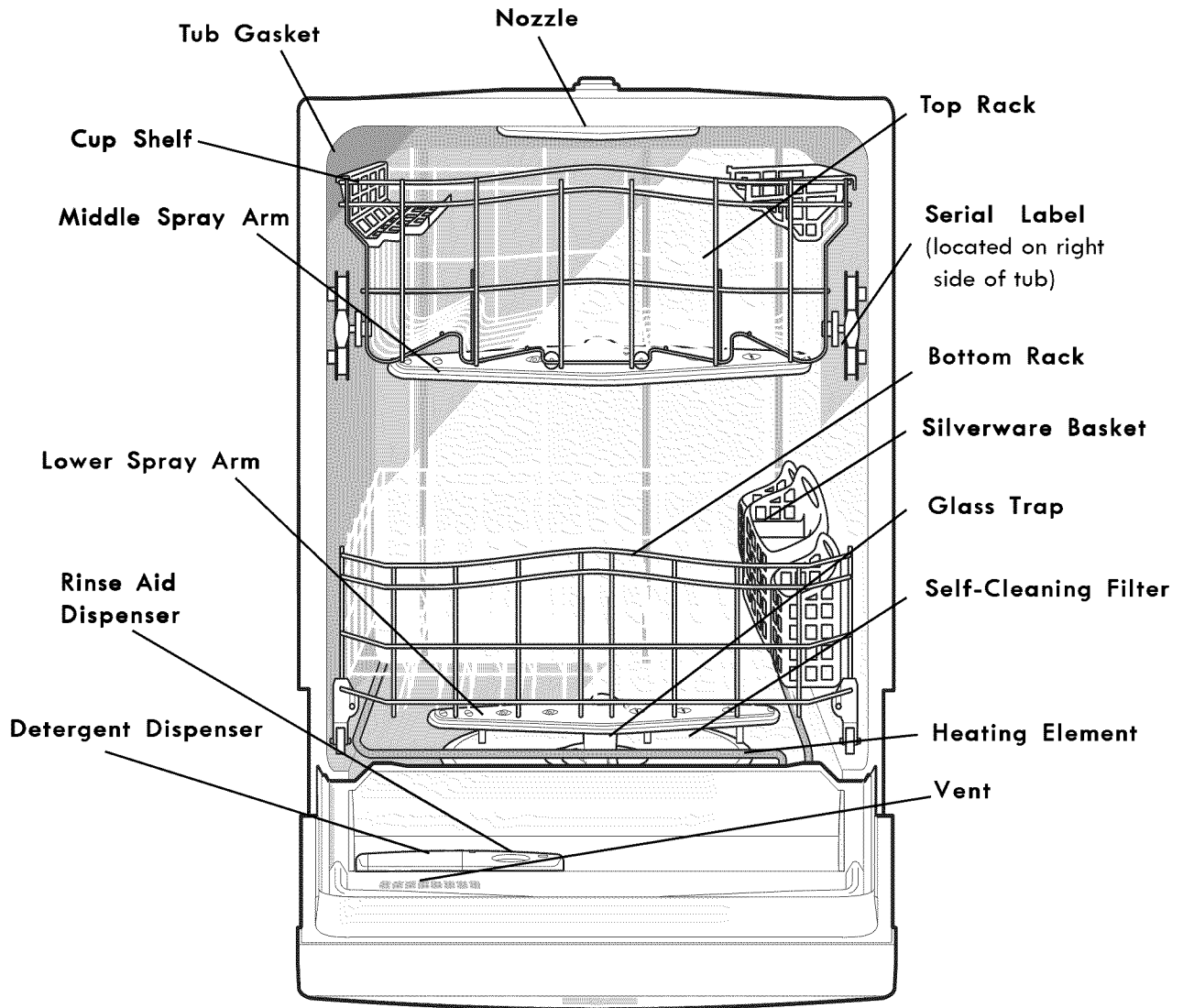
Electrically ground dishwasher.
Connect ground wire to green ground nut in terminal box.
Do not use an extension cord.
Failure to do so can result in death, fire, or electrical shock.

GROUNDING INSTRUCTIONS

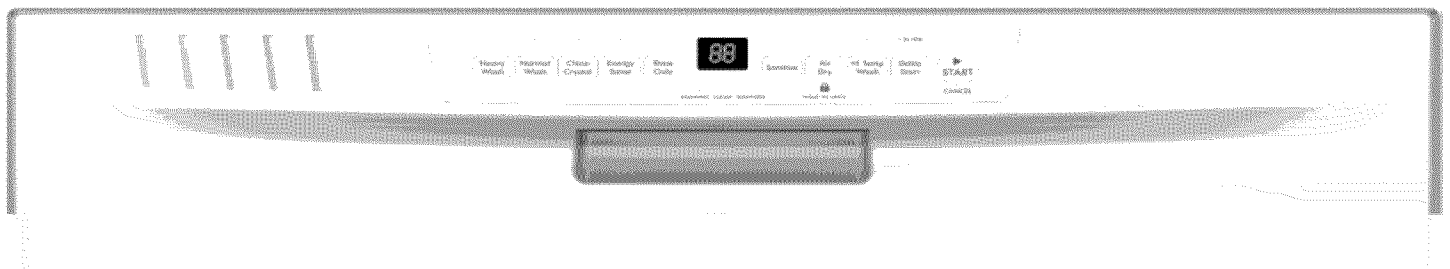
- **For a grounded, cord-connected dishwasher:**
The dishwasher must be grounded. In the event of a malfunction or breakdown, grounding will reduce the risk of electric shock by providing a path of least resistance for electric current. The dishwasher is equipped with a cord having an plug. The plug must be plugged into an appropriate outlet that is installed and grounded in accordance with all local codes and ordinances.
- **⚠ WARNING :** Improper connection of the equipment-grounding conductor can result in a risk of electric shock. Check with a qualified electrician or service representative if you are in doubt whether the dishwasher is properly grounded. Do not modify the plug provided with the dishwasher. If it will not fit the outlet, have a proper outlet installed by a qualified electrician.
- **For a permanently connected dishwasher:**
The dishwasher must be connected to a grounded metal, permanent wiring system, or a equipment-grounding conductor must be run with the circuit conductors and connected to the equipment-grounding terminal or lead on the dishwasher.

Save these instructions for future reference.

Dishwasher Features



Appearance may vary from your model.



Appearance may vary from your model.

Operating Instructions

Wash System

Your Kenmore dishwasher filters 100% of the water for optimum cleaning. The wash system uses alternating arms to save water and energy and includes a heavy-duty stainless steel food disposer that grinds up large food particles.

How the wash system works

1. Load the dishwasher (See Preparing and Loading Dishes).
2. Hot water enters the dishwasher, covers the filter, and rises to the bottom of the heater clips.
3. Detergent is dispensed at the appropriate time and mixed with the hot water. This mixture is pumped through the lower spray arm and sprays against the soiled surfaces of the dishes to remove food particles.
4. Water passes through the fine mesh primary filter where food soil is removed and the clean water is then recirculated.
5. Ports under the lower wash arm direct the food soil through a secondary filter into a collection chamber.
6. Food soil is held in the collection chamber until it is flushed away during the drain cycle.
7. Clean, hot water enters the dishwasher and the sequence is repeated.
8. Beginning with the third water fill, the wash action switches between the lower spray arm and middle spray arm in 90 second intervals. You may notice a change in sound as the wash action pauses and switches to the other arm.
9. The dishwasher may pause during the cycle while water is being heated. Wash action will continue during this time.
10. Rinse aid is automatically dispensed in the final rinse to aid in drying.

Wash Cycle Selections

The Smart Soil Sensor checks the soil level on your dishes in the Heavy Wash, and Normal Wash cycles. Depending on soil level, the sensor will determine if additional water fills are needed to clean the dishes or if water fills can be deleted. Cycle time and water usage will vary based on the amount of soil on the dishes. Cycle time will also vary based on the options selected and the incoming water temperature.

Cycle Chart					
					* Includes dry time.
Cycle	Description	To Select Cycle	Water (approx.)	Time* (approx.)	Washes/Rinses
Heavy Wash	For heavily soiled dishes and silverware.	<ul style="list-style-type: none"> • Select HEAVY WASH. • Select desired OPTIONS. 	8.7 gal. 33.1 liters	150 mins.	5 washes 2 rinses
Normal Wash	For regularly soiled dishes and silverware.	<ul style="list-style-type: none"> • Select NORMAL WASH. • Select desired options. 	7.5 gal. 28.4 liters	125 mins.	4 washes 2 rinses
China Gentle	For lightly soiled China and Crystal.	<ul style="list-style-type: none"> • Select CHINA GENTLE. • Select desired options. 	3.6 gal. 13.6 liters	90 mins.	2 washes 1 rinses
Energy Saver	For lightly soiled or pre-rinsed dishes and silverware.	<ul style="list-style-type: none"> • Select ENERGY SAVER. • Select desired options. 	6.0 gal. 23.7 liters	120 mins.	4 washes 1 rinses
Quick Rinse	For rinsing dishes that will be washed later.	<ul style="list-style-type: none"> • Select QUICK RINSE. DO NOT USE detergent. 	2.5 gal. 9.5 liters	19 mins.	2 rinses

Note: Cycle times are approximate and will vary with options selected. Not all cycles available on all models.

Getting Started

1. Load dishwasher (See Preparing and Loading Dishes).
2. Add detergent (See Dishwasher Dispenser & Detergents).
3. Add rinse aid, if needed (See Rinse Aid).
4. Select desired CYCLE (See Cycle Chart).
5. Select desired OPTIONS (See Option Selections). The indicator will glow when selected.
6. If using WASH DELAY, follow Delay Start instructions on page 8.
7. Run hot water faucet nearest dishwasher until water is hot. Turn water off.
8. To start, press START/CANCEL pad.

Operating Instructions

Status Indicator Lights

The WASHING light comes on at the beginning of cycle and remains on until the end of the final rinse.

When the SANI RINSE option is selected, the SANITIZED light will glow when the SANI RINSE cycle is finished and remain on for 30 seconds after the door is opened. If the dishwasher did not properly sanitize the dishes, the light will not come on. This can happen if the cycle is interrupted or if incoming water temperature is below 120°F.

The CLEAN light will come on at end of cycle and remain on until door is opened.

- PF..... Appears in window when dishwasher is first installed, or when power has been interrupted. HI-TEMP WASH and AIR DRY indicator lights will also flash. To clear, touch START/CANCEL pad.
- 1H-24H..... Number of delay start hours. Count down are in hours.
- Cd..... Close dishwasher door. The status indicator lights will also flash to indicate current cycle status.
- MINUTES..... Number of minutes left in cycle (1-99). If cycle is longer than 99 minutes, the 99 will stay on until the time counts below 99.
- Lo Appears in window when the rinse aid is low and needs to be refilled.

Option Selections

Air Dry

The unit defaults to heated dry when it is started with any cycle selected. This drying uses a combination of the heated dry with rinse aid that achieves enhanced drying performance. If you prefer to only have AIR DRY for dishes, you will select AIR DRY and the unit will not energize the heating element. This will reduce energy consumption, but reduce drying performance.

Hi Temp Wash Option

When HI TEMP WASH option is selected the dishwasher adds temperature, time, and water to the cycle. The dishwasher heats the water in the main wash to approximately 140°F (60°C). The hotter water provided by this option helps activate dishwasher detergent to clean food grease and soil from dishes.

This increase in water temperature helps dishwasher detergent remove food grease and soil from dishes more effectively and aids in drying. HI-TEMP WASH option can be used with all cycles except CHINA GENTLE (some models) and QUICK RINSE. HI-TEMP WASH is automatically provided with HEAVY WASH cycle.

When HI-TEMP WASH option is selected, the light above the pad will come on and remain on until end of cycle. To turn off the HI-TEMP WASH option, press the pad a second time. The light above the pad will turn off.

Delay Start

The DELAY START option allows you to automatically delay starting your dishwasher from 1-24 hours.

On models with 1-24 hour delay, press the DELAY START pad until the desired delay time shows in the STATUS window. A light will come on indicating the delay start hours and will remain on until cycle starts.

To cancel the DELAY START option and begin the cycle before the delay period is over, press the START/CANCEL pad.

Child Lock Controls

To prevent children from accidentally changing the dishwasher cycle or starting the dishwasher, lock the dishwasher controls by pressing and releasing the AIR DRY pad for 8 seconds while the door is latched. An indicator light on the lock graphic pad will illuminate when the controls are locked and no new selections can be made until the lock is released. To unlock the controls, press the AIR DRY pad until the indicator light goes out.

To Cancel a Cycle

You can cancel a cycle anytime during the cycle. Press START/CANCEL pad and the dishwasher will start a 90 second drain. At the end of the drain, select the desired cycle.

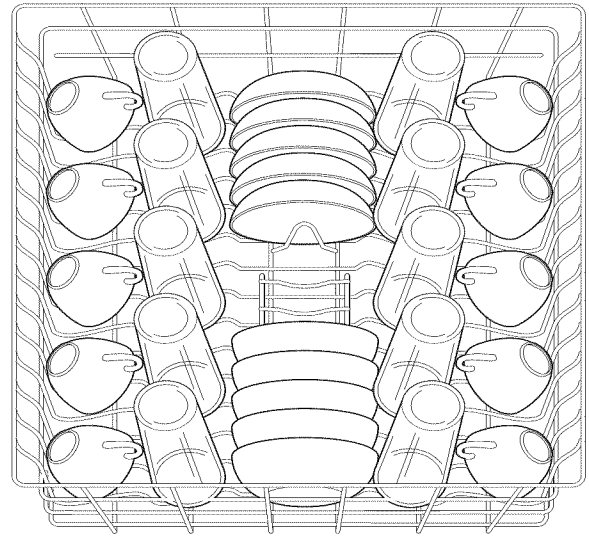
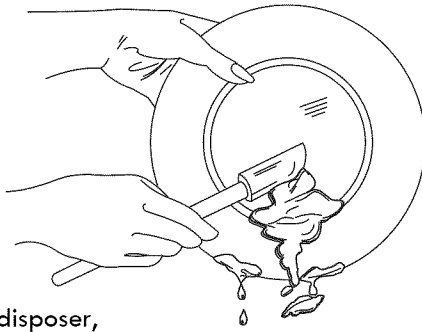
Preparing and Loading Dishes

Dish Preparation

Scrape away large pieces of food, bones, pits, toothpicks, etc. The continuous filtered wash system will remove remaining food particles. Burned-on foods should be loosened before loading. Empty liquids from glasses and cups.

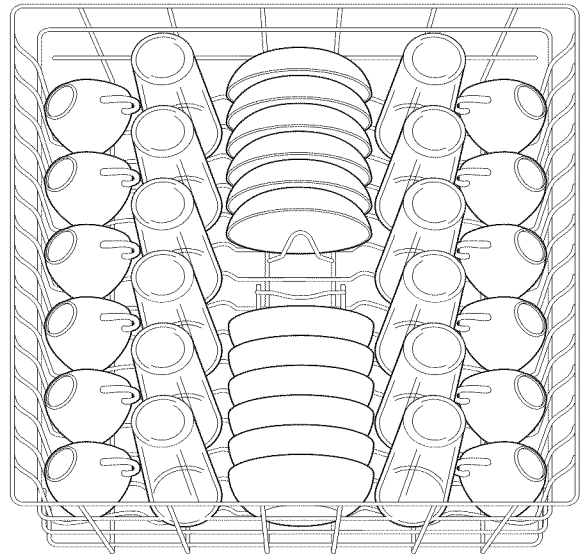
Foods such as mustard, mayonnaise, vinegar, lemon juice and tomato based products may cause discoloration of stainless steel and plastics if allowed to sit for a long period of time. Unless the dishwasher is to be operated at once, it is best to rinse off these food soils.

- Load racks so that large items do not prevent the detergent dispenser from opening.
- Check manufacturer's recommendations before washing items in question.
- If the dishwasher drains into a food disposer, **be sure disposer is completely empty before starting dishwasher.**



10 place settings standard loading pattern

(For best washing performance, the upper rack should be in the raised position.)



12 place settings standard loading pattern

Some models have a fold-down cup shelf or a cup shelf/ stemware holder. They can be used to load two levels of cups, juice glasses, and other short items. Stagger items on upper level so that water can reach all inside surfaces. Fold up to load tall glasses.

Loading the Top Rack

Features and appearance of racks and silverware basket may vary from your model.

The top rack is designed for flexibility in loading a wide variety of items including cups, glasses, stemware, small plates, bowls, etc.

Load glasses in top rack. Damage may occur if placed in bottom rack.

Load plastic items in top rack only. Melting may occur if placed in bottom rack.

Load items with open ends facing down for better cleaning and draining.

Damage may occur if delicate items touch each other during dishwasher operation.

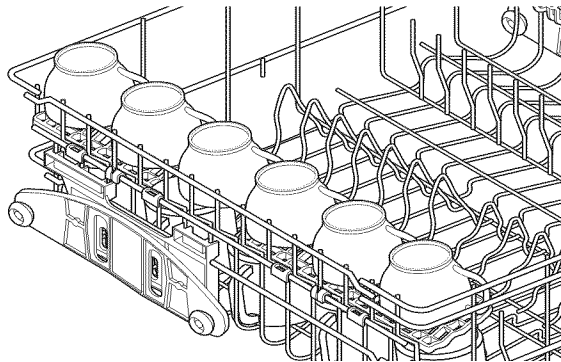
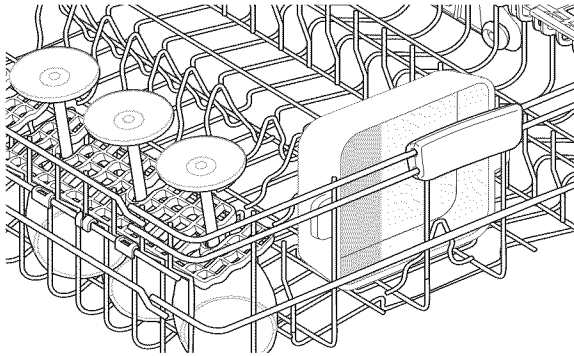
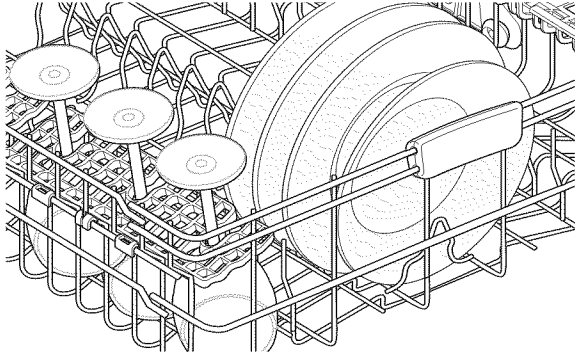
Long-handled knives and utensils can be placed in top rack.

Be sure nothing protrudes through the bottom of the rack to block rotation of middle spray arm.

Preparing and Loading Dishes

Bowl Tines

The bowl tines offer the ultimate in flexibility. When closed, load with saucers or small dishes. Open halfway and it is perfect for small casseroles. Open completely for those hard to fit items such as coffee pots, food processors, etc. As you load your dishwasher, you will find many other ways to use this unique feature.

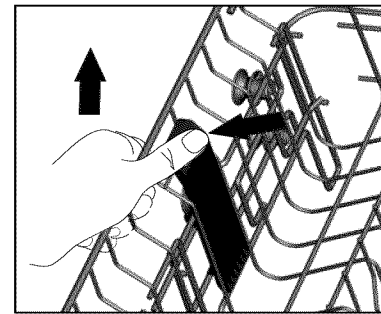
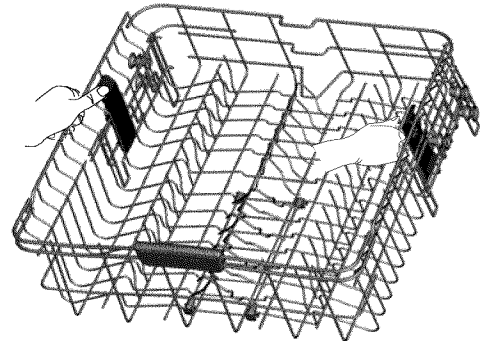


Adjustable Upper Rack (available on select models)

The top rack height can be easily adjusted to accommodate loading taller dishes in either rack. Height should be adjusted without dishes in the racks.

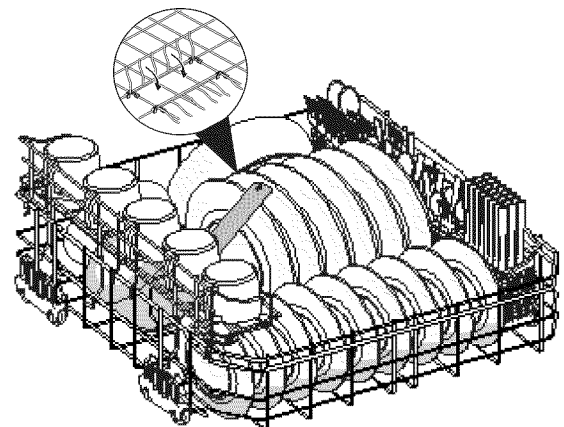
To accommodate taller dishes in the bottom rack, there are 2 positions available:

To raise the rack to the middle or upper position, simply lift the rack. The lever is spring loaded to engage the upper position. To lower the rack to the lower position, push lever with thumbs and push downward simultaneously. To ensure ease of adjustment when adjusting the rack, ensure that the rack remains level from front to back with both sides at the same height.



Fold-down Tines

The fold-down tines in the lower rack make easy loading for those extra large and hard-to-fit items. The tines may be left up for normal use or folded down for more flexible loading. Fold down for more space to load large pots or pans.



Preparing and Loading Dishes

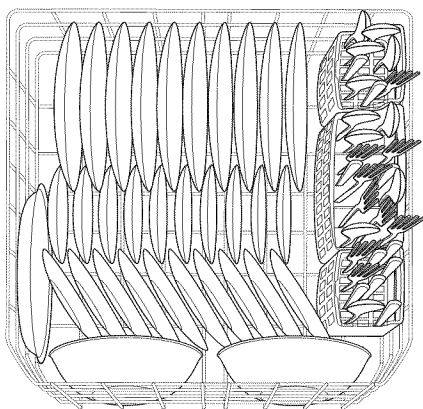
Loading the Bottom Rack

Features and appearance of racks and silverware basket may vary from your model.

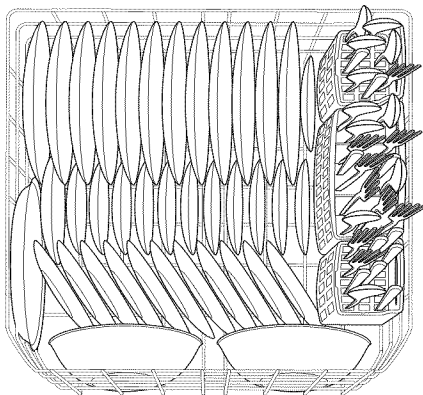
The bottom rack is best for plates, saucers, bowls, and cookware. Large items should be placed along the edge so they do not block the spray arm rotation. For best results, place bowls, casseroles, and sauce pans with soiled surface facing down or toward the center. Tilt slightly for better drainage.

Make sure tall items do not block spray arm rotation.

Be sure pan handles do not protrude through the bottom of the rack and block the spray arm rotation.



10 place setting



12 place setting

Loading the Silverware Basket

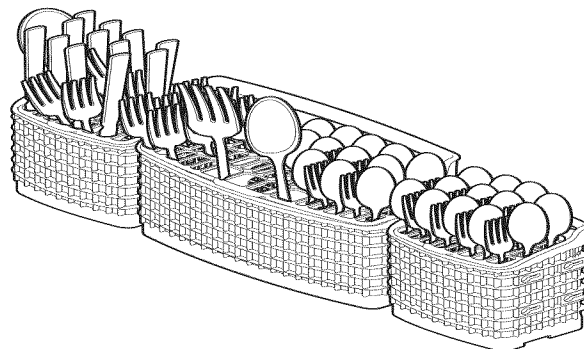
⚠ CAUTION

Cut Injury

Load sharp items (knives, skewers, etc.) pointing down. Failure to do so may result in injury.

Load the silverware basket while it is in the bottom rack or take the basket out for loading on a counter or table.

Place small items like baby bottle caps, jar lids, corn cob holders, etc., in a covered section. Close the cover to hold small items in place.



Features and appearance of racks and silverware basket may vary from your model.

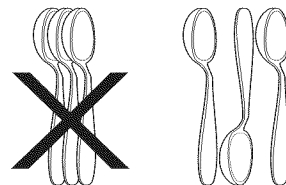
Use suggested loading patterns, as shown, to increase washability of your silverware.

Be sure nothing protrudes through bottom of basket or rack to block the spray arm.

Do not mix silver and stainless to avoid damaging the silver finish.

The silverware basket can be separated and placed in several locations in the bottom rack. Load silverware in all sections or just one, depending on your load.

When covers are up, mix items in each section of the basket with some pointing up and some down to avoid nesting. Water spray cannot reach nested items.



Adding a Dish

To add or remove items after wash cycle starts:

- Unlatch door and wait a few seconds until wash action stops before opening.
- Add the item and wait a few seconds to allow cold air to slowly expand inside dishwasher.
- Close door firmly to latch and resume cycle.

Dishwasher Dispenser & Detergents

Filling the Detergent Dispenser

The detergent dispenser has one main wash cup and one prewash cup. The covered cup opens automatically to release detergent.

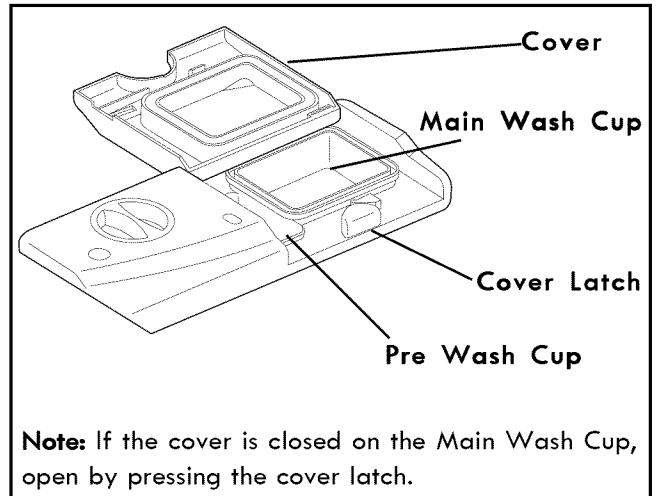
- Use only fresh automatic dishwashing detergent. Other detergents will cause oversudsing.
- When using automatic dishwashing detergent tabs, place one tab in main wash cup and close.
- Add detergent just before starting cycle.
- Store detergent in a cool, dry location. Moist or caked detergent will not dissolve properly.

⚠ CAUTION

The use of industrial grade detergent can damage the heating coil and other parts of the dishwasher leading to damage to the unit and surrounding property. Use only household grade automatic dishwasher detergents.

How much Detergent to use

The amount of detergent to use depends on the water hardness. Water hardness is measured in grains per gallon. Using too little detergent can result in poor cleaning and hard water filming or spotting. Using too much detergent in soft water can cause a permanent film called etching. Your local water company, water softener company or county extension agent can tell you the water hardness in your area.



Detergent Usage Guide				
Cycle	Soft Water (0-3 grains)	Medium Hard Water (4-8 grains)	Hard Water (9-12 grains)	Very Hard Water* (over 12 grains)
Heavy Wash or Normal Wash	2 teaspoons (each cup— 1/4 full)	5 teaspoons (each cup—fill to line above "Regular")	8 teaspoons (each cup— completely full)	Each Cup— Completely Full (water softener recommended)
China Gentle	2 teaspoons (Main Wash cup— 1/4 full)	5 teaspoons (Main Wash cup—fill to line above "Regular")	8 teaspoons (Main Wash cup— completely full)	Each Cup— Completely Full (water softener recommended)
Quick Rinse	No Detergent	No Detergent	No Detergent	No Detergent (water softener recommended)

***Note:** For very hard water, detergent alone may not be enough. A water softener is recommended to improve water quality and dishwashing performance. Try adding more detergent at the beginning of the main wash portion of the cycle. As a rule, use 1 teaspoon for each grain above 12. Unlatch the door, open slowly and add detergent to the bottom of the tub. Close the door to latch and the dishwasher will continue through the cycle.

Dishwasher Dispenser & Detergents

Rinse Aid

Rinse aid greatly improves drying and reduces water spots and filming. Water "sheets" off dishes rather than forming water droplets that cling and leave spots.

A dispenser, located next to the detergent cup, automatically releases a measured amount of rinse aid during the last rinse. If spotting and poor drying are problems, increase the amount of rinse aid dispensed by rotating the dial to a higher number. The dial is located under the dispenser cap. The indicator will be dark when full and will show clear when it is time to refill.

To add liquid rinse aid, turn dispenser cap 1/4 turn counterclockwise and lift out. Pour in rinse aid until liquid touches the indicated fill level. Replace cap.

Do not overfill since this can cause oversudsing. Wipe up any spills with a damp cloth.

The dispenser holds enough for 35 to 140 washes, depending on setting.

Factors Affecting Performance

Water Pressure

The hot water line to dishwasher must provide water pressure between 20 and 120 psi.

Low water pressure may occur when laundry or showers are in operation. Wait until water use is reduced before starting dishwasher.

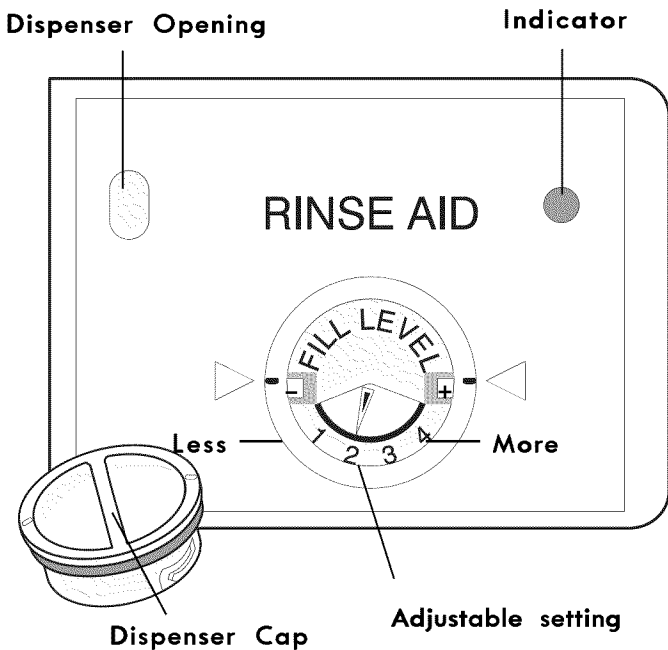
Water Temperature

Hot water is needed for best dishwashing and drying results. Water entering dishwasher should be 120°F (49°C) to give satisfactory results.


To check water temperature entering dishwasher:

- Turn on hot water faucet nearest dishwasher for several minutes to clear cool water from pipes.
- Hold a candy or meat thermometer in stream of water to check the temperature.
- If temperature is below 120°F (49°C), have a qualified person raise the hot water heater thermostat setting.

Important: Before starting a cycle, run hot water to clear cool water from pipe.



Care & Cleaning

⚠ WARNING	
	Burn Hazard Allow heating element to cool before cleaning the interior. Failure to do so can result in burns.

Outside—Occasionally wipe with a mild nonabrasive detergent and water. Rinse and dry.

Clean the Stainless Steel Inner Door and Tub

The tub is made of Stainless Steel, it will not rust or corrode if the dishwasher should be scratched or dented.

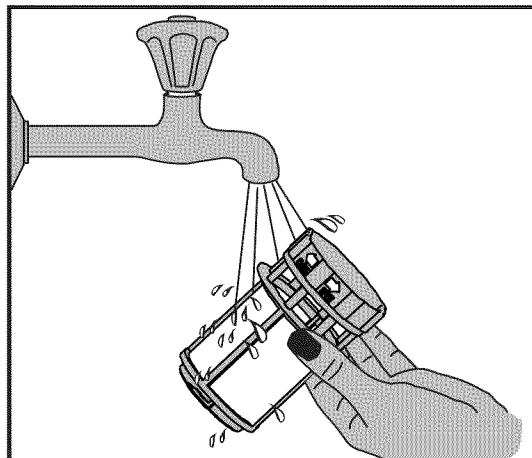
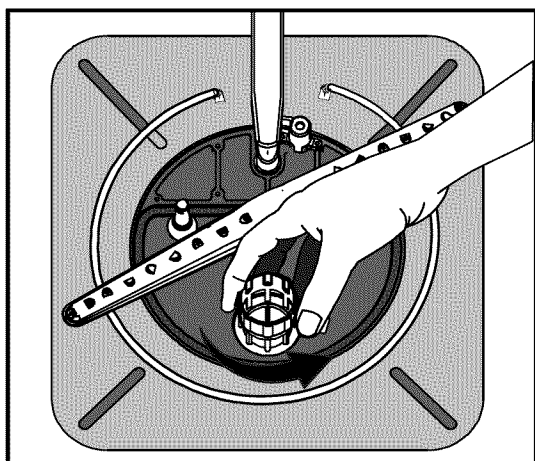
Care of Drain Air Gap

If a drain air gap was installed for your built-in dishwasher, check to make sure it is clean so the dishwasher will drain properly. A drain air gap is usually mounted on countertop and can be inspected by removing the cover. This is not part of your dishwasher and is not covered by warranty.

Clean the Cylinder Filter

The Cylinder Filter is designed to collect some big items such as broken glass, bones and pits. The Cylinder Filter needs to be cleaned to maximize wash performance.

Remove the lower rack, rotate the Cylinder Filter as shown, lift it out, empty and clean it by rinsing it under running water and replace.



Winterizing

A dishwasher left in an unheated place should be protected from freezing. Have a qualified person do the following:

To Disconnect Service:

1. Turn off electrical power to the dishwasher at the supply source by removing fuses or tripping circuit breaker.
2. Shut off water supply.
3. Place a pan under the inlet valve. Disconnect water line from inlet valve and drain into pan.
4. Disconnect drain line from pump and drain water into pan.

Note: See Installation Instructions for more details.

To Restore Service:

1. Reconnect the water, drain and electrical power supply.
2. Turn on water and electrical power supply.
3. Fill both detergent cups and run dishwasher through a HEAVY WASH cycle.
4. Check connections to make sure they do not leak.

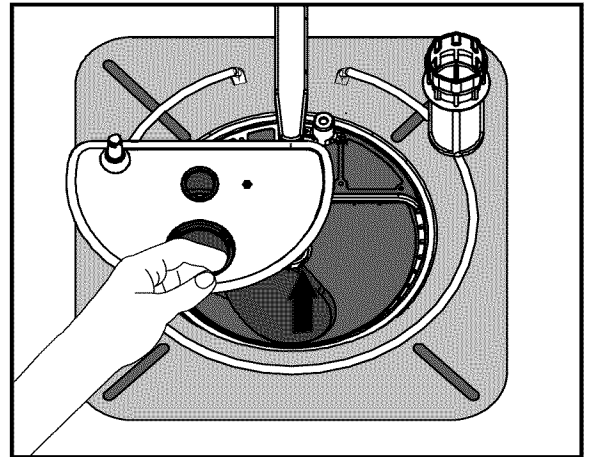
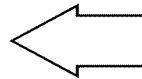
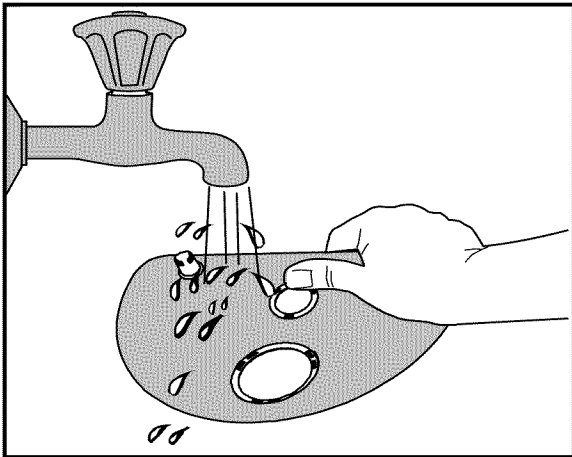
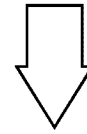
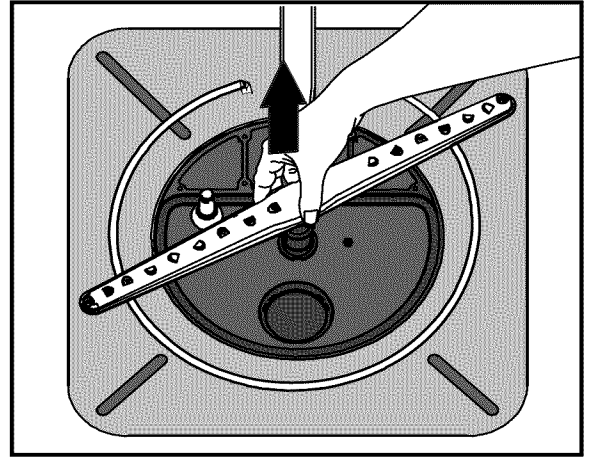
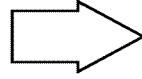
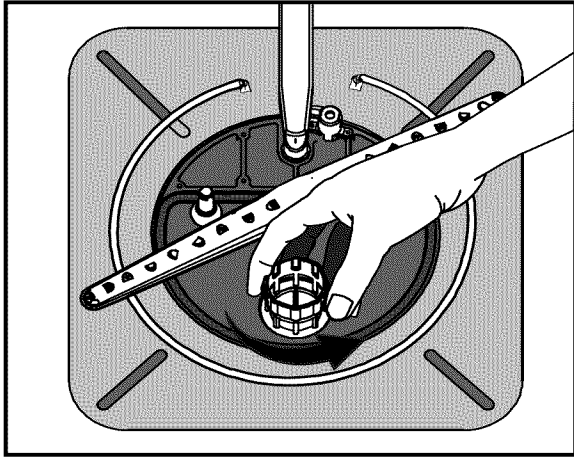
Note: See Installation Instructions for more details.

⚠ CAUTION
Property Damage Hazard Freezing temperatures may cause water lines to rupture. Be sure all supply lines to and circulating lines within dishwasher are protected. Failure to do so could result in property damage.

Care & Cleaning

Clean the Fine Filter

Take out the Cylinder Filter and remove the Fine Filter from the dishwasher tub bottom. To remove the Fine Filter you must first remove the bottom spray arm as shown below. Flush the Fine Filter by holding it under running water and replace.



Solutions to Common Dishwashing Problems

Before calling for service, review this list. It may save you both time and expense. This list includes common experiences that are not the result of defective workmanship or material in your dishwasher.

Food Soils Left on Dishes

- Choose another cycle for longer washing time.
- Check rack loading section for proper loading—avoid nesting items.
- Home water pressure may be too low—should be 20 to 120 pounds per square inch (psi).
- Check incoming water temperature. It should be 120°F (49°C). (See Factors Affecting Performance.)
- Check water hardness. For extremely hard water, it may be necessary to install a water softener. (See Detergent Chart.)
- Use fresh detergent.
- Check to make sure funnel in top rack is not blocked.
- Make sure items are not blocking the spray arms, preventing them from rotating.

Dishes not Dry

- Select HEAT DRY option.
- Make sure the rinse aid dispenser is filled.
- Increase the amount of rinse aid. (See Rinse Aid.)
- Check the incoming water temperature. It should be 120°F (49°C).
- Check for proper loading—avoid nesting items.
- Plastic items may need to be towel dried.
- Cups with a concave bottom will collect water.

Glassware/Flatware Spotted or Cloudy

- Check water hardness. For extremely hard water, it may be necessary to install a water softener. (See Dishwasher Dispenser & Detergents.)
- Water temperature may be low. Avoid extremely low or high temperatures. (See Factors Affecting Performance.)
- Avoid overloading and improper loading. (See Preparing and Loading Dishes.)
- Use fresh detergent. Old detergent is ineffective.
- Make sure rinse aid dispenser is filled.
- Check to see that proper amount of detergent is being used for cycle selected. Also, check phosphate level. (See Detergent Usage Guide.)
- Home water pressure may be too low—it should be 20 to 120 pounds per square inch (psi).

Dishware Chipped

- Load with care and do not overload. (See Preparing and Loading Dishes.)
- Place delicate items in top rack.
- Place glasses securely against pins and not over pins.
- Load items so they are secure and don't jar loose when moving racks in and out. Move racks in and out slowly.
- Make sure tall glasses and stemware will clear top of tub when rack is pushed in.
- Fine antique china and crystal should be hand-washed.

Dishware Stained or Discolored

- Tea and coffee can stain cups. Remove the stains by hand washing in a solution of 1/2 cup (120 ml) bleach and one quart (1 L) of warm water. Rinse thoroughly.
- Iron deposits in water can cause a yellow or brown film. A special filter installed in the water supply line will correct this problem. (See Removing Spots and Film.)
- Aluminum utensils can leave gray/black marks when they rub against other items. Load properly.
- Certain high acid foods can cause discoloration of stainless steel and plastics if allowed to sit for a long period.
- Mixing stainless steel and silver utensils in silverware basket can cause pitting of the stainless steel blades. Avoid mixing stainless steel and silver.

Etching

- Using too much detergent in soft or softened water causes this film that cannot be removed.
- Adjust the amount of detergent based on the water hardness. (Check Detergent Usage Guide.)
- Lower the water temperature.

Detergent Left in Cups

- Detergent may be old. Discard and use fresh detergent.
- Be sure water action can reach the dispenser.
- Check to see if cycle has been completed.
- Make sure items do not prevent the detergent dispenser from opening.

Solutions to Common Dishwashing Problems

Dishwasher Leaks

- Use only fresh detergent designed for automatic dishwashers. Measure detergent carefully. Try a different brand.
- Spilled rinse aid can cause foam and lead to overflowing. Wipe up any spills with a damp cloth.
- Check to see that dishwasher is level.
(See Installation Instructions.)

Normal Sounds You Will Hear

- Normal sounds include water fill, water circulation and motor sounds.
- There is a noticeable change in sound when the wash action switches between the lower and middle spray arm. This is normal since each spray arm has its own sound.
- It is normal for dishwasher to pause (no sound) when the wash action is switching between the lower and middle spray arms.

Water in Bottom of Tub

- Water left in bottom of tub after cycle is complete is not normal. If water remains in the bottom of the tub, dishwasher may not be draining properly. (See Dishwasher Does Not Drain Properly.)

Vapor at Vent

- Water vapor escapes from the vent during the drying part of cycle. This is normal.

Dishwasher Won't Start

- Check to see if circuit breaker is tripped or if a fuse is blown.
- Make sure water supply is turned on.
- Check to see if cycle is set correctly.
(See Operating Instructions.)
- Is dishwasher set for delay start option?
- Make sure door is closed and latched.

Dishwasher Does Not Drain Properly

- If unit is hooked up to a food waste disposer, make sure the disposer is empty.
- Check to see if the knockout plug has been removed from inside the food waste disposer inlet.
- Check to see if drain hose is kinked.
- Make sure cycle is complete, not in a pause.

Cycle Takes a Long Time

- Is cycle in a water heating delay?
- Check incoming water temperature. It should be 120°F (49°C).
- Has the delay start option been selected?

Dishwasher Won't Fill

- Is water supply turned on?
- Does overflow protector move up and down freely? (See Overflow Protector section.)
- The normal full water level of the dishwasher will only reach the bottom of the heater clips.

Dishwasher Has an Odor

- Soiled dishes left in dishwasher too long can create an odor.
- There will be a "new" smell when first installed. This is normal.
- Check to see if unit is draining properly. (See Dishwasher Does Not Drain Properly.)

Stains on Tub Interior

- Washing large amounts of dishware with tomato based soil can cause a pink/orange appearance. This will not affect performance and will gradually fade over time. Pre-rinsing will reduce the chance of staining. Using the heat dry off option will lessen staining.

Removing Spots and Film

Hard water can cause lime deposit buildup on the interior of the dishwasher. Dishes and glasses may also get spots and film for a number of reasons. (See Glassware/Flatware Spotted or Cloudy section.) To remove buildup, spots and film, clean using the following instructions:

1. Load clean dishes and glasses in normal manner. Do not load any metal utensils or silverware.
2. Do not add detergent.
3. Select the HEAVY WASH cycle. Close and latch door.
4. Allow dishwasher to run for 20 minutes to reach the main wash portion of cycle.
5. Unlatch and open door and pour 2 cups of white vinegar into the bottom of dishwasher.
6. Close and latch door and allow cycle to finish.

Note: If these conditions persist, a home water softener should be considered.

Master Protection Agreements

Congratulations on making a smart purchase. Your new Kenmore® product is designed and manufactured for years of dependable operation. But like all products, it may require preventive maintenance or repair from time to time. That's when having a Master Protection Agreement can save you money and aggravation.

The Master Protection Agreement also helps extend the life of your new appliance. Here's what the Agreement* includes:

- ☑ **Parts and labor** needed to help keep products operating properly **under normal use**, not just defects. Our coverages goes **well beyond the product warranty**. No deductibles, no functional failure excluded from coverage - **real protection**.
- ☑ **Expert service** by a force of more than **10,000 authorized Sears service technicians**, which means someone you can trust will be working on your product.
- ☑ **Unlimited service and nationwide service**, as often as you want us, whenever you want us.
- ☑ **"No-lemon" guarantee** – replacement of your covered product if Four or more product failures occur within twelve months
- ☑ **Product replacement** if your covered product can't be fixed
- ☑ **Annual Preventive Maintenance Check** at your request - no extra charge
- ☑ **Fast help by phone** – we call it **Rapid Resolution** - phone support from a Sears representative on all products. Think of us as a "talking owner's manual"
- ☑ **Power surge protection** against electrical damage due to power fluctuations
- ☑ **\$250 Food Loss Protection** annually for any food spoilage that is the result of mechanical failure of any covered refrigerator or freezer.
- ☑ **Rental reimbursement** if repair of your covered product takes longer than promised
- ☑ **10% discount** off the regular price of any non-covered repair service and related installed parts.

Once you purchase the Agreement, a simple phone call is all that it takes for you to schedule service. You can call anytime day or night, or schedule a service appointment online.

The Master Protection Agreement is a risk free purchase. If you cancel for any reason during the product warranty period, we will provide a full refund. Or, a prorated refund anytime after the product warranty period expires. Purchase your Master Protection Agreement today!

Some limitations and exclusions apply. For prices and additional information call 1-800-827-6655.

***Coverage in Canada varies on some items. For full details call Sears Canada at 1-800-361-6665.**

Sears Installation Service

For Sears professional installation of home appliances, garage door openers, water heaters, and major home items, in the U.S.A. call **1-800-4-MY-HOME®**.

Table des matières

Caractéristiques	16	Facteurs affectant le rendement	23
Consignes de sécurité.....	17	Entretien et nettoyage.....	24
Fonctionnement de l'appareil.....	18-19	Solutions aux problèmes d'utilisation courante.....	25-26
Préparation et chargement de la vaisselle	20-21	Contrats de Protection Principaux	27
Distributeurs et de détergents.....	22-23	Services Sears	Dernière de couverture

Garantie Sur les Appareils Kenmore

Garantie limitée d'un an

Si le produit est installé, utilisé et entretenu selon toutes les instructions fournies et qu'il présente un problème relié à un défaut de fabrication ou à un vice de matériau au cours de l'année suivant la date d'achat, téléphonez au 1-800-4-MY-HOME® pour obtenir une réparation gratuite de l'appareil. Si cet appareil est utilisé à d'autres fins que l'usage familial privé, cette garantie est valide seulement pendant 90 jours suivant la date d'achat.

Cette garantie couvre seulement les défauts de fabrication ou les vices de matériau. Sears NE COUVRE PAS les frais reliés :

1. Aux articles consommables qui sont sujets à l'usure normale, incluant, sans en exclure d'autres, filtres, courroies, ampoules et sacs.
2. À la visite d'un réparateur pour démontrer l'installation, l'utilisation et l'entretien appropriés de l'appareil.
3. À la visite d'un réparateur pour nettoyer ou entretenir l'appareil.
4. Aux dommages ou pannes causés par une mauvaise installation, utilisation ou entretien qui n'ont pas été effectués selon toutes les instructions fournies avec ce produit.
5. Aux dommages ou pannes causés par un accident, un abus, une mauvaise utilisation ou toute utilisation autre que celle pour laquelle il a été conçu.
6. Aux dommages ou pannes causés par l'utilisation de détergents, nettoyeurs, produits chimiques ou accessoires autres que ceux recommandés dans toutes les instructions fournies avec ce produit.
7. Aux dommages affectant les pièces ou les systèmes ou aux pannes causés par des modifications du produit non autorisées.

À l'avis de garanties implicites; limitations des recours

L'unique recours du client en vertu de cette garantie limitée est la réparation du produit comme décrit précédemment. Les garanties implicites, y compris les garanties implicites de qualité marchande et d'adaptation à un usage particulier, sont limitées à un an ou à la période la plus courte permise par la loi. Sears ne peut être tenue responsable des dommages directs ou indirects. Certains États et certaines provinces ne permettent pas de restriction ou d'exemption sur les dommages directs ou indirects, ou de restriction sur les garanties implicites de qualité marchande ou d'adaptation à un usage particulier. Dans ce cas, ces restrictions ou exemptions pourraient ne pas être applicables.

Cette garantie est valide seulement si ce produit est utilisé aux États-Unis ou au Canada.

Cette garantie vous donne des droits juridiques spécifiques et vous pouvez aussi bénéficier d'autres droits qui varient d'un État à un autre, ou d'une province à une autre.

Sears Brand Management Corporation, Hoffman Estates, IL 60179 USA

Sears Canada Inc., Toronto, Ontario, Canada M5B 2B8

Enregistrement du Produit

Dans l'espace ci-dessous, inscrivez les numéros complets du modèle et de série, et la date d'achat. Vous pouvez trouver cette information sur l'étiquette des numéros de modèle et de série, à l'emplacement indiqué dans la section Fonctionnement de l'appareil de ce livret. Munissez-vous de cette information pour obtenir de l'aide rapidement lorsque vous contactez Sears au sujet de votre électroménager.

Registro de productos

Numéro de modèle: **587.** _____

Numéro de série: _____

Date d'achat: _____

Consignes de sécurité importantes

⚠ AVERTISSEMENT

Pour réduire les risques d'incendie, de choc électrique ou de blessures en utilisant votre lave-vaisselle, suivez les précautions qui s'imposent, incluant celles qui suivent:

- Lisez toutes les instructions avant de faire fonctionner votre lave-vaisselle.
 - N'utilisez votre lave-vaisselle que selon les instructions incluses dans ce guide d'entretien et d'utilisation.
 - Les instructions contenues dans le présent guide d'entretien et d'utilisation ne visent pas à couvrir toutes les situations qui pourraient se présenter. Faites preuve de sens pratique et prenez les précautions qui s'imposent lors de l'installation, l'utilisation et l'entretien de tout appareil électroménager.
 - **LE CIRCUIT ÉLECTRIQUE DE CE LAVE-VAISSELLE DOIT ÊTRE MIS À LA TERRE.** Lisez les instructions d'installation pour de plus amples informations.
 - Ce lave-vaisselle est conçu pour fonctionner avec un courant résidentiel normal (120 volts, 60 hertz). Utilisez un circuit équipé d'un fusible ou un disjoncteur de 15 ampères. Utilisez un fusible de 20 ampères si le lave-vaisselle est connecté avec un broyeur à déchets.
 - Ne faites pas fonctionner le lave-vaisselle si tous les panneaux de carrosserie ne sont pas correctement en place.
 - Pour éviter qu'une personne puisse s'enfermer à l'intérieur de l'appareil et/ou y suffoquer, retirez la porte ou le mécanisme de verrouillage de porte de tout lave-vaisselle inutilisé ou mis aux rebuts.
 - Tenez vos bébés et enfants loin du lave-vaisselle en fonctionnement.
 - Ne laissez pas vos enfants faire une utilisation abusive, s'asseoir, grimper ou jouer sur la porte ou les paniers du lave-vaisselle.
 - Utilisez seulement les détergers et agents de rinçage recommandés pour lave-vaisselle.
 - Placez les détergers et agents de rinçage hors de la portée des enfants.
 - Les réparations doivent être faites par un technicien qualifié.
 - Ne modifiez pas les commandes.
- Ne lavez pas les articles en plastique à moins d'indication contraire sur les étiquettes. S'il n'y a aucune indication à cet effet vérifiez avec le fabricant. Les articles non recommandés pour être lavés au lave-vaisselle risquent de fondre et de créer un risque d'incendie.
 - Si le lave-vaisselle vidange dans un broyeur à déchets, assurez-vous que ce dernier est complètement vide avant de mettre en marche le lave-vaisselle.
 - Débranchez l'alimentation électrique au lave-vaisselle avant d'entreprendre tout travail d'entretien ou de réparation.
 - Ne touchez pas l'élément chauffant pendant ou immédiatement après l'utilisation.
 - Pour ranger les articles dans le lave-vaisselle:
 - Ranger les couteaux et articles pointus pour qu'ils ne risquent pas d'endommager le joint de la porte ou la cuve.
 - Placer les couteaux et articles pointus, manches vers le haut pour réduire le risque de coupures.
 - Dans certaines conditions, il est possible qu'il se produise une formation d'hydrogène dans la canalisation d'eau chaude inutilisée depuis 2 semaines ou plus. **L'HYDROGÈNE EST UN GAZ EXPLOSIF.** Si la canalisation d'eau chaude n'a pas été utilisée pendant un tel laps de temps, ouvrez tous les robinets d'eau chaude et laissez couler l'eau pendant plusieurs minutes avant d'utiliser le lave-vaisselle. Ceci permettra d'évacuer tout hydrogène accumulé. **L'HYDROGÈNE EST UN GAZ INFLAMMABLE.** Ne fumez ou n'allumez aucune flamme dans une telle situation.
 - N'entrez et n'utilisez pas d'essences et combustibles ou d'autres produits inflammables à proximité de cet appareil ou de tout autre appareil électro-ménager.

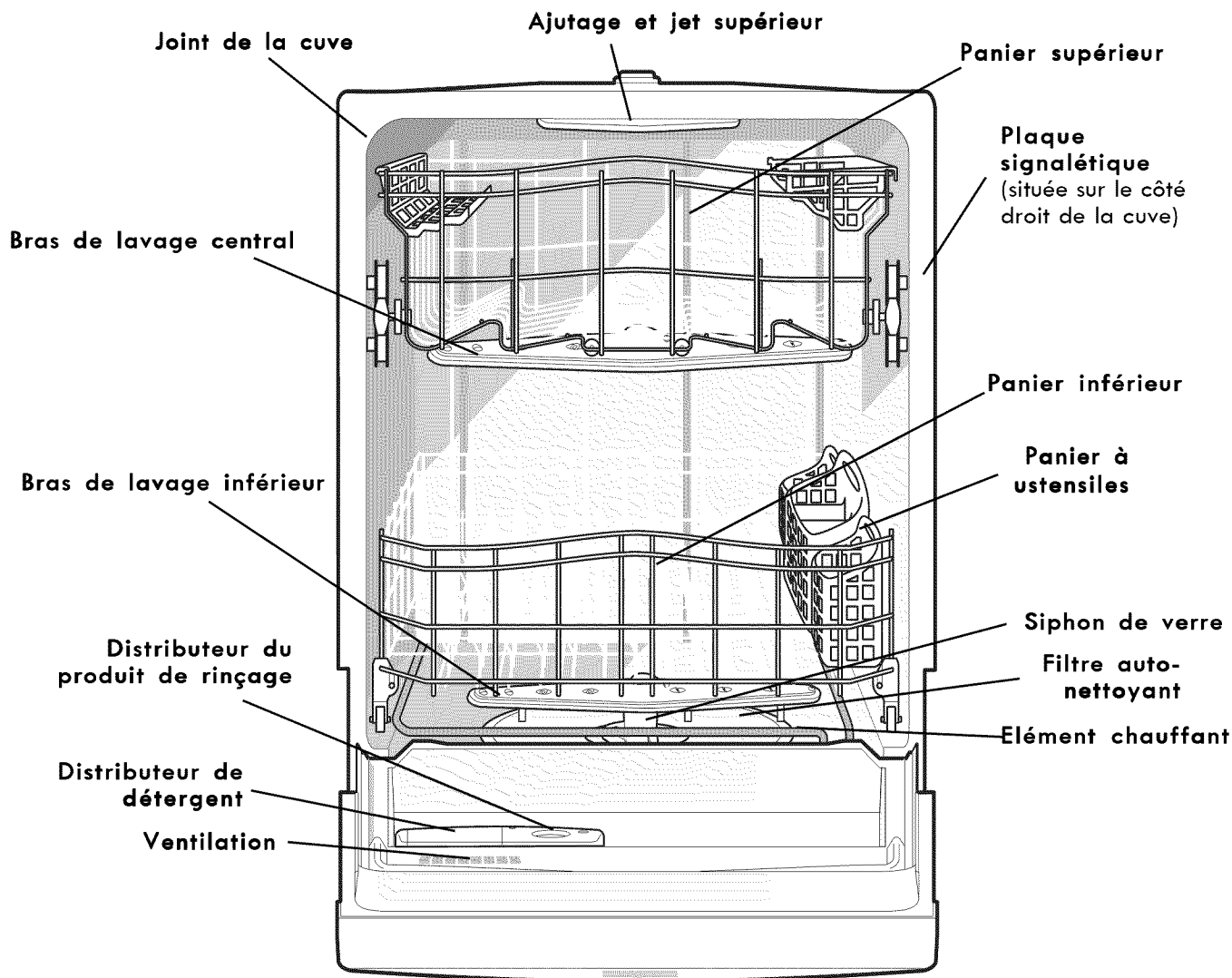
⚠ AVERTISSEMENT

Ce pictogramme vise à vous avertir de situations dangereuses susceptibles de causer des blessures graves, des brûlures, un incendie ou des chocs électriques.

CONSERVEZ CES INSTRUCTIONS

Fonctionnement de L'appareil

Votre lave-vaisselle lave la vaisselle et les ustensiles en faisant gicler un mélange d'eau chaude et de détergent à travers les bras de lavage contre les surfaces souillées. Chaque cycle démarre par une vidange. Par la suite, le lave-vaisselle se remplit d'eau de manière à recouvrir le filtre. L'eau est ensuite pompée à travers le filtre et les bras de lavage. L'eau sale chargée de particules solides est pompée par le tuyau d'écoulement et remplacée par de l'eau propre. Le nombre de remplissages d'eau dépend du cycle sélectionné.



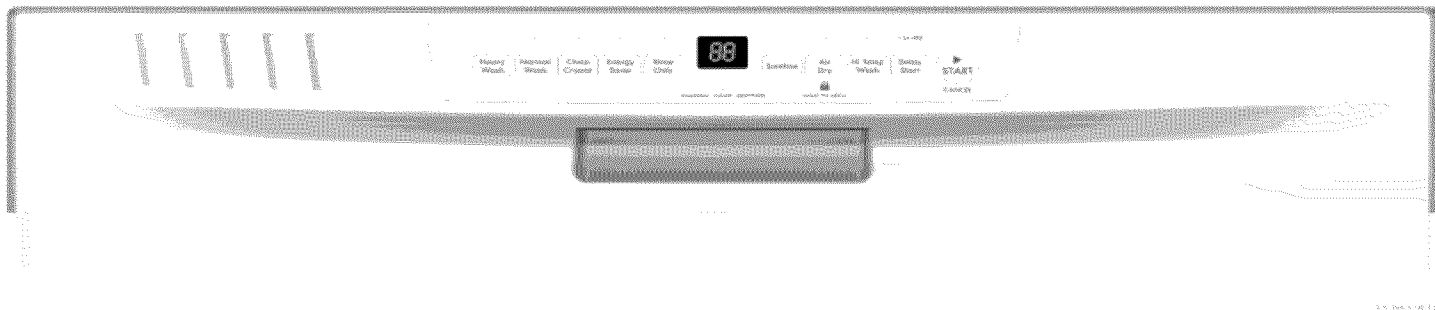
Démarrage

1. Charger le lave-vaisselle (voir Préparation et chargement de la vaisselle).
2. Ajoutez le détergent (voir Distributeurs et détergents).
3. Ajoutez le produit de rinçage, si nécessaire (voir Produits de rinçage).
4. Sélectionnez le cycle (CYCLE) désiré (voir Tableau des cycles).
5. Sélectionnez les OPTIONS (voir Options) souhaitées. Le voyant indicateur au-dessus de la plage sera incandescent.
6. Si vous utilisez le lavage différé (WASH DELAY), suivre les instructions de DELAY START.
7. Ouvrir le robinet d'eau chaude situé le plus près du lave-vaisselle pour purger l'eau froide du tuyau. Fermer le robinet.
8. Pour démarrer le lave-vaisselle, fermer la porte à fond. Le témoin lumineux ON (MARCHE) restera allumé pendant le lavage, le rinçage et le séchage.

Pour annuler un cycle

Il est possible d'annuler un cycle à n'importe quel moment du fonctionnement. Enfoncer le bouton START/CANCEL et le lave-vaisselle entamera un cycle de 90 secondes de vidange. A la fin de la vidange, sélectionner le cycle désiré.

Fonctionnement de L'appareil



L'apparence peut être différente de celle de votre modèle.

Sur certains modèles, le Smart Sensor vérifie le degré de saleté de la vaisselle pour les cycles Heavy Wash, et Normal Wash cycles. Selon le degré de saleté, le détecteur détermine le besoin de remplissages d'eau supplémentaires pour nettoyer la vaisselle ou la suppression de remplissages d'eau inutiles. La durée des cycles et la quantité d'eau utilisée varient en fonction du degré de saleté de la vaisselle. La durée de cycle varie également en fonction des options sélectionnées et de la température de l'eau à l'arrivée. Pas tous les cycles sont disponibles sur tous les modèles.

Tableau des cycles * Comprend le temps de séchage					
Cycle	Description	Pour sélectionner le cycle	Eau (approx.)	Durée* (approx.)	Lavages/Rinçages
Lavage long (Heavy Wash)	Pour la vaisselle et les ustensiles très sales.	<ul style="list-style-type: none"> • Sélectionnez HEAVY WASH. • Sélectionnez les OPTIONS désirées. 	33,1 litres	150 mins	5 lavages 2 rinçages
Lavage normal (Normal Wash)	Pour la vaisselle et les ustensiles moyennement sales.	<ul style="list-style-type: none"> • Sélectionnez NORMAL WASH. • Sélectionnez les OPTIONS désirées. 	28,4 litres	125 mins	4 lavages 2 rinçages
Porcelaine Gentle (China Gentle)	Utiliser ce réglage pour la vaisselle en porcelaine et en crystal.	<ul style="list-style-type: none"> • Sélectionnez CHINA GENTLE. • Sélectionnez les OPTIONS désirées. 	13,6 litres	90 mins	2 lavage 1 rinçages
Épargnant d'énergie (Energy Saver)	Pour la vaisselle et les ustensiles peu sales ou rincés au préalable.	<ul style="list-style-type: none"> • Sélectionnez ENERGY SAVER. • Sélectionnez les OPTIONS désirées. 	23,7 litres	120 mins	4 lavage 1 rinçages
Rinçage rapide (Quick Rinse)	Pour rincer la vaisselle qui sera lavée plus tard.	<ul style="list-style-type: none"> • Sélectionnez QUICK RINSE. NE PAS UTILISER de détergent. 	9,5 litres	19 mins	2 rinçages

Note: Les durées des cycles sont approximatives et varient selon les options sélectionnées. Pas tous les cycles sont disponibles sur tous les modèles.

Verrou de sécurité pour éviter que les enfants changent les réglages

Pour éviter que les enfants ne changent accidentellement le réglage ou la mise en marche du lave-vaisselle, verrouillez les commandes du lave-vaisselle en appuyant momentanément sur la touche AIR DRY (sur certains modèles) pendant 8 secondes alors que la porte est verrouillée. Un témoin lumineux sur la touche avec cadenas s'allume quand les commandes sont verrouillées; aucune nouvelle sélection ne peut être faite sans déverrouillage préalable.

REMARQUE

Le lave-vaisselle est programmé pour se souvenir du dernier cycle, ce qui évite d'avoir à le reconfigurer à chaque fois. Pour démarrer le lave-vaisselle en utilisant les options sélectionnées au cours du dernier lavage, il suffit de tourner le bouton de Sélection sur le cycle choisi et d'enfoncer le bouton START/CANCEL.

Fonctionnement de L'appareil

Choix du cycle de lavage

Les durées des cycles sont approximatives et varient selon les options sélectionnées. L'eau doit être chaude pour activer le détergent pour lave-vaisselle et faire fondre les particules de graisse alimentaire. Un détecteur automatique vérifie la température de l'eau qui arrive et, si elle n'est pas assez chaude, une minuterie retarde l'arrivée d'eau pour permettre le chauffage automatique de l'eau du lavage principal de tous les cycles. Ceci se produit même si l'option HI-TEMP WASH n'a pas été sélectionnée. Quand l'option HI-TEMP WASH est sélectionnée, une eau de température encore plus élevée sera introduite dans le lave-vaisselle pour laver les chargements de vaisselle les plus sales.

Démarrage retardé (Delay Start)

L'option DELAY START vous permet de différer le départ de votre lave-vaisselle automatiquement 1 à 24 heures.

Sur les modèles avec départ différé de 1 à 24 heures, appuyez sur la touche DELAY START jusqu'à l'apparition de l'attente voulue sur l'afficheur STATUS. Un voyant s'allumera pour indiquer l'heure du départ et restera allumé jusqu'au début du cycle.

Pour annuler l'option DELAY START et démarrer le cycle avant que le compte à rebours ne soit terminé, appuyer sur la touche START/CANCEL.

Options

Option lavage haute température

(Hi-Temp Wash)

Lorsque l'option HI-TEMP WASH est sélectionnée, le lave-vaisselle porte la température de l'eau du lavage principal à environ 60°C (140°F).

Cette augmentation de la température de l'eau renforce l'action du détergent du lave-vaisselle pour enlever la graisse des ustensiles et les restes de nourriture plus efficacement et permet un séchage plus rapide de la vaisselle. L'option HI-TEMP WASH peut être utilisée avec tous les cycles sauf CHINA GENTLE (certains modèles) et QUICK RINSE. L'option HI-TEMP WASH (lavage à haute température) est fournie automatiquement lorsque le cycle HEAVY WASH (Lavage Heavy) est sélectionné.

Quand l'option HI-TEMP WASH est sélectionnée, le voyant lumineux situé au dessus du bouton s'allume et il ne s'éteint qu'à la fin du cycle. Pour annuler l'option HI-TEMP WASH, enfoncer le bouton une deuxième fois. Le voyant au dessus du bouton s'éteint.

Séchage à l'air (Air Dry)

Lorsque l'appareil est en marche et qu'un cycle est sélectionné, l'option de séchage à chaud est sélectionnée par défaut. Ce type de séchage combine le séchage à chaud et un agent de rinçage qui optimisent le séchage. Si vous souhaitez utiliser uniquement le AIR DRY (Séchage à l'air) pour la vaisselle, sélectionnez AIR DRY (Séchage à l'air) et l'élément chauffant de l'appareil ne sera pas mis en marche. Cela permet de réduire la consommation d'énergie, mais réduit la performance du séchage.

Fonctionnement des voyants lumineux

Le voyant de lavage s'allume au début du cycle et demeure allumé jusqu'à la fin du cycle.

Quand l'option SANITIZE est sélectionnée, le témoin SANITIZED s'allume quand le cycle SANITIZE est terminé. Si la vaisselle n'a pas subi un lavage sanitaire, le témoin ne s'allumera pas. Ceci peut se produire si le cycle est interrompu. Le témoin demeure allumé jusqu'à l'ouverture de la porte.

Le voyant lumineux CLEAN s'allume à la fin du cycle et ne s'éteint qu'à l'ouverture de la porte du lave-vaisselle.

Dans le cas peu probable d'un mauvais fonctionnement du lave-vaisselle, il se peut que l'indicateur affiche l'un des codes suivants : « Er », « uF », « uo » ou « CE ». Si l'un de ces codes s'affiche, communiquez avec le Centre de service à la clientèle d'Electrolux au **1 800 944-9044**. Des gens vous aideront à l'heure nécessaire.

Fenêtre de contrôle

La fenêtre de contrôle disponible indique les informations suivantes:

1H-24H.....	Nombre d'heures de retard de démarrage. La dernière heure sera décomptée en minutes.
Cd.....	Fermer la porte du lave-vaisselle. Les signaux lumineux de la fenêtre se mettront également à clignoter pour indiquer le cycle en cours.
MINUTES.....	Si le cycle dure plus longtemps que 99 minutes, un petit signal lumineux apparaîtra dans le coin inférieur droit et restera allumé jusqu'à ce qu'il reste moins de 99 minutes.
PF.....	Apparaît sur la fenêtre lors de la première installation ou lorsqu'il y a eu une panne d'électricité. Les signaux lumineux HI-TEMP WASH et AIR DRY clignotent également. Pour annuler, appuyer sur la touche START/CANCEL.
LO.....	S'affiche dans l'écran lorsque la quantité d'agent de rinçage est faible et que le réservoir doit être rempli de nouveau.

Préparation et chargement de la vaisselle

Préparation de la vaisselle

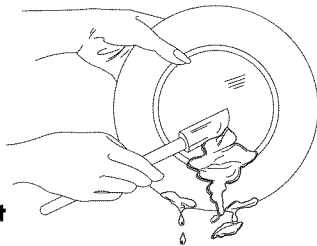
Enlever tout gros morceau d'aliment, os, noyau, cure-dent, etc... Le système de lavage à filtration continue enlèvera les particules d'aliments résiduels. Il faut également décoller les aliments brûlés avant de charger la vaisselle. Vider tout liquide des verres et des tasses.

Les aliments comme la moutarde, la mayonnaise, le vinaigre, le jus de citron et les produits à base de tomate risquent de décolorer l'acier inoxydable et les plastiques s'ils restent sur la vaisselle pour une longue période de temps. Il est préférable de rincer ces saletés auparavant, à moins que l'on compte faire fonctionner le lave-vaisselle immédiatement.

- Charger les paniers de manière à ce que les gros articles ne gênent pas l'ouverture du distributeur de détergent.

- Vérifier les recommandations du fabricant avant de laver tout article.

- Si le lave-vaisselle vidange dans un broyeur d'aliments, **vous assurer qu'il est complètement vide avant de démarrer le lave-vaisselle.**



Chargement du panier supérieur

Les fonctions et l'apparence des paniers, y compris de celui des couverts, peuvent être différents de celles de votre modèle.

Le panier supérieur est conçu pour vous permettre de charger de nombreuses façons différentes un grand nombre d'ustensiles comprenant les tasses, les verres, les ustensiles à manche, les petites assiettes, les bols, etc.

Placez les verres dans le panier supérieur. Ils peuvent être cassés s'ils sont placés dans le panier inférieur.

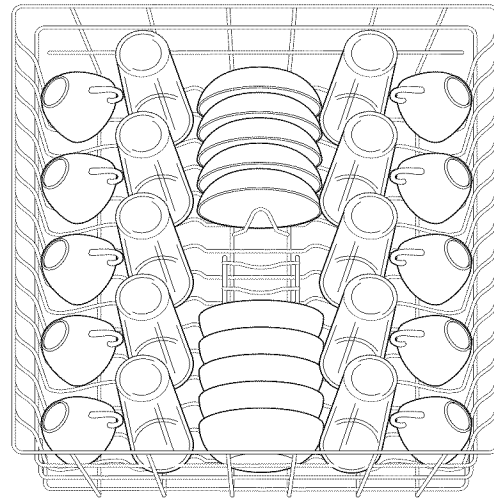
Les articles en plastique doivent être placés uniquement dans le panier supérieur. Ils peuvent fondre s'ils sont placés dans le panier inférieur.

Les verres et les tasses doivent être placés face vers le bas pour un meilleur lavage et essorage.

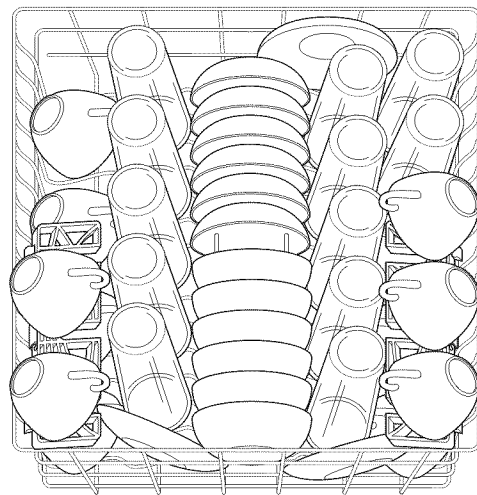
Il peut y avoir de la casse si des articles fragiles se touchent pendant le fonctionnement du lave-vaisselle.

Les couteaux et ustensiles à long manche peuvent être placés dans le panier supérieur.

Assurez-vous que rien ne passe à travers le fond du panier. Cela bloquerait la rotation du bras de lavage central.



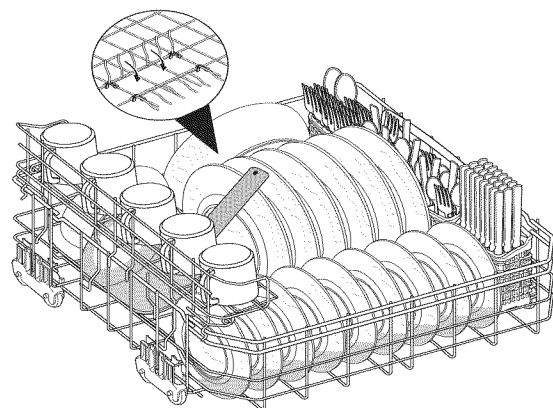
Chargement standard pour 10 couverts



Chargement standard pour 12 couverts

Rabattle Tines

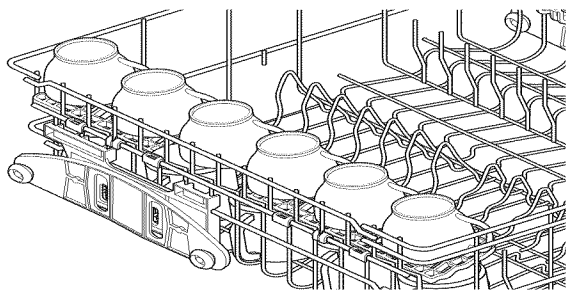
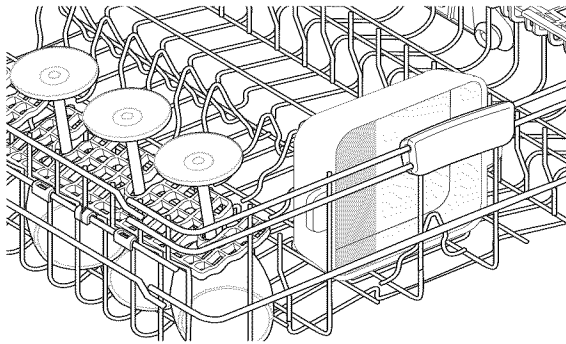
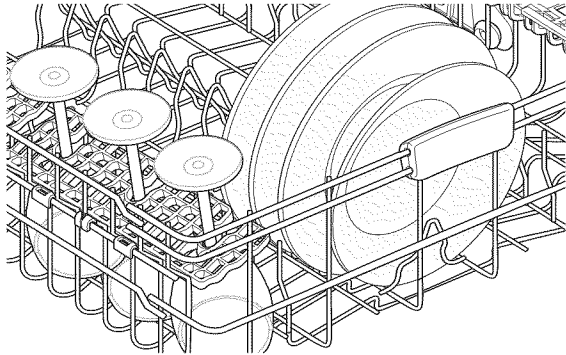
Les rabattables dans le panier inférieur faire un chargement facile pour ceux extra larges et difficiles d'articles en forme. Les dents mai être laissé pour un usage normal ou abaissée pour le chargement plus souple. Pliez le bas pour plus d'espace pour charger de grands pots ou des casseroles.



Préparation et chargement de la vaisselle

Tiges à bols

Le Capteur offre une souplesse ultime. Une fois fermé, charger les soucoupes ou la petite vaisselle. Ouvrez-le à moitié et c'est parfait pour charger les petites casseroles. Ouvrez-le complètement pour mettre les ustensiles qui sont difficiles à charger comme les cafetières ou les robots ménagers, etc. Au fur et à mesure des utilisations, vous trouverez de nombreuses autres façons d'utiliser cette caractéristique unique.

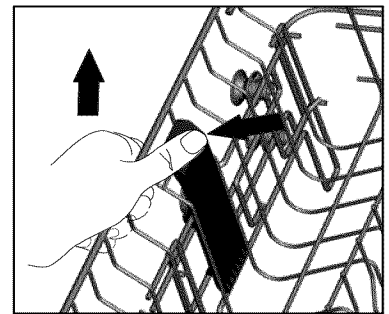
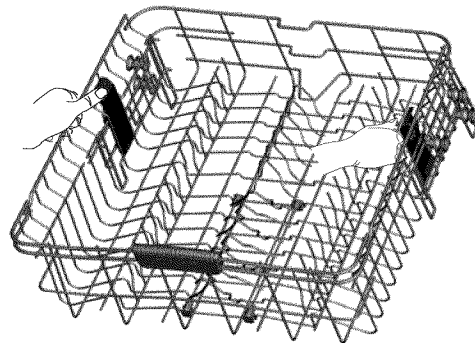


Panier supérieur réglable (certains modèles)

La hauteur du panier supérieur peut facilement être réglée. Vous pourrez ainsi placer de la vaisselle plus volumineuse dans l'un ou l'autre des paniers. Il est conseillé de régler la hauteur lorsque les paniers ne contiennent pas de vaisselle.

Pour placer de la vaisselle plus volumineuse dans le panier inférieur, il est possible d'utiliser 2 réglages différents:

Pour élever le panier à la position du milieu ou à la position la plus haute, soulevez-le simplement jusqu'au niveau désiré. La manette est reliée à un système de ressort qui placera automatiquement le panier à la position du haut. Pour abaisser le panier à la position du bas, appuyez sur la manette avec les pouces en poussant simultanément vers le bas. Pour faciliter le réglage du panier, assurez-vous que ce dernier est de niveau de l'avant vers l'arrière et que ses côtés sont à la même hauteur.



Chargement du panier inférieur

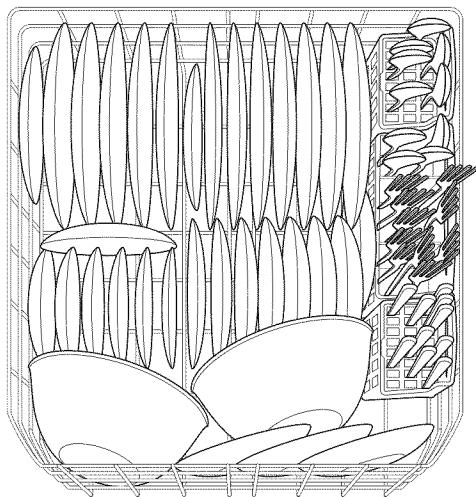
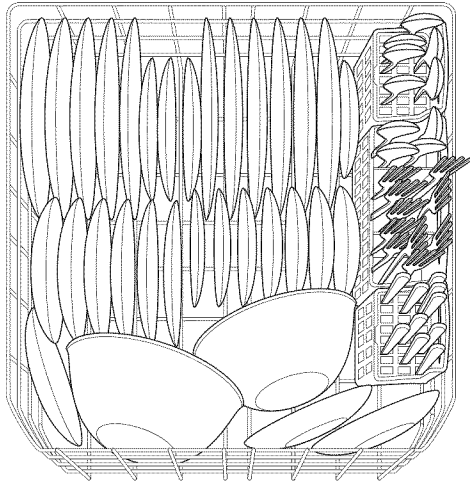
Les fonctions et l'apparence des paniers, y compris de celui des couverts, peuvent être différents de celles de votre modèle.

Le panier inférieur convient mieux aux assiettes, sauciers, bols et ustensiles de cuisson. Les gros ustensiles doivent être placés dans les coins pour qu'ils ne bloquent pas la rotation du bras de lavage. Pour de meilleurs résultats, mettre les bols, les casseroles et les poêles face sale vers le bas ou vers le centre. Incliner légèrement pour que la vidange se fasse mieux.

Vous assurer qu'aucun grand article ne bloque la rotation du bras gicleur.

Vous assurer que les manches ne dépassent pas le fond du panier pour éviter de bloquer la rotation du bras gicleur.

Préparation et chargement de la vaisselle



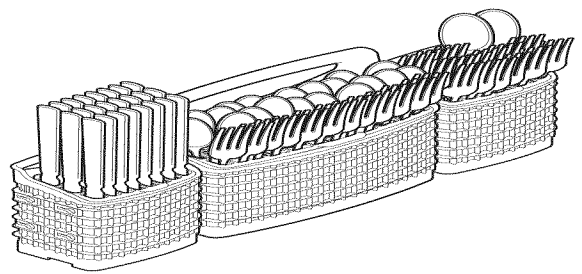
Chargement standard pour 12 couverts.

Chargement du panier à ustensiles

Les fonctions et l'apparence des paniers, y compris celles des couverts, peuvent être différentes de celles de votre modèle.

Mettre les ustensiles dans le panier à ustensiles quand celui-ci se trouve dans le panier inférieur ou poser le panier à ustensiles sur une table ou un plan de travail pour le remplir.

Mettre les petits articles comme bouchons de biberon, couvercles de pot, mini-fourchettes à maïs, etc. dans la section avec couvercle. Fermer le couvercle pour retenir les petits articles.



Suivre la disposition suggérée pour les articles, celle qui est illustrée, pour un meilleur lavage des couverts.

S'assurer que rien ne dépasse du dessous du panier qui pourrait bloquer le bras gicleur.

Ne pas mélanger l'argenterie avec les couverts en acier inoxydable pour éviter d'endommager l'argenterie.

Le panier à ustensiles peut être séparé en plusieurs sections qui peuvent être placées à divers endroits dans le panier inférieur. Remplir de couverts toutes les sections ou bien une seule selon le besoin.

Quand les couvercles sont relevés, mélanger les articles dans chaque section du panier, certains se dirigeant vers le haut d'autres vers le bas, pour éviter de les emboîter. Les jets d'eau ne peuvent pas atteindre certains articles emboîtés.

Ajout d'un article

Pour ajouter ou retirer les articles après avoir démarré le cycle de lavage:

- Déverrouiller la porte et attendre quelques secondes que le lavage s'arrête avant d'ouvrir.
- Ajouter l'article et attendre quelques secondes pour permettre à l'air froid de se propager lentement dans le lave-vaisselle.
- Fermer la porte à fond pour poursuivre le cycle.



ATTENTION

Placer les articles (couteaux, brochettes, etc), leur pointe vers le bas.

Sinon des blessures graves peuvent s'ensuivre.

Distributeurs et détergents

Remplissage du distributeur de détersif

Le distributeur de détersif est muni d'un godet fermable et d'un autre découvert. Le détersif dans le godet découvert tombe dans le lave-vaisselle dès que la porte se ferme. Le godet fermable s'ouvre automatiquement durant le lavage principal.

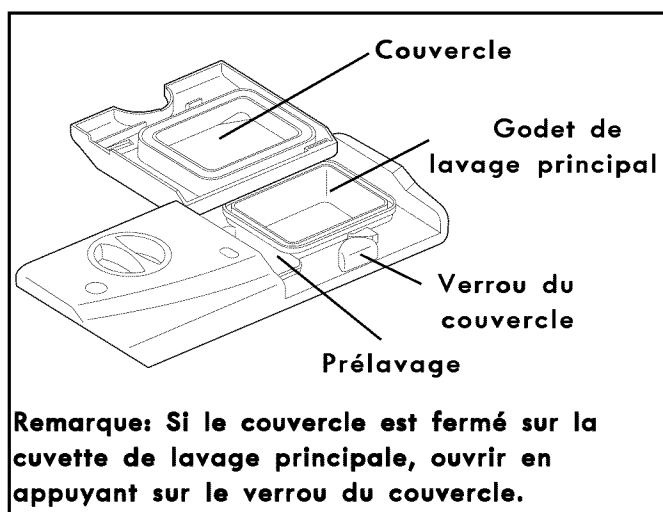
- Utiliser uniquement un détergent neuf pour lave-vaisselle automatique. D'autres types de détergent peuvent provoquer une formation de mousse excessive.
- Si l'on utilise les tablettes de détergent pour lave-vaisselle, il suffit de placer une tablette dans le godet principal de détergent et de fermer ce godet.
- Ajouter du détergent avant de commencer le cycle.
- Ranger le détergent dans un endroit frais et sec. Un détergent qui a pris l'humidité et qui s'est solidifié ne se dissout pas complètement.

⚠ ATTENTION

L'utilisation d'un détergent industriel peut endommager le serpentin et d'autres pièces du lave-vaisselle, entraînant ainsi des dommages à l'appareil et aux biens qui l'entourent. Utilisez uniquement des détergents à lave-vaisselle ménagers.

Quelle quantité de détergent utiliser

La quantité de détergent à utiliser dépend de la dureté de l'eau. La dureté de l'eau est mesurée en grains par gallon. Lorsque la quantité de détergent est insuffisante, les résultats de lavage peuvent être insatisfaisants, et l'eau dure peut laisser un film ou des taches sur la vaisselle. L'utilisation d'une trop grande quantité de détergent dans l'eau douce peut entraîner la formation d'un film permanent par suite d'attaque par le détergent. La compagnie des eaux, la compagnie d'adoucisseurs de votre région ou les services publics de la municipalité peuvent vous fournir la dureté de l'eau de votre secteur.



Guide d'utilisation de détergent

Cycle	Eau douce (0-3 grains)	Eau moyennement dure (4-8 grains)	Eau dure (9-12 grains)	Eau très dure* (plus de 12 grains)
Lavage Heavy (Heavy Wash) Lavage normal (Normal Wash)	2 cuillerées à thé (chaque godet – rempli au 1/4)	5 cuillerées à thé (chaque godet – rempli jusqu'au repère au-dessus de «Regular»)	8 cuillerées à thé (chaque godet – entièrement rempli)	Chaque godet – entièrement rempli (adoucisseur d'eau recommandé)
Porcelaine Gentle (China Gentle)	2 cuillerées à thé (godet de lavage principal – rempli au 1/4)	5 cuillerées à thé (godet de lavage principal – rempli jusqu'au repère au-dessus de «Regular»)	8 cuillerées à thé (godet de lavage principal – entièrement rempli)	Godet de lavage principal entièrement rempli (adoucisseur d'eau recommandé)
Rinçage rapide (Quick Rinse)	Pas de détergent	Pas de détergent	Pas de détergent	Pas de détergent (adoucisseur d'eau recommandé)

*Remarque: Dans le cas d'eau très dure, le détergent seul peut ne pas être suffisant. Il est recommandé d'ajouter un adoucisseur d'eau pour améliorer la qualité de l'eau et les performances de lavage. Essayer d'ajouter du détergent au commencement de la portion lavage principal du cycle. En règle générale, utiliser une cuillère à thé pour chaque grain au-dessus de 12. Déverrouiller la porte, ouvrir lentement et ajouter du détergent au fond de la cuve. Fermer la porte pour la verrouiller et le lave-vaisselle continuera le cycle.

Distributeurs et détergents (suite)

Produit de rinçage

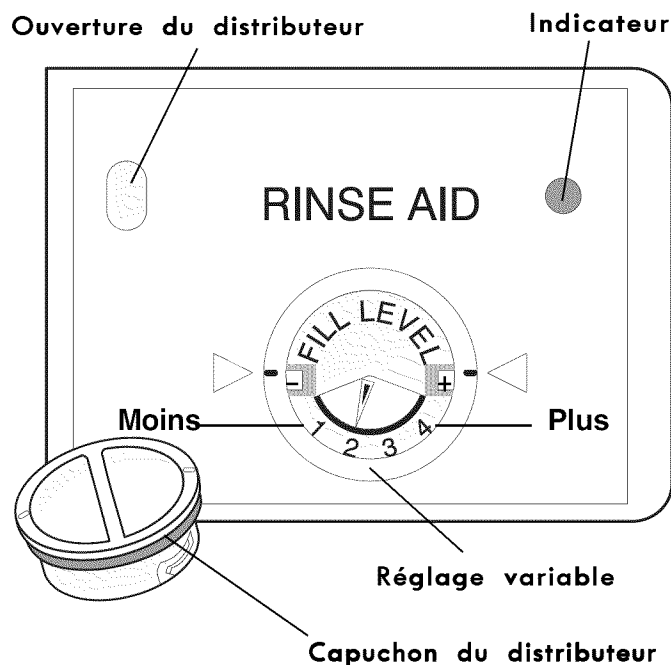
Les produits de rinçage améliorent le séchage et réduisent les taches et les films d'eau. L'eau glisse sur la vaisselle et ne forme pas de gouttelettes qui s'accrochent en laissant des taches sur les ustensiles.

Le distributeur est situé près du godet à détergent et libère automatiquement une quantité précise de produit lors du rinçage final. En cas de marques et de mauvais séchage, augmenter la quantité de produit de rinçage en tournant le bouton sur un chiffre plus élevé. Le bouton est situé sous le capuchon du distributeur. L'indicateur est foncé lorsque le distributeur est plein et clair lorsqu'il est temps de le remplir.

Pour ajouter le produit de rinçage liquide, tourner le capuchon du distributeur d'1/4 de tour à gauche et le sortir. Verser le produit de rinçage jusqu'à ce que le liquide arrive au niveau de remplissage indiqué. Remettre le capuchon.

Ne pas trop remplir, ceci risquerait d'entraîner un excès de mousse. Essuyer tout produit renversé avec un linge humide.

Le distributeur contient du liquide pour environ 35 à 140 lavages selon le réglage choisi.



Facteurs affectant le rendement

Pression d'eau

La canalisation d'alimentation d'eau chaude au lave-vaisselle doit fournir une pression d'eau entre 20 et 120 psi.

La pression d'eau peut être basse lorsqu'une machine à laver ou les douches fonctionnent. Attendez une réduction de l'utilisation d'eau avant de démarrer le lave-vaisselle.

Température de l'eau

L'eau chaude est nécessaire pour de meilleurs résultats de lavage et de séchage. Pour donner des résultats satisfaisants, l'eau arrivant dans le lave-vaisselle doit avoir une température d'au moins 120°F (49°C).

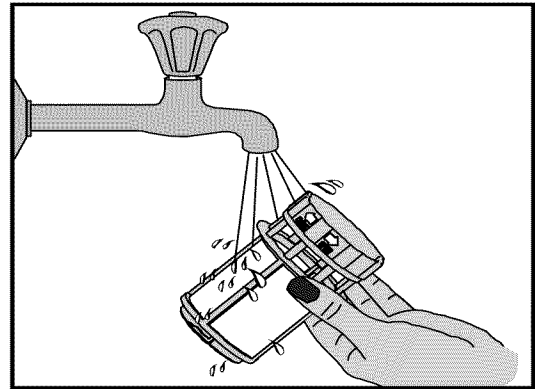
Pour vérifier la température de l'eau arrivant dans le lave-vaisselle:

- Tournez le robinet d'eau chaude le plus proche du lave-vaisselle pendant quelques minutes pour dégager l'eau fraîche des tuyaux.
- Tenez un thermomètre de bonbons ou à viande sous l'eau pour vérifier la température.
- Si la température est au-dessous de 120°F (49°C), demandez à une personne qualifiée d'augmenter le réglage du thermostat.

Important: Avant de démarrer un cycle de lavage, faites couler l'eau chaude pour dégager l'eau fraîche du tuyau d'arrivée d'eau.

Entretien et nettoyage

⚠ AVERTISSEMENT	
	Risques de brûlure Laissez refroidir l'élément chauffant avant de nettoyer l'intérieur. Dans le cas contraire il pourrait en résulter des brûlures.



Extérieur—Lave de temps en temps à l'aide d'un détergent doux et de l'eau. Rincer et sécher.

Modèles à porte en acier inoxydable—La cuve est faite d'acier inoxydable, il ne sera pas la rouille ou la corrosion si le lave-vaisselle devrait être rayée ou cabossée.

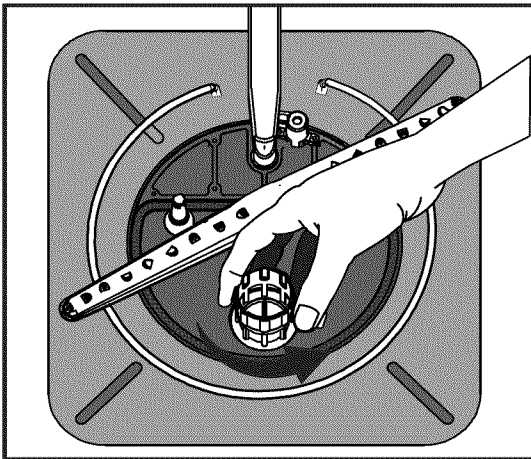
Entretien du tuyau de ventilation de vidange

Si un tuyau de ventilation de vidange est installé pour votre lave-vaisselle encastré, assurez-vous qu'il est propre de manière à ce que le lave-vaisselle puisse vidanger correctement. Un tuyau de ventilation de vidange est monté habituellement sur le dessus de comptoir et peut être inspecté en enlevant le bouchon. Ceci ne fait pas partie de votre lave-vaisselle et n'est pas couvert par la garantie.

Nettoyage du filtre cylindrique

Le filtre cylindrique est conçu pour recueillir de gros débris comme du verre cassé, des os et des noyaux. Ce filtre doit être nettoyé pour maximiser les performances de lavage.

Enlevez le panier inférieur, tournez le filtre cylindrique comme indiqué sur l'illustration, puis retirez le filtre. Ensuite, videz et nettoyez ce dernier en le rinçant à l'eau courante, puis remettez-le en place.



⚠ ATTENTION	
Risques de dommage matériel Des températures de gel peuvent provoquer des fuites de conduites d'eau. Assurez-vous que toutes les conduites d'eau au lave-vaisselle et ses canalisations intérieures sont protégées. Dans le cas contraire, il pourrait résulter des dommages matériels.	

Protection hivernale

Un lave-vaisselle laissé à un endroit non chauffé doit être protégé du gel. Demandez à une personne qualifiée de faire ce qui suit:

De débrancher les services d'alimentation:

1. Fermez le courant électrique au lave-vaisselle à la source d'alimentation en retirant les fusibles ou fermant le disjoncteur de circuit.
2. Fermez l'alimentation d'eau.
3. Placez un récipient sous le robinet d'arrivée d'eau. Débranchez la canalisation d'eau du robinet d'arrivée d'eau et vidangez dans le récipient.
4. Déconnectez le tuyau de vidange de la pompe et vidangez l'eau dans le récipient.

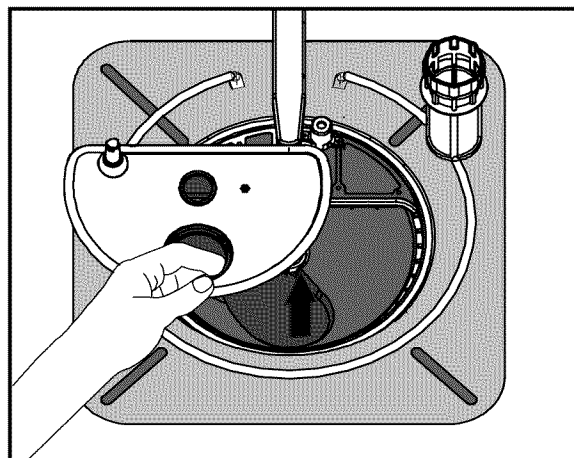
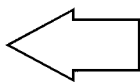
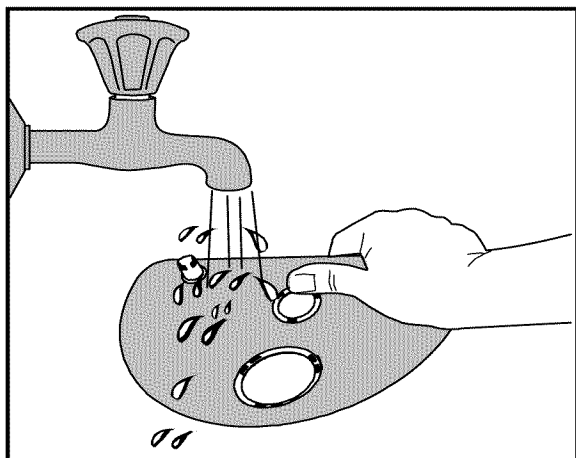
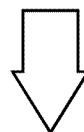
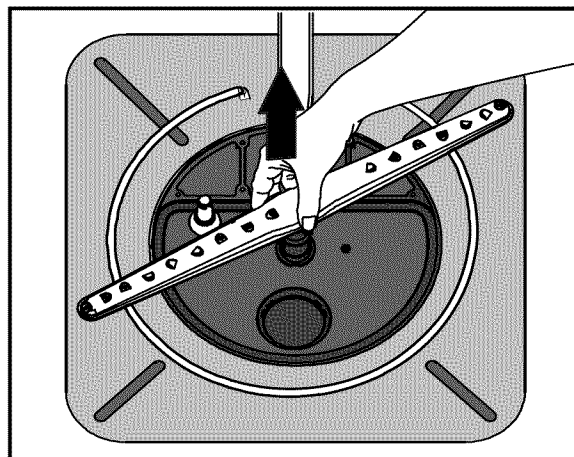
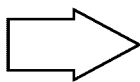
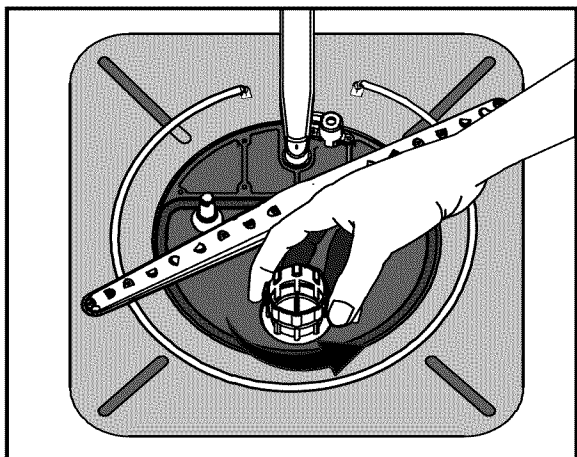
Pour rétablir le service:

1. Rebranchez l'eau, le tuyau de vidange et le courant électrique.
2. Ouvrez l'eau et le courant électrique.
3. Remplir les deux distributeurs de détergent et faire fonctionner le lave-vaisselle en cycle HEAVY WASH.
4. Vérifiez les connexions pour assurer qu'elles sont dénuées de fuite.

Entretien Et Nettoyage

Nettoyage du filtre fin

Enlevez le filtre cylindrique, puis retirez le filtre fin qui se trouve au fond de la cuve du lave-vaisselle. Pour ôter le filtre fin, vous devez d'abord enlever le bras de lavage inférieur, comme indiqué ci-dessous. Nettoyez le filtre fin à grande eau en le tenant sous de l'eau courante, puis remettez-le en place.



Solutions aux problèmes d'utilisation courante

Avant de faire appel à un technicien, consulter la liste qui suit. Cela peut épargner temps et argent. Cette liste porte sur des troubles communs qui ne sont pas causés par un défaut de fabrication ni par un matériau défectueux.

Taches résiduelles d'aliments sur la vaisselle

- Sélectionnez un autre cycle pour un lavage plus long.
- Vérifiez la section chargement des paniers pour un chargement approprié—Évitez d'emboîter les articles.
- Il est possible que la pression d'eau de la résidence soit trop basse, elle doit être de 20 à 120 livres par pouce carré (psi).
- Vérifiez la température de l'eau. Elle doit être d'un minimum de 120°F (49°C). (Voir Facteurs affectant la performance.)
- Sélectionner l'option HI-TEMP WASH.
- Vérifiez la dureté de l'eau. Pour l'eau très dure, il peut s'avérer nécessaire d'installer un adoucisseur d'eau. (Voir Tableau de détersifs.)
- Utilisez du détersif frais, en bon état.
- Assurez-vous que l'entonnoir du panier supérieur n'est pas obstrué.
- Assurez-vous qu'aucun article ne bloque les bras gicleurs, les empêchant de tourner.

Vaisselle mal séchée

- Sélectionnez l'option séchage à chaud.
- Assurez-vous que le distributeur d'agent de rinçage est rempli.
- Augmentez la quantité d'agent de rinçage. (Voir Agent de rinçage.)
- Vérifiez la température de l'eau. Assurez-vous qu'elle est à un minimum de 120°F (49°C).
- Vérifiez si le chargement est approprié et évitez d'emboîter les articles.
- Il peut s'avérer nécessaire de sécher les articles en plastique à la main.
- Les tasses munies d'un fond concave retiennent l'eau.

Rainures

- L'utilisation de trop de détersif dans l'eau douce ou adoucie forme une pellicule impossible à enlever.
- Ajustez la quantité de détersif en fonction de la dureté de l'eau. (Consultez le tableau des détersifs.)
- Abaissez la température de l'eau.
- Sélectionnez l'option séchage à froid.

Détersif demeuré dans les godets

- Il est possible que le détersif soit vieux. Jetez-le et utilisez du détersif frais, en bon état.
- Assurez-vous que le giclement de l'eau peut atteindre le distributeur.

- Assurez-vous que le cycle est bien complété.
- Assurez-vous qu'aucun article n'entrave l'ouverture du distributeur de détersif.

Verrerie/coutellerie tachée ou revêtue de pellicule

- Vérifiez la dureté de l'eau. Pour l'eau très dure, il peut s'avérer nécessaire d'installer un adoucisseur d'eau. (Voir Tableau de détersifs.)
- Il est possible que la température de l'eau soit basse. Évitez les températures trop basses ou trop élevées. (Voir Facteurs affectant la performance.)
- Évitez de surcharger et de charger d'une manière inappropriée. (Voir préparation et chargement de vaisselle.)
- Utilisez du détersif frais, en bon état. Le vieux détersif est inefficace.
- Assurez-vous que le distributeur d'agent de rinçage est rempli.
- Assurez-vous que la quantité de détersif adéquate au cycle sélectionné est utilisée. Vérifiez également le niveau de phosphate. (Voir Distributeur de détersif.)
- Il est possible que la pression d'eau de la résidence soit trop basse, elle doit être de 20 à 120 livres par pouce carré (psi).

Vaisselle ébréchée

- Chargez avec précaution et ne surchargez pas. (Voir préparation et chargement de vaisselle.)
- Placez les articles délicats dans le panier supérieur.
- Placez les verres sécuritairement contre les tiges et non par-dessus.
- Chargez les articles de manière à ce qu'ils soient solidement fixés et ne se déplacent pas au moment de pousser et de tirer les paniers. Poussez et tirez lentement les paniers.
- Veillez à ce que les grands verres et verres à pied ne touchent pas le haut de la cuve lorsque le panier est poussé à l'intérieur.
- La fine porcelaine et le cristal doivent être lavés à la main.

Vapeur aux orifices de ventilation

- De la vapeur d'eau s'échappe par les orifices de ventilation pendant les étapes de lavage et/ou de séchage du cycle. Ceci est normal.

Solutions aux problèmes d'utilisation courante (suite)

Vaisselle tachée ou décolorée

- Le thé et le café peuvent tacher les tasses. Enlevez les taches à la main avec une solution d'une 1/2 tasse de javelisant (120 ml) et d'une pinte d'eau tiède. Rincez à fond.
- Les dépôts de fer dans l'eau peuvent former une pellicule jaune ou brune. Un filtre spécial installé dans la conduite d'alimentation d'eau corrigera la situation. (Voir Enlever les taches et pellicule.)
- Les ustensiles en aluminium peuvent laisser des traces grises/noires lorsqu'ils se frottent contre les autres articles. Chargez correctement.
- Les aliments à haute teneur en acide peuvent décolorer l'acier inoxydable et les plastiques s'ils ne sont pas nettoyés pour une longue période de temps. Utilisez le cycle rinçage/mise en attente ou rincez à la main si vous ne démarrez pas immédiatement le lave-vaisselle.
- Le mélange d'ustensiles en acier inoxydable et en argent dans le panier à coutellerie peut occasionner des piqûres sur les lames en acier inoxydable. Évitez d'entremêler l'argent et l'acier inoxydable.

Le lave-vaisselle fuit

- Utilisez seulement du détergent frais, en bon état conçu pour lave-vaisselle automatique. Mesurez le détergent attentivement. Essayez une marque différente.
- Tout agent de rinçage renversé peut causer de la mousse et entraîner un débordement. Essuyez tout renversement avec un chiffon humide.
- Vérifiez que le lave-vaisselle est à niveau. (Voir Instructions d'installation.)

Bruits normaux que vous entendrez

- Les bruits normaux comprennent le remplissage d'eau, la circulation de l'eau et les bruits du moteur.
- Il y a un changement de son caractéristique lorsque l'action de lavage passe du bras gicleur inférieur au bras gicleur intermédiaire. Ceci est normal puisque chaque bras gicleur a son propre son.
- Il est normal que le lave-vaisselle fasse une pause (aucun son) lorsque l'action de lavage passe du bras gicleur inférieur au bras intermédiaire.

Le cycle dure trop longtemps

- Est-ce que le cycle est en chauffage d'eau différé?
- Est-ce que l'option démarrage différé a été sélectionnée?
- L'option de désinfection a-t-elle été sélectionnée ?

Le lave-vaisselle ne fonctionne pas

- Vérifiez si le disjoncteur s'est déclenché ou si le fusible a sauté.

- Assurez-vous que l'alimentation en eau est ouverte.
- Vérifiez si le cycle est réglé correctement. (Voir Instructions de fonctionnement.)
- Est-ce que le lave-vaisselle est réglé à l'option mise en marche différée?
- Assurez-vous que la porte est bien fermée et verrouillée.

Le lave-vaisselle ne vidange pas correctement

- Si l'appareil est branché à un broyeur à déchets, assurez-vous qu'il est vide.
- Vérifiez si le raccord amovible a été enlevé à l'intérieur du tuyau d'arrivée du broyeur de déchets.
- Vérifiez si le tuyau de vidange est plié.
- Assurez-vous que le cycle est terminé, et non pas en période de pause.

Le lave-vaisselle ne se remplit pas d'eau

- Est-ce que l'alimentation en eau est ouverte?
- Vérifier le disjoncteur résidentiel ou la boîte à fusibles.
- S'assurer que le tuyau d'admission n'est pas plié.
- Est-ce que le trop-plein se déplace librement de haut en bas? (Voir section trop-plein.)
- Le niveau d'eau normal de remplissage du lave-vaisselle ne dépasse pas le bas des attaches de l'élément chauffant.

Le lave-vaisselle dégage une odeur

- La vaisselle sale laissée trop longtemps dans le lave-vaisselle peut générer une odeur. Utilisez le cycle Rinçage/Mise en attente.
- Une odeur de "neuf" se dégagera une fois le lave-vaisselle installé. Ceci est normal.
- Vérifiez si l'unité vidange correctement. (Voir le lave-vaisselle ne vidange pas correctement.)

Taches à l'intérieur de la cuve

- Le lavage d'une grande quantité de vaisselle comprenant des résidus de sauce tomate peut donner une apparence rose/orange. Ceci n'affectera pas la performance et s'estompera graduellement avec le temps. L'utilisation de l'option HEAT DRY OFF diminuera la formation de taches.

Enlever les taches et pellicule

L'eau dure peut causer un dépôt de calcaire à l'intérieur du lave-vaisselle. La vaisselle et les verres peuvent également avoir des taches et pellicule pour plusieurs raisons. (Voir la section Verrerie/coutellerie tachée ou revêtue de pellicule.) Pour enlever le dépôt de calcaire, les taches et la pellicule, nettoyez en suivant les étapes ci-dessous:

Solutions aux problèmes d'utilisation courante (suite)

1. Chargez la vaisselle et les verres propres comme d'habitude. Ne mettez aucun ustensile de métal ou d'argenterie.
2. N'ajoutez pas de détergent.
3. Sélectionnez l'option HEAVY WASH. Fermez et verrouillez la porte.
4. Laissez le lave-vaisselle fonctionner pendant 25 minutes pour arriver au cycle de lavage principal.
5. Déverrouillez la porte, ouvrez-la et versez 2 tasses de vinaigre blanc au fond du lave-vaisselle.
6. Fermez la porte et laissez le cycle se terminer.

Remarque: Si ces conditions ne s'améliorent pas, il faut considérer un adoucisseur d'eau résidentiel.

Contrats de protection principaux

Félicitations! Vous avez fait un bon achat. Votre nouvel appareil Kenmore® est conçu et fabriqué dans le but de vous offrir plusieurs années d'utilisation sans tracas. Cependant, comme tout appareil, il peut nécessiter un entretien préventif ou des réparations occasionnelles. C'est pourquoi un contrat de protection principal peut vous permettre d'épargner de l'argent et vous éviter des problèmes.

Le contrat de protection principal contribue également à prolonger la durée de vie de votre nouvel appareil. Voici ce que couvre le contrat* :

- ☑ **Les pièces et la main-d'oeuvre requises pour le fonctionnement adéquat de l'appareil dans des conditions d'utilisation normales**, pas seulement pour les défauts. Notre couverture vous offre beaucoup plus que la simple garantie du produit. Aucune franchise, aucune exclusion de défaillance fonctionnelle, une véritable protection.
- ☑ **Un service professionnel offert** par une équipe de plus de 10 000 techniciens de service Sears autorisés, ce qui signifie que votre appareil sera confié à une personne de confiance.
- ☑ **Des appels de service** illimités et un service à la grandeur du pays, à tout moment, aussi souvent que vous le désirez.
- ☑ **La garantie « anti-citron »**, vous assurant le remplacement de l'appareil couvert si quatre défaillances ou plus surviennent à l'intérieur de douze mois.
- ☑ **Le remplacement** de l'appareil couvert s'il ne peut être réparé.
- ☑ **Une vérification** d'entretien préventive annuelle sur demande et sans frais.

- ☑ **Un service d'aide téléphonique rapide, appelé « Résolution rapide »**, qui vous permet de bénéficier du soutien téléphonique d'un représentant
- ☑ **Sears pour tous les produits.** Nous sommes votre « guide d'utilisation parlant ». Une protection contre les surtensions pour les dommages électriques causés par des fluctuations électriques.
- ☑ **Une couverture annuelle de 250 \$** pour la perte d'aliments à la suite de toute détérioration d'aliments résultant d'une défaillance mécanique d'un réfrigérateur ou d'un congélateur couvert.
- ☑ **Le remboursement de la location**, si la réparation de l'appareil couvert prend plus de temps que prévu.
- ☑ **Un rabais de 10 %** sur le prix régulier de tout service de réparation non couvert et les pièces installées qui en découlent.

Une fois le contrat acheté, un simple appel téléphonique suffit pour obtenir un service de réparation. Vous pouvez téléphoner à toute heure du jour ou de la nuit, ou prendre rendez-vous en ligne pour une réparation.

Le contrat de protection principal est un achat sans risque. Si, pour quelque raison que ce soit, vous annulez le contrat durant la période de garantie du produit, vous serez remboursé en totalité. En cas d'annulation après la période de garantie du produit, vous recevrez un remboursement calculé au prorata. Procurez-vous votre contrat de protection principal dès aujourd'hui!

Certaines restrictions et exclusions s'appliquent. Si vous êtes aux États-Unis et que vous désirez connaître les prix et obtenir de plus amples renseignements, téléphonez au 1 800 827-6655.

* Au Canada, la couverture de certains articles peut varier. Pour connaître tous les détails, communiquez avec Sears Canada au 1 800 361-6665.

Service d'installation Sears

Pour bénéficier du service d'installation professionnel de Sears pour électroménagers, ouvre-portes de garage, chauffe-eau et autres appareils domestiques importants, aux États-Unis et au Canada, téléphonez au 1 800 4-MY-HOME.

Get it fixed, at your home or ours!

Your Home

For troubleshooting, product manuals and expert advice:



www.managemylife.com

For repair – **in your home** – of **all** major brand appliances, lawn and garden equipment, or heating and cooling systems, **no matter who made it, no matter who sold it!**

For the replacement parts, accessories and owner's manuals that you need to do-it-yourself.

For Sears professional installation of home appliances and items like garage door openers and water heaters.

1-800-4-MY-HOME[®] (1-800-469-4663)

Call anytime, day or night (U.S.A. and Canada)

www.sears.com www.sears.ca

Our Home

For repair of carry-in items like vacuums, lawn equipment, and electronics, call anytime for the location of your nearest

Sears Parts & Repair Service Center

1-800-488-1222 (U.S.A.)

www.sears.com

1-800-469-4663 (Canada)

www.sears.ca

To purchase a protection agreement on a product serviced by Sears:

1-800-827-6655 (U.S.A.)

1-800-361-6665 (Canada)

Para pedir servicio de reparación a domicilio, y para ordenar piezas:

1-888-SU-HOGAR[®]

(1-888-784-6427)

www.sears.com

Au Canada pour service en français:

1-800-LE-FOYER^{MC}

(1-800-533-6937)

www.sears.ca

The Sears logo, featuring the word "Sears" in a large, stylized, serif font with a shadow effect.

® Registered Trademark / TM Trademark of KCD IP, LLC in the United States, or Sears Brands, LLC in other countries

© Marca Registrada / TM Marca de Fábrica de KCD IP, LLC en Estados Unidos, o Sears Brands, LLC in otros países

^{MC} Marque de commerce / ^{MD} Marque déposée de Sears Brands, LLC