

# KitchenAid® Built-in Refrigerators, Side by Side and Bottom Mount

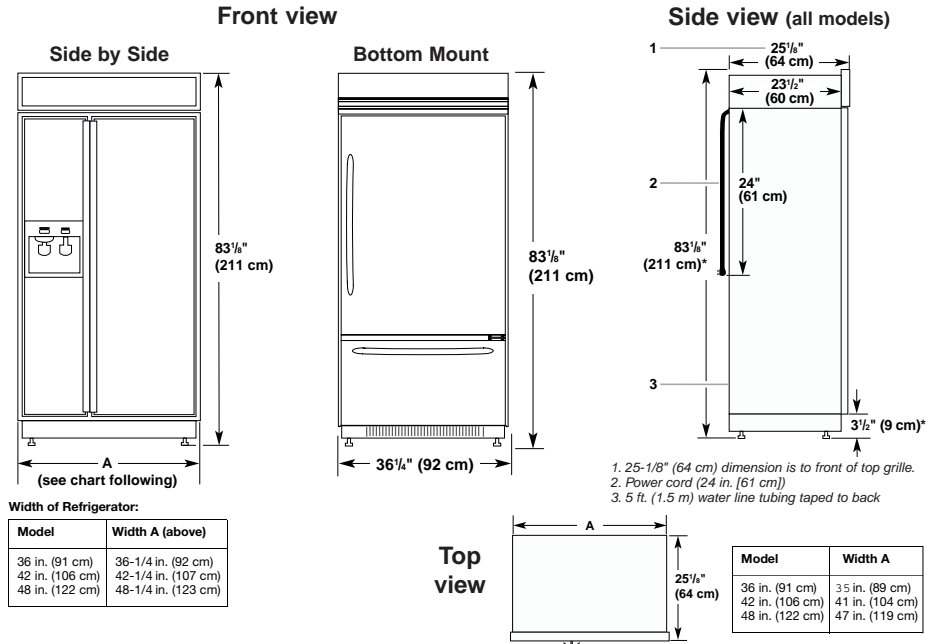
## PRODUCT MODEL NUMBERS

KSSS42QK	KSSP42QK	KBRC36FK
KBLC36FKS	KSSP36QK	KBRP36FK
KSSS48FK	KSSC48QK	KBRS36FK
KSSS42FK	KBLS36FK	KSSC36FK
KSSS36QK	KSSS48QK	KSSC42FK
KSSS36FK	KSSC48FK	KSSC42QK
KSSP48QK	KBLP36FK	

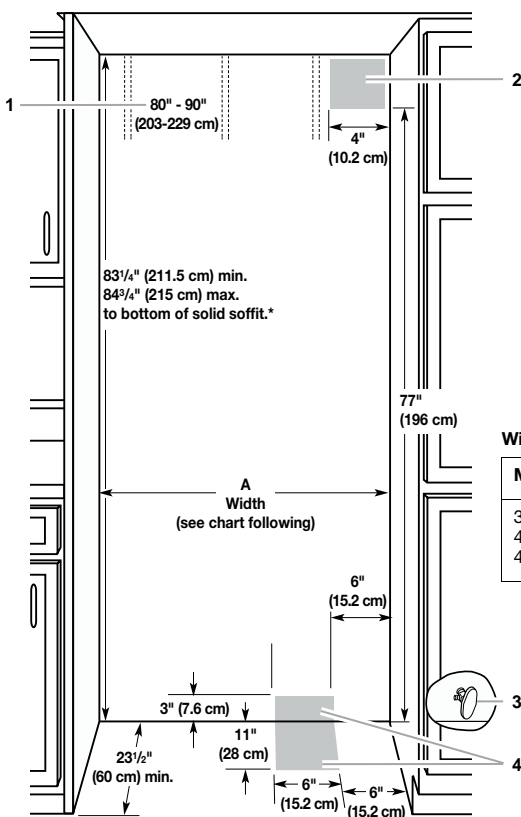
**Electrical:** A 115-volt, 60-Hz, AC-only, 15- or 20-ampere, fused, electrical supply is required. A time-delay fuse or circuit breaker is recommended. It is recommended that a separate circuit serving only this appliance be provided.

**Water Supply:** Use only 1/4" copper tubing for water line. Water line to refrigerator must provide 15-100 psi water pressure.

## OVERALL DIMENSIONS

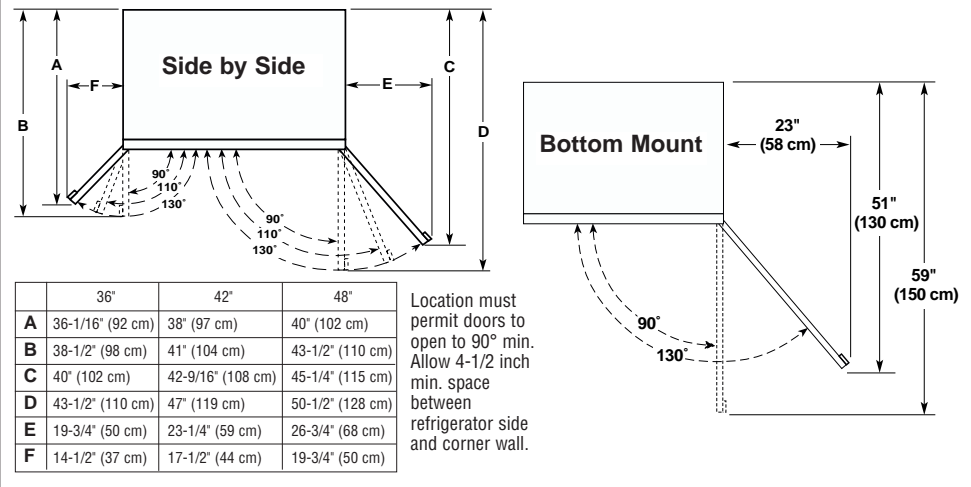


## CABINET OPENING DIMENSIONS



1. Stud location
2. Grounded electrical outlet location
3. Recommended water shutoff valve location
4. Plumbing hole and water line location (wall or floor)

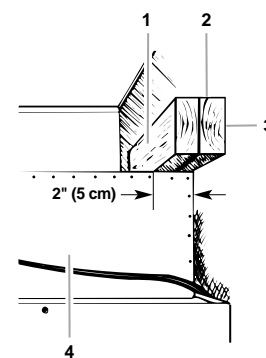
## DOOR SWING DIMENSIONS



## Width of Opening:

Model	Width A (above)
36 in. (91.4 cm)	35-1/2 in. (90.2 cm)
42 in. (106.7 cm)	41-1/2 in. (105.4 cm)
48 in. (121.9 cm)	47-1/2 in. (120.7 cm)

## ANTI-TIP REQUIREMENTS



The solid soffit must be within 1 in. (2.5 cm) maximum above the refrigerator. If the solid soffit is higher than 1 in. (2.5 cm) or one is not available, prevent the refrigerator from tipping during use as shown.

Locate the board(s) so the bottom surface of the board(s) are 84 in. (213 cm) from the floor.

Securely attach one or two 2 in. x 4 in. x 32 in. (5 cm x 10 cm x 81 cm) wood boards to wall studs behind refrigerator. Use 6 - #8 x 3 in. (7.6 mm) (or longer) wood screws. The wood screws must be screwed into the studs at least 1-1/2 in. (3.8 cm). The board(s) must overlap the compressor cover.