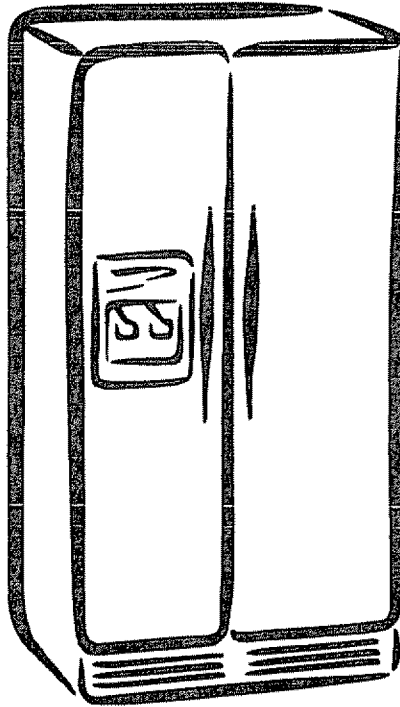


Owners Guide



Side by Side
Ice and Water

Refrigerator



CAUTION:

Before using this refrigerator, read this manual and follow all its Safety Rules and Operating Instructions.

- Safety
- Installation
- Operation
- Maintenance
- Troubleshooting
- Español
- Français

Sears, Roebuck and Co., Hoffman Estates, IL 60179

Visit our Sears website: www.sears.com

Printed in the USA

ENGLISH

ESPAÑOL

FRANÇAIS

TABLE OF CONTENTS

Record Serial/Model Numbers 2
 Safety 2-3
 Warranty 3
 Canada - Limited Warranty 4
 First Steps 5
 Energy Saving Tips 6
 Setting the Controls 6
 Fresh Food Storage 7
 Automatic Ice and Water Dispenser 8-10
 Touch Pad 8
 Ice and Water Filter 10
 Care and Cleaning 11-12
 Removing the Handles and Doors 12-13
 Avoid Service Checklist 14-17
 Normal Operating Sounds 18
 Sears Service 19
 Sears Canada Customers 19
 Notes 20

SERIAL / MODEL NUMBERS

READ AND SAVE THESE INSTRUCTIONS

This Owner's Guide provides specific operating instructions for your model. Use your refrigerator only as instructed in this guide. These instructions are not meant to cover every possible condition and situation that may occur. Common sense and caution must be practiced when installing, operating, and maintaining any appliance.

Record Your Model and Serial Numbers

Record the model and serial numbers in the space provided below. The serial plate is located on the ceiling of the refrigerator compartment.

Model Number: 253. _____
 or 970. _____
Serial Number: _____
Purchase Date: _____

IMPORTANT SAFETY INSTRUCTIONS

READ ALL INSTRUCTIONS BEFORE USING THIS REFRIGERATOR.

⚠ WARNING FOR YOUR SAFETY

Do not store or use gasoline, or other flammable vapors and liquids in the vicinity of this or any other appliance. Read product labels for flammability and other warnings.

⚠ WARNING CHILD SAFETY

- Destroy carton, plastic bags, and any exterior wrapping material immediately after refrigerator is unpacked. Children should never use these items to play. Cartons covered with rugs, bedspreads, plastic sheets or stretch wrap may become airtight chambers, and can quickly cause suffocation.
- Remove all staples from the carton. Staples can cause severe cuts, and destroy finishes if they come in contact with other appliances or furniture.
- An empty, discarded ice box, refrigerator, or freezer is a very dangerous attraction to children.

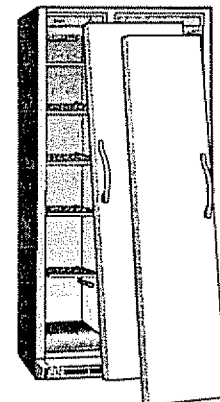
Remove the door(s) of any appliance that is not in use, even if it is being discarded.

Proper Disposal of Your Refrigerator/Freezer

⚠ WARNING Risk of child entrapment. Child entrapment and suffocation are not problems of the past. Junked or abandoned refrigerators or freezers are still dangerous — even if they will sit for "just a few days." If you are getting rid of your old refrigerator or freezer, please follow the instructions below to help prevent accidents.

BEFORE YOU THROW AWAY YOUR OLD REFRIGERATOR/FREEZER:

- Remove doors.
- Leave shelves in place so children may not easily climb inside.



⚠ WARNING ELECTRICAL INFORMATION

These guidelines must be followed to ensure that safety mechanisms in the design of this refrigerator will operate properly.

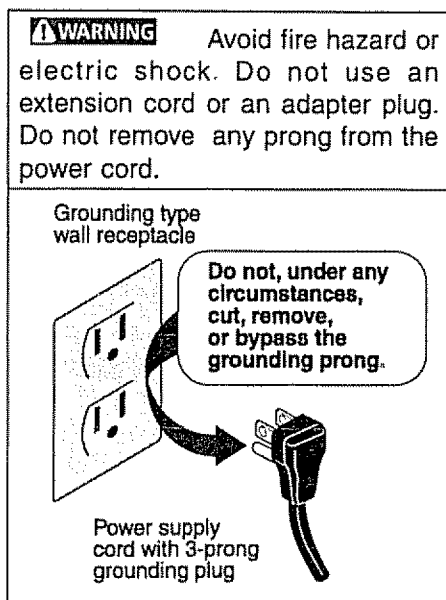
- **Refrigerator must be plugged into its own 115 Volt, 60 Hz., AC only electric outlet.** The power cord of the appliance is equipped with a three-prong grounding plug for your protection against shock hazards. It must be plugged directly into a properly grounded three-prong receptacle. The receptacle must be installed in accordance with local codes and ordinances. Consult a qualified electrician. **Do not use an extension cord or adapter plug.**
- If voltage varies by 10% or more, performance of your refrigerator may be affected. Operating refrigerator with insufficient power can damage the compressor.
- To prevent the refrigerator from being turned off accidentally, do not plug unit into an outlet controlled by a wall switch or pull cord.
- Do not pinch, knot, or bend the cord in any manner.

OTHER PRECAUTIONS

- Never unplug the refrigerator by pulling on the cord. Always grip the plug firmly, and pull straight out from the receptacle.
- To avoid electrical shock, unplug the refrigerator before cleaning and before replacing a light bulb.

NOTE: Turning the temperature control to OFF turns off the compressor, but does not disconnect the power to the light bulb or other electrical components.

- Do not operate refrigerator in the presence of explosive fumes.
- Avoid contact with any moving parts of automatic ice maker.



REFRIGERATOR WARRANTY

FULL ONE-YEAR WARRANTY ON REFRIGERATOR

For one year from the date of purchase, when this refrigerator is operated and maintained according to the instructions provided in this Owner's Guide, Sears will repair this refrigerator, free of charge, if defective in material or workmanship.

FULL FIVE-YEAR WARRANTY ON SEALED REFRIGERATION SYSTEM

For five years from the date of purchase, when this refrigerator is operated and maintained according to the instructions provided in this Owner's Guide, Sears will repair the sealed system (consisting of refrigerant, connecting tube, and compressor motor), free of charge, if defective in material or workmanship.

The above refrigerator warranty applies only to refrigerators which are used for storage of food for private household purposes.

FULL 30-DAY WARRANTY ON KENMORE REFRIGERATOR WATER FILTRATION CARTRIDGE. If this Kenmore Refrigerator Water Filtration Cartridge fails due to a defect in material or workmanship within 30 days from the date of purchase, RETURN IT TO THE NEAREST SEARS STORE IN THE UNITED STATES and Sears will replace it, free of charge.

This warranty gives you specific legal rights and you may also have other rights which vary from state to state.

Warranty service is available by contacting the NEAREST SEARS SERVICE CENTER/DEPARTMENT in the United States. See the back page of this manual.

For warranty questions, please contact the following address.

**Sears, Roebuck and Co.
Dept. 817WA
Hoffman Estates, IL 60179**

ENGLISH

CANADA — LIMITED WARRANTY



Refrigerators

Sears Canada Inc., warrants every new *Kenmore* refrigerator to be free from defects in material or workmanship. What Sears will do, free of charge, in case of defect:

What is covered?	How long warranted? (from date of sale)	Parts: At Sears' option, either repair or supply replacement part for:	Labor: Install repaired or replacement part for:
The Compressor	TEN (10) YEARS	TEN (10) YEARS	FIVE (5) YEARS
The Sealed System (consisting of refrigerant, evaporator, and condenser)	FIVE (5) YEARS	FIVE (5) YEARS	FIVE (5) YEARS
All other parts or adjustments	ONE (1) YEAR	ONE (1) YEAR	ONE (1) YEAR

Normal Responsibility of the Customer

The following items, since they are not manufacturing defects, are not included in the warranty, but are the responsibility of the customer:

- 1) Damage to finish after delivery.
- 2) Improper power supply, low voltage, or any defects in the house wiring system or appliance not connected to electric outlet.
- 3) Replacement of light bulbs.
- 4) Damage caused by moving the product from its original installation.
- 5) Service required as a result of alteration, abuse, fire, floods, or acts of God.
- 6) Providing adequate air circulation to the refrigerating system.
- 7) Proper use and care of product as listed in the customer's manual; proper setting of the controls.

If any service is required under this warranty, simply call **1-877-LE-FOYERSM** (1-877-533-6937).

This warranty is in addition to any statutory warranty. The above warranty covers *Kenmore* Refrigerators sold and operated in Canada only and shall not apply if the refrigerator is used for other than domestic purposes.

Sears Maintenance Agreement

Maintain the value of your *Kenmore* refrigerator with a Sears Maintenance Agreement.

SEARS CANADA INC. • Toronto, Canada • M5B 2B8

FIRST STEPS

This Owner's Guide provides specific operating instructions for your model. Use the refrigerator only as instructed in this Owner's Guide. **Before starting the refrigerator, follow these important first steps.**

LOCATION

- Choose a place that is near a grounded electrical outlet. **Do Not** use an extension cord or an adapter plug.
- If possible, place the refrigerator out of direct sunlight and away from the range, dishwasher or other heat sources.
- The refrigerator must be installed on a floor that is level and strong enough to support a fully loaded refrigerator.
- Consider water supply availability for models equipped with an automatic ice maker.

INSTALLATION

- Do not install the refrigerator where temperature will drop below 60°F (15°C) or rise above 110°F (43°C). The compressor will not be able to maintain proper temperatures.
- In a recessed installation, allow an extra 1/2 inch (10-15 mm) on each side, for ease of installation.
- To permit proper door swing, if the hinge side of the unit will be placed against a wall, allow a 1- 3/4 inch (44 mm) space between the wall and the refrigerator.

DOOR OPENING

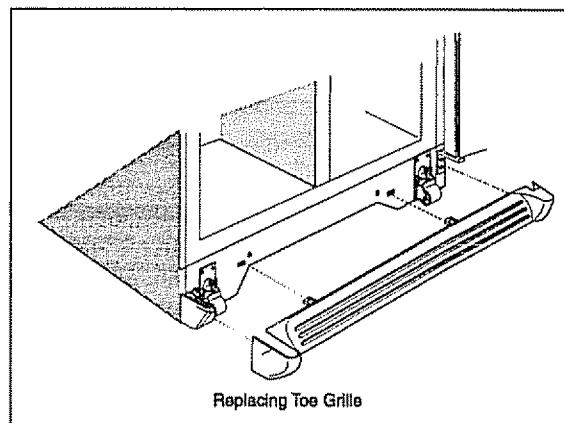
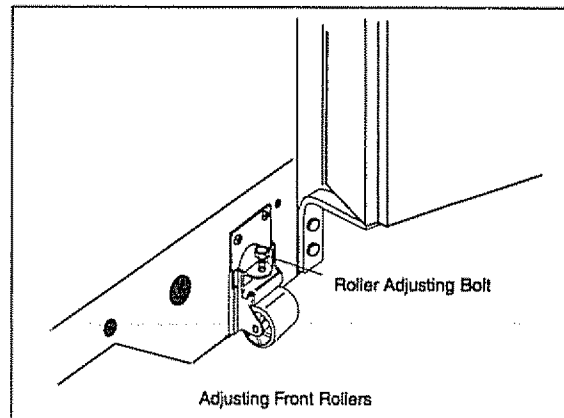
The doors should open to allow easy access to a counter when removing food.

- Do not position the refrigerator so you have to walk around the refrigerator doors.

LEVELING

- Refrigerator must be leveled with all bottom corners resting firmly on a solid floor. Adjust front rollers to level cabinet both front-to-rear and side-to-side. Keep cabinet as low as possible for stability. **Never adjust cabinet rollers so front is lower than rear.**
- **To adjust front rollers:** Open refrigerator and freezer doors. Remove toe grille by pulling it straight out. Adjust rollers by turning each roller adjusting bolt with an adjustable wrench, a socket wrench, or a nutdriver until the refrigerator is level and stable. Rear rollers are not adjustable.
- Check both doors to ensure the seals touch the cabinet evenly on all four corners.

- If freezer door is higher than refrigerator door, raise right corner and/or lower left corner until doors align across top of cabinet.
- If refrigerator door is higher than freezer door, raise left corner and/or lower right corner until doors align across top of cabinet.



- **To replace toe grille:** Line up tabs with holes, and push grille straight on.

CLEANING

- Wash the inside, all removable parts, and the outside with mild detergent and warm water. Wipe dry. **Do Not use harsh cleaners on these surfaces.**
- Do not use razor blades or other sharp instruments that can scratch appliance surface, when removing adhesive labels. Any glue left from tape or energy label can be removed with a mixture of warm water and mild detergent, or touch residue with sticky side of tape already removed.
- **Do not remove the Serial Plate.**

ENERGY SAVING TIPS

ENGLISH



- Install the refrigerator in the coolest part of the room, out of direct sunlight and away from heating ducts or registers. Do not place the refrigerator next to heat-producing appliances such as a range, oven or dish washer. If this is not possible, a section of cabinetry or an added layer of insulation between the two appliances will help the refrigerator operate more efficiently.
- Level the refrigerator so the doors close tightly.
- Refer to this Owner's Guide for the suggested refrigerator settings.
- Periodic cleaning of the condenser will help the refrigerator run more efficiently. See Outside in the "Care and Cleaning" section.
- Do not overcrowd the refrigerator or block cold air vents. Doing so causes the refrigerator to run longer and use more energy. Shelves should not be lined with aluminum foil, wax paper or paper toweling. Liners interfere with cold air circulation, making the refrigerator less efficient, which could cause food spoilage.
- Cover foods and wipe containers dry before placing them in the refrigerator. This cuts down on moisture build-up inside the unit.
- Organize the refrigerator to reduce door openings. Remove as many items as needed at one time and close the door as soon as possible.

SETTING THE CONTROLS

COOL DOWN PERIOD

To ensure safe food storage, allow the refrigerator to operate with the doors closed for a least 8 to 12 hours before loading with food.

REFRIGERATOR CONTROL

- The refrigerator control should be set at the midpoint of the dial for a trial period of 24 hours.
- After 24 hours, adjust the control as needed. For colder temperatures, turn the dial a notch towards COLDEST. For warmer temperatures, turn the dial a notch toward COLD. Adjust temperature by one increment at a time.

FREEZER CONTROL

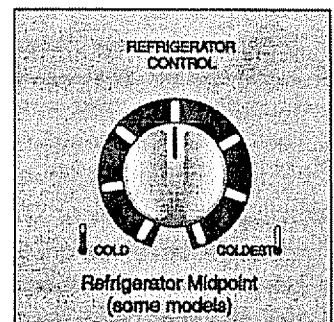
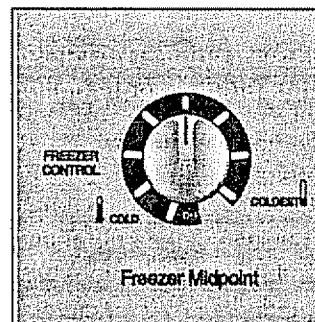
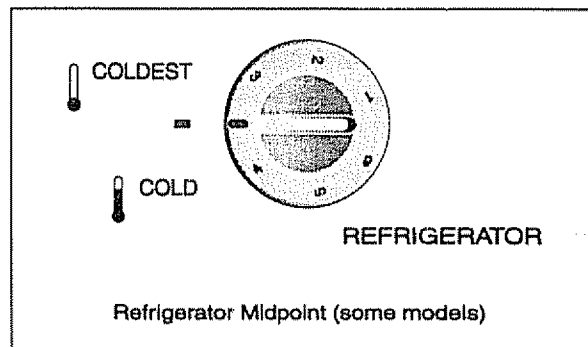
- The freezer control should be set at the midpoint of the dial for a trial period of 24 hours.
- After 24 hours, adjust the control as needed. For colder temperatures, turn the dial a notch towards COLDEST. For warmer temperatures, turn the dial a notch towards COLD. Adjust temperatures by one increment at a time.

NOTE: When first setting the controls or when changing a setting, wait 24 hours for the temperature to stabilize before making additional changes.

Turning the freezer control may change temperatures in both compartments. For example, if the freezer control is turned to a colder setting, the refrigerator control may have to be adjusted to a warmer one. Turning the refrigerator control will change only the refrigerator temperature.

IMPORTANT: If the freezer control is turned to OFF, cooling stops in both compartments.

You may hear the "Frost Free" system working. A fan circulates air in the refrigerator and freezer compartments. For good circulation and maintenance of proper cooling temperatures, do not block cold air vents with food items. Water draining into the defrost water pan and hissing sounds are normal during the automatic "Frost Free" cycle.



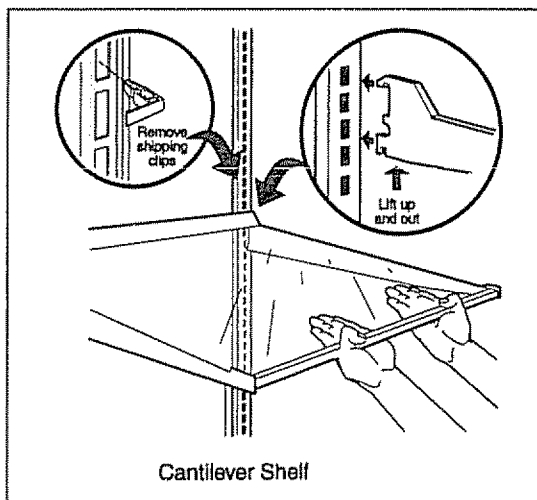
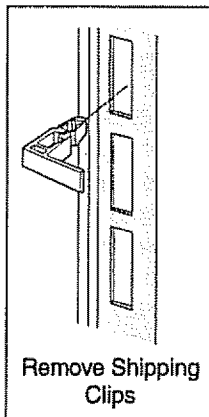
FRESH FOOD STORAGE

SHELF ADJUSTMENT

Refrigerator shelves are easily adjusted to suit individual needs. Before adjusting shelves, remove all food. The shipping clips that stabilize the shelves for shipping may be removed and discarded.

To adjust the cantilever shelves (shelves supported at the rear of the refrigerator), lift the back of the shelf up and out. Replace shelf by inserting hooks at rear into slots. Lower and lock into position.

Spillproof™ glass shelves catch and hold accidental spills. In some models, the *Spillproof™* shelves slide out for easy access to food and fast cleaning. The shelves slide out independently of the cantilever bracket. Just pull front of shelf forward. Shelf can be extended as far as stopper will allow and is not removable from the cantilever bracket.



DOOR STORAGE

Door bins and shelves are provided for convenient storage of jars, bottles and cans. Items used often are available for quick selection.

The door bins can be moved to suit individual needs. Remove bins by lifting straight up. Place bins in the desired position and lower over the supports.

The Dairy compartment is warmer than the general food storage section and is intended for short term storage of cheese, spreads, or butter.

CRISPER

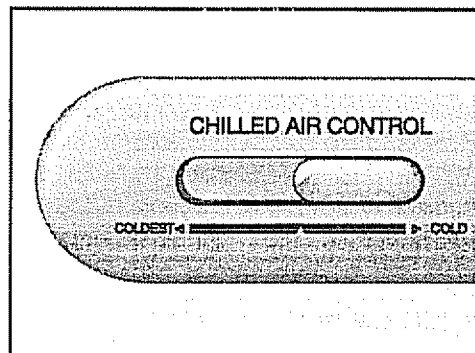
The Crisper drawer, located under the bottom refrigerator shelf, is for storing fruits and vegetables. Most produce should be washed in clear water and drained before placing in this drawer. Items with strong odors or high moisture should be wrapped before storing.

MEAT KEEPER

The Meat Keeper is located at the bottom of the refrigerator. The temperature in this compartment can be made colder than the rest of the refrigerator compartment by sliding the Chilled Air Control knob within the COLDEST or COLD range. Meat will be partially frozen and may be kept fresh longer than if stored on a refrigerator shelf.

Before placing items in the Meat Keeper, follow these steps to keep the meat fresh:

1. Carefully handle meat with clean hands and always keep the compartment clean.
2. Store meat in its original wrapper. If necessary, wrap in plastic wrap or foil to prevent drying. Wrap fish tightly to prevent odor transfer to other foods.
3. If spoilage ever occurs, disinfect the compartment with liquid chlorine bleach following label directions. Then rinse with a solution of baking soda and water. Rinse with clear water and dry.

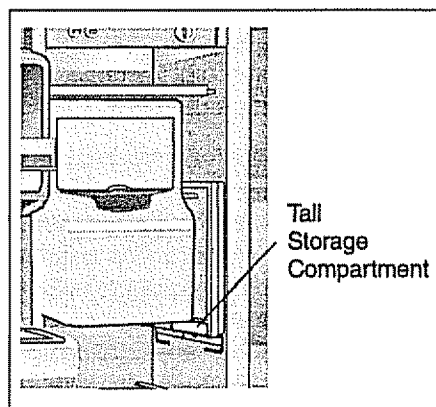


FREEZER BASKET

A slide-out wire basket (some models have two) hangs below the bottom freezer shelf. This basket provides easy access to frozen food packages.

TALL STORAGE COMPARTMENT (SOME MODELS)

A shelf is attached to the freezer wall just below the ice server. This allows for convenient storage of tall items placed vertically between the ice server and the freezer wall.



AUTOMATIC ICE AND WATER DISPENSER

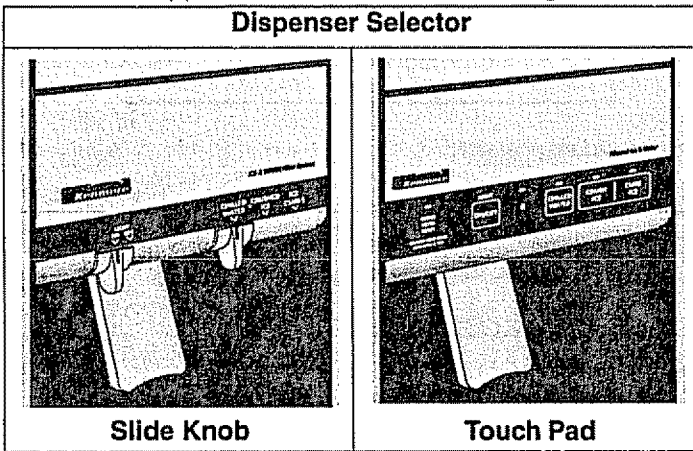
The ice and water dispenser on the freezer door conveniently dispenses chilled water, and either ice cubes or crushed ice, depending on the model. Some models feature a slide knob selector for ice and water dispensing, while other models feature a touch pad selector for dispensing.

To operate the dispenser, press the pad or slide the knob for the selection of your choice and press a glass against the dispensing arm. Hold the glass as far up as possible to catch all ice. To stop dispensing, pull glass away from dispensing arm. When dispensing ice, release the dispensing arm before the glass is full, but do not remove the glass until the ice has completely dispensed. (Complete instructions for the dispenser operation are attached to the inside of the freezer door.)

A small heated area beneath the dispenser floor catches and evaporates small spills. This drip tray is removable and dishwasher safe. **Do not pour water or excess cubes into this area** because there is no drain.

LIGHT

The dispenser has a light which can be turned on and off by sliding the knob to the desired position or by pressing the "Light ON/OFF" pad. The light also turns on automatically when ice and/or water is dispensed. Replace light bulb with an appliance bulb of the same wattage.

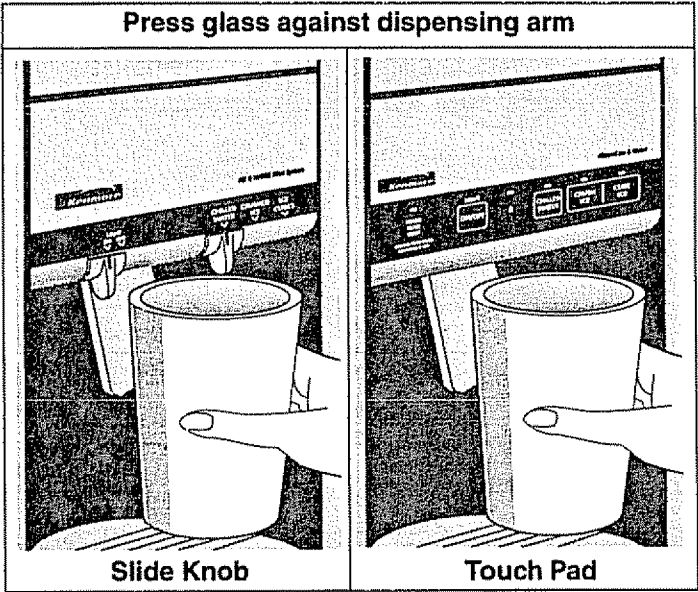


To ensure fresh-tasting water, plan to use the dispenser every day. If the water dispenser has not been used for a week or more, draw and discard 7-8 glasses to freshen the tank supply.

HOW THE ICE DISPENSER WORKS

The ice maker and ice storage bin are located in the top left corner of the freezer compartment. After the refrigerator is installed properly and has cooled for several hours, the ice maker can begin making ice. To begin ice production, lower the wire signal arm to the "down" or ON position. As cubes are made, they are stored in the storage bin. Although it may take 1 or 2 days to fill the bin, the dispenser may be used after the first batch of ice is made. The ice maker turns off automatically when the ice storage bin is full.

Because of new plumbing connections, the first production of ice cubes may be discolored or have an odd flavor. These should be discarded until the cubes made are free of discoloration and taste. **CAUTION** Remember, water quality determines your ice quality. It is best to connect the ice maker to water that is not softened. Contaminants from a malfunctioning softener can damage the ice maker. If ice maker is connected to soft water, ensure the softener is maintained and working properly.

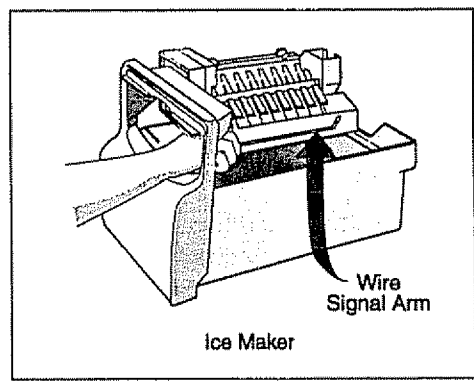


HOW THE WATER DISPENSER WORKS

The water tank is located behind the drawers in the refrigerator compartment. As the water is dispensed, the tank is automatically refilled. For proper operation of the dispenser, the supply water pressure must fall between 30 psi and 120 psi.

After the refrigerator is installed and the plumbing connections are complete, the water tank should be filled by drawing one glass of water. **This will take about 1-1/2 minutes.** Then, draw and discard 7 more glasses to be sure that the tank and plumbing connections are rinsed of any impurities. The water delivery system has a built in shut off device that will stop the water flow after 3 minutes of continuous use. Simply release the actuator button to reset the dispensing mechanism.

To stop the ice maker, lift the wire signal arm until it clicks and locks in the "up" or OFF position.



LOCKOUT FEATURE (TOUCH PAD MODELS)

Your ice and water dispensing system can be locked out to prevent unwanted use. To do this, press the picture of the padlock for 3-5 seconds. When the system is locked off, a small red light will appear over the padlock. To unlock the system, press the padlock for 3-5 seconds until the small red light goes out. Your ice and water dispenser is now ready to use again.

ICE DISPENSER TIPS

- Ice cubs stored too long may develop an odd flavor. Empty the container and return it to the proper position. The Ice Maker will then produce more ice.
- Occasionally shake the container to keep ice separated.
- If the dispensing arm is pushed in for more than 4 minutes, the dispenser motor may overload and stop. The overload protector will reset automatically after 3 or 4 minutes. If a large quantity of ice is needed at one time, it is best to remove cubes directly from the ice storage bin.
- Certain sounds are normal when the Ice Maker is operating. They are:
 - Motor operation
 - Ice being loosened from the tray
 - Ice dropping from the storage bin
 - Running water
 - Water valve opening or closing

For more information on these operations, see "Normal Operating Sounds."
- Stop the Ice Maker when cleaning the freezer or for long vacations.
- If the Ice Maker is to be turned off for a long period of time, turn the water supply valve to the closed position.

CLEANING THE ICE DISPENSER

Clean the dispenser and ice storage bin at regular intervals, particularly before you take a vacation or move, or if the Ice Dispenser sticks.

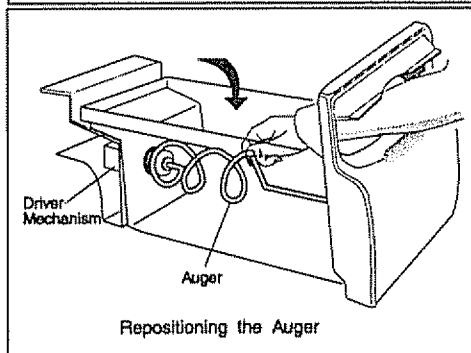
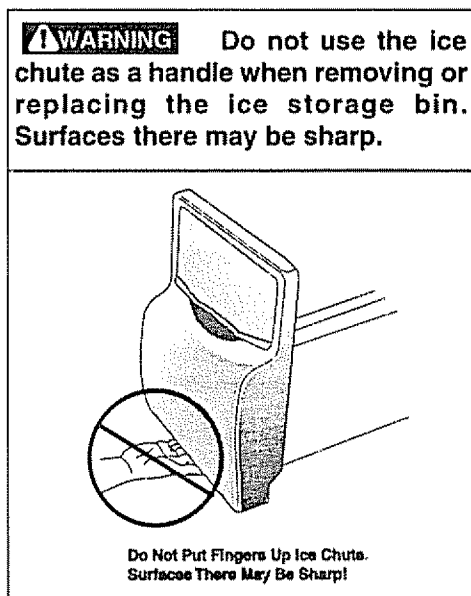
- Stop ice production by lifting the wire signal arm to the "up" or OFF position.
- Remove ice storage bin by lifting up and out. Empty and carefully clean the bin with **mild** detergent. Do not submerge the bin while cleaning. Rinse with clear water. Do not use harsh or abrasive cleaners. Allow ice bin to dry completely before replacing in the freezer.
- Remove ice chips and clean the shelf and chute that supports the ice storage bin.
- Replace the ice storage bin. Lower the wire signal arm on the Ice Maker to the "down" position or ON position and the Ice Maker will resume production.

IMPORTANT: When removing or replacing the ice bin, do not rotate the auger in the ice bin. If the auger is accidentally turned, you must realign the auger by turning it in 90° turns until the ice bin fits into place with the drive mechanism. For further instruction, see the label on the ice bucket.

Remove and empty the ice storage bin if:

- An extended power failure (one hour or longer) causes ice cubes in the ice storage bin to melt and freeze together and jam the dispenser mechanism.
- The ice dispenser is not used frequently. Ice cubes will freeze together in the ice storage bin and jam the dispenser mechanism. Remove the ice storage bin and shake to loosen the cubes.

NEVER use an ice pick or similar sharp instrument to break up the ice. This could damage the ice storage bin and dispenser mechanism.



KENMORE ICE AND WATER FILTER (SOME MODELS)

ENGLISH

NOTE: If you purchased a refrigerator with a Kenmore Ice and Water Filter, please read the following use and care information.

This ice and water filter system filters water to your ice maker and water dispenser. It is located in the upper right back corner of the fresh food compartment (See Figure 1).

SYSTEM STARTUP:

Water supply does not need to be turned off, however do not use ice and water dispenser while installing filter. Refer to Figure 1 as you complete these instructions.

The filter cartridge has already been installed in the filter housing at the factory. Refer to the "How The Ice Dispenser Works" section to properly fill the system with water.

CHANGING THE FILTER:

Water quality varies throughout the world. To ensure the highest possible water quality, change water filter every 6 months, or 200 gallons. Also, if filter has been in a refrigerator that has not been in use for awhile (during moving for example), change filter before reinstalling refrigerator. Note dispenser system will also operate without filtration (with filter cartridge removed).

TO CHANGE FILTER:

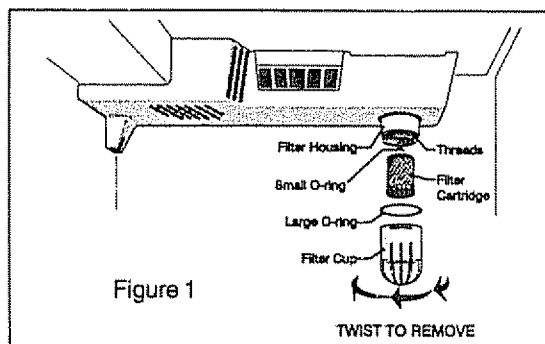
Refer to Figure 1 as needed. It is not necessary to turn the water supply off to change the filter.

1. Set ice maker lever (wire signal arm) to the OFF (up) position.
2. Hold filter cup firmly, and unscrew counter clockwise (Figure 1). (Some water could leak out as you remove cup. This is normal.) Filter cartridge should come down with cup. If cartridge remains in housing, pull down gently, while twisting filter back and forth.
3. Empty cup of any substance.
4. The large o-ring (Figure 1) that seals the filter system sets in the o-ring groove down inside the cup. Should the o-ring fall out during filter cartridge replacement, simply place it back in the groove prior to screwing the cup back in place. If the o-ring becomes damaged, you will need to order one from the Consumer Assistance Center.
5. Discard old filter cartridge.
6. Remove new filter cartridge from packaging, and install.
7. Place filter cartridge in cup. The end with the small o-ring should be up, out of the cup.
8. Screw cup, with filter, back onto housing. Filter cartridge will self-align as cup is tightened. Be sure cup is completely tightened with **Kenmore** logo facing outward. DO NOT TIGHTEN PAST STOP.

9. Set ice maker lever on the ON (down) position.
10. Check for leaks. Open refrigerator door. Wipe any water drops from the filter cup. Run a glass of water. If there is a leak, unscrew filter cup, and reinsert the filter cartridge. Check placement of large O-ring (see Figure 1). Reinstall filter cup, making certain it is tightened completely.
11. To condition filter system and purge air from water line, run several glasses of water through water dispenser. This will also assure that the purest water possible is stored in water tank.

FILTER INDICATOR RESET

The "Change Filter" indicator light will light up each time the dispenser is used. While the filter is still operating within its specified life cycle, the filter indicator light will be green. When the filter has reached approximately 80% of its useful life, the green light will become an amber light. This is the recommended time to purchase a replacement filter cartridge. When the filter is 100% used up, the amber light will become a red light. You should change the filter as soon as possible at this time. After the filter cartridge has been changed, press the words that say "Filter Light Reset". If the light was red or amber, you will need to press for 3-5 seconds to reset to green (the green light will flash when reset is complete). If the light was still green, you will need to press for 10-12 seconds to reset (again the green light will flash when reset is complete).



New filter cartridges can be obtained through your local Sears Retail Store, or contact the Sears Service Center at:

1-800-366-7278 (U.S.A. & Canada)

It might be good to order some filters when you first install your refrigerator. Be sure to ask for the RC-200 Kenmore replacement cartridge. (Replacement Part Number 9066).

The Kenmore RF-200 ice and water filter system is tested and certified by NSF International, the nationally recognized and respected, not for profit, certification organization for public health safety. The Kenmore Filter system is tested and certified to ANSI/NSF Standards 42 and 53. See performance data sheet for specifications. This system should not be used on water that is microbiologically unsafe or with water of unknown quality unless the water has been adequately disinfected before or after travelling through the filtration system.

Rated service flow - .37 GPM
Maximum Rated Pressure - 125 PSI
Maximum Operating Temp. - 100°



CARE AND CLEANING

Keep your refrigerator and freezer clean to prevent odor build-up. Wipe up any spills immediately and clean both sections at least twice a year. **Never** use metallic scouring pads, brushes, abrasive cleaners or strong alkaline solutions on any surface. **Do not** wash any removable parts in a dishwasher.

Always unplug the power cord from the wall outlet before cleaning.

NOTE: Turning the control to OFF does not disconnect power to the controls, light bulb, or other electrical components.

CAUTION Damp objects stick to cold metal surfaces. Do not touch refrigerated surfaces with wet or damp hands.

INSIDE

Wash inside surfaces of the refrigerator and freezer with a solution of 2 tablespoons baking soda in 1 quart warm water. Rinse and dry thoroughly. Be sure to wring excess water out of sponge or cloth before cleaning around the controls, light bulb, or any electrical parts.

Wash removable parts such as shelves and drawers with baking soda solution or mild detergent and warm water. **Do not use harsh cleaners on these surfaces.** Rinse and dry thoroughly. Clean the door gaskets with mild suds, rinse with clear water and wipe dry. Do not use razor blades or other sharp instruments which can scratch the appliance surface when removing adhesive labels. Any glue left from the tape or energy label can be removed with a mixture of warm water and mild detergent, or, touch the glue with the sticky side of tape already removed. **Do Not remove the serial plate.**

CAUTION To avoid damage and help the refrigerator run as efficiently as possible, clean the condenser and air vents periodically.

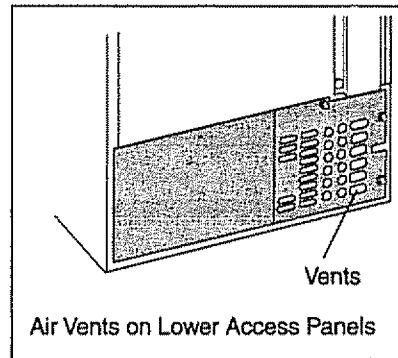
OUTSIDE

Wash the cabinet and handles with warm water and mild liquid detergent. Rinse well and wipe dry with a clean soft cloth. Do not use commercial household cleaners, ammonia, or alcohol to clean handles.

Clean stainless steel (some models) front and handles with hot soapy water and a dishcloth. Rinse with clean water and a soft cloth. Wipe stubborn spots with an ammonia-soaked paper towel, and rinse. Cleaners made especially for stainless steel, such as Sheila Shine, trademark of Sheila Shine, Inc., Stainless Steel Magic, trademark of Magic American Corp., or similar products are suggested. Always follow manufacturer's instructions. Wash the rest of the cabinet with warm water and mild liquid detergent. Rinse well, and wipe dry with a clean soft cloth.

Remove any dust or dirt from the front of the toe grill using a vacuum cleaner with its dusting tool attachment. Remove the toe grill by pulling it straight out. While the grill is removed, vacuum the backside of the grill and wipe with a sudsy cloth or sponge. Periodically clean the condenser (black tubes and wires beneath the refrigerator, behind the toe grill). Do not allow lint or dust to accumulate on the coils. Insert a long handled brush or vacuum attachment between the two coils to bring the lint forward. To replace the toe grill, line up tabs with holes and push grill straight on. **CAUTION** Use caution when cleaning in the area of the coils. Surfaces there may be sharp.

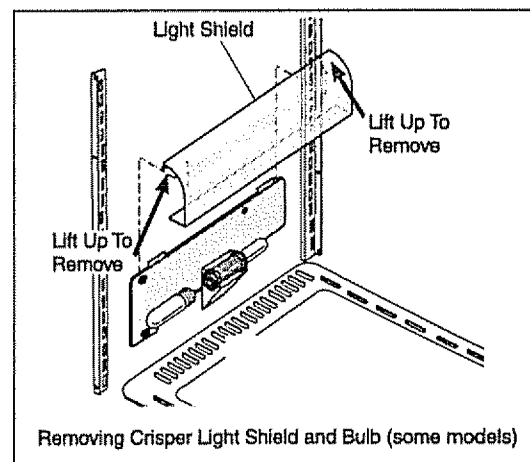
The air vents on the lower access panel at the rear of the refrigerator should be cleaned periodically. Clean the vents by using a vacuum cleaner with its dusting tool attachment. When moving the refrigerator, pull straight out. Do not shift the refrigerator from side to side as this may tear or gouge the floor covering. Be careful not to move the refrigerator beyond plumbing connections.



REPLACING THE LIGHT BULB

To replace the light bulb in either compartment:

1. Unplug refrigerator.
2. Wear gloves as protection against possible broken glass.
3. Replace old bulb with an appliance bulb of the same wattage.
4. Remember to plug refrigerator back in.



VACATION AND MOVING TIPS

Short vacations:

- Leave the refrigerator operating during vacations of 3 weeks or less.
- Use up all perishable items from the refrigerator section.
- Wrap and store other items in the freezer.
- Turn off the automatic ice maker, even if you will be gone just a few days.

Long vacations:

- Remove all food and ice if you will be gone 1 month or more.
- Turn the controls to OFF and disconnect the power.
- Turn off the automatic ice maker and turn the water supply valve to the closed position.
- Clean the interior thoroughly.
- Leave both doors open to prevent odor and mold buildup. Block open if necessary.

Moving: When moving the refrigerator, follow these guidelines to prevent damage:

- Remove all food and other items from both the refrigerator and freezer compartments. Empty the ice storage bin.
- If a hand truck is used in moving, load the refrigerator from the side.
- Turn the rollers as far up as possible. This will protect them during sliding or moving.
- The cabinet should be well padded and handled with care. **DO NOT DROP.**

IMPORTANT

Once your refrigerator Ice and Water dispensing system has been filled with water, it is important that the refrigerator remain in an environment that stays above the freezing mark.

If the refrigerator is going to be stored in an environment that will fall below freezing, or will see freezing temperatures during a move, the water in the Ice and Water system must be drained completely. Failure to do so could result in damage to the Ice and Water system. This damage could result in water leaks when the refrigerator is put back in service.

It would be advisable to contact a service representative to perform this operation.

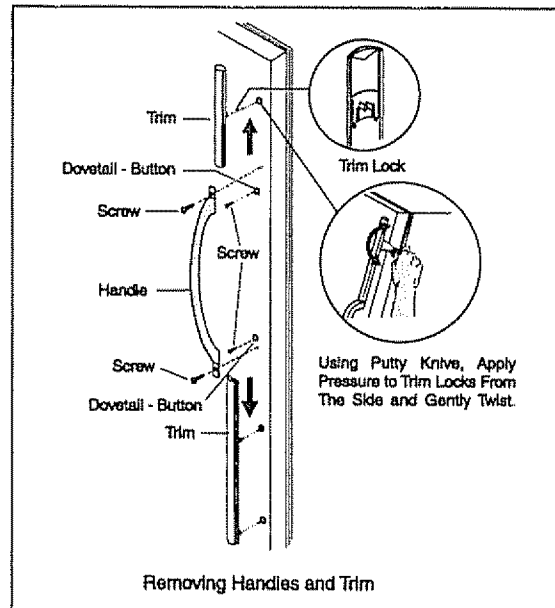
REMOVING THE HANDLES AND DOORS

If it is necessary to move refrigerator through narrow doorways, follow these steps to remove refrigerator and freezer handles and/or doors.

TO REMOVE HANDLES

Full-length Trim

1. Using a putty knife, carefully slide corner of the blade under trim. Slide blade down until you find trim lock. Carefully maneuver blade against trim lock from the side, as shown. **Pressing down on trim lock from above will not release it.**
2. Carefully push putty knife firmly against trim lock, and twist putty knife gently. Trim lock will snap free from door. (Lower trim piece will have two trim locks.)
3. Grasp trim, and pull up away from handle using a slight side-to-side motion.
4. Remove screw attaching handle to door.
5. Repeat these steps for each handle end. Keep screws and trim pieces.
6. Slide handle up and off dovetail buttons.
7. To replace handles, place handle over dovetail buttons, making sure end marked TOP is up. Pull down to align handle holes with screw holes. Install screws. Slide upper and lower trim pieces back on handle ends, and snap trim locks back into holes on door front.



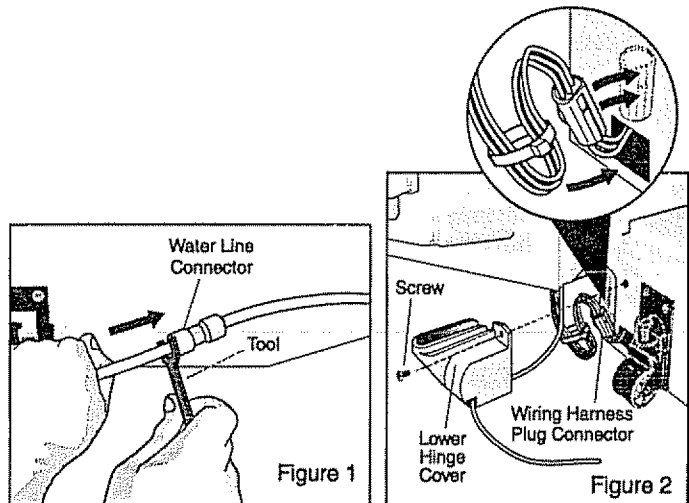
TO REMOVE DOORS

Before removing the doors, ensure the freezer control is turned to OFF. Remove all the food from the doors, and unplug the refrigerator. Remove the toe grill.

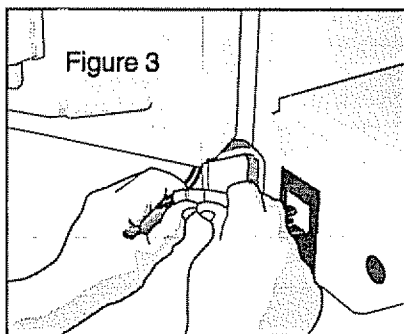
Trace around the hinges with a soft lead pencil. This will make it easier to realign the doors when they are replaced. Completely remove one door before starting removal of the other.

FREEZER DOOR:

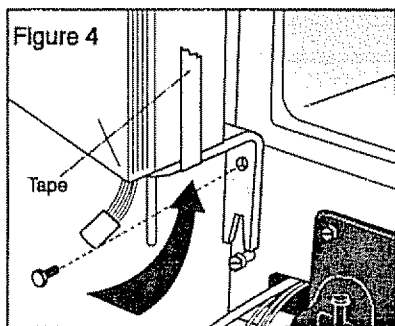
1. Remove the toe grille (see "Outside" in *Care and Cleaning* Section).
2. To disconnect water line, grip tube firmly in left hand and use tool (located in bag under toe grille) to push in on gray collar to release water connector (Figure 1).



3. Remove screw to detach lower hinge cover (Figure 2).
4. To disconnect wiring harness plug connector, place your thumbs on the flat sides of each connector piece. Bend both parts back and forth. Then with a firm grasp, pull the two pieces apart as shown (Figure 3).



5. Place a strip of tape along door bottom, over lower hinge and up the side of the door. This will hold hinge in place when door is removed (Figure 4).



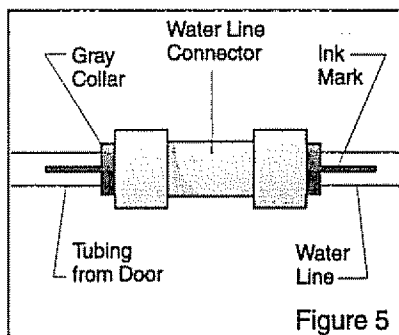
6. Loosen, but **DO NOT REMOVE**, bottom lower hinge bolt. Remove top lower hinge bolt (Figure 4).
7. Remove top hinge cover by lifting back of cover and sliding forward. Remove screws mounting hinge bracket to cabinet. Hold bracket when removing last screw; door closer mechanism places mild spring tension on hinge. **DO NOT** remove hinge bracket from door.
8. Carefully lift door up and off loosened lower hinge bolt (Figure 4).

REFRIGERATOR DOOR:

1. Remove top hinge cover by lifting back of cover and sliding forward. Remove screws mounting hinge bracket to cabinet. Hold bracket when removing last screw; door closer mechanism places mild spring tension on hinge. **DO NOT** remove hinge bracket from door.
 2. Loosen, but **DO NOT REMOVE**, bottom lower hinge bolt. Remove top lower hinge bolt
 3. Carefully lift door up and off loosened lower hinge bolt.
- Store doors in a safe place until refrigerator is moved to desired location. Keep all hardware for reinstallation.

TO REINSTALL FREEZER DOOR:

1. Position door on unit and tighten screws.
2. Reconnect the wiring connector, making sure it is locked. Fold wires as shown and apply a twist tie (Figure 2). Insert tube through hole in cover. **Position cover over wires without pinching the wires.** Install the screw to attach cover.
3. **IMPORTANT:** To reinstall water line connector, push door tube firmly into connector until connector touches the black mark on the tube and stops (Figure 5). This step is critical to ensure that the water line does not leak.



TO REINSTALL REFRIGERATOR DOOR

To reinstall refrigerator door, reverse instructions used to remove door.

AVOID SERVICE CHECKLIST		Before calling for service, review this list. It may save you time and expense. This list includes common occurrences that are not the result of defective workmanship or materials in this appliance.	
PROBLEM	CAUSE	CORRECTION	
<i>RUNNING OF REFRIGERATOR</i>			
Compressor does not run.	<ul style="list-style-type: none"> • Freezer control is OFF. • Refrigerator is in defrost cycle. • Plug at wall outlet is disconnected. • House fuse blown or tripped circuit breaker. • Power outage. 	<ul style="list-style-type: none"> • Set freezer control. See "Setting the Controls". • This is normal for a fully automatic defrost refrigerator. The defrost cycle occurs periodically, lasting about 20 minutes. • Ensure plug is tightly pushed into outlet. • Check/replace fuse with a 15 amp time-delay fuse. Reset circuit breaker. • Check house lights. Call local Electric Company. 	
Refrigerator runs too much or too long.	<ul style="list-style-type: none"> • Room or outside weather is hot. • Refrigerator has recently been disconnected for a period of time. • Automatic Ice Maker is operating. • Doors are opened too frequently or too long. • Refrigerator/freezer door may be slightly open. • Refrigerator control is set too cold. (Control found in refrigerator section) • Refrigerator/freezer gasket is dirty, worn, cracked, or poorly fitted. 	<ul style="list-style-type: none"> • It's normal for the refrigerator to work longer under these conditions. • It takes 8-12 hours for the refrigerator to cool down completely. • Ice Maker operation causes refrigerator to run slightly more. • Warm air entering the refrigerator causes it to run more. Open doors less often. • Ensure refrigerator is level. Keep food and containers from blocking door. See PROBLEM section OPENING / CLOSING OF DOORS/DRAWERS. • Set refrigerator control to warmer setting until refrigerator temperature is satisfactory. Allow 24 hours for temperature to stabilize. • Clean or change gasket. Leaks in door seal will cause refrigerator to run longer in order to maintain desired temperatures. 	
Compressor goes off and on frequently.	<ul style="list-style-type: none"> • Thermostat keeps the refrigerator at a constant temperature. 	<ul style="list-style-type: none"> • This is normal. Refrigerator goes off and on to keep temperature constant. 	
<i>TEMPERATURES ARE TOO COLD</i>			
Freezer Temperature too cold. Refrigerator temperature is satisfactory.	<ul style="list-style-type: none"> • Freezer control is set too cold. 	<ul style="list-style-type: none"> • Set freezer control to a warmer setting until freezer temperature is satisfactory. Allow 24 hours for the temperature to stabilize. Then, if refrigerator temperature is not right, set refrigerator control to a colder setting. 	
Refrigerator temperature too cold. Freezer temperature is satisfactory.	<ul style="list-style-type: none"> • Refrigerator control is set too cold. 	<ul style="list-style-type: none"> • Set refrigerator control to a warmer setting. Allow 24 hours for temperatures to stabilize. 	
Food stored in drawers freezes.	<ul style="list-style-type: none"> • Refrigerator control is set too cold. 	<ul style="list-style-type: none"> • See solution above. 	
Food stored in Meat Keeper freezes. (Some models)	<ul style="list-style-type: none"> • Chilled Air Control set too cold. 	<ul style="list-style-type: none"> • Adjust Chilled Air Control to a lower setting. (Meat should be stored at a temperature just below the freezing point for maximum fresh storage time. It is normal for ice crystals to form due to the moisture content of meat.) 	

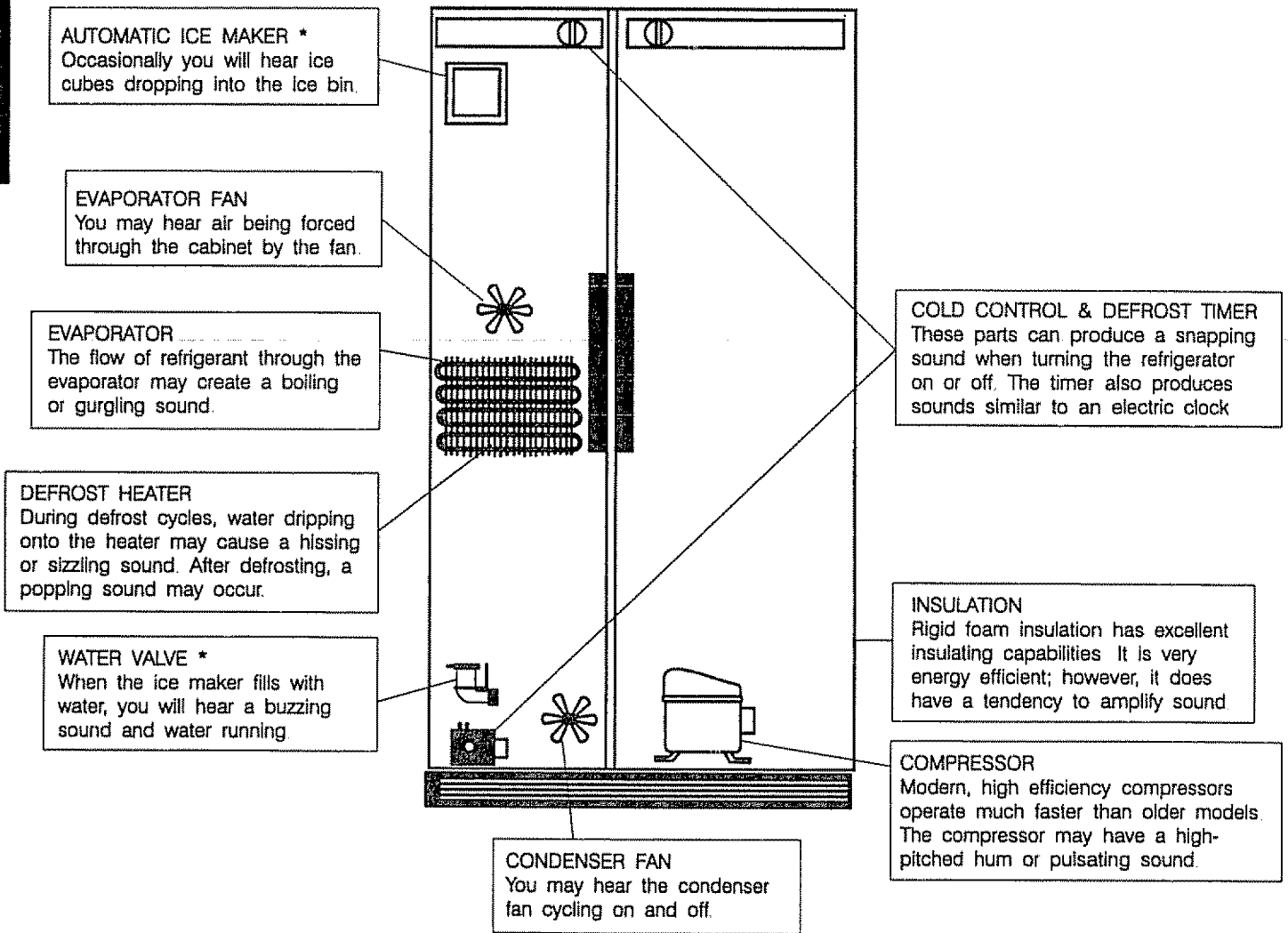
PROBLEM	CAUSE	CORRECTION
TEMPERATURES ARE TOO WARM		
Freezer/Refrigerator temperature is too warm.	<ul style="list-style-type: none"> • Doors are opened too frequently or too long. • Door is slightly open. • Condenser is dirty. 	<ul style="list-style-type: none"> • Warm air enters the refrigerator whenever the door is opened. Open the door less often. • See PROBLEM section OPENING/CLOSING OF DOOR/DRAWERS. • Clean condenser. See "Outside" in Care and Cleaning.
Freezer temperature is too warm.	<ul style="list-style-type: none"> • Freezer control is set too warm. 	<ul style="list-style-type: none"> • Set Freezer control to a colder setting until freezer temperature is satisfactory. Allow 24 hours for the temperature to stabilize. Then, if refrigerator temperature is not right, set refrigerator control to a warmer setting.
Refrigerator temperature is too warm. Freezer temperature is satisfactory.	<ul style="list-style-type: none"> • Refrigerator control is set too warm. 	<ul style="list-style-type: none"> • Set refrigerator control to a colder setting. Allow 24 hours for the temperature to stabilize.
Temperature in the Meat Keeper is too warm. (Some models)	<ul style="list-style-type: none"> • Chilled Air Control is set too warm. 	<ul style="list-style-type: none"> • Adjust Chilled Air Control to a colder setting.
WATER/MOISTURE/FROST INSIDE REFRIGERATOR		
Moisture collects on inside of refrigerator walls.	<ul style="list-style-type: none"> • Weather is hot and humid. • Door is slightly open. • Door is opened too often or too long 	<ul style="list-style-type: none"> • The rate of frost buildup and internal sweating increases. This is normal. • See PROBLEM section OPENING/CLOSING OF DOORS/DRAWERS. • Open door less often.
Water collects on bottom side of drawer cover.	<ul style="list-style-type: none"> • Vegetables contain and give off moisture. 	<ul style="list-style-type: none"> • It is not unusual to have moisture on the bottom side of the cover.
Water collects in bottom of drawer.	<ul style="list-style-type: none"> • Washed vegetables and fruit drain while in the drawer. 	<ul style="list-style-type: none"> • Dry items before putting them in the drawer. Water collecting in bottom of drawer is normal.
WATER/MOISTURE/FROST OUTSIDE REFRIGERATOR		
Moisture forms on outside of refrigerator or between doors.	<ul style="list-style-type: none"> • Weather is humid • Door is slightly open, causing cold air from inside refrigerator to meet warm air from outside. 	<ul style="list-style-type: none"> • This is normal in humid weather. When humidity is lower, the moisture should disappear. • See PROBLEM section OPENING/CLOSING OF DOORS/DRAWERS.
AUTOMATIC ICE MAKER (some models)		
Ice Maker is not making any ice.	<ul style="list-style-type: none"> • Ice Maker wire signal arm is in "up" or "OFF" position. • Household water line valve is not open. • Freezer is not cold enough. • Saddle valve on cold water pipe is clogged or restricted by foreign material • Check to see if the water dispenser is dispensing water. 	<ul style="list-style-type: none"> • Move wire signal arm to the "down" or "ON" position. • Turn on household water line valve. • See PROBLEM section TEMPERATURES ARE TOO WARM. • Turn off household water line valve. Remove, clean, or replace valve. • If not, the <i>Kenmore</i> Ice & Water filter is clogged or restricted by foreign material, and must be replaced.
Ice Maker is not making enough ice.	<ul style="list-style-type: none"> • Ice Maker is producing less ice than you expect. • Freezer is not cold enough. • Household water line valve is not completely open. • Check to see if water dispenser is dispensing slower than normal. 	<ul style="list-style-type: none"> • Ice Maker should produce approximately 2-1/2 to 4 pounds of ice every 24 hours • See PROBLEM section TEMPERATURES ARE TOO WARM. • Turn on household water line valve. • If it is, replace the <i>Kenmore</i> Ice & Water filter cartridge.

PROBLEM	CAUSE	CORRECTION
AUTOMATIC ICE MAKER (Continued)		
Ice Maker will not stop making ice.	<ul style="list-style-type: none"> Ice Maker wire signal arm is being held down by some item in the freezer. 	<ul style="list-style-type: none"> Move item and release wire signal arm. Remove any ice cubes that are frozen together over the wire signal arm.
Ice Maker is not separating the ice cubes.	<ul style="list-style-type: none"> Ice cubes are not being used frequently enough. Ice cubes are hollow or smaller than normal. 	<ul style="list-style-type: none"> Remove and shake ice bucket to separate cubes. The <i>Kenmore</i> Ice & Water filter could be clogged. Replace filter.
Ice has bad odor and taste.	<ul style="list-style-type: none"> Ice has picked up odor or flavor from strong food stored in refrigerator or freezer. Water running to Ice Maker has poor taste or odor. 	<ul style="list-style-type: none"> Cover foods tightly. Discard stale ice. Ice Maker will produce fresh supply. Add filter to make ice. Consult a water purifying company.
ICE DISPENSER		
Dispenser will not dispense ice.	<ul style="list-style-type: none"> Ice storage bin is empty. Freezer temperature is set too warm. Household water line valve is not open. Freezer door is not closed. Ice dispensing arm has been held in for more than 4-5 minutes. 	<ul style="list-style-type: none"> When the first supply of ice is dropped into the bin, the dispenser should operate. Turn freezer control to a higher setting so that ice cubes will be made. When first supply of ice is made, dispenser should operate. Open household water line valve. Allow sufficient time for the ice to be made. When ice is made, the dispenser should operate. Ensure freezer door is closed. Motor is overloaded. Motor overload protector will reset in approximately 3 minutes. Ice can then be dispensed.
Ice dispenser is jammed.	<ul style="list-style-type: none"> Ice has melted and frozen around auger due to infrequent use, temperature fluctuations, and/or power outages. Ice cubes are jammed between Ice Maker arm and back of bin. Ice cubes are frozen together. Ice cubes are hollow or smaller than normal. 	<ul style="list-style-type: none"> Remove ice storage bin, thaw, and empty the contents. Clean bin, wipe dry, and replace in proper position. When new ice is made, dispenser should operate. Remove ice cubes that are jamming the dispenser. Use the dispenser often so that cubes do not freeze together. The <i>Kenmore</i> Ice & Water filter could be clogged. Replace the filter. Dispensing system operates best at 30-120 psi water pressure. Well water system pressures should fall within this range.
WATER DISPENSER		
Dispenser will not dispense water.	<ul style="list-style-type: none"> Household water line valve is not open. Freezer door is not closed. <i>Kenmore</i> Ice & Water filter is clogged. 	<ul style="list-style-type: none"> Open household water line valve. See PROBLEM section "Ice Maker is not making any ice." Ensure freezer door is closed. Replace filter.
Water has an odd taste and/or odor.	<ul style="list-style-type: none"> Water has been in the tank for a period of time. Unit not properly connected to cold water line. Tubing used in the household water supply and installation may affect water taste and odor. Water has high mineral content. 	<ul style="list-style-type: none"> Draw and discard 10-11 glasses of water to freshen the supply and completely rinse out the tank... Connect unit to cold water line that supplies water to the kitchen faucet. For best results, use copper tubing for water connection. Contact water treatment plant for help.
Water pressure is extremely low.	<ul style="list-style-type: none"> Cut-off and cut-on pressures are too low. (Well Systems Only) 	<ul style="list-style-type: none"> Have someone turn up the cut-off and cut-on pressure on the water pump system. (Well Systems Only)

PROBLEM	CAUSE	CORRECTION
ODORS IN REFRIGERATOR		
Interior is dirty.	<ul style="list-style-type: none"> • Interior needs to be cleaned. • Food with strong odor is in refrigerator. 	<ul style="list-style-type: none"> • See Section Care and Cleaning. • Cover food tightly.
OPENING/CLOSING OF DOORS/DRAWERS		
Door(s) will not close.	<ul style="list-style-type: none"> • Door is not designed to swing shut automatically. • Door was closed too hard, causing other door to open slightly. • Refrigerator is not level. It rocks on the floor when moved slightly. • Refrigerator is touching the wall or cabinet. 	<ul style="list-style-type: none"> • Close door securely. • Close both doors gently. • Ensure floor is level and solid, and can adequately support the refrigerator. Contact a carpenter to correct sagging or sloping floor. • Ensure floor is level, and can adequately support refrigerator. Contact carpenter to correct a sagging or sloping floor.
Drawers are difficult to move.	<ul style="list-style-type: none"> • Food is touching shelf on top of drawer. • Track that drawers slide on is dirty. 	<ul style="list-style-type: none"> • Keep less food in drawer. • Clean drawer, rollers, and track.
Light bulb is not on.	<ul style="list-style-type: none"> • Light bulb is burned out. • Light switch is stuck • No electric current is reaching refrigerator. 	<ul style="list-style-type: none"> • See "Replacing the Light Bulb" in Care and Cleaning. • Light switch is located on interior door frame next to temperature control in each compartment. Push in plunger to release. • See PROBLEM section RUNNING OF REFRIGERATOR.

NORMAL OPERATING SOUNDS

ENGLISH



* On models equipped with an Automatic Ice Maker.

SEARS SERVICE

"We Service What We Sell" is our assurance you can depend on Sears for service ...and Sears service is nationwide. Your refrigerator has added value when you consider that Sears has service units nationwide, staffed with professional technicians specifically trained on Sears appliances and having parts, tools and equipment to insure that we meet our pledge to you..."We Service What We Sell."

SEARS MAINTENANCE AGREEMENT

Maintain the value of your *Kenmore®* refrigerator with a Sears Maintenance Agreement. Sears refrigerators are designed, manufactured, and tested for years of dependable operation. Yet, any modern appliance may require service from time to time.

The Sears Maintenance Agreement

- Is your way to buy tomorrow's service at today's price.
- Eliminates repair bills resulting from normal use.
- Allows for as many service calls as required.
- Provides for service by professional Sears-trained technicians.
- Offers an annual preventive maintenance check-up at your request.

This maintenance agreement does not cover original installation, reinstallation, or damage resulting from external causes such as acts of God, abuse, theft, fire, flood, wind, lightning, freezing, power failure, power reduction, etc. Please ask a salesperson to see the agreement for all of the terms and conditions.

SEARS CANADA CUSTOMERS

Dear Customer:

In manufacturing this product, many steps have been taken to provide you with the highest quality. Unfortunately, errors or omissions occasionally occur. In the event you find a missing or defective part, please contact your nearest Sears store. (See the back cover for phone numbers.)

If you have any suggestions that would help us to improve our assembly/operation instructions or this product, please write them down, including the information listed below and mail to:

Sears Canada, Inc. Attn: Buyer Dept. 646
222 Jarvis Street
Toronto, Ontario
M5B 2B8

Purchased by:

Name: _____

Address: _____

City: _____ Prov.: _____

Postal Code: _____ Phone: _____

Model No.: 970. _____

Serial No.: _____

Date of Purchase ____/____/____

Location of Purchase _____

Comments: _____

ENGLISH

INDICE DE CONTENIDO

Registración del número de modelo y de serie ...	1
Seguridad	1-2
Garantía	2
Canadá - Garantía limitada	3
Para comenzar	4
Sugerencias para ahorro de energía	5
Ajuste del control de la temperatura	5
Almacenamiento de alimentos frescos	6
Distribuidor automático de hielo y agua	7-9
Teclado de pulsación	7
Filtro de hielo y agua	9
Cuidado y limpieza	10-11
Para sacar las manijas y las puertas	11-12
Lista de control de averías	13-17
Sonidos normales del funcionamiento	18
Servicio Sears	19
Cliente de Sears - Canadá	19
Notas	20

NÚMERO DE MODELA Y EL NÚMERO DE SERIE

LEA Y GUARDE ESTAS INSTRUCCIONES

Este Manual del Usuario contiene instrucciones específicas sobre el funcionamiento de este modelo. Se debe usar el refrigerador de acuerdo con las instrucciones contenidas en este Manual del Usuario. Las instrucciones que contiene este Manual del Usuario no cubren todas las condiciones y situaciones posibles que pudieran ocurrir. Siempre se debe usar el sentido común y la precaución al instalar, poner en funcionamiento y mantener cualquier aparato doméstico.

Registre el número de modelo y el número de serie

Registre el N° de Modelo y el N° de Serie en el espacio debajo. La placa del número de serie se encuentra en el techo del compartimiento del refrigerador.

N° de modelo: 253. _____

 o 970. _____

N° de serie: _____

Fecha de compra: _____

INSTRUCCIONES IMPORTANTES DE SEGURIDAD

LEA TODAS LAS INSTRUCCIONES ANTES DE USAR ESTE REFRIGERADOR.

ADVERTENCIA PARA SU SEGURIDAD

No almacene o use gasolina u otros líquidos o vapores inflamables en la proximidad de este o cualquier otro artefacto. Lea las etiquetas de los productos para informarse sobre la inflamabilidad y otras advertencias.

ADVERTENCIA SEGURIDAD DE LOS NIÑOS

- Destruya la caja de cartón, las bolsas de plástico y cualquier material de empaque exterior inmediatamente después de que el refrigerador sea desempacado. Los niños no deben usar estos artículos para jugar. Las cajas de cartón cubiertas con alfombras, colchas o pedazos de plástico pueden convertirse en cámaras sin aire y causar asfixia.
- Saque todas las grapas de la caja de cartón. Las grapas pueden causar cortes graves y dañar los acabados si tienen contacto con otros artefactos o muebles.
- Una nevera, refrigerador o congelador que estén vacíos y hayan sido descartados, es una atracción muy peligrosa para los niños.

Saque la puerta de cualquier artefacto que no esté en uso, si está siendo descartado.

ESPAÑOL

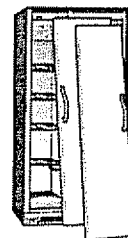
Proceso para disponer de su Refrigerador o Congelador

ADVERTENCIA

Riegos de entrapamiento de niños: Niños atrapados y sofocados no son un problema del pasado. Refrigeradores o congeladores abandonados siguen siendo un peligro un cuando sea "por unos cuantos días". Si usted está planeando en disponer de su refrigerador o congelador, por favor siga las instrucciones las cuales ayudarán a prevenir accidentes.

ANTES DE DESCARTAR SU REFRIGERADOR O CONGELADOR VIEJO:

- Remueva las puertas.
- Deje las Bandejas instaladas. Estas limitan el acceso a los niños dentro del refrigerador o congelador.



**ADVERTENCIA****INFORMACIÓN ELÉCTRICA**

Estas advertencias deben ser seguidas para asegurarse de que los mecanismos de seguridad de este refrigerador funcionen correctamente.

- El refrigerador debe ser enchufado en su propio tomacorriente de 115 voltios, 60 Hz, CA solamente. El cordón eléctrico del artefacto está equipado con un enchufe de puesta a tierra de tres clavijas para protección contra riesgos de choques eléctricos. Debe ser enchufado directamente en un tomacorriente de tres tomas debidamente puesto a tierra. El tomacorriente debe ser instalado de acuerdo con el Código Eléctrico Nacional y los códigos y reglamentos locales. **No use un cordón de extensión o un adaptador para el tomacorriente.**
- Si el voltaje varía en 10 por ciento o más, el rendimiento del refrigerador puede verse afectado. Si se hace funcionar el congelador con insuficiente energía se puede dañar el motor. Tal daño no está cubierto por la garantía. Si usted sospecha que el voltaje de su hogar es alto o bajo, consulte a su compañía de electricidad para que lo comprueben.
- Para evitar que el refrigerador sea apagado accidentalmente no lo enchufe en un tomacorriente controlado por un interruptor mural o una cuerda.
- No doble, anude o apriete el cordón eléctrico de ninguna manera.

OTRAS PRECAUCIONES

- Nunca desenchufe el refrigerador tirando del cordón eléctrico. Siempre sujete el enchufe firmemente y tire derecho hacia afuera del tomacorriente.
- Para evitar choque eléctrico, desenchufe el refrigerador antes de la limpieza o descongelación.

NOTA: Si gira el control a la posición OFF el compresor se apaga, pero no se desconecta la energía a los otros componentes eléctricos.

- No haga funcionar el refrigerador en la presencia de vapores explosivos.
- Si su refrigerador tiene una máquina automática de hacer hielo, evite contacto con las piezas móviles.

ADVERTENCIA

Evite los riesgos de incendios o choques eléctricos. No use un cordón de extensión o un adaptador para el tomacorriente. No saque ninguna espiga del enchufe del cordón eléctrico.

Tomacorriente
puesto a tierra



Cordón eléctrico puesto a tierra con enchufe de 3 espigas.

GARANTÍA DEL REFRIGERADOR**GARANTÍA COMPLETA DE UN AÑO PARA EL REFRIGERADOR**

Dentro de un año a partir de la fecha de compra, cuando este refrigerador sea operado y mantenido de acuerdo con las instrucciones provistas en el Manual del Usuario, Sears reparará este refrigerador, gratuitamente, si tiene defectos de material o mano de obra.

GARANTÍA COMPLETA DE CINCO AÑOS EN EL SISTEMA DE REFRIGERACIÓN SELLADO

Durante cinco años a partir de la fecha de compra, cuando este refrigerador sea operado y mantenido de acuerdo con las instrucciones indicadas en el Manual del Usuario, Sears reparará el sistema sellado (que se compone del refrigerante, tubería de conexión y motor del compresor), gratuitamente, si tiene defectos de material o mano de obra.

La garantía antes mencionada se aplica solamente a los refrigeradores que son usados para conservación de alimentos en hogares privados.

GARANTÍA COMPLETA POR 30 DÍAS SOBRE EL CARTUCHO DE FILTRACIÓN DE AGUA DEL REFRIGERADOR KENMORE. Si el cartucho de filtración de agua del refrigerador Kenmore falla debido a un defecto en los materiales o en la mano de obra dentro de los 30 días a partir de la fecha de compra, DEVUÉLVALO A LA TIENDA SEARS MÁS CERCANA A USTED EN LOS ESTADOS UNIDOS y Sears lo reemplazará sin costo alguno.

Esta garantía le otorga derechos específicos y también puede tener otros que varían de estado en estado.

Contacte el Centro De Servicio sears en los Estados Unidos mas proximo a usted para cualquier servicio de garantía. Refiera la ultima pagina de este manual.

Para información sobre garantías, por favor contacte la siguiente dirección.

Sears, Roebuck and Co.
Dept. 817WA
Hoffman Estates, IL 60179

CANADÁ — GARANTÍA LIMITADA



Refrigeradores

Sears Canadá Inc., garantiza que cada refrigerador *Kenmore* nuevo sea libre de defectos de material o fabricación. Sears hará lo siguiente, gratuito, en el caso un defecto:

¿Que incluye?	¿Durante cuánto tiempo se garantiza? (Desde la fecha de compra)	Partes: A la opción de Sears, reparar o reemplazar una parte por:	Mano de obra: Instalar la parte reparada o la parte de reemplazo por:
El compresor	DIEZ (10) AÑOS	DIEZ (10) AÑOS	CINCO (5) AÑOS
El sistema sellado (consistiendo del refrigerante, evaporador, y condensador)	CINCO (5) AÑOS	CINCO (5) AÑOS	CINCO (5) AÑOS
Todas las otras partes y ajustos	UN (1) AÑO	UN (1) AÑO	UN (1) AÑO

ESPAÑOL

Responsabilidades Normales del Cliente

Las cosas siguientes, como no son defectos de fabricación, no son incluidas en la garantía, sino son la responsabilidad del cliente:

- 1) Daños al acabamiento después de la entrega.
- 2) Fuente de energía inadecuada, voltaje inadecuado, o cualquier defectos del sistema eléctrico de la casa o el aparato no conectado a un tomacorriente.
- 3) Reemplazo de ampollitas.
- 4) Daños causados por mover el aparato de su sitio de instalación original.
- 5) Servicio requerido como resultado de alteración, abuso, incendio, inundada, o desastres naturales.
- 6) Asegurarse de que circulación de aire adecuada sea disponible al sistema de refrigeración.
- 7) Cuidad y uso apropiados del artefacto, como se detalla en el Manual del Usuario; colocación de los controles apropiada.

Si se requiere algún servicio bajo ésta garantía, sencillamente llame al **1-877-LE-FOYERSM** (1-877-533-6937).

Esta garantía es establecida en adición a cualquier garantía estatuida. La garantía arriba cubre los refrigeradores *Kenmore* vendidos y operados en el Canadá único y no aplica sí el refrigerador se usa para propósitos no domésticos.

Convenio de Mantenimiento Sears

Mantenga el valor de su refrigerador *Kenmore* con un Convenio de Mantenimiento Sears.

SEARS CANADA INC. • Toronto, Canada • M5B 2B8

PARA COMENZAR

Este Manual del Usuario contiene instrucciones de funcionamiento generales para su refrigerador. **Antes de poner marcha el refrigerador, siga estas importantes indicaciones.**

UBICACIÓN

- Seleccione un lugar que esté cerca de un tomacorriente eléctrico puesto a tierra. **No** use un cordón de extensión o un adaptador de enchufe.
- Si es posible, coloque el refrigerador fuera de la luz directa del sol y alejado de la estufa, lavadora de platos u otras fuentes de calor.
- El refrigerador debe ser instalado en un piso que esté nivelado y lo suficientemente firme como para soportar un refrigerador totalmente lleno.
- Tome en cuenta la disponibilidad de suministro de agua para la máquina de hacer hielo automática.

INSTALACIÓN

- No instale el refrigerador donde la temperatura descenderá a menos de 60°F (15°C) o se elevará a más de 110°F (43°C). El compresor no podrá mantener las temperaturas correctas.
- Cuando se instala encastrado, deje 1/2 pulgada (10-15 mm) más a cada lado para facilitar la instalación.
- Si el lado de las bisagras del refrigerador va a ser colocado contra una pared, deje un espacio de 1- 3/4 pulgadas (44 mm) entre la pared y el refrigerador para permitir que la puerta pueda ser abierta bien.

ABERTURA DE LA PUERTA

Las puertas deben tener fácil acceso una mesa cuando se está sacando alimento.

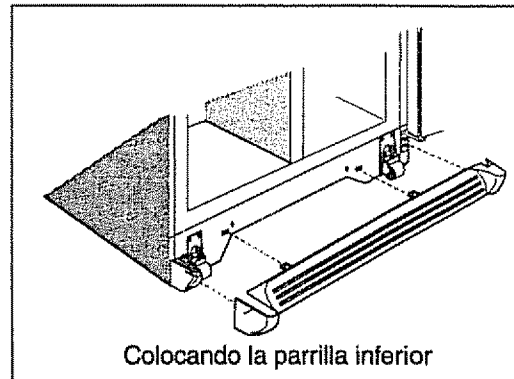
- No coloque el refrigerador de modo que usted tiene que caminar alrededor de las puertas del refrigerador.
- Invierta las puertas si es necesario. Ver "Instrucciones para Cambiar la Puerta al Otro Lado".

NIVELACIÓN

- El refrigerador debe estar nivelado, con las esquinas inferiores descansando firmemente sobre piso firme. ajuste los rodillos delanteros para nivelar el gabinete tanto desde la parte delantera hacia atrás como de lado a lado. Mantenga el gabinete tan bajo como sea posible para mayor estabilidad. **Nunca ajuste los rodillos del gabinete de modo que la parte delantera quede más baja que la trasera.**
- **Para ajustar los rodillos delanteros:** Abra la puerta del refrigerador y del congelador. Saque la parrilla inferior tirándola derecho hacia afuera. Ajuste los rodillos girando el perno de ajuste de cada rodillo con

una llave inglesa, una llave de tubo o una llave de tuerca hasta que el refrigerador esté nivelado y estable. Los rodillos traseros no son ajustables.

- Revise ambas puertas para asegurarse de que las juntas tocan el gabinete uniformemente en los cuatro lados.
- Si la puerta del congelador es más alta que la puerta del refrigerador, levante la esquina derecha y o baje la esquina izquierda hasta que las puertas queden alineadas a través de la parte superior del gabinete.
- Si la puerta del refrigerador es más alta que la puerta del congelador, levante la esquina derecha y o baje la esquina izquierda hasta que las puertas queden alineadas a través de la parte superior del gabinete.



- **Para volver a colocar la parrilla inferior:** Alinee las lenguetas con los agujeros y empuje la parrilla derecho hacia adentro.

LIMPIEZA

- Lave el interior, todas las piezas removibles y el exterior con un detergente suave y agua tibia. Seque bien. **No use limpiadores abrasivos en estas superficies.**
- No use hojas de afeitar ni otros instrumentos afilados para sacar las etiquetas adhesivas pues puede rayar la superficie del artefacto. Cualquier resto de goma de las etiquetas o de la etiqueta sobre energía puede ser sacado con una mezcla de agua tibia y detergente suave o despegar el residuo con el lado adhesivo de la etiqueta que ya ha sido sacada.
- **No saque la placa con el número de serie.**

SUGERENCIAS PARA AHORRA DE ENERGIA



- Ubique el refrigerador en la parte más fría de la habitación, alejado de la luz directa del sol y de los conductos o registros de la calefacción. No coloque el refrigerador cerca de artefactos que produzcan calor tales como la estufa, horno o lavadora de platos. Si ésto no es posible, coloque una capa de aislamiento entre los dos artefactos para ayudar a que el refrigerador funcione más eficientemente.
- Nivele el refrigerador de modo que las puertas cierren herméticamente.
- Consulte este Manual del Usuario para los ajustes sugeridos para el refrigerador.
- La limpieza periódica del condensador ayudará a que el refrigerador funcione más eficientemente. Ver Limpieza Exterior en la sección "Cuidado y Limpieza".
- No coloque demasiados artículos en el refrigerador ni bloquee los respiraderos del aire frío. Si lo hace, el refrigerador debe funcionar por períodos más prolongados y usa más energía. Las parrillas no deben forrarse con papel de aluminio, papel de cera ni toallas de papel. Los forros interfieren con la circulación del aire frío, afectando la eficacia del refrigerador lo cual puede ocasionar descomposición de los alimentos.
- Cubra los alimentos y seque los envases antes de colocarlos en el refrigerador. Esto reduce la acumulación de humedad dentro del artefacto.
- Organice el refrigerador a fin de reducir la apertura frecuente de la puerta. Saque tantos artículos como necesite de una sola vez y cierre la puerta tan pronto como sea posible.

AJUSTE DEL CONTROL DE LA TEMPERATURA

PERIODO DE ENFRIAMIENTO

Para asegurar la conservación de los alimentos, deje que el refrigerador funcione con la puerta cerrada por lo menos de 8 a 12 horas antes de colocar los alimentos.

CONTROL DEL REFRIGERADOR

- Coloque el control del refrigerador en el punto medio para un período de prueba de 24 horas.
- Después de las 24 horas, ajuste el control como sea necesario. Para temperaturas más frías, gire el indicador hacia **COLDEST (MAS FRIO)**. Para temperaturas más tibias, gire el indicador hacia **COLD (FRIO)**. Ajuste las temperaturas de un incremento cada vez.

CONTROL DEL CONGELADOR

- Coloque el control del congelador en el punto medio para un período de prueba de 24 horas.
- Después de las 24 horas, ajuste el control como sea necesario. Para temperaturas más frías, gire el control un lugar hacia **COLDEST**. Para temperaturas más tibias, gire el indicador un lugar hacia **COLD**. Ajuste la temperatura de un incremento cada vez.

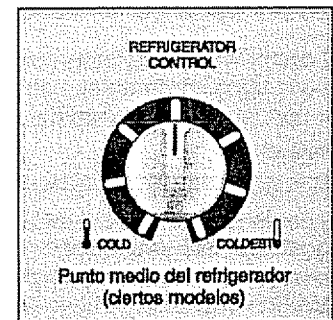
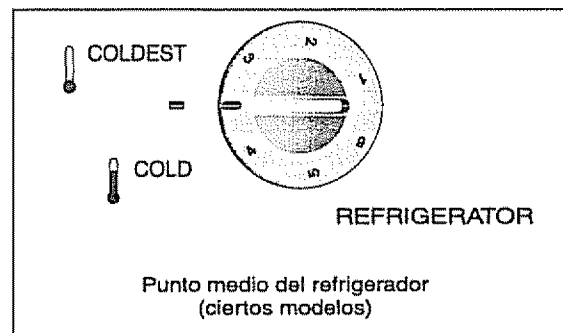
Nota: Cuando esté colocando los controles por primera vez o cuando esté cambiando un ajuste, espere 24 horas para que la temperatura se estabilice antes de hacer cambios adicionales.

Al girar el control del congelador puede cambiar las temperaturas en ambos compartimientos. Por ejemplo, si el control del congelador es colocado en un ajuste más frío, el control del refrigerador debe ser ajustado a uno más caliente. Al girar el control del refrigerador cambiará solamente la temperatura del refrigerador.

IMPORTANTE: Si el control del congelador se coloca en la posición "OFF" (APAGADO), se detiene el enfriamiento en ambos compartimientos.

Usted puede oír cuando el sistema de "Frost Free" (Descongelación Automática) está trabajando. Un ventilador circula el aire en el compartimiento del refrigerador y congelador. Para una buena circulación y mantenimiento de temperaturas de enfriamiento apropiadas, no obstruya los respiraderos de aire frío con alimentos. El agua que cae a la bandeja de descongelación y los sonidos de silbido son normales durante el ciclo de "Frost Free" (Descongelación Automática).

ESPAÑOL

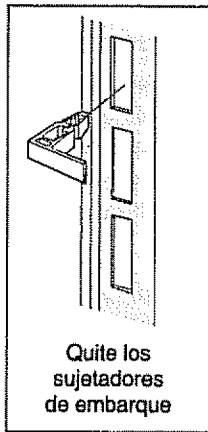


ALMACENAMIENTO DE ALIMENTOS FRESCOS

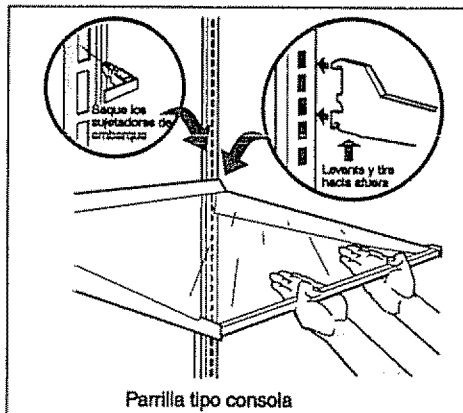
AJUSTE DE LAS PARRILLAS

Las parrillas del refrigerador pueden ser fácilmente ajustables de acuerdo a las necesidades individuales. Antes de ajustar las parrillas, saque todos los alimentos. Los sujetadores de embarque estabilizan las parrillas durante el transporte pueden ser sacados y descartados

Para ajustar las parrillas tipo consolas, (las parrillas que están apoyadas solo en la parte trasera del refrigerador), levante la parte trasera de la parrilla hacia arriba y hacia afuera. Vuelva a colocar la parrilla insertando los ganchos en las ranuras traseras. Haga descender y bloquee en su posición.



Las parrillas de vidrio *Spillproof* reciben y sostienen los derrames accidentales. En algunos modelos las parrillas *Spillproof* se deslizan hacia afuera para facilitar el acceso a los alimentos y la limpieza rápida. Las parrillas se deslizan hacia afuera independientemente del soporte. Simplemente tire la parte delantera de la parrilla hacia adelante. La parrilla puede extenderse hasta el tope provisto y no puede ser sacada del soporte.



ALMACENAMIENTO EN LA PUERTA

Los compartimientos en el lado interior de la puerta permiten almacenamiento conveniente de frascos, botellas y latas. Los artículos de uso frecuente están disponibles para una selección rápida.

Los compartimientos de las puertas pueden ser movidos para adaptarse a las necesidades individuales. Saque los compartimientos levantándolos derecho hacia arriba. Coloque los compartimientos en la posición deseada y hágalos descender en los soportes.

El compartimiento para los productos lácteos es más tibio que la sección de alimentos generales y está destinado al almacenamiento a corto plazo del queso, mermeladas o mantequilla.

COMPARTIMIENTO PARA LAS VERDURAS

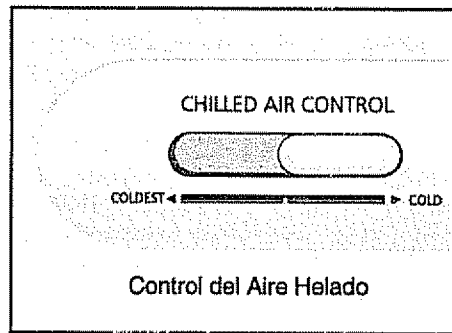
El compartimiento para las verduras, situado debajo de la parrilla inferior del refrigerador está diseñado para la conservación de frutas, verduras y otros productos frescos. Lave los artículos en agua limpia y saque el exceso de agua antes de colocarlos en el compartimiento. Los artículos con olores fuertes o mucha humedad deben ser envueltos antes de ser guardados.

BANDEJA PARA LA CARNE

La Bandeja para la Carne está situada en la parte inferior del refrigerador. La temperatura en este compartimiento puede ser más fría que en el resto del compartimiento del refrigerador deslizando el botón "Chilled Air Control" (Control del Aire Helado) dentro de los límites "COLDEST" (MAS FRIO) o "COLD" (FRIO). La carne estará parcialmente congelada y puede ser mantenida fresca por más tiempo que cuando es guardada en una parrilla del refrigerador.

Antes de colocar los artículos en la Bandeja para la Carne, siga estos pasos para mantener la carne fresca:

1. Manipule cuidadosamente la carne con las manos limpias y mantenga siempre el compartimiento limpio.
2. Guarde la carne en su empaque original. Si es necesario, vuelva a envolver en plástico o aluminio para prevenir que se reseque. Envuelva el pescado firmemente para evitar transferencia de olor a otros alimentos.
3. Si algo se echa a perder, desinfecte el compartimiento con blanqueador de cloro líquido siguiendo las instrucciones de la etiqueta. Luego enjuague con una solución de agua y bicarbonato. Enjuague con agua limpia y seque.

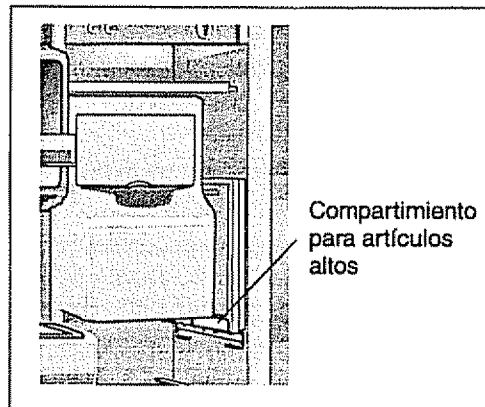


CESTA DEL CONGELADOR

Una cesta deslizable (algunos modelos tienen dos) cuelga bajo la parte inferior de la parrilla del congelador. Esta cesta provee fácil acceso a los paquetes de alimentos congelados.

COMPARTIMIENTO PARA ARTÍCULOS ALTOS (ALGUNOS MODELOS)

Hay un estante fijado a la pared del congelador, debajo del distribuidor de hielo. Es un lugar donde almacenar artículos altos verticalmente entre el distribuidor de hielo y la pared del congelador.



DISTRIBUIDOR AUTOMÁTICO DE HIELO Y AGUA

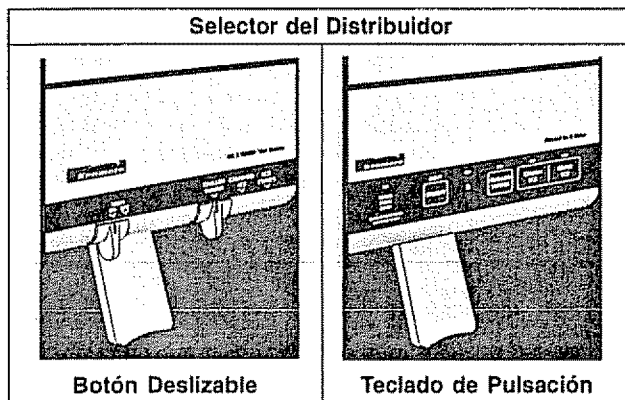
El distribuidor de hielo y agua situado en la puerta del congelador produce convenientemente agua helada, hielo molido y cubos de hielo. Esta bandeja de desagüe es removible y adecuada para máquinas lavaplatos.

Asegúrese de sujetar el vaso tan arriba como sea posible para recibir el hielo. Para detener la salida del hielo, retire el vaso de la palanca. Cuando esté sacando hielo, suelte el brazo antes de que el vaso esté lleno pero no retire el vaso hasta que el hielo no haya dejado completamente de caer. Para determinar la aspereza del hielo molido, seleccione un ajuste en el Selector del Hielo Molido, situado dentro del congelador en la tapa delantera del depósito donde se conserva el hielo. (Instrucciones completas para la operación del dispensador se adjuntan al interior de la puerta del congelador.)

Una pequeña área caliente debajo de la placa inferior del distribuidor atrapa y evapora los derrames pequeños. Esta bandeja de desagüe es removible y adecuada para máquinas lavaplatos. **No vacíe agua o cubos de hielo en esta área** porque no tiene drenaje.

LUZ

El dispensador tiene una luz que puede ser apagada y encendida deslizando el botón a la posición deseada o presionando en el teclado "Luz APAGADO / ENCENDIDO". La luz también se enciende automáticamente cuando el hielo y/o el agua está siendo sacada. Reemplace la ampolla con una nueva de la misma potencia.



FUNCIONAMIENTO DEL DISTRIBUIDOR DE AGUA

El depósito del agua está colocado detrás de los compartimientos en el refrigerador. A medida que el agua es sacada, el depósito se va llenando automáticamente. Para que el distribuidor funcione de manera correcta, la presión del agua debe ser entre 30 lbs/pulg.² y 120 lbs/pulg.².

Después de que el refrigerador es instalado y se hacen las conexiones de las tuberías, el depósito del agua debe ser llenado sacando un vaso de agua. **Puede demorar aproximadamente 1-1/2 minuto** después de haber apoyado la palanca del distribuidor antes de que el agua comience a circular por las tuberías y comience a llenar su primer vaso. Saque y descarte 7 vasos más para asegurarse de que el depósito y las tuberías están limpias de todas impurezas. Para desactivar la característica de seguro electrónico, repita el procedimiento anterior hasta que la luz roja se apague. Su sistema dispensador de hielo y agua está listo de nuevo para el uso normal.

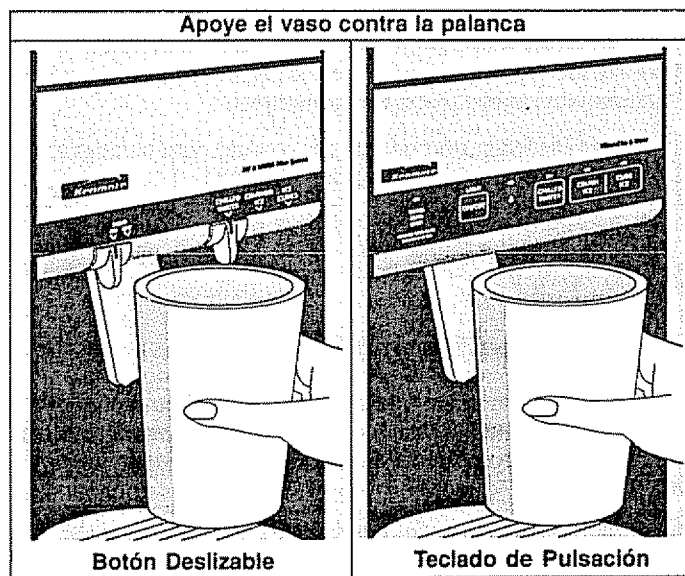
Para asegurar agua de gusto fresco, use el distribuidor todos los días. Si el distribuidor no se usa durante una semana o más, saque y descarte de 7 a 8 vasos para refrescar el agua del depósito.

FUNCIONAMIENTO DEL DISTRIBUIDOR DE HIELO

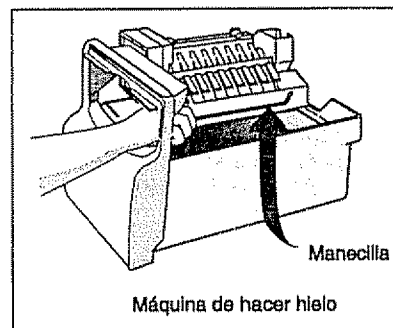
La máquina para hacer hielo y el depósito del hielo, están ubicados en la esquina izquierda superior del compartimiento del congelador. Después de que el refrigerador esté instalado en forma correcta y se haya enfriado durante varias horas, la máquina para hacer hielo puede comenzar a fabricarlo. Para comenzar la producción de hielo, baje la manecilla de alambre a la posición hacia abajo, en funcionamiento. A medida que se hacen los cubos de hielo ellos son guardados en el depósito. Sin utilización, faltan dos días para llenar el depósito. Sin embargo, el distribuidor puede ser usado después de la primera carga de hielo. La máquina de hacer hielo se apaga automáticamente cuando el depósito se llena de hielo.

Debido a que las conexiones de las tuberías son nuevas, la primera producción de cubos de hielo puede tener mal olor y ser descolorada. Estos primeros lotes deben ser descartados hasta que los cubos tengan buen gusto y no presenten descoloración.

PRECAUCIÓN La calidad del agua determina la calidad del hielo. Es mejor conectar la máquina de hacer hielo a agua no acondicionada (suavizada). Los químicos de un acondicionador de agua que funciona mal pueden dañar la máquina de hacer hielo. Si la máquina de hacer hielo se conecta a agua acondicionada, asegúrese de que el acondicionador de agua se mantenga y que funcione adecuadamente.



Para apagar la máquina de hacer hielo, levante la manecilla de alambre a la posición hacia arriba, o apagada.



**CARACTERÍSTICA LOCKOUT (BLOQUEO)
(SÓLO LOS MODELOS CON ALMOHADILLA TÁCTIL)**

Se puede bloquear el sistema dispensador de agua y hielo para evitar el uso no deseado. Para bloquearlo, presione la imagen del candado entre 3 y 5 segundos. Cuando el sistema está bloqueado, aparece una luz roja pequeña sobre el candado. Para desbloquear el sistema, presione el candado entre 3 y 5 segundos hasta que se apague la luz roja pequeña. El dispensador de agua y hielo ahora está listo para el uso.

SUGERENCIAS PARA EL DISTRIBUIDOR DE CUBOS DE HIELO:

1. Los cubos de hielo que quedan mucho tiempo guardados pueden desarrollar un sabor extraño. Vacíe el depósito y colóquelo nuevamente en su lugar. La máquina de hacer hielo producirá entonces más hielo.
2. Agite periódicamente el depósito para mantener los cubos del hielo separados.
3. Si la palanca se empuja por más de cuatro minutos, el motor del distribuidor puede sobrecargarse y detenerse. El protector de sobrecarga se reposicionará automáticamente después de 3 o 4 minutos. Si se necesita una gran cantidad de hielo de una sola vez, lo mejor es sacar los cubos directamente del depósito del hielo.
4. Ciertos sonidos son normales cuando la máquina de hacer hielo está funcionando. Ellos son:
 - El funcionamiento del motor
 - El hielo que se está desprendiendo de la bandeja
 - El hielo al caer al depósito
 - El agua que corre
 - Cierre y apertura de la válvula del agua

Para mayor información sobre estas operaciones vea "Sonidos Normales de Funcionamiento."
5. Apague la máquina de hacer hielo cuando esté limpiando el congelador o durante vacaciones largas.
6. Si la máquina de hacer hielo va a ser apagada por un período de tiempo largo, gire la válvula del agua a la posición cerrada.

LIMPIEZA DEL DISTRIBUIDOR DE HIELO

Limpie el distribuidor de hielo y el depósito del almacenamiento del hielo a intervalos regulares, particularmente antes de tomar unas vacaciones o de una mudanza o cuando el distribuidor del hielo se atasca.

1. Detenga la producción de hielo levantando la manecilla de alambre la posición "up" u "OFF" (Apagado).
2. Saque el depósito de almacenamiento del hielo levantándolo hacia arriba y hacia afuera. Baje y limpie cuidadosamente el depósito con un detergente suave. No sumerja el depósito cuando lo esté limpiando. Enjuague con agua limpia. No use limpiadores ásperos o abrasivos. Deje que el depósito del hielo se seque completamente antes de volver a colocarlo en el congelador.
3. Saque los pedazos de hielo y limpie la parrilla y el conducto de salida que sostiene al depósito de almacenamiento del hielo.

4. Vuelva a colocar el depósito del hielo. Baje la manecilla de alambre de la máquina de hacer hielo a la posición "down" u "ON" y la máquina de hacer hielo resumirá la producción.

IMPORTANTE: Cuando saque o reemplace el depósito del hielo no gire el tornillo sin fin en el depósito del hielo. Si el tornillo sin fin es accidentalmente girado usted debe realinearlo girándolo 90° hasta que el depósito del hielo encaje en el mecanismo motriz. Para mayores instrucciones, vea la etiqueta en el depósito del hielo.

SAQUE Y VACIE EL DEPÓSITO DEL HIELO SI:

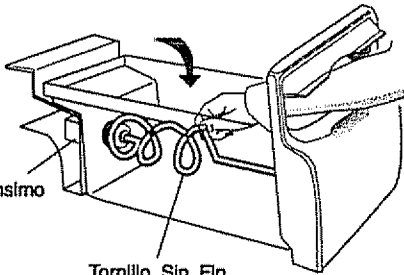
1. Una falla prolongada de la energía eléctrica (una hora o más) hace que los cubos de hielo en el depósito se derritan y congelen juntos obstruyendo el mecanismo del distribuidor.
2. El distribuidor de hielo no es usado frecuentemente. Los cubos de hielo se congelarán juntos en el depósito y obstruirán el mecanismo del distribuidor. Saque el depósito del hielo y sacúdalo para separar los cubos.

NUNCA use un picador de hielo o un instrumento afilado similar para quebrar el hielo. Eso puede dañar el depósito del hielo y el mecanismo del distribuidor.

⚠ ADVERTENCIA No use el conducto de salida del hielo como una manija cuando saque o vuelva a colocar el depósito del hielo. Las superficies pueden estar muy afiladas.



No coloque sus dedos hacia arriba del conducto de salida del hielo. Las superficies pueden estar muy afiladas.



Mecanismo Motriz
Tornillo Sin Fin
Reposición del Tornillo Sin Fin

FILTRO DE HIELO Y AGUA *KENMORE* (ALGUNOS MODELOS)

NOTA: Si usted compró un refrigerador con un filtro de hielo y agua Kenmore, lea la información de utilización y mantenimiento a continuación.

Este sistema de filtración de hielo y agua filtra el agua de su máquina de hacer hielo y del distribuidor de agua. Está ubicado en el rincón posterior derecho y superior del compartamento de alimentos frescos (véase la figura 1 en la siguiente página).

PARA COMENZAR EL SISTEMA:

El suministro de agua no necesita ser apagado, sin embargo no utilice el dispensador de hielo y agua mientras instala el filtro. Diríjase a la figura 1 al completar éstas instrucciones. El cartucho del filtro ya ha sido instalado en la carcaza por la fábrica. Diríjase a la sección "Como Funciona el Dispensador" para llenar el sistema de agua apropiadamente.

PARA CAMBIAR EL FILTRO:

La calidad de agua varía por todo el mundo. Para asegurar la mejor calidad de agua posible, cambie el filtro de agua cada seis meses, o 200 galóns. También, si el filtro está en un refrigerador que no ha estado en uso por algún tiempo (durante una mudanza por ejemplo), cambie el filtro antes de reinstalar el refrigerador. Anote que el sistema del distribuidor operará también sin filtración (con el filtro quitado).

PARA CAMBIAR EL FILTRO:

Consulte la Figura 1 como sea necesario. No es necesario cerrar el suministro de agua para cambiar el filtro.

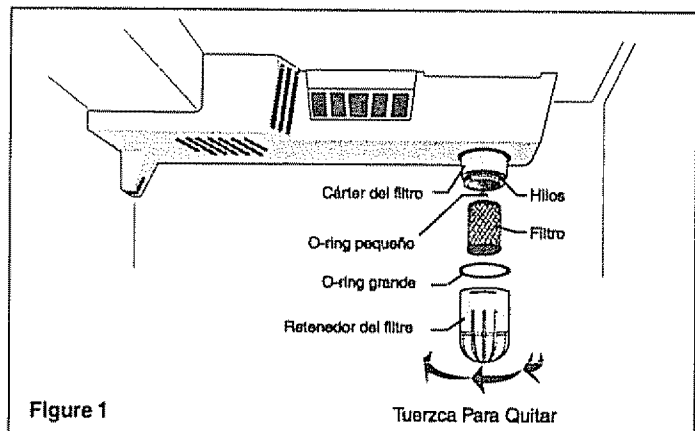
1. Coloque la manecilla de la máquina de hacer hielo a la posición apagada (OFF).
2. Retenga el retenedor del filtro firmemente, y desatornillelo a la izquierda (Figura 1). (Un poco de agua podría escapar mientras se quita el retenedor. Esto es normal.) El cartucho del filtro debe bajar con copa. Si no se desase, tírelo suavemente mientras se tuerce de aquí para allá.
3. Vacíe el retenedor de cualquier sustancia.
4. El retenedor circular (figura 1) que sella el sistema del filtro sienta en la ranura dentro de la copa. En caso de que el retenedor circular se caiga en el cambio del filtro de cartucho, simplemente vuélvalo a colocar en la ranura antes de atornillar la copa de nuevo en su sitio. Si se daña el retenedor circular, encontrará uno nuevo en el juego de reposición del filtro.
5. Deseche el viejo filtro.
6. Quite el nuevo filtro del empaque, e instálelo.
7. Ponga el filtro en el retenedor. El extremo con el O-ring pequeño debe estar para arriba fuera del retenedor.
8. Atornille el retenedor con el filtro hasta que se encajille en el cárter. No utilice la llave para reinstalar el filtro. El filtro se alinea según se atornilla el retenedor. Asegúrese de atornillar el retenedor completamente hasta que la marca *Kenmore* se encare hacia el frente. **NO TUERZCA MAS ALLA DE LA PARADA DEFINITIVA.**
9. Coloque la manecilla de la máquina de hacer hielo a la posición encendida (on).

10. Verifique que no haya fugas. Abra la puerta del refrigerador. Si hay gotitas de agua en el retenedor del filtro, enjuáguelas. Dispense un vaso de agua. Si hay una fuga, destornille el retenedor del filtro, y vuelva a introducir el filtro. Revise la colocación del O-ring grande (véase Figure 1). Reinstale el retenedor del filtro, asegurándose que esté apretado completamente.

11. Para acondicionar el sistema de filtración y eliminar aire en el sistema, dispense varios vasos de agua del distribuidor de agua. Esto también asegura que el agua más limpia posible se almacene en el tanque.

RESTABLECIMIENTO DEL INDICADOR DE FILTRO

El indicador "Change Filter" (Cambiar filtro) se iluminará cada vez que se utilice el dispensador. Mientras el filtro funcione dentro de su ciclo de duración especificado, la luz indicadora del filtro estará verde. Cuando el filtro llegue al 80% de su duración de funcionamiento, la luz cambiará de verde a ámbar. Se recomienda que compre el cartucho del filtro de reemplazo cuando esto suceda. Cuando el filtro llegue al 100%, la luz ámbar cambiará a rojo. Deberá cambiar el filtro lo antes posible cuando esto suceda. Después de cambiar el filtro, presione las palabras que dicen "Filter Light Reset" (Restablecer la luz del filtro). Si la luz estaba roja o ámbar, deberá presionar entre 3 y 5 segundos para restablecer la luz verde (la luz verde parpadeará cuando termine el restablecimiento). Si la luz todavía estaba verde al realizar el cambio, deberá presionar por 10 a 12 segundos para restablecerla (de nuevo, la luz verde parpadeará cuando termine el restablecimiento).



Puede obtener los nuevos cartuchos del filtro en la tienda Sears local o poniéndose en contacto con el Centro de Servicio Técnico de Sears al:

1-800-366-7278 (Estados Unidos & Canadá)

Es recomendable ordenar algunos filtros al instalar su refrigerador. Asegúrese de pedir el RC-200 cartucho de repuesto de *Kenmore* (Número de la pieza de repuesto 9066)

El sistema *Kenmore* RF - 200 de agua y hielo está probado y certificado por la NSF Internacional, la nacionalmente reconocida y respetada organización de certificación sin ánimo de lucro, para la seguridad de la salud pública. El sistema *Kenmore* está probado y certificado a las normas ANSI/NSF 42 y 53. Ver la hoja de rendimiento para reclamos específicos. Este sistema no debe ser usado en agua que sea microbiológicamente insegura o con agua de calidad desconocida, a no ser que el agua haya sido adecuadamente desinfectada antes o después de pasar por el sistema de filtración.

Capacidad de caudal de servicio- 0.37GPM
Máxima Capacidad de Presión-125 PSI
Máxima Temperatura de Operación-100°



CUIDADO Y LIMPIEZA

Mantenga su refrigerador y congelador limpios para evitar la formación de malos olores. Limpie cualquier derrame inmediatamente y limpie ambos compartimientos por lo menos dos veces al año. **Nunca** use esponjas metálicas, escobillas, limpiadores abrasivos o soluciones alcalinas fuertes en ninguna superficie del refrigerador. **No** lave las piezas removibles en una lavadora de platos.

Siempre desenchufe el cordón eléctrico del tomacorriente antes de la limpieza.

NOTA: Al girar el control a la posición OFF (APAGADO), no se desconecta la corriente eléctrica a los controles, a la ampolleta ni a otros componentes eléctricos.

PRECAUCION Los objetos mojados se adhieren a las superficies metálicas frías. No toque las superficies metálicas con las manos mojadas o húmedas.

LIMPIEZA DEL INTERIOR

Lave las superficies interiores del refrigerador y congelador con una solución de 2 cucharadas de sopa de bicarbonato de soda en 1 cuarto de galón de agua tibia. Enjuague y seque bien. *Asegúrese de estrujar el exceso de agua de la esponja o paño antes de limpiar alrededor de los controles, de la ampolleta o de las piezas eléctricas.*

Lave las piezas removibles tales como parrillas y compartimientos con una solución de bicarbonato de soda o detergente suave y agua tibia. **No use limpiadores abrasivos en estas superficies.** Enjuague y seque bien. Limpie el empaque de la puerta con detergente suave y enjuague con agua clara y seque. No use hojas de afeitar ni otros instrumentos afilados para sacar las etiquetas adhesivas pues pueden rayar la superficie del artefacto. Cualquier resto de goma de las etiquetas o de la etiqueta sobre energía puede ser sacado con una mezcla de agua tibia y detergente suave o levantar el residuo con el lado adhesivo de la etiqueta que ya ha sido sacada. **No saque la placa con el número de serie.**

PRECAUCION Para evitar daño y ayudar al refrigerador a funcionar tan eficientemente como sea posible, limpie el condensador periódicamente.

LIMPIEZA DEL EXTERIOR

Lave el gabinete y las manijas con agua tibia y detergente líquido suave. Enjuague bien y seque con un paño limpio y suave. No use limpiadores domésticos comerciales, amoníaco o alcohol para limpiar las manijas.

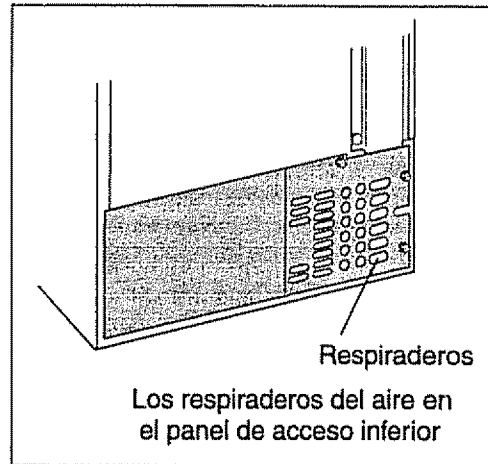
Limpie la parte delantera y las manijas de acero inoxidable (algunos modelos) con agua caliente jabonosa y un albero. Enjuague usando agua limpia y un paño suave. Limpie manchas duras con una toalla de papel y amoníaco, y enjuague. Limpiadores fabricados especialmente para el acero inoxidable, como Sheila Shine, una marca de Sheila Shine, Inc., Stainless Steel Magic, una marca de Magic

American Corp., o productos semejantes, son recomendables. Siempre sigue las instrucciones del fabricante. Limpie lo demás del gabinete con agua tibia y un detergente suave. Enjuague bien, y seque con un paño suave.

Saque el polvo o la suciedad de la parte delantera de la rejilla inferior usando una aspiradora con el accesorio para limpiar el polvo. Saque la rejilla inferior tirándola derecho hacia afuera. Cuando haya sacado la rejilla, aspire la parte posterior de la rejilla y límpiela con un paño o esponja con agua y jabón. Periódicamente limpie el condensador (tubos negros y alambres bajo el refrigerador, detrás de la parrilla inferior). No permita que se acumulen pelusas o polvo en los serpentines. Inserte una escobilla de mango largo o el accesorio de una aspiradora entre los dos serpentines para traer las pelusas hacia adelante. Para volver a colocar la rejilla inferior, alinee las lengüetas con los agujeros y empuje la rejilla derecho hacia adentro. **PRECAUCION**

Tenga cuidado cuando limpie el área de los serpentines. Puede haber superficies afiladas.

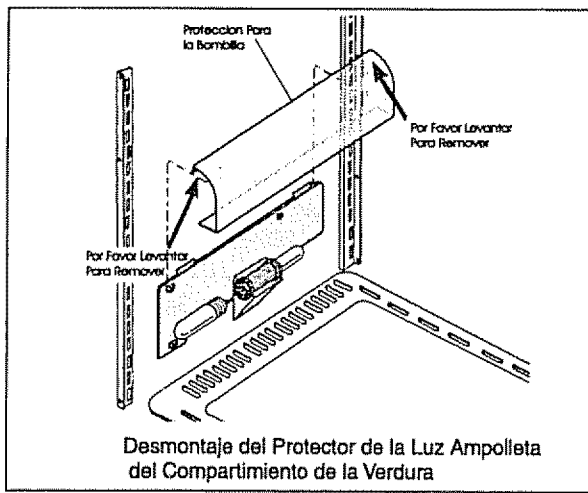
Los respiraderos del aire en el panel de acceso inferior en la parte trasera del refrigerador deben ser limpiados periódicamente. Limpie los respiraderos usando una aspiradora con su accesorio para sacar el polvo. Cuando mueva el refrigerador, tírelo derecho hacia afuera. No mueva el refrigerador de lado a lado pues esto puede destrozar o romper el revestimiento del piso. Tenga cuidado de no mover el refrigerador más allá del largo de las conexiones.



PARA CAMBIAR LA AMPOLLETA

Para cambiar la ampolleta:

1. Desenchufe el refrigerador.
2. Use guantes como protección contra posibles vidrios rotos.
3. Reemplace la ampolleta antigua con una de la misma potencia.
4. Recuerde enchufar nuevamente el refrigerador.



SUGERENCIAS PARA LAS VACACIONES Y MUDANZAS

Vacaciones cortas: Deje el refrigerador funcionando durante las vacaciones de 1 a 3 semanas. Antes de partir, use todos los artículos que pueden descomponerse del compartimiento del refrigerador. Envuelva y guarde los otros artículos en el congelador. Si el refrigerador tiene una máquina automática para hacer hielo, apáguela.

Vacaciones largas: Saque todos los alimentos y el hielo si va salir por un mes o más. Gire el control a la posición OFF y desenchufe el refrigerador. Si el refrigerador tiene una máquina automática de hacer hielo, apague la máquina y gire la válvula del agua a la posición cerrada. Descongele y limpie el interior completamente. Deje ambas puertas abiertas para evitar que se acumule olor y hongos. Acúñe la puerta abierta si es necesario.

Mudanza: Cuando mueva el refrigerador, siga estas indicaciones para evitar daño:

- Saque todo el alimento y otros artículos tanto del refrigerador como del congelador. Saque las cubetas del hielo. Descongele y limpie el interior completamente.
- Si se utiliza un carro de mano para la mudanza, cargue el refrigerador de lado.
- Gire los rodillos delanteros tan adentro como sea posible (algunos modelos). Esto los protegerá durante la mudanza o cuando lo desliza.
- El gabinete debe estar bien protegido y manipulado con cuidado. **NO LO DEJE CAER.**

IMPORTANTE

Una vez que el sistema dispensador de Hielo y Agua de su refrigerador haya sido llenado de agua, es importante que el refrigerador sea mantenido en un medio ambiente por encima del punto de congelación.

Si el congelador va a ser almacenado en un medio ambiente que caiga por debajo del punto de congelación o que sea expuesto a temperaturas de congelación en un traslado, el agua en el sistema de Hielo y Agua debe ser drenada completamente. La omisión de hacer esto puede resultar en escapes de agua cuando el refrigerador vuelva a ser puesto en servicio.

Se recomienda ponerse en contacto con un representante de servicios para hacer ésta operación.

PARA SACAR LAS MANIJAS Y LAS PUERTAS

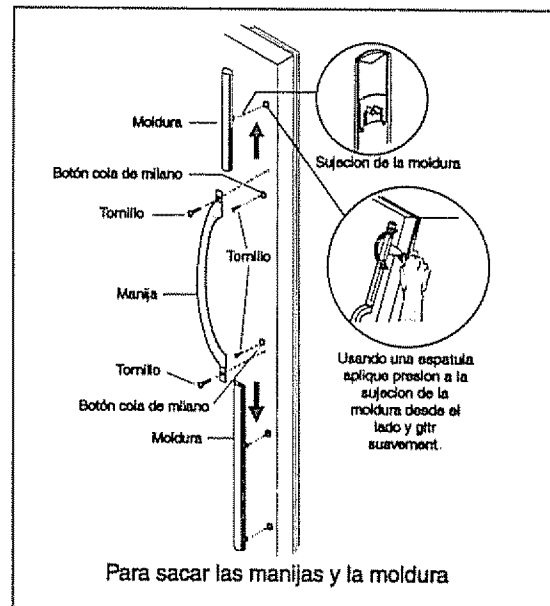
Si es necesario mover el refrigerador a través de umbrales angostos, siga estos pasos para sacar las manijas y/o las puertas del refrigerador y congelador.

PARA SACAR LAS MANIJAS

Moldura de todo el Largo

1. Usando una espátula, cuidadosamente deslice el extremo de la espátula bajo la moldura. Deslice la espátula hasta que encuentre la sujeción adhesiva de la moldura. Cuidadosamente manipule la espátula contra la sujeción de la moldura desde el lado como se muestra. **Nota: Oprimiendo la sujeción de la moldura desde arriba, no la despegará.**
2. Cuidadosamente empuje la espátula firmemente contra la sujeción de la moldura y gírela suavemente. La sujeción de la moldura se despegará de la puerta. (La moldura inferior tendrá dos sujeciones adhesivas.)
3. Sujete la moldura y aléjela de la manija usando un movimiento leve de lado a lado.
4. Saque el tornillo que sujeta la manija a la puerta.
5. Repita estos pasos para cada extremo de la manija. Conserve los tornillos y las molduras.
6. Saque la manija de los botones cola de milano.
7. Para colocar nuevamente las manijas, coloque la manija en los botones cola de milano, con el extremo designado "TOP" hacia arriba. Alinee las manijas con los agujeros de los tornillos. Reinstale los tornillos. Reinstale las molduras inferior y superior en los extremos de las manijas y oprima las sujeciones de la moldura en los agujeros de la puerta.

ESPAÑOL



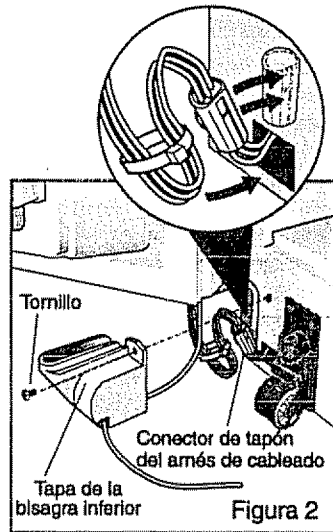
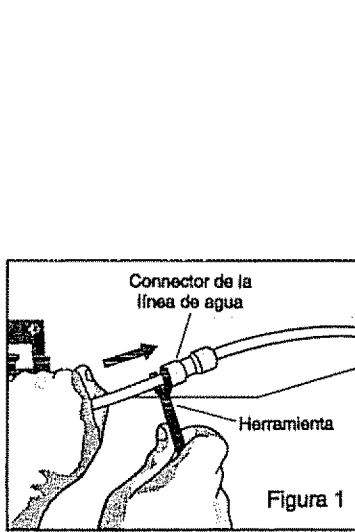
PARA SACAR LAS PUERTAS

Antes de sacar las puertas, asegúrese de que el control del congelador esté en la posición "OFF." Saque todos los alimentos de las puertas y desenchufe el refrigerador. Saque la rejilla inferior.

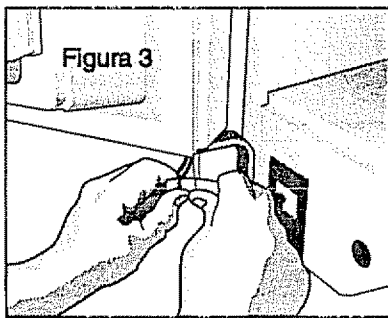
Marque alrededor de las bisagras con un lápiz suave. Esto facilitará el realineamiento de las puertas cuando las coloque nuevamente. Saque completamente una puerta antes de comenzar a sacar la otra.

PUERTA DEL CONGELADOR:

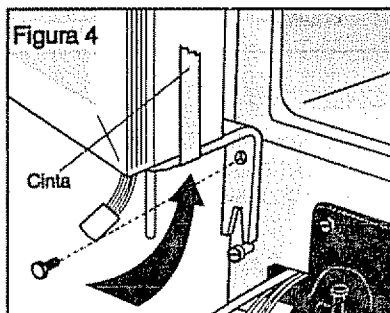
1. Retire la rejilla de la base (consulte "Afuera" en la sección *Cuidado y limpieza*).
2. Para desconectar la línea de agua, sujete el tubo firmemente con la mano izquierda y utilice la herramienta (ubicada en la bolsa debajo de la rejilla de la base) para empujar el collarín gris hacia adentro y liberar el conector de agua (Figura 1).



3. Retire el tornillo para quitar la tapa de la bisagra inferior (Figura 2).
4. Para desconectar el conector de tapón del arnés de cableado, coloque los pulgares en los lados planos de cada pieza del conector. Doble ambas piezas hacia atrás y hacia adelante. Luego, sujetando firmemente, jale las dos piezas para separarlas, tal como se muestra (Figura 3).



5. Coloque una tira de cinta a lo largo de la parte inferior de la puerta, sobre la bisagra inferior y a lo largo del lado de la puerta. Esto sujetará la bisagra en su sitio al retirar la puerta (Figura 4).



6. Afloje, pero **NO RETIRE** el perno inferior de la bisagra inferior. Retire el perno superior de la bisagra inferior (Figura 4).
7. Retire la tapa de la bisagra superior, levantando la parte posterior de la tapa, y deslícela hacia adelante. Retire los tornillos que sujetan el soporte de la bisagra al gabinete. Sujete el soporte al retirar el último tornillo. El mecanismo que cierra la puerta ejerce una presión leve con el resorte sobre la bisagra. **NO** retire el soporte de la bisagra de la puerta.
8. Levante la puerta con cuidado y quítela del perno de la bisagra inferior que había aflojado (Figura 4).

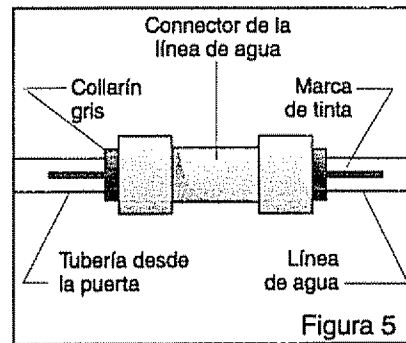
PUERTA DEL REFRIGERADOR:

1. Retire la tapa de la bisagra superior levantando la parte posterior de la tapa y deslícela hacia adelante. Retire los tornillos que sujetan el soporte de la bisagra al gabinete. Sujete el soporte al retirar el último tornillo. El mecanismo que cierra la puerta ejerce una presión leve con el resorte sobre la bisagra. **NO** retire el soporte de la bisagra de la puerta.
2. Afloje, pero **NO RETIRE** el perno inferior de la bisagra inferior. Retire el perno superior de la bisagra inferior.
3. Levante la puerta con cuidado y quítela del perno de la bisagra inferior que había aflojado.

Almacene las puertas en un lugar seguro hasta que el refrigerador se traslade a la ubicación deseada. Guarde toda la tornillería para la reinstalación.

PARA REINSTALAR LA PUERTA DEL CONGELADOR:

1. Coloque la puerta en la unidad y apriete los tornillos.
2. Vuelva a enchufar el conector del cableado, asegurándose de que esté bloqueado. Doble los cables como se muestra y coloque una lengüeta de cierre flexible (Figura 2). Introduzca el tubo a través del orificio en la tapa. **Posicione la tapa sobre los cables sin presionarlos.** Introduzca el tornillo para sujetar la tapa.
3. **IMPORTANTE:** Para reinstalar el conector de la línea de agua, presione el tubo de la puerta firmemente en el conector hasta que éste toque la marca negra en el tubo y se detenga (Figura 5). Este paso es crítico para asegurar que la línea de agua no tenga fugas.



PARA REINSTALAR LA PUERTA DEL REFRIGERADOR

Para reinstalar la puerta del refrigerador, siga las instrucciones utilizadas para retirar la puerta en orden inverso.

LISTA DE CONTROL DE AVERÍAS		Antes de llamar a un técnico de servicio, revise esta lista. Puede ahorrar tiempo y dinero. Esta lista incluye los problemas más comunes que no son el resultado de materiales o mano de obra defectuosa de este artefacto.	
PROBLEMA	CAUSA	SOLUCION	
FUNCIONAMIENTO DEL REFRIGERADOR			
El compresor del refrigerador no funciona.	<ul style="list-style-type: none"> El control del congelador está en "OFF". El refrigerador está en el ciclo de descongelación. El enchufe está fuera del tomacorriente. Un fusible del hogar está quemado o un disyuntor disparado. Falla de corriente eléctrica. 	<ul style="list-style-type: none"> Ajuste el control del congelador. Ver Ajuste de los Controles. Esto es normal en un refrigerador con descongelación automática. El ciclo de descongelación ocurre periódicamente, con una duración aproximada de 20 minutos. Asegúrese de enchufarlo. Revise/vuelva a posicionar el disyuntor o reemplace el fusible con un fusible de acción retardada de 15 amp. Revise las luces del hogar. Llame a su compañía de electricidad local. 	
El refrigerador funciona demasiado o durante mucho tiempo.	<ul style="list-style-type: none"> La temperatura de la habitación o el tiempo afuera es demasiado caliente. El refrigerador ha sido recientemente desconectado por un período de tiempo. La máquina automática de hacer hielo (algunos modelos) está funcionando. Las puertas son abiertas con demasiada frecuencia o se dejan abiertas por mucho rato. La puerta del refrigerador o congelador puede estar ligeramente abierta. El control del refrigerador (que se encuentra en el compartimiento del refrigerador) está en un ajuste demasiado frío. La junta del refrigerador o del congelador está sucia, gastada, agrietada o mal ajustada. 	<ul style="list-style-type: none"> Es normal que el congelador funcione con más esfuerzo bajo estas condiciones. El refrigerador demora aproximadamente 8 a 12 horas en enfriarse completamente nuevamente. El funcionamiento de la máquina de hacer hielo es causa de que el refrigerador funcione un poco más. El aire caliente que entra al refrigerador lo hace funcionar más. Abra las puertas con menos frecuencia. Asegúrese de que el refrigerador esté nivelado. Evite que los alimentos y envases bloqueen la puerta. Ver en la sección Problemas APERTURA/CIERRE DE LAS PUERTAS/COMPARTIMIENTOS. Coloque el control del refrigerador en un ajuste más caliente hasta que la temperatura del refrigerador sea satisfactoria. Espere 24 horas para que la temperatura se estabilice. Limpe o cambie la junta. Las pérdidas a través de la junta de la puerta pueden causar que el refrigerador funcione por periodos más prolongadas para mantener la temperatura deseada. 	
El compresor del refrigerador se enciende y se apaga frecuentemente.	<ul style="list-style-type: none"> El termostato está manteniendo el refrigerador a una temperatura constante. 	<ul style="list-style-type: none"> Esto es normal. El refrigerador se enciende y se apaga para mantener la temperatura constante. 	
TEMPERATURAS DEMASIADO FRIAS			
La temperatura en el congelador es demasiado fría y la temperatura en el refrigerador es satisfactoria.	<ul style="list-style-type: none"> El control del congelador está en un ajuste demasiado frío. 	<ul style="list-style-type: none"> Coloque el control del congelador en un ajuste más caliente hasta que la temperatura del congelador sea satisfactoria. Espere 24 horas para que la temperatura se estabilice. Luego, si la temperatura del refrigerador no es correcta, coloque el control del refrigerador en un ajuste más frío. 	
La temperatura en el refrigerador es demasiado fría y la temperatura en el congelador es satisfactoria.	<ul style="list-style-type: none"> El control del refrigerador está en un ajuste demasiado frío. 	<ul style="list-style-type: none"> Coloque el control del refrigerador en un ajuste más caliente. Deje pasar 24 horas para que la temperatura se estabilice. 	

PROBLEMA	CAUSA	SOLUCION
TEMPERATURAS DEMASIADO FRIAS (Cont.)		
Los alimentos guardados en los compartimiento se congelan.	<ul style="list-style-type: none"> El control del refrigerador está en un ajuste demasiado frío. 	<ul style="list-style-type: none"> Vea la solución indicada anteriormente.
Los alimentos guardados en el Compartimiento de la Carne (algunos modelos) se congela.	<ul style="list-style-type: none"> La carne debe ser guardada a una temperatura justo bajo el punto de congelación del agua (32°F, 0°C) para que se conserve fresca por un mayor tiempo. El Control del Aire Helado está ajustado a demasiado frío. 	<ul style="list-style-type: none"> Es normal que se formen cristes de hielo debido al contenido de humedad de la carne. Ajuste de Control del Aire Helado a un ajuste menos frío.
TEMPERATURAS DEMASIADO CALIENTES		
la temperatura en el congelador o refrigerador es demasiado caliente.	<ul style="list-style-type: none"> Las puertas son abiertas con demasiada frecuencia o por mucho tiempo. La puerta está ligeramente abierta. El condensador está sucio. 	<ul style="list-style-type: none"> El aire caliente entra al refrigerador cuando la puerta está abierta. No abra la puerta tan a menudo. Ver en la sección APERTURA/CIERRE DE LAS PUERTAS/COMPARTIMENTOS. Ver Limpieza Exterior en la sección Cuidado y Limpieza.
La temperatura en el congelador es demasiado caliente.	<ul style="list-style-type: none"> El control del congelador está ajustado a una temperatura demasiado caliente 	<ul style="list-style-type: none"> Coloque el control de congelador en un ajuste más frío hasta que la temperatura del congelador sea satisfactoria. Deje pasar 24 horas para que la temperatura se estabilice. Luego, si la temperatura del refrigerador no es correcta, coloque el control del refrigerador a un ajuste más caliente.
La temperatura en el Compartimiento de la Carne (algunos modelos) es demasiado caliente.	<ul style="list-style-type: none"> El Control del Aire Helado está caliente. 	<ul style="list-style-type: none"> Ajuste el Control del Aire Helado a un ajuste más frío.
AGUA/HUMEDAD/ESCARCHA DENTRO DEL REFRIGERADOR		
Se acumula humedad en el interior de la paredes del refrigerador.	<ul style="list-style-type: none"> El tiempo está caluroso y húmedo lo cual aumenta la acumulación de escarcha y transpiración interna. La puerta está ligeramente abierta. La puerta se abre a menudo o por mucho tiempo. 	<ul style="list-style-type: none"> Esto es normal. Ver en le sección Problemas APERTURA/CIERRE DE LAS PUERTAS/COMPARTIMENTOS. Abra la puerta con menos frecuencia.
Se junta agua en lado inferior de la tapa del compartimiento.	<ul style="list-style-type: none"> Las verduras contienen y despiden humedad. 	<ul style="list-style-type: none"> No es raro que haya humedad en la parte inferior de la tapa.
Se junta agua en la parte inferior del compartimiento	<ul style="list-style-type: none"> Las verduras y las frutas lavadas se desaguan cuando están en el compartimiento 	<ul style="list-style-type: none"> Seque los alimentos antes de colocarlos en el compartimiento. El agua que se junta en el fondo del compartimiento es normal.
AGUA/HUMEDAD/ESCARCHA FUERA DEL REFRIGERADOR		
Se forma humedad en la parte exterior del refrigerador o entre las puertas.	<ul style="list-style-type: none"> El tiempo está húmedo. La puerta está ligeramente abierta permitiendo que el aire frío del interior del refrigerador se una al aire tibio de afuera. 	<ul style="list-style-type: none"> Cuando el tiempo no esté tan húmedo esta humedad debería desaparecer. Ver en la sección Problemas APERTURA/CIERRE DE LAS PUERTAS/COMPARTIMENTOS.

PROBLEMA	CAUSA	SOLUCION
MAQUINA AUTOMATICA DE HACER HIELO (algunos modelos)		
<p>La máquina de hacer hielo no hace hielo.</p>	<ul style="list-style-type: none"> • El brazo de alambre de la máquina de hacer hielo está en la posición "up" u "OFF". • La válvula de la tubería del agua del hogar no está abierta • El congelador no está lo suficientemente frío. • La válvula en la tubería del agua fría está bloqueada o restringida por materias extrañas. • Determine si el distribuidor de agua dispensa agua. 	<ul style="list-style-type: none"> • Mueva el brazo de alambre a la posición "down" u "ON". • Abra la llave del agua. • Ver en la sección Problemas TEMPERATURAS DEMASIADO CALIENTES. • Cierre la llave del agua del hogar. Saquelimpie o reemplace la válvula. • Si no, el filtro de agua (<i>Kenmore</i> se atasca o está restringido por algún material extranjero, y debe estar reemplazado.
<p>La máquina de hacer hielo no hace suficiente hielo.</p>	<ul style="list-style-type: none"> • La máquina de hacer hielo está produciendo menos hielo que lo esperado. • El congelador no está lo suficientemente frío. • La llave del agua del hogar no está completamente abierta. • Determine si el distribuidor de agua dispensa más espacio que normalmente. 	<ul style="list-style-type: none"> • La máquina de hacer hielo debe producir aproximadamente 2 1/2 a 4 libras de hielo cada 24 horas. • Ver en la sección Problemas TEMPERATURAS DEMASIADO CALIENTES. • Abra la llave del agua del hogar. • Si es así, reemplace el filtro de agua <i>Kenmore</i>.
<p>La máquina de hacer hielo no deja de hacer hielo.</p>	<ul style="list-style-type: none"> • La manecilla de alambre de la máquina de hacer hielo está aplastada hacia abajo por un artículo en el congelador. 	<ul style="list-style-type: none"> • Saque el artículo y desenganche la manecilla. Saque los cubos de hielo que están congelados sobre la manecilla.
<p>La máquina de hacer hielo no separa los cubos.</p>	<ul style="list-style-type: none"> • Los cubos de hielo no están siendo usados con demasiada frecuencia. • Si los cubos son más pequeños que los normales, o tienen huecos, el filtro de agua <i>Kenmore</i> podría estar atascado. 	<ul style="list-style-type: none"> • Saque y sacuda el recipiente del hielo para separar los cubos. • Reemplace el filtro.
<p>El hielo tiene un olor y gusto desagradable.</p>	<ul style="list-style-type: none"> • El hielo ha tomado el olor o el sabor del alimento fuerte guardado en el refrigerador o en el congelador. • El agua que ve la máquina de hacer hielo tiene gusto o sabor malo. 	<ul style="list-style-type: none"> • Cubra bien los alimentos. Descarte el hielo antiguo. La máquina de hacer hielo producirá un lote fresco. • Agregue un filtro a la máquina de hacer hielo. Consulte a una compañía de purificación de agua.
DISTRIBUIDOR DE HIELO		
<p>El distribuidor de hielo no produce hielo.</p>	<ul style="list-style-type: none"> • El depósito del hielo está vacío. • La temperatura en el congelador está demasiado caliente. • La llave de la tubería del agua del hogar no está abierta. • La puerta del congelador no está cerrada. • La plancha que distribuye el hielo ha sido oprimida por más de 4 a 5 minutos. 	<ul style="list-style-type: none"> • Cuando caiga el primer lote de hielo en el depósito, el distribuidor comenzará a funcionar. • Gire el control del congelador a un ajuste más elevado de manera que se puedan hacer cubos de hielo. Cuando el primer lote de hielo sea hecho, el distribuidor comenzará a funcionar. • Abra la llave y deje pasar suficiente tiempo para que el hielo se haga. Cuando el hielo sea hecho, el distribuidor debiera funcionar. • Asegúrese de que la puerta del congelador esté cerrada. • El motor está sobrecargado. El protector de sobrecarga del motor se reposicionará en aproximadamente 3 minutos. El hielo entonces puede comenzar a caer.

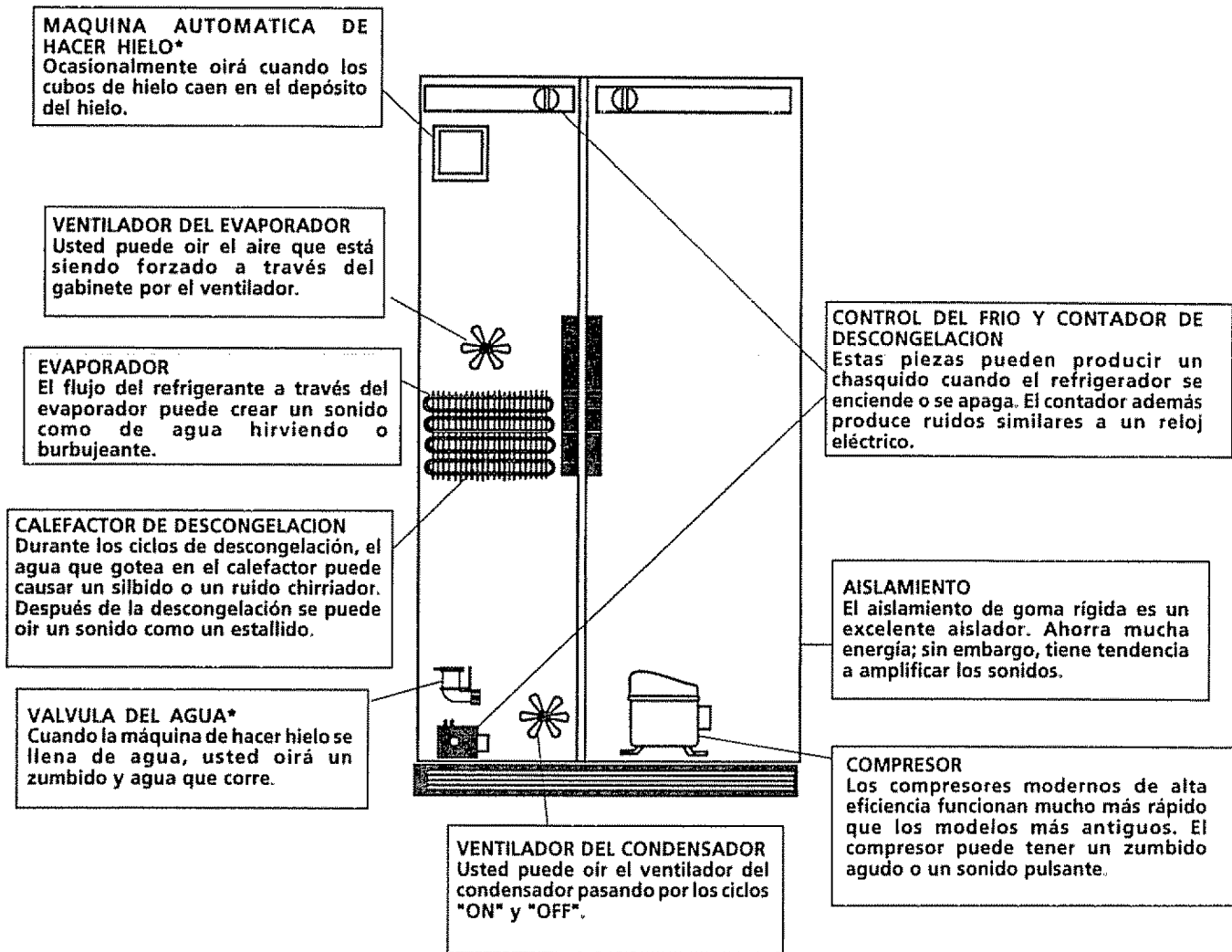
PROBLEMA	CAUSA	SOLUCION
DISTRIBUIDOR DE HIELO (cont.)		
<p>El distribuidor de hielo está obstruido.</p>	<ul style="list-style-type: none"> • El hielo se ha derretido y congelador alrededor del torrillo sin fin debido a uso poco frecuente, a las fluctuaciones de la temperatura y/o a las fallas de electricidad. • Los cubos de hielo están obstruidos entre la manecilla de alambre de la máquina de hacer hielo y la parte de atrás del depósito. • Los cubos de hielo se han congelado juntos. • Si los cubos son más pequeños que los normales, o tienen huecos, el filtro de agua Kenmore podría estar estascado. 	<ul style="list-style-type: none"> • Saque el depósito del hielo, descongele y vacíe su contenido. Limpie el depósito, séquelo y vuélvalo a colocar en su lugar. Cuando se haga el hielo nuevo, el distribuidor debiera funcionar. • Saque los cubos de hielo que están obstruyendo el distribuidor. • Use el distribuidor a menudo para que los cubos no se congelen juntos. • Reemplace el filtro. El sistema funciona mejor a presión de agua entre lbs/pulg.2. La presión debe estar entre estas figuras.
DISTRIBUIDOR DE AGUA		
<p>El distribuidor no distribuye agua.</p>	<ul style="list-style-type: none"> • La llave del agua del hogar no está abierta. • La puerta del congelador no está cerrada. • El filtro de agua Kenmore se atasca y debe estar reemplazado. 	<ul style="list-style-type: none"> • Abra la llave del agua del hogar. Ver en la sección Problemas La máquina de hacer hielo no hace suficiente hielo. • Asegúrese de cerrar la puerta del congelador. • Reemplace el filtro.
<p>El agua tiene un sabor y/u olor extraño.</p>	<ul style="list-style-type: none"> • El agua ha estado en el depósito por un período de tiempo. • El refrigerador no está debidamente conectado a la tubería del agua fría. • La tubería usada en el agua del hogar y la instalación del refrigerador pueden afectar el sabor y el olor del agua. • El agua tiene un alto contenido de minerales. 	<ul style="list-style-type: none"> • Saque y descarte 7 a 8 vasos de agua para refrescar el suministro. Saque y descarte de 3 a 6 vasos adicionales para enjuagar completamente el depósito. • Conecte el refrigerador a la tubería del agua fría suministra agua a la llave de la cocina. • Para mejores resultados, use una tubería de cobre para la conexión del agua. • Póngase en contacto con una planta de tratamiento de agua para solicitar ayuda.
<p>No hay mucha presión de agua.</p>	<ul style="list-style-type: none"> • Presiones de apagado y encendido son muy bajas (Sistemas the sistema solamente). 	<ul style="list-style-type: none"> • Pregunte que alguien incremente moderadamente la presión para el apagado y encendido en la unidad de bombeo (Sistemas the sistema solamente).
OLORES EN EL REFRIGERADOR		
<p>Olores en el refrigerador</p>	<ul style="list-style-type: none"> • El interior necesita ser limpiado. • Existen alimentos con olor fuerte en el refrigerador o congelador. 	<ul style="list-style-type: none"> • Limpie el interior con una esponja, agua tibia y bicarbonato de soda. • Cubra los alimentos.

PROBLEMA	CAUSA	SOLUCION
APERTURA/CIERRE DE LAS PUERTAS/COMPARTIMIENTOS		
La(s) puerta(s) no cierra(n).	<ul style="list-style-type: none"> • La puerta no está diseñada para cerrarse automáticamente. • La puerta fué cerrada demasiado fuerte causando que quedara ligeramente abierta. • El refrigerador no está nivelado. • El piso está disparejo o débil. • El refrigerador está tocando la pared o los armarios. 	<ul style="list-style-type: none"> • Cierre la puerta firmemente • Cierra ambas puertas suavemente. • Se mece en el piso cuando se mueve ligeramente. Asegúrese de que el piso esté nivelado y firme y que pueda soportar el refrigerador adecuadamente. Ajuste los rodillos como sea necesario. • El refrigerador se mece en el piso cuando se mmueve ligeramente. Asegúrese de que el piso esté nivelado y que pueda soportar el refrigerador adecuadamente. Póngase en contacto con un carpintero para corregir los pisos en pendientes o cùncavos. • Asegúrese de que el piso esté nivelado y que puede soportar adecuadamente el peso del refrigerador. Póngase en contacto con un carpintera para corregir los pisos en pendientes o cùncavos.
Los compartimientos son difíciles de mover.	<ul style="list-style-type: none"> • El alimento está tocando la parrilla en el parte superior del compartimiento. • El riel por el cual se desliza el compartimiento está sucio. 	<ul style="list-style-type: none"> • Coloque menos alimento en el compartimiento. • Limpie el compartimiento, los rodillos y el riel.
LA AMPOLLETA NO ESTA ENCENDIDA		
La ampolleta no está encendida.	<ul style="list-style-type: none"> • La ampolleta está quemada. • El interruptor de la luz está atascado. • No llega corriente eléctrica al refrigerador. 	<ul style="list-style-type: none"> • Ver "Para Cambiar la Ampolleta" en Cuidado y Limpieza. • El interruptor de la luz está ubicado en el interior del marco de la puerta junto al control de la temperatura de cada compartimiento. Empuje el botón para soltarlo. • Ver en secciùn Problemas FUNCIONAMIENTO DEL REFRIGERADOR.

ESPAÑOL

SONIDOS NORMALES DEL FUNCIONAMIENTO

ESPAÑOL



* En los modelos equipados con Máquina de Hacer Hielo.

SERVICIO SEARS

"Nosotros Reparamos lo que Vendemos" es nuestra garantía de que usted puede depender de Sears para servicio... y el servicio de Sears lo puede conseguir a través de todo el país. Su refrigerador tiene mayor valor cuando se considera que Sears tiene centros de servicio a través de todo el país, con técnicos entrenados por Sears...técnicos específicamente entrenados en los artefactos Sears y que cuentan con las piezas, herramientas y equipo para asegurarle que cumplimos con nuestra promesa..."Nosotros reparamos lo que vendemos."

Convenio de mantenimiento Sears

Conserve el valor de su refrigerador *Kenmore®* adquiriendo el convenio de Mantenimiento Sears. Los refrigeradores Sears están diseñados, fabricados y probados para funcionamiento confiable durante muchos años. Sin embargo, cualquier artefacto moderno puede, de vez en cuando, necesitar servicio.

El Convenio de Mantenimiento Sears

- Es su manera de comprar la reparación del mañana al precio de hoy.
- Elimina las cuentas de reparaciones resultantes del uso normal.
- Permite tantas llamadas de servicio como sean necesarias.
- Proporciona servicio por técnicos profesionales entrenados por Sears.
- Ofrece mantenimiento preventivo anual si lo solicita.

Este convenio de mantenimiento no cubre la instalación original, la reinstalación o daño resultante de causas externas tales como casos fortuitos, abuso, robo, incendio, inundaciones, viento, rayos, congelación, falla de energía, reducción de potencia, etc. Solicite a un vendedor que le explique todos los términos y condiciones del convenio.

CLIENTE DE SEARS CANADÁ

Estimado Cliente:

En fabricar este producto, se han tomado muchos pasos para proveer la calidad más alta posible. Desafortunadamente, se ocurren errores o omisiones ocasionalmente. En el caso de que usted encuentre una parte defectuosa o que le falte una parte, favor de llamar a su almacén Sears más cercano.

Si usted tiene cualquier sugerencias que nos ayudarían para mejorar nuestra asamblea/las instrucciones de operación o este producto, favor de escribirnoslas, incluyendo la información abajo. Envíalo a:

Sears Canadá, Inc. Attn: Buyer Dept. 646
222 Jarvis Street
Toronto, Ontario
M5B 2B8

Comprado por:

Nombre: _____

Dirección: _____

Ciudad: _____ Prov: _____

Código Postal: _____ Teléfono: _____

No. De Modelo: 970. _____

No. De Serie: _____

Fecha De Compra: __/__/__

Donde Comprado: _____

Comenta: _____

ESPAÑOL

TABLE DES MATIERES

Inscrivez les numéros de	
Série et de modèle	1
Sécurité	1-2
Garantie	2
Canada - Garantie	3
Pour bien commencer	4
Conseils pour economiser l'energie	5
Réglage des commandes	5
Compartiment réfrigérateur	6
Distributeur automatique d'eau	
et de glaçons	7-9
Touche à effleurement	7
Filtre a glaçons et a eau	9
Entretien et nettoyage	10-11
Dépose des poignées et des portes ...	11-12
Liste de contrôle anti-panne	13-16
Bruits normaux	17
Service après-vente Sears	18
Clients Sears Canada	18
Remarques	19

SÉRIE/MODÈLE NUMEROS

LISEZ ET CONSERVEZ CES INSTRUCTIONS

Ce Guide de l'utilisateur donne des instructions particulières à ce modèle. Ne utiliser le réfrigérateur que de la façon indiqué dans ce guide. Les instrucions indiquées dans ce guide ne couvrent pas toutes les situations qui peuvent se présenter. Usez de bons sens et de prudence pour installer, faire fonctionner et entretenir cet appareil.

Inscrivez les numéros de série et de modèle

Inscrivez ci-dessous le numéro de modèle et le numéro de ce réfrigérateur. Ces numéros se trouvent sur la plaque signalétique située au plafond du compartiment réfrigérateur.

N° de modèle: 253.

 Ou 970.

N° de série: _____

Date de l'achat: _____

IMPORTANTES MESURES DE SÉCURITÉ

LISEZ TOUTES CES INSTRUCTIONS AVANT D'UTILISER LE REFRIGERATEUR

AVERTISSEMENT POUR VOTRE SÉCURITÉ

N'entreposez pas et n'utilisez pas d'essence ou autres vapeurs et liquides inflammables à proximité de cet appareil ou d'un autre. Lisez les étiquettes donnant les caractéristiques d'inflammabilité et autres avertissements.

AVERTISSEMENT SÉCURITÉ DES ENFANTS

- Détruisez le cartonnage, les sacs plastiques et tout matériau d'emballage immédiatement après déballage du réfrigérateur. Les enfants ne devraient jamais se servir de ces articles pour jouer. Les cartonnages recouverts de tapis, housses plastiques, couvertures ou matériaux extensibles risquent en effet de ne pas laisser passer d'air et d'asphyxier.
- Enlevez toutes les agrafes; elles risquent de blesser gravement et d'endommager les finis d'autres appareils et meubles.
- Un réfrigérateur ou congélateur ou encore une glacière vide risquent d'attirer dangereusement les enfants. **Enlevez la porte de tout appareil non utilisé, même s'il a été mis de côté.**

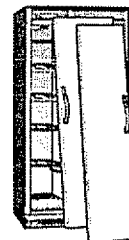
Mise au rebut appropriée du réfrigérateur/congélateur

AVERTISSEMENT

Risque d'enfermement des jeunes enfants. Les risques d'enfermement et de suffocation des jeunes enfants sont bien réels. Les réfrigérateurs mis au rebut ou non utilisés présentent toujours un danger - même s'ils ne sont entreposés "que pour quelques jours". Si vous allez vous débarrasser de votre vieux réfrigérateur veuillez suivre les instructions ci-dessous pour éviter tout risque d'accident.

AVANT DE VOUS DEBARASSER DE VOTRE VIEUX RÉFRIGÉRATEUR OR CONGÉLATEUR:

- Retirer les portes.
- Laisser les étagères en place pour que les enfants ne friment pas facilement dedans.



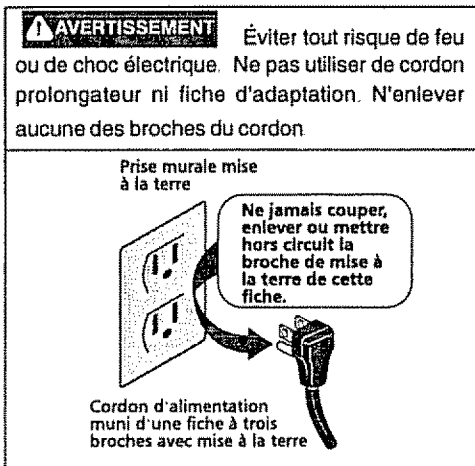
⚠ AVERTISSEMENT ÉLECTRICITÉ

Ces directives doivent être suivies pour que les mécanismes de sécurité de ce réfrigérateur fonctionnent correctement.

- **Le réfrigérateur doit être branché dans sa propre prise de 115 volts, 60 Hz, CA seulement.** Le cordon de l'appareil est muni d'une fiche à trois broches avec mise à la terre pour éviter les décharges électriques. Elle doit être branchée directement dans une prise murale mise à la terre, à trois alvéoles, installée conformément aux codes et règlements locaux. Consultez un électricien qualifié. **N'UTILISEZ PAS DE CORDON PROLONGATEUR NI DE FICHE D'ADAPTATION.**
- Si la tension varie de 10% ou plus, les performances de votre réfrigérateur risquent d'en être affectées, et le compresseur endommagé. Un tel dommage n'est pas couvert par la garantie. Si vous soupçonnez que la tension est élevée ou basse, communiquez avec votre compagnie d'électricité.
- Pour éviter que le réfrigérateur ne soit accidentellement débranché, ne le branchez pas dans une prise commandée par un interrupteur mural ou un cordon de tirage.
- Ne pincez pas, ne tordez pas, ne nouez pas le cordon d'alimentation.

⚠ AVERTISSEMENT AUTRES PRÉCAUTIONS

- Ne débranchez pas le réfrigérateur en tirant sur le cordon. Saisissez toujours bien la fiche et sortez-la de la prise en tirant droit vers vous.
- Pour éviter les décharges électriques, débranchez le réfrigérateur avant de le nettoyer ou de remplacer une ampoule. **Remarque:** En mettant la commande sur «OFF» (ARRÊT), vous ne coupez pas l'alimentation de l'ampoule ni des autres composants électriques, mais du compresseur seulement.
- Ne faites pas fonctionner le réfrigérateur en présence de vapeurs explosives.
- Si votre réfrigérateur est doté d'une machine à glaçons automatique, évitez tout contact avec les pièces mobiles.



GARANTIE

GARANTIE COMPLÈTE DE UN AN SUR LE RÉFRIGÉRATEUR

Pendant un an à partir de la date d'achat, si ce réfrigérateur fonctionne et est entretenu selon les instructions du guide de l'utilisateur, Sears réparera ce réfrigérateur, gratuitement, en cas de défaut de matériau ou de fabrication.

GARANTIE COMPLÈTE DE CINQ ANS SUR LE SYSTÈME DE RÉFRIGÉRATION SCÉLLÉ

Pendant cinq ans à partir de la date d'achat, si ce réfrigérateur fonctionne et est maintenu selon les instructions du guide de l'utilisateur, Sears réparera gratuitement le système de réfrigération scellé (comprenant le réfrigérant, la tuyauterie et le moteur du compresseur), en cas de défaut de matériau ou de fabrication.

La garantie ci-dessus ne s'applique qu'à des réfrigérateurs utilisés à fins domestiques.

GARANTIE COMPLÈTE DE 30 JOURS SUR LA CARTOUCHE DE FILTRATION D'EAU POUR RÉFRIGÉRATEUR KENMORE.

Si cette cartouche de filtration d'eau pour réfrigérateur Kenmore s'avère défectueuse à cause d'un défaut de matériau ou de fabrication dans les 30 jours suivant la date d'achat, **VEUILLEZ LA RETOURNER AU MAGASIN SEARS AUX ÉTATS-UNIS LE PLUS PRÈS DE CHEZ VOUS**, et Sears la remplacera sans frais.

Cette garantie vous donne des droits spécifiques. Il se peut que vous bénéficiiez d'autres droits, lesquels varient d'états à états.

Le service de garantie est disponible en contactant le **CENTRE DE SERVICE/DÉPARTEMENT DE SEARS PLUS PROCHE** aux États - Unis. Voir la page postérieure de ce manuel.

Pour les questions au garantie, s'il vous plaît contacter l'adresse suivante:

Sears, Roebuck and Co.
Dept. 817WA
Hoffman Estates, IL 60179

CANADA — GARANTIE

Réfrigérateurs



Canada Inc. garantit tous les réfrigérateurs *Kenmore* neufs contre tout vice de matériau ou de fabrication. En cas de défaut, voici ce que Sears effectuera gratuitement:

Cette garantie couvre:	Durée de la garantie (à compter de la date d'achat)	Pièces: Au choix de Sears, réparation ou remplacement de la pièce défectueuse pendant:	Main d'œuvre: Installation de la pièce réparée ou de la pièce de rechange pendant:
Le compresseur	DIX (10) ANS	CINQ (10) ANS	DIX (10) ANS
Le système scellé (réfrigérant, évaporateur et condenseur)	CINQ (5) ANS	CINQ (5) ANS	CINQ (5) ANS
Toutes les autres pièces, tous les autres réglages	UN (1) AN	UN (1) AN	UN (1) AN

Responsabilité normale du consommateur

Les points suivants, qui ne sont pas des défauts de fabrication, ne sont pas compris dans la garantie, mais sont à la charge du client:

- 1) Dommages du fini après livraison.
- 2) Alimentation électrique impropre, faible tension, tout défaut du câblage de la maison, appareil non branché à une prise électrique.
- 3) Remplacement des ampoules électriques.
- 4) Dommages causés par le déplacement de l'appareil.
- 5) Réparations à la suite de modifications, usage abusif, incendie, inondation ou causes naturelles.
- 6) Bonne circulation d'air au système de réfrigération.
- 7) Utilisation et entretien appropriés, comme il est indiqué dans le guide, bon réglage des commandes.

Pour tout entretien nécessaire sous cette garantie, appelez simplement **1-877-LE-FOYERSM** (1-877-533-6937).

La garantie ci-dessus concerne les réfrigérateurs *Kenmore* vendus et fonctionnant au Canada seulement.

Elle ne s'applique pas si le réfrigérateur est utilisé à d'autres fins que domestiques.

Contrat d'entretien Sears

Conservez la valeur de votre réfrigérateur *Kenmore* avec un contrat d'entretien Sears.

SEARS CANADA INC. • Toronto, Canada • M5B 2B8

FRANÇAIS

POUR BIEN COMMENCER

Ce guide de l'utilisateur donne des directives particulières à ce modèle. Ne utiliser le réfrigérateur que de la façon indiquée dans ce guide. **Avant de mettre en marche le réfrigérateur, prener connaissance des points suivants:**

EMPLACEMENT

- Choisissez un endroit près d'une prise mise à la terre. N'utilisez PAS de cordon prolongateur ni de fiche d'adaptation.
- Si possible, placez le réfrigérateur à l'écart de la lumière du soleil et d'une cuisinière, d'un lave-vaisselle ou autre source de chaleur.
- Installez le réfrigérateur sur un plancher de niveau et suffisamment solide pour soutenir un réfrigérateur plein.
- Tenez compte de l'approvisionnement en eau pour les modèles avec machine à glaçons automatique.

INSTALLATION

- Ne pas installer le réfrigérateur là où la température tombe en dessous de 15°C (60°F) ou s'élève au-dessus de 43°C (110°F). Le compresseur ne pourrait pas maintenir les bonnes températures.
- Si le réfrigérateur est encastré, laisser 10-15 mm (1/2 pouce) en plus de chaque côté pour faciliter l'installation.
- Si le côté charnière de l'appareil est placé contre un mur, laisser un espace de 44 mm (1-3/4 pouce) entre le mur et le réfrigérateur pour permettre à la porte de bien s'ouvrir.

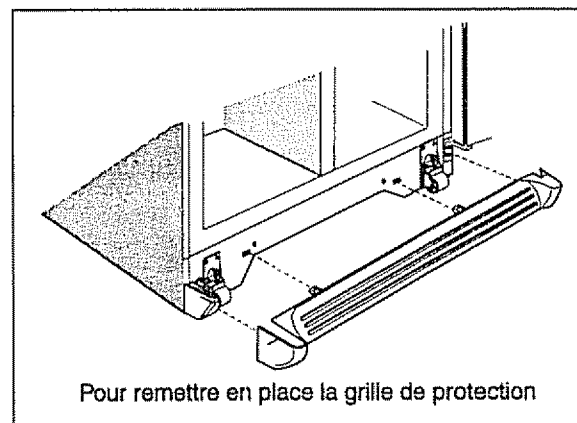
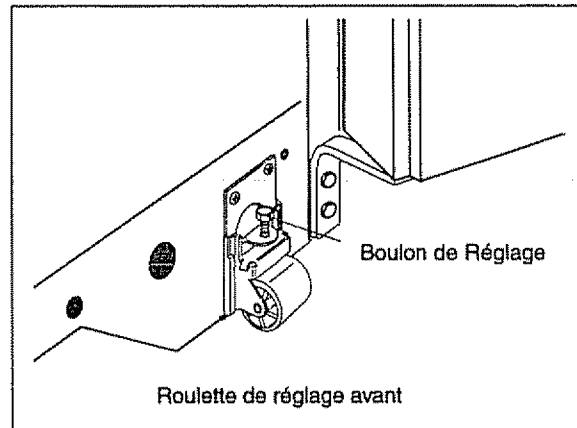
OUVERTURE DES PORTES

Pour utiliser au mieux les bacs et le panier du congélateur, le réfrigérateur doit être placé de façon que les portes du réfrigérateur et du congélateur s'ouvrent à environ 135°.

MISE À NIVEAU

- Le réfrigérateur peut être mis à niveau avec ses quatre coins inférieurs reposant fermement sur un plancher solide. Régler les roulettes avant d'avant en arrière, d'un côté à l'autre. Garder la caisse aussi basse que possible pour une meilleure stabilité. *Ne jamais régler les roulettes de sorte que l'avant soit plus bas que l'arrière.*
- **Pour régler les roulettes avant:** Ouvrir les portes du réfrigérateur et du congélateur. Enlever la grille de protection en la tirant droit vers vous. Régler les roulettes en tournant chaque boulon avec une clé à douille, une clé à molette ou un tourne-écrou jusqu'à ce que le réfrigérateur soit de niveau et stable. Les roulettes arrière ne sont pas réglables.
- Vérifier les deux portes pour vous assurer que les joints touchent la caisse également des quatre côtés.

- Si la porte du congélateur est plus haute que celle du réfrigérateur, relever le coin droit et/ou baisser le coin gauche jusqu'à ce que les portes soient alignées en haut de la caisse.
- Si la porte du réfrigérateur est plus haute que la porte du congélateur, relever le coin gauche et/ou baisser le coin droit jusqu'à ce que les portes soient alignées.
- **Pour remettre en place la grille de protection:** Aligner les pattes avec les trous et pousser la grille en place.



NETTOYAGE

- Nettoyez l'intérieur, toutes les pièces amovibles et l'extérieur avec de l'eau tiède et un détergent doux. Essuyez. **N'UTILISEZ PAS D'ABRASIF PUISSANT SUR CES SURFACES.**
- Pour enlever les étiquettes adhésives, n'utilisez pas de lame de rasoir ou autre instrument tranchant risquant de rayer le fini. Enlevez la colle restante du ruban ou de l'étiquette sur l'énergie avec un mélange d'eau tiède et de détergent doux, ou bien avec le côté collant du ruban ou de l'étiquette enlevée.

CONSEILS POUR ECONOMISER L'ENERGIE



- Placez le réfrigérateur dans l'endroit le plus froid de la pièce, éloigné de la lumière du soleil et des conduits de chauffage ou bouches de chaleur. Ne le placez pas près d'une cuisinière, d'un four ou d'un lave-vaisselle. Si cela n'est pas possible autrement, ajoutez une planche ou couche d'isolation entre les deux appareils pour aider le réfrigérateur à fonctionner plus efficacement et de façon plus économique.
- Mettez le réfrigérateur de niveau pour que les portes se ferment bien.
- Reportez-vous à ce guide pour connaître les réglages suggérés.
- Un nettoyage périodique du condenseur aidera le réfrigérateur à fonctionner plus efficacement. Voyez le chapitre Entretien et nettoyage.
- Ne surchargez pas le réfrigérateur et ne bloquez pas les sorties d'air froid. Sinon, le réfrigérateur devra fonctionner plus longtemps et utiliser plus d'énergie. Ne recouvrez pas les clayettes de papier aluminium, de papier ciré ou d'essuie-tout. Cela risque d'entraver la circulation d'air froid et de diminuer l'efficacité du réfrigérateur et donc la conservation des aliments.
- Recouvrez les aliments et essuyez les contenants avant de les placer au réfrigérateur, pour réduire la condensation à l'intérieur.
- Ouvrez la porte du réfrigérateur le moins possible. Prévoyez et placez ou prenez plusieurs articles en même temps et refermez aussitôt que possible.

REGLAGE DES COMMANDES

PÉRIODE DE REFROIDISSEMENT

Pour assurer une bonne conservation des aliments, laissez le réfrigérateur fonctionner, portes fermées, pendant au moins 8 à 12 heures avant de le remplir de nourriture.

COMMANDE DU RÉFRIGÉRATEUR

- Réglez la commande à la position médiane pendant une période d'essai de 24 heures.
- Après 24 heures, réglez la commande au besoin. Pour des températures plus basses, tournez la commande vers «COLDEST» (TRÈS FROID). Pour des températures plus élevées, tournez la commande vers «COLD» (FROID). Réglez les températures d'un cran à la fois.

COMMANDE DU CONGÉLATEUR

- Réglez la commande du congélateur à la position médiane pour une période d'essai de 24 heures.

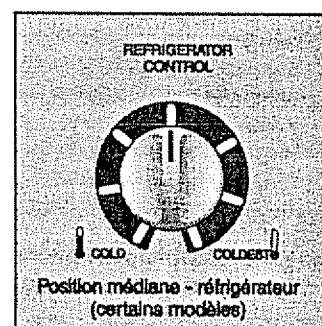
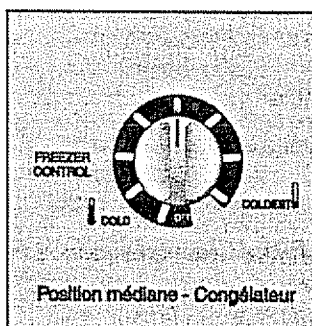
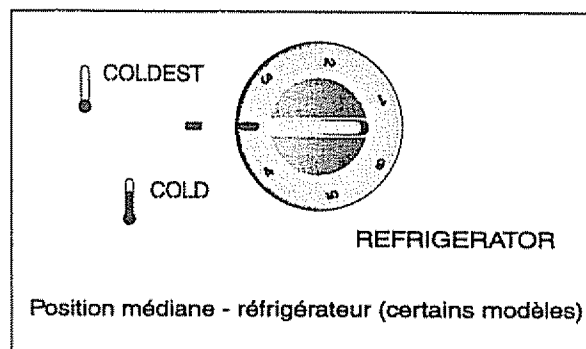
- Après 24 heures, réglez la commande au besoin. Pour des températures plus basses, tournez la commande d'un cran vers «COLDEST» (TRÈS FROID). Pour des températures plus élevées, tournez la commande d'un cran vers «COLD» (FROID). Réglez les températures d'un cran à la fois.

Remarque: Lors du premier réglage des commandes ou si vous changez un réglage, attendez 24 heures que la température se stabilise avant de faire d'autres changements.

La commande du congélateur peut modifier les températures des deux compartiments. Par exemple, si la commande du congélateur est sur un réglage plus froid, la commande du réfrigérateur peut avoir à être réglée sur plus chaud. La commande du réfrigérateur ne change que la température du compartiment réfrigérateur.

IMPORTANT: Si la commande du congélateur est sur «OFF» (ARRÊT), le refroidissement s'arrête dans les deux compartiments.

Vous pouvez entendre le système sans givre fonctionner. Un ventilateur fait circuler l'air dans les compartiments réfrigérateur et congélateur. Pour assurer une bonne circulation de l'air et le maintien des bonnes températures de refroidissement, ne pas bloquer les événements d'air froid avec des aliments. Le bruit de l'eau s'écoulant dans le plateau de dégivrage et des sifflements sont normaux lors du cycle automatique sans givre.



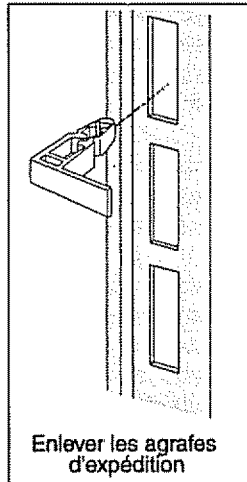
FRANÇAIS

COMPARTIMENT RÉFRIGÉRATEUR

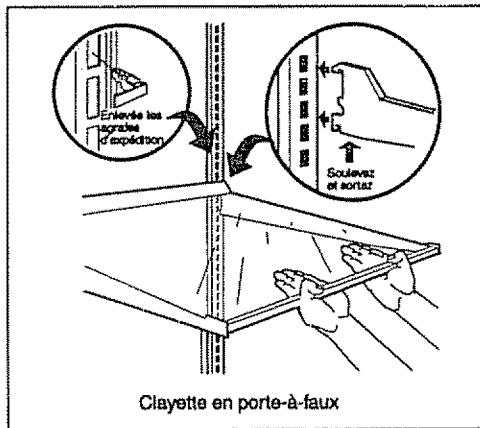
RÉGLAGE DES CLAYETTES

Les clayettes du réfrigérateur se règlent facilement selon les besoins de chacun. Avant de les régler, enlevez toute la nourriture. Les agrafes d'expédition qui retiennent les clayettes peuvent être enlevées ou jetées.

Pour régler les clayettes en porte-à-faux (clayettes soutenues à l'arrière du réfrigérateur), soulevez l'arrière de la clayette et sortez celle-ci. Remettez la clayette en place en introduisant les crochets à l'arrière dans les fentes. Baissez et verrouillez en place.



Les clayettes en verre *Spillproof* retiennent les renversements accidentels. Dans certains modèles, les clayettes *Spillproof* coulissent pour faciliter le nettoyage et l'accès à la nourriture. Elles coulissent indépendamment des supports. Il suffit de tirer la clayette vers vous, jusqu'à la butée. La clayette ne sortira pas des supports.



RANGEMENT DANS LA CONTRE-PORTE

Des balconnets permettent un rangement pratique des flacons, bouteilles et canettes. Les articles utilisés souvent sont ainsi rapidement choisis.

Les balconnets peuvent être déplacés selon les besoins. Pour ce faire, les soulever tout droit. Placer le balconnet à la position voulue et le baisser en place sur les supports.

Le casier laitier est à une température plus élevée que le reste du compartiment. Il est prévu pour un entreposage à court terme des fromages, tartinades ou du beurre.

BACS À FRUITS ET À LÉGUMES

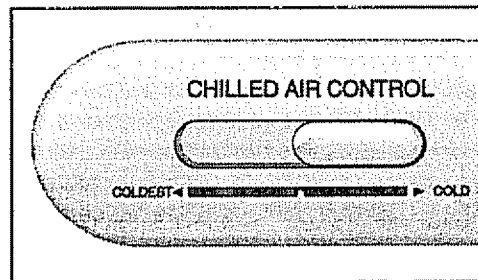
Les bacs, situés sous la clayette inférieure du réfrigérateur, permettent le rangement des fruits, légumes ou autres produits frais. Lavez les produits à l'eau claire et égouttez-les avant de les ranger. Les articles ayant une odeur forte ou à degré d'humidité élevé doivent être enveloppés avant d'être rangés.

GARDE-VIANDE

Le garde-viande est situé à la partie inférieure du réfrigérateur. La température de ce compartiment peut être diminuée par rapport au reste du réfrigérateur en couissant la commande d'air rafraîchi dans la gamme des températures «COLDEST» (très FROID) ou «COLD» (FROID). La viande sera partiellement congelée et pourra être conservée plus longtemps que sur une clayette.

Avant de ranger la nourriture dans le garde-viande, suivre ces étapes pour conserver la viande fraîche:

1. Manipuler soigneusement la viande avec des mains propres et garder toujours le compartiment propre.
2. Ranger la viande dans son emballage d'origine. Si nécessaire, ajouter une feuille plastique ou aluminium pour empêcher tout dessèchement. Envelopper bien le poisson pour empêcher tout transfert d'odeurs aux autres aliments.
3. Si de la nourriture se gâte, désinfecter le garde-viande avec du javellisant liquide en suivant les instructions de l'étiquette. Puis, laver avec une solution de bicarbonate de soude. Rincer à l'eau et sécher.

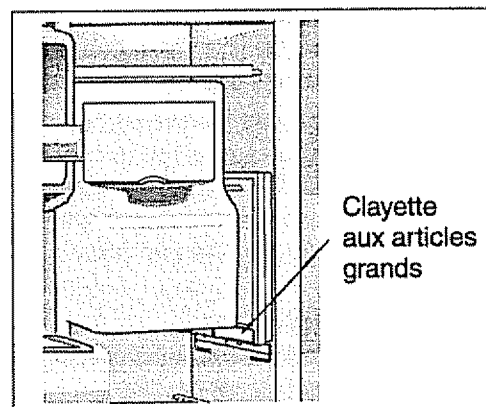


PANIER DE CONGÉLATEUR

Un panier coulissant (certains modèles en ont deux) est suspendu sous la clayette inférieure du congélateur. Il permet d'accéder facilement aux denrées congelées.

CLAYETTE AUX ARTICLES GRANDS DU CONGÉLATEUR (CERTAINS MODÈLES)

Une clayette est fixée à la paroi du congélateur, juste audessus du distributeur à glaçons. Ceci permet de ranger convenablement les articles grands à la verticale entre le distributeur à glaçons et la paroi du congélateur.



DISTRIBUTEUR AUTOMATIQUE D'EAU ET DE GLAÇONS

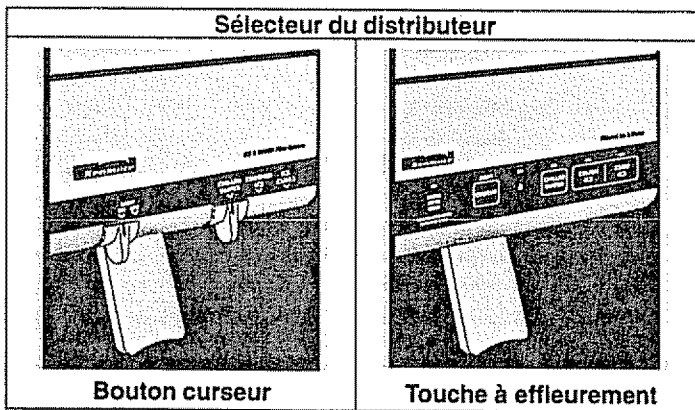
Le distributeur d'eau et de glaçons sur la porte du congélateur distribue commodément de l'eau rafraîchie et de la glace pilée ou des glaçons (selon les modèles). Quelques modèles possèdent un sélecteur à bouton curseur pour la distribution d'eau et de glace, alors que d'autres modèles possèdent une touche à effleurement pour la distribution.

Pour faire fonctionner le distributeur, appuyez sur la touche ou faites glisser la touche pour la sélection de votre choix et appuyez le verre contre le bras de distribution. Tenez le verre aussi loin que possible, pour attraper tous les glaçons. Relâchez le levier avant que le verre ne soit plein mais n'enlevez pas le verre tant que la distribution de glaçons n'est pas terminée. Pour arrêter la distribution de glaçons, retirez le verre. (Les instructions complètes pour le fonctionnement du distributeur sont situées à l'intérieur de la porte du congélateur.)

Une petite zone chauffée sous la plaque inférieure du distributeur attrape et évapore les glaçons épars. Ce plateau de dégivrage est démontable et lavable au lave-vaisselle. **Ne versez pas de l'eau ou des glaçons dans cette zone, il n'y a pas d'écoulement.**

ÉCLAIRAGE

Le distributeur a un éclairage qui peut être allumé ou éteint en faisant glisser le bouton à la position désirée ou en appuyant sur la touche "Light ON/OFF" (MARCHE/ARRÊT ÉCLAIRAGE). La lampe s'allume automatiquement lors de la distribution de glace et/ou d'eau. Remplacez l'ampoule avec une ampoule de même puissance.



FONCTIONNEMENT DU DISTRIBUTEUR D'EAU

Le réservoir se remplit automatiquement, au fur et à mesure du prélèvement de l'eau. Pour que le distributeur fonctionne bien, la pression de l'eau doit se situer entre 30 et 120 lb/po².

Une fois le réfrigérateur installé et les raccords terminés, le réservoir d'eau doit être rempli en soutirant un verre d'eau. Après avoir appuyé sur le levier, **il faut attendre environ 1-1/2 minute** avant que l'eau ne circule et n'arrive pour remplir ce premier verre. Soutirer et jeter 7 autres verres pour que le réservoir et les raccords soient rincés de toute impureté. Le système d'alimentation en eau possède un dispositif d'arrêt interne qui arrêtera le débit d'eau après 3 minutes d'utilisation continue. Relâchez simplement le bouton actionneur pour réinitialiser le mécanisme.

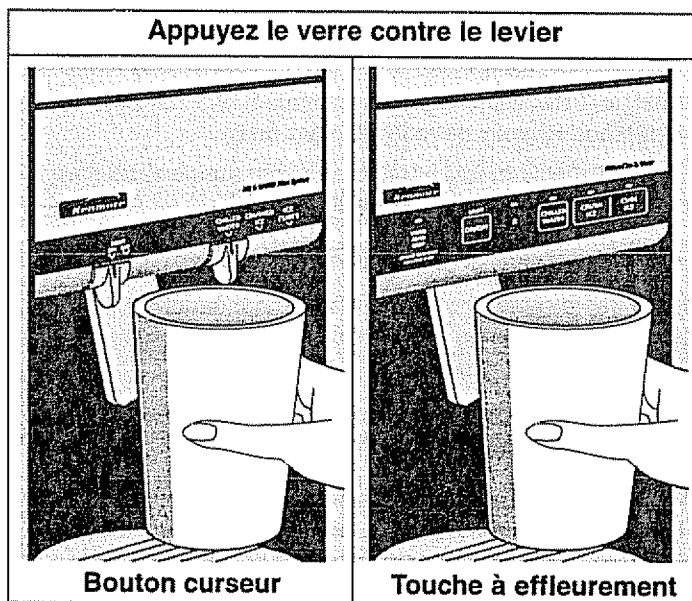
Pour avoir une eau au goût frais, utiliser le distributeur tous les jours. Si le distributeur n'a pas été utilisé durant une semaine ou plus, soutirer et jeter 7 ou 8 verres pour rafraîchir l'approvisionnement du réservoir.

FONCTIONNEMENT DU DISTRIBUTEUR DE GLAÇONS

Le bac à glaçons et la machine à glaçons sont situés dans le compartiment congélateur, en haut et à gauche. Après l'installation du réfrigérateur et son refroidissement pendant plusieurs heures, la machine à glaçons peut commencer à fabriquer des glaçons. Pour commencer la production de glaçons, baisser la manette à la position «basse» ou «ON» (MARCHE). Au fur et à mesure de la production des glaçons, ils sont stockés dans le bac à glaçons. Sans utilisation, il faille deux jours pour remplir ce bac. Toutefois, le distributeur peut être utilisé après la production du premier lot de glaçons. La machine à glaçons s'arrête automatiquement lorsque le bac est plein.

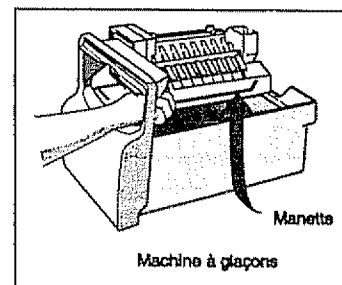
En raison des nouveaux raccords de tuyauterie, la première production de glaçons peut être décolorée ou avoir un goût désagréable. Jeter ces glaçons jusqu'à ce qu'ils soient sans couleur et sans arrière-goût.

⚠ MISE EN GARDE La qualité de l'eau détermine la qualité des glaçons. Il est préférable de ne pas utiliser l'eau traitée (adoucie). Les produits chimiques contenus dans un conditionneur d'eau qui ne fonctionne pas correctement peuvent endommager la machine à glaçons. Si la machine à glaçons est reliée à un conditionneur, s'assurer que ce dernier est en bon état et qu'il fonctionne correctement.



FRANÇAIS

Pour arrêter la machine à glaçons, lever la manette jusqu'à ce qu'un déclic se fasse entendre et qu'elle se verrouille en position «haute» ou «OFF» (ARRÊT).



FONCTION VERROUILLAGE (MODÈLES À CLAVIER TACTILE)

Votre distributeur d'eau et de glaçons peut être verrouillé afin de prévenir toute utilisation non désirée. Pour ce faire, appuyer sur le pictogramme représentant le cadenas durant 3 à 5 secondes. Une fois le système verrouillé, un petit voyant rouge s'allumera au-dessus du cadenas. Pour déverrouiller le système, appuyer de nouveau sur le cadenas durant 3 à 5 secondes, jusqu'à ce que le voyant s'éteigne. Votre distributeur peut maintenant être utilisé de nouveau.

CONSEILS POUR LE DISTRIBUTEUR DE GLAÇONS

1. Les glaçons conservés trop longtemps peuvent développer un goût douteux. Vider le bac et le remettre en place. La machine à glaçons va alors produire d'autres glaçons.
2. Secouer de temps en temps le bac pour séparer les glaçons.
3. Si le levier est poussé pendant plus de 4 minutes, le moteur peut être surchargé et s'arrêter. Le protecteur de surcharge se rétablira automatiquement après 3 ou 4 minutes. Si une grande quantité de glaçons est nécessaire à un moment donné, il est préférable de les enlever directement du bac.
4. Certains bruits de fonctionnement sont normaux. Ils sont créés par:

- Le fonctionnement du moteur
- Les glaçons qui se décollent du moule
- Les glaçons qui tombent dans le bac
- L'eau qui coule
- La soupape d'arrivée d'eau qui s'ouvre et se ferme.

Pour obtenir plus de renseignements sur le fonctionnement, vous reporter à la page Bruits normaux.

5. Arrêter la machine à glaçons lorsque vous nettoyez le congélateur ou pour de longues vacances.
6. Lorsque la machine à glaçons est arrêtée pour une longue période, fermer la soupape d'arrivée d'eau.

NETTOYAGE DU DISTRIBUTEUR DE GLAÇONS

Nettoyer le bac à glaçons et le distributeur à intervalles réguliers, surtout avant les congés ou un déménagement ou si le distributeur ne fonctionne pas très bien.

1. Arrêter la production de glace en relevant la manette à la position «haute» ou «OFF» (ARRÊT).
2. Enlever le bac en le soulevant pour le sortir. Vider et nettoyer à fond le bac avec un détergent **doux**. Ne pas tremper complètement le bac dans l'eau pour le nettoyer. Le rincer à l'eau claire. Ne pas utiliser de nettoyant abrasif ou puissant. Laisser le bac sécher complètement avant de le remettre dans le congélateur.
3. Enlever les petits bouts de glace et nettoyer la clayette et la goulotte qui retient le bac à glaçons.
4. Remettre le bac en place. Baisser la manette sur la machine à glaçons à la position «basse» ou «ON» (MARCHE) et la machine à glaçons se remet à produire des glaçons.

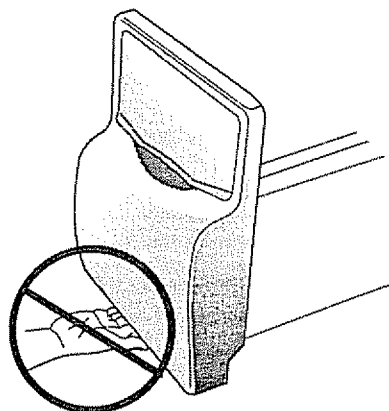
IMPORTANT: Pour enlever ou remettre en place le bac à glaçons, ne pas faire tourner la vis dans le bac. Si cela arrive, réaligner la vis en la tournant de 90° jusqu'à ce que le bac se mette bien en place avec le mécanisme d'entraînement. Pour de plus amples détails, lire l'étiquette sur le bac à glaçons.

Enlever et vider le bac à glaçons si:

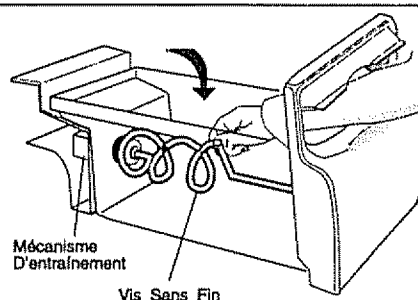
1. Une panne de courant prolongée (une heure ou plus) fait fondre les glaçons et les recongèle ensemble en bloquant le mécanisme du distributeur.
2. Le distributeur n'est pas utilisé fréquemment. Les glaçons s'agglutinent ensemble dans le bac et bloquent le mécanisme. Enlever le bac et le secouer pour décoller les glaçons.

NE JAMAIS utiliser de pic à glace ou autre instrument pointu pour séparer les glaçons. Ceci pourrait endommager le bac et le mécanisme.

AVERTISSEMENT Ne pas utiliser la goulotte comme une poignée pour enlever ou remettre en place le bac à glaçons. Les surfaces risquent d'être coupantes.



Ne Pas Mettre Pas Les Doigts Dans La Goulotte. Les Surfaces Peuvent être Coupantes.



Mécanisme D'entraînement

Vis Sans Fin

Remise en place de la vis sans fin

FILTRE A GLAÇONS ET A EAU *KENMORE* (CERTAINS MODELES)

NOTA: Si votre réfrigérateur ont d'un système de filtration à glaçons et à eau *Kenmore*, lire toutes ces informations d'utilisation et d'entretien.

Ce système de filtration purifie l'eau de votre machine à glaçons et de votre distributeur d'eau. Il est situé dans le coin supérieur arrière droit du compartiment d'aliments frais (voir Figure 1 à la page suivante).

DÉMARRAGE DU SYSTÈME :

Il n'est pas nécessaire de fermer l'alimentation en eau, cependant, n'utilisez pas les distributeurs à eau et à glaçons lors de l'installation du filtre. Reportez-vous à la Figure 1 lors de l'exécution de ces instructions. La cartouche de filtre à eau aura déjà été installée en usine dans le carter de filtre. Reportez-vous à la section "Comment fonctionne le distributeur" pour remplir le système correctement avec de l'eau.

REPLACEMENT DU FILTRE:

La qualité de l'eau n'est pas la même partout dans le monde. Pour assurer la meilleure qualité d'eau possible, changez le filtre tous les 6 mois ou 200 gallons. De même, si le filtre se trouve dans un réfrigérateur qui n'a pas été utilisé pendant quelque temps (lors d'un déménagement par exemple), changez le filtre avant de réinstaller le réfrigérateur. Veuillez prendre note que le système de distribution peut également fonctionner sans filtre (sans la cartouche du filtre).

POUR CHANGER LE FILTRE:

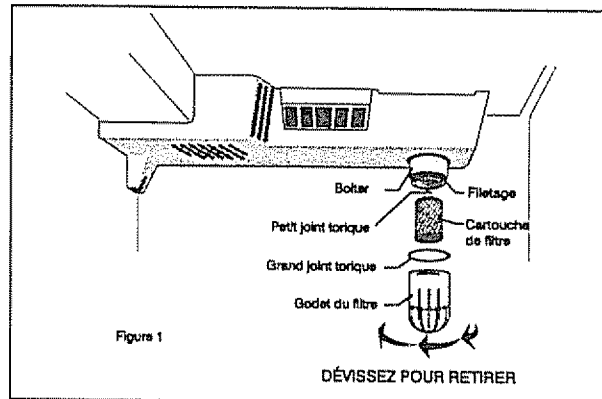
Reportez-vous à la Figure 1 au besoin. Il n'est pas nécessaire d'arrêter l'alimentation en eau pour changer le filtre.

1. Réglez le levier (levier de commande en broche) de la machine à glaçons à la position OFF.
2. Tenez le godet du filtre d'une main ferme, et dévissez-le dans le sens inverse des aiguilles d'une montre. (Figure 1). (Un peu d'eau peut couler lorsque vous enlevez le godet. Ceci est normal.) Les cartouches de filtre viennent avec la coupelle. Si elle demeure dans le boîtier, tirez doucement vers le bas en tournant le filtre dans une direction et dans l'autre.
3. Enlevez toute substance qui se trouve dans le godet.
4. Le gros joint torique (Figure 1) qui rend système de filtre étanche, se place dans la gorge du joint torique à l'intérieur de la coupelle. Si le joint torique tombe pendant le remplacement de la cartouche de filtre, remettez le simplement dans la gorge avant de revisser la coupelle en place. Si le joint torique est abîmé, vous avez besoin d'en commander un autre auprès du centre de service client.
5. Jetez la vieille cartouche de filtre.
6. Retirez le nouveau filtre de l'emballage, et installez-le.
7. Placez la cartouche du filtre dans le godet. L'extrémité sur laquelle figure le petit joint doit se tourner vers le haut, en dehors du godet.
8. Revissez à nouveau le godet dans le boîtier du filtre. **NE VOUS SERVEZ PAS DE LA CLE POUR REINSTALLER LE GODET.** La cartouche du filtre s'alignera d'elle-même lorsque le godet sera bien vissé. Veillez à ce que le godet soit bien inséré, et que le Logo *Kenmore* soit face à vous. **NE SERREZ PAS OUTRE LE CRAN D'ARRÊT.**

9. Réglez le levier de la machine à glaçons à la position ON (vers le bas).
10. Vérifiez s'il y a des fuites. Ouvrez la porte du réfrigérateur. Essuyez toute goutte d'eau sur le godet. Faites couler un verre d'eau. S'il y a une fuite, dévissez le godet du filtre, et réinsérez la cartouche du filtre. Vérifiez le positionnement du grand joint torique (voir Figure 1). Réinstallez le godet du filtre, assurez-vous qu'il est serré à fond.
11. Pour démarrer le système de filtrage et purger l'air de la ligne d'eau, faites couler plusieurs verres d'eau du distributeur d'eau. Ceci assure également que la meilleure eau possible se trouve dans le réservoir d'eau.

REMISE À ZÉRO DE L'INDICATEUR DU FILTRE

L'indicateur "Change Filter" s'allume à chaque utilisation du distributeur. Lorsque le filtre fonctionne toujours à l'intérieur de son cycle de vie, le voyant indicateur est vert. Une fois le filtre utilisé à environ 80 % de sa durée de vie, le voyant devient ambre. Il est alors recommandé d'acheter une cartouche filtrante de rechange. Lorsque le filtre a complètement épuisé sa durée utile, l'indicateur devient rouge. Remplacer alors le filtre le plus tôt possible. Après le remplacement de la cartouche filtrante, appuyer sur le bouton "Filter Light Reset". Si le voyant est rouge ou ambre, appuyer sur le bouton durant 3 à 5 secondes pour faire passer le voyant au vert (le voyant vert clignote une fois la remise à zéro complétée). Si le voyant est toujours vert, appuyer durant 10 à 12 secondes pour remettre à zéro (là aussi, le voyant vert clignote une fois la remise à zéro complétée).



Des cartouches filtrantes de rechange peuvent être obtenues chez votre détaillant Sears. Vous pouvez aussi vous adresser au Centre de Service Sears au :

1-800-366-7278 (États Unis & Canada)

Nous vous suggérons de commander des filtres dès la première fois que vous installez votre réfrigérateur. Pensez à demander une cartouche de remplacement RC-200 *Kenmore* (Pièce de rechange n° 9066).

Le système de filtre à eau et glace est testé et certifié par NSF International, l'organisation d'accréditation reconnue et respectée au niveau national, à but non lucratif pour la sécurité de santé publique. Le système est testé et certifié selon les normes 42 et 53 ANSI/NSF. Reportez-vous à la fiche technique de performance pour les réclamations spécifiques. Ce système ne devra pas être utilisé avec de l'eau qui est microbiologiquement dangereuse ou avec de l'eau de qualité inconnue à moins que l'eau n'ait été adéquatement désinfectée avant ou après son passage dans un système de filtration.

Débit d'utilisation nominal : 0.37 GPM
Pression nominale maximale : 125 PSI
Température maximale en service : 100°



ENTRETIEN ET NETTOYAGE

Gardez propres les compartiments réfrigérateur et congélateur afin d'éviter la formation de mauvaises odeurs. Essayez immédiatement toute éclaboussure et nettoyez les deux compartiments au moins deux fois par an. N'utilisez **jamais** de tampons à récurer métalliques, de brosses, de nettoyeurs abrasifs ou de solutions alcalines fortes pour nettoyer votre réfrigérateur. **Ne lavez aucune** des pièces amovibles dans le lave-vaisselle.

Débranchez toujours le cordon d'alimentation de la prise murale avant de nettoyer.

REMARQUE: En tournant la commande sur «OFF» (ARRÊT), vous ne coupez pas l'alimentation électrique des commandes, de l'ampoule ou des autres composants électriques.

ATTENTION Les objets humides collent aux surfaces froides. Ne touchez pas les surfaces froides du réfrigérateur avec les mains humides.

NETTOYAGE DE L'INTÉRIEUR

Nettoyez les surfaces à l'intérieur des compartiments réfrigérateur et congélateur avec une solution composée de 2 cuillères à soupe de bicarbonate de soude dans un litre d'eau tiède. Rincez et séchez soigneusement. *Essorez bien l'eau de l'éponge ou du chiffon avant de nettoyer autour des commandes, de l'ampoule ou de toute pièce électrique.*

Lavez les pièces amovibles comme clayettes et bacs avec une solution à base de bicarbonate de soude ou d'eau tiède et de détergent doux. **N'UTILISEZ PAS D'ABRASIF AGRESSIF SUR CES SURFACES.** Rincez et séchez soigneusement. Nettoyez le joint des portes avec de l'eau savonneuse, rincez à l'eau claire et essuyez. Pour enlever les étiquettes adhésives, ne vous servez pas de lame de rasoir ou autre instrument tranchant risquant de rayer la surface. Enlevez la colle restante du ruban ou de l'étiquette sur l'énergie avec un mélange d'eau tiède et de détergent doux, ou avec le côté collant du ruban ou de l'étiquette enlevée. **N'ENLEVEZ PAS LA PLAQUE SIGNALÉTIQUE.**

ATTENTION Pour ne pas endommager le réfrigérateur et assurer un fonctionnement aussi efficace que possible, nettoyez régulièrement le condenseur.

NETTOYAGE DE L'EXTÉRIEUR

Nettoyez la caisse et les poignées avec de l'eau tiède et un détergent liquide doux. Rincez bien et séchez avec un chiffon doux. Ne pas utiliser de produits de nettoyage du commerce, d'ammoniaque ou d'alcool pour nettoyer les poignées.

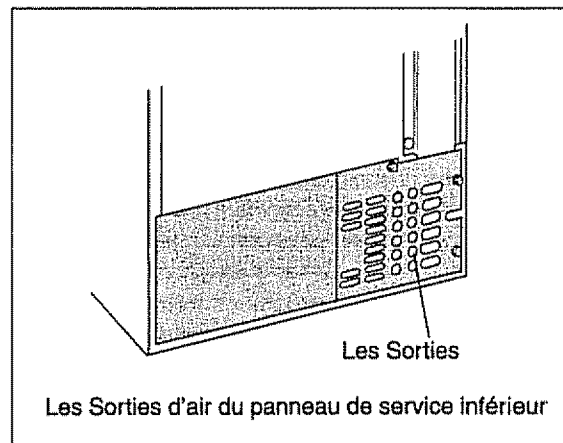
Nettoyez toute surface et les poignées en acier inoxydable (certains modèles) avec de l'eau chaude saponifiée et un linge à vaisselles. Rincez avec de l'eau propre et un chiffon doux. Essuyez les taches rebelles avec un essuie-tout imbibé d'ammoniaque et rincez.

Les produits de nettoyages fabriqués spécifiquement pour l'acier inoxydable tels que Sheila sine, marque de commerce de Sheila Shine, Stainless Steel Magic, marque de commerce de Magic America Corp. ou tout produit semblable peuvent aussi être utilisés. Il faut toujours suivre les instructions du fabricant. Lavez le reste des surfaces de l'appareil avec de l'eau chaude et un détergent liquide doux. Rincez bien et essuyez avec un chiffon propre.

Enlever la poussière ou saleté de l'avant de la grille de protection à l'aide d'un aspirateur et de son accessoire de dépoussiérage. Enlever la grille en la tirant droit vers vous. Lorsqu'elle est enlevée, passer à l'aspirateur l'arrière de la grille et essuyer avec une éponge ou un linge savonneux. Nettoyer de temps à autre le condenseur (fils et tubes noirs sous le réfrigérateur, derrière la grille de protection). Ne pas laisser la poussière ou la charpie s'accumuler sur les serpentins. Les enlever à l'aide d'une brosse à manche long ou de l'accessoire de l'aspirateur que vous passerez entre deux serpentins. Pour remettre la grille, aligner les attaches avec les trous et repousser la grille en place.

ATTENTION Soir prudent pour nettoyer les serpentins. Les surfaces risquent d'être coupantes.

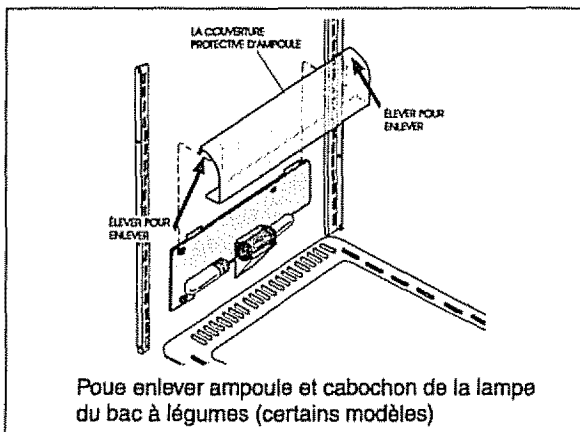
Les sorties d'air du panneau de service inférieur à l'arrière du réfrigérateur doivent être nettoyées régulièrement. Les nettoyer à l'aide d'un aspirateur et de son accessoire de dépoussiérage. Pour déplacer le réfrigérateur, le tirer droit vers vous, et non par à-coups d'un côté ou de l'autre risquant de déchirer ou de déformer le revêtement du sol. Ne pas tirer le réfrigérateur au-delà des raccords de tuyauterie.



REPLACEMENT DE L'AMPOULE

Pour remplacer l'ampoule dans l'un ou l'autre des compartiments:

1. Débranchez le réfrigérateur.
2. Portez des gants pour vous protéger au cas où l'ampoule se briserait.
3. Remplacez l'ampoule par une autre de même puissance, pour appareil électro-ménager.
4. Branchez le réfrigérateur.



CONSEILS DE VACANCES ET DÉMÉNAGEMENT

Courtes vacances: Laissez le réfrigérateur fonctionner pendant des congés de 3 semaines ou moins. Avant de partir, utilisez toutes les denrées périssables du compartiment réfrigérateur. Enveloppez et rangez les autres denrées dans le congélateur. Arrêtez la machine à glaçons, même si vous ne partez que quelques jours.

Longues vacances: Enlevez tous les aliments et la glace si vous partez un mois ou plus. Tournez la commande sur <<OFF>> (ARRÊT) et débranchez le réfrigérateur. Arrêtez la machine à glaçons et tournez la soupape d'eau à la position fermée. Dégivrez et nettoyez l'intérieur à fond. Laissez les deux portes ouvertes pour éviter odeurs et moisissures. Au besoin, bloquez les portes pour qu'elles restent ouvertes.

Déménagement: Suivez ces consignes pour éviter tout dommage:

- Enlevez toute la nourriture et autres articles des deux compartiments. Videz le bac à glaçons. Dégivrez et nettoyez l'intérieur à fond.
- Si vous utilisez un diable, chargez le réfrigérateur par le côté.
- Remontez aussi haut que possible les dispositifs vissables ou les roulettes avant (certains modèles) pour les protéger.
- La caisse doit être bien protégée et manipulée avec soin. **NE LA LAISSEZ PAS TOMBER.**

IMPORTANT

Une fois que votre système de distribution d'eau et de glace du réfrigérateur a été rempli avec de l'eau, il est important que le réfrigérateur reste dans un environnement dont la température est au-dessus de zéro.

Si le réfrigérateur doit être stocké dans un environnement dont la température descendra en dessous de zéro ou sera sujet à des températures en dessous de zéro pendant un déménagement, l'eau dans le système d'eau et de glace doit être complètement vidée. Ne pas faire cela peut endommager le système d'eau et de glace. Ces dégâts peuvent donner des fuites d'eau lors de la remise en route du réfrigérateur.

Il est conseillé de contacter un représentant de service pour exécuter cette opération.

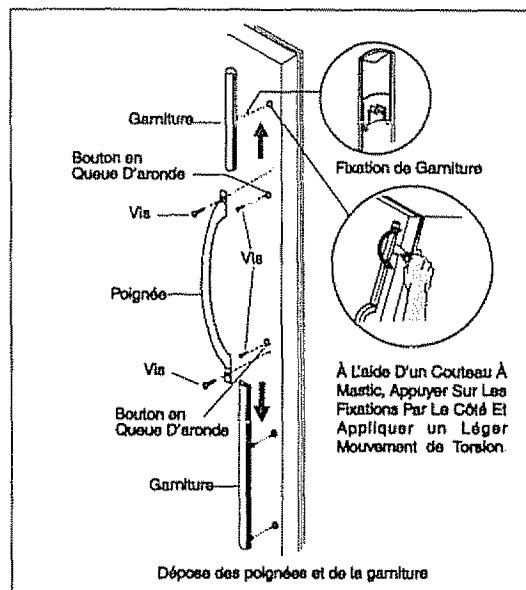
DÉPOSE DES POIGNÉES ET DES PORTES

S'il faut déplacer le réfrigérateur par des couloirs étroits, suivre ces instructions pour enlever portes ou poignées du réfrigérateur ou du congélateur.

Pour enlever les poignées

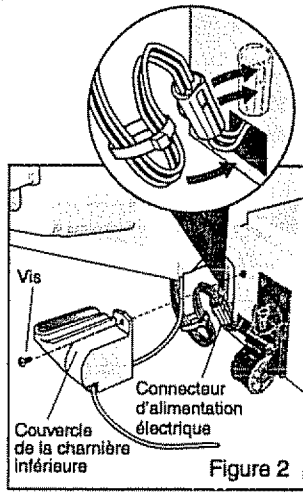
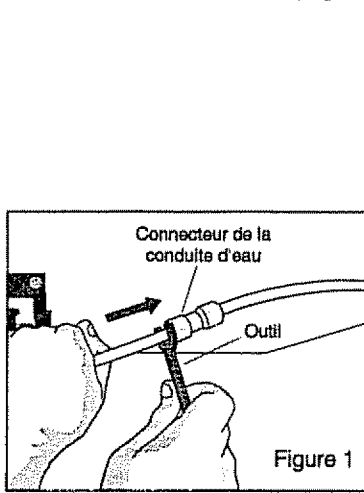
Garniture pleine-longueur

1. À l'aide d'un couteau à mastic, faire coulisser soigneusement le coin de la lame sous la garniture, jusqu'à la fixation de garniture. Placer soigneusement la lame contre la fixation, **par le côté**, tel qu'il est illustré. *Remarque:* Si vous appuyez sur la fixation de garniture par le dessus, vous ne pourrez pas l'enlever.
2. Pousser doucement le couteau à mastic contre la fixation de garniture et effectuer un léger mouvement de torsion. La fixation va sortir de la porte. (La garniture inférieure possède deux attaches de garniture.)
3. Saisir la garniture et la sortir de la poignée en effectuant un léger mouvement d'un côté à un autre.
4. Enlever les vis fixant la poignée à la porte.
5. Répéter ces opérations pour chacune des extrémités de poignée. Conserver vis et garnitures.
6. Glissez la poignée vers le haut et dégagez-la des boutons en queue d'aronde.
7. Pour remettre en place les poignées, aligner les poignées avec les trous de vis, introduiser les vis et serrer. Coulisser les garnitures supérieure et inférieure aux extrémités des poignées et insérer les fixations par les trous sur le devant de la porte.

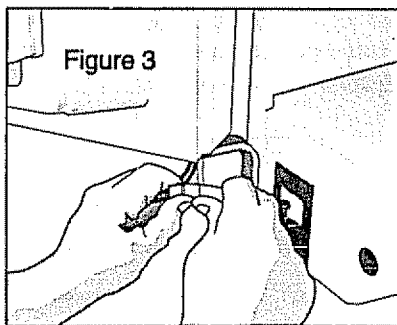


PORTE DU CONGÉLATEUR :

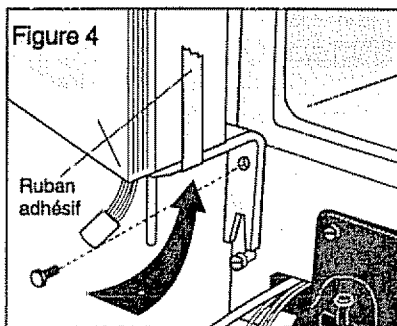
1. Retirer le grillage inférieur (voir la rubrique « Extérieur » dans la section intitulée *Entretien et nettoyage*).
2. Pour débrancher la conduite d'eau, saisir le tuyau fermement de la main gauche et utiliser l'outil (rangé dans le sac sous le grillage inférieur) pour enfoncer le collet gris de façon à libérer le connecteur d'eau (Figure 1).



3. Retirer la vis pour détacher le couvercle de la charnière inférieure (Figure 2).
4. Pour débrancher le connecteur d'alimentation électrique, placer les pouces sur les côtés plats des deux pièces du connecteur. Plier les deux pièces d'avant en arrière. Puis d'un mouvement ferme, tirer sur les deux pièces comme montré pour les détacher (Figure 3).



5. Placer une bande de ruban adhésif le long du bas de la porte, par-dessus la charnière inférieure et sur le côté de la porte en montant. Cela maintiendra la charnière en place une fois la porte démontée (Figure 4).



6. Desserrer, mais **NE PAS RETIRER**, le boulon inférieur de la charnière inférieure. Retirer le boulon supérieur de la charnière inférieure (Figure 4).
7. Retirer le couvercle de la charnière supérieure en soulevant l'arrière du couvercle et en le glissant vers l'avant. Retirer les vis qui fixent la charnière au boîtier. Tenir la charnière en démontant la dernière vis; le mécanisme de fermeture de la porte exerce une légère tension sur la charnière. **NE PAS** retirer la charnière de la porte.
8. Soulever délicatement la porte pour la dégager du boulon de la charnière inférieure desserré précédemment (Figure 4).

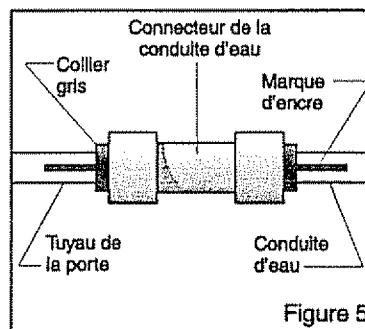
PORTE DU RÉFRIGÉRATEUR :

1. Retirer le couvercle de la charnière supérieure en soulevant l'arrière du couvercle et en le glissant vers l'avant. Retirer les vis qui fixent la charnière au boîtier. Tenir la charnière en démontant la dernière vis; le mécanisme de fermeture de la porte exerce une légère tension sur la charnière. **NE PAS** retirer la charnière de la porte.
2. Desserrer, mais **NE PAS RETIRER**, le boulon inférieur de la charnière inférieure. Retirer le boulon supérieur de la charnière inférieure.
3. Soulever délicatement la porte pour la dégager du boulon de la charnière inférieure desserré précédemment.

Ranger les portes dans un endroit sécuritaire en attendant que le réfrigérateur soit déménagé vers l'endroit désiré. Conserver toutes les pièces de fixation pour les réinstaller.

POUR REMONTER LA PORTE DU CONGÉLATEUR :

1. Positionner la porte sur l'appareil et serrer les vis.
2. Rebrancher le connecteur d'alimentation électrique en s'assurant qu'il est barré. Replier les fils comme montré et les torsader (Figure 2). Insérer le tuyau dans le trou du couvercle. **Positionner le couvercle sur les fils sans pincer les fils.** Poser la vis pour fixer le couvercle.
3. **IMPORTANT :** Pour réinstaller le connecteur de conduite d'eau, enfoncer fermement le tuyau de la porte dans le connecteur jusqu'à ce que le connecteur touche à la marque noire sur le tuyau et s'immobilise (Figure 5). Cette étape est essentielle pour assurer l'étanchéité de la conduite d'eau.



POUR REMONTER LA PORTE DU RÉFRIGÉRATEUR

Pour réinstaller la porte du réfrigérateur, reprendre dans l'ordre inverse les étapes de démontage.

LISTE DE CONTRÔLE ANTI-PANNE		Avant d'appeler un agent de service, consulter cette liste. Vous pourriez économiser temps et argent. Cette liste décrit les situations courantes qui ne sont causées ni par un défaut de fabrication ni par un matériau défectueux.	
PROBLEME	CAUSE	SOLUTION	
FONCTIONNEMENT DU REFRIGERATEUR			
Le compresseur du réfrigérateur ne marche pas.	<ul style="list-style-type: none"> • La commande de température est sur <<OFF>> (ARRÊT). • Le réfrigérateur est en mode dégivrage. • La fiche de la prise murale est débranchée. • La fusible ou le coupe-circuit a sauté ou s'est déclenché. • Panne de courant. 	<ul style="list-style-type: none"> • La Régler. Voir Réglage des commandes. • Ceci est normal avec un réfrigérateur à dégivrage entièrement automatique. Le mode dégivrage survient à intervalle régulier et dure environ 20 minutes. • Vous assurer qu'elle est bien enfoncée dans la prise. • Vérifier et/ou remplacer le fusible par un fusible de 15 A à action différée. Réenclencher le coupe-circuit. • Vérifier les lumières de la maison. Appeler la compagnie d'électricité de votre région. 	
Le réfrigérateur fonctionne trop souvent ou trop longtemps.	<ul style="list-style-type: none"> • Il fait chaud à l'intérieur ou à l'extérieur de la maison. • Le réfrigérateur a récemment été débranché, et ce, pendant un certain temps. • La machine à glaçons est en marche. • Les portes sont ouvertes trop souvent ou trop longtemps. • La porte du réfrigérateur ou celle du congélateur est peut-être légèrement ouverte. • La commande du réfrigérateur (dans le compartiment réfrigérateur) est à un réglage trop froid. • Le joint du réfrigérateur ou du congélateur est sale, usé, fendillé ou mal ajusté. 	<ul style="list-style-type: none"> • Il est normal que le réfrigérateur fonctionne plus longtemps. • Il faut environ 8-12 heures au réfrigérateur pour refroidir complètement. • Ceci entraîne un surcroît de fonctionnement du réfrigérateur. • De l'air chaud rentre dans le réfrigérateur. Ouvrir les portes moins souvent. • Vous assurer que le réfrigérateur est de niveau. Empêcher nourriture et récipients de bloquer les portes. Voir OUVERTURE/FERMETURE DES PORTES ET DU BAC. • La régler sur plus chaud jusqu'à ce que la température du réfrigérateur soit satisfaisante. Attendre 24 heures que la température se stabilise. • Nettoyer ou changer de joint. Des fuites dans le joint entraînent un fonctionnement plus long du réfrigérateur pour maintenir les températures voulues. 	
Le compresseur du réfrigérateur se met en marche et s'arrête souvent.	<ul style="list-style-type: none"> • Le thermostat maintient le réfrigérateur à une température à une température constante. 	<ul style="list-style-type: none"> • Ceci est normal. Le réfrigérateur se met en marche et s'arrête pour maintenir la même température. 	
LES TEMPERATURES SONT TROP BASSES			
La température du congélateur est trop basse et celle du réfrigérateur est satisfaisante.	<ul style="list-style-type: none"> • La commande du congélateur est à un réglage trop froid. 	<ul style="list-style-type: none"> • Le régler sur plus chaud jusqu'à obtention de la bonne température du congélateur. Attendre 24 heures que les températures se stabilisent. Puis, si la température de réfrigérateur ne convient pas, régler la commande du réfrigérateur sur plus froid. 	
La température du réfrigérateur est trop basse et celle du congélateur est satisfaisante.	<ul style="list-style-type: none"> • La commande du réfrigérateur est à un réglage trop froid. 	<ul style="list-style-type: none"> • La régler sur plus chaud. Attendre 24 heures que les températures se stabilisent. 	
La nourriture placée dans le bac congèle.	<ul style="list-style-type: none"> • La commande du réfrigérateur est à un réglage trop froid. 	<ul style="list-style-type: none"> • Voir ci-dessus. 	
La nourriture du garde-viande (certains modèles) congèle.	<ul style="list-style-type: none"> • La viande doit être conservée à une température juste inférieure au point de congélation de l'eau 0° (32°) pour assurer une conservation maximale. 	<ul style="list-style-type: none"> • Il est normal que des cristaux de glace se forment par suite de la présence d'eau dans la viande. 	

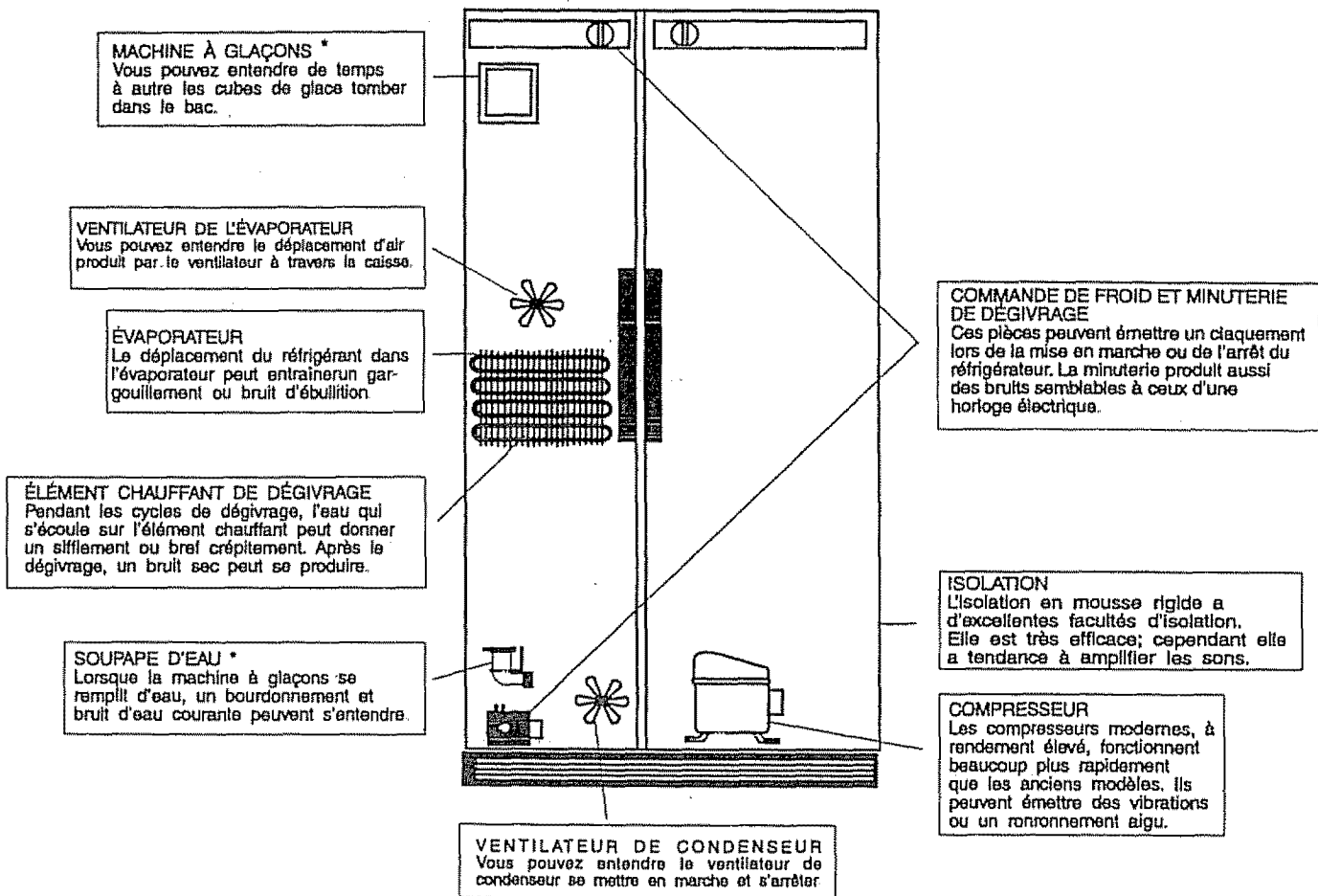
FRANÇAIS

PROBLEME	CAUSE	SOLUTION
LES TEMPERATURES SONT TROP ELEVEES		
La température du congélateur ou du réfrigérateur est trop élevée.	<ul style="list-style-type: none"> • Les portes sont ouvertes trop souvent ou trop longtemps. • Les portes sont légèrement ouvertes. • Le condenseur est sale. 	<ul style="list-style-type: none"> • De l'air chaud pénètre dans le réfrigérateur/congélateur à chaque fois que les portes sont ouvertes. Ouvrir les portes moins souvent. • Voir OVERTURE/FERMETURE DES PORTES ET DU BAC. • Le nettoyer. Voir Nettoyage de l'extérieur, sous Entretien en nettoyage.
La température du congélateur est trop élevée.	<ul style="list-style-type: none"> • La commande du congélateur est à un réglage trop chaud. 	<ul style="list-style-type: none"> • La régler sur plus froid jusqu'à ce que la température du congélateur soit satisfaisante. Attendre 24 heures que les températures se stabilisent. Puis, si la température du réfrigérateur sur plus chaud.
La température du réfrigérateur est trop élevée et celle du congélateur est satisfaisante.	<ul style="list-style-type: none"> • La commande du réfrigérateur est à un réglage trop chaud. 	<ul style="list-style-type: none"> • La régler sur plus froid. Attendre 24 heures que les températures se stabilisent.
La température du garde-viande (certains modèles) est trop élevée.	<ul style="list-style-type: none"> • Commande d'air rafraîchi en position trop chaude. 	<ul style="list-style-type: none"> • Choisir un réglage plus froid.
EAU/HUMIDITE/GIVRE A L'INTERIEUR DU REFRIGERATEUR		
Formation d'humidité à l'intérieur des parois du réfrigérateur.	<ul style="list-style-type: none"> • Le temps est chaud et humide, ce qui augmente l'accumulation de givre et la condensation des parois intérieures. • La porte est légèrement ouverte • La porte est restée ouverte trop longtemps ou trop souvent. 	<ul style="list-style-type: none"> • Ceci est normal. • Voir OVERTURE/FERMETURE DES PORTES ET DU BAC. • Ouvrir la porte moins souvent.
De l'eau s'accumule sous le dessous du couvercle du bac.	<ul style="list-style-type: none"> • Les légumes contiennent et libèrent de l'humidité. 	<ul style="list-style-type: none"> • Il n'est pas rare de voir de la condensation sous le couvercle du bac.
De l'eau s'accumule au fond du bac.	<ul style="list-style-type: none"> • Les légumes et fruits lavés s'égouttent dans le bac. 	<ul style="list-style-type: none"> • Sécher les articles avant de les ranger dans le bac. Il est normal que de l'eau s'accumule dans le fond du bac.
EAU/HUMIDITE/GIVRE A L'EXTERIEUR DU REFRIGERATEUR		
Formation d'humidité à l'extérieur du réfrigérateur ou entre les portes.	<ul style="list-style-type: none"> • Le temps est humide. • La porte est légèrement ouverte, d'où rencontre de l'air froid venant de l'intérieur du réfrigérateur avec l'air chaud ambiant. 	<ul style="list-style-type: none"> • Ceci est normal. Lorsque l'humidité est basse, la condensation disparaît. • Voir OVERTURE/FERMETURE DES PORTES ET DU BAC.
MACHINE A GLAÇONS AUTOMATIQUE (certains modèles)		
La machine à glaçons ne produit aucun glaçon.	<ul style="list-style-type: none"> • La manette est en position <<haute>> (ARRET). • La soupape d'alimentation en eau de la maison n'est pas ouverte. • Le congélateur n'est pas assez froid. • Le robinet à évier du tuyau d'eau froide est bloqué ou gêne par des dépôts. • Vérifier si le distributeur d'eau fonctionne correctement. 	<ul style="list-style-type: none"> • Déplacer la manette en position <<basse>> (MARCHE) • L'ouvrir. • Voir LES TEMPERATURES SONT TROP ELEVEES. • Fermer l'alimentation en eau de la maison. Enlever, nettoyer ou remplacer le robinet à évier. • Dans le cas contraire, le filtre à eau Kenmore est bouché ou obstrué par des matières étrangères et doit être remplacé.

PROBLEME	CAUSE	SOLUTION
MACHINE A GLAÇONS AUTOMATIQUE L(suite)		
La machine à glaçons ne produit pas suffisamment de glaçons.	<ul style="list-style-type: none"> • La machine à glaçons produit moins de glaçons que normalement. • Le congélateur n'est pas assez froid • La soupape d'alimentation en eau de la maison n'est pas complètement ouverte. • Vérifier si le distributeur d'eau fonctionne au ralenti. 	<ul style="list-style-type: none"> • Elle doit produire environ 2-1/4 à 4 livres de glaçons en 24 heures. • Voir LES TEMPERATURES SONT TROP ELEVEES. • L'ouvrir. • Dans ce cas, remplacer la cartouche du filtre Kenmore.
La machine à glaçons fabrique des glaçons sans arrêt.	<ul style="list-style-type: none"> • La manette est retenue en position basse par un article dans le congélateur. 	<ul style="list-style-type: none"> • Retirer l'article et dégager la manette. Enlever tous glaçons congelés sur la manette.
La machine à glaçons ne sépare pas les glaçons.	<ul style="list-style-type: none"> • La consommation de glaçons est trop basse. • Si les cubes sont plus petits que la normale, ou creux, il est possible que le filtre Kenmore soit obstrué. 	<ul style="list-style-type: none"> • Retirer et remuer le bac pour séparer les glaçons les uns des autres. • Remplacer le filtre.
La glace a un goût et une odeur désagréables.	<ul style="list-style-type: none"> • La glace a pris mauvaises odeur et saveur des aliments rangés. • L'eau allant à la machine à glaçons a elle-même mauvais goût et odeur. 	<ul style="list-style-type: none"> • Recouvrir les aliments de façon étanche. Jeter les glaçons qui ont mauvais goût. La machine va produire de nouveaux glaçons. • Ajouter un filtre à la machine à glaçons. Consulter une compagnie de purification d'eau.
DISTRIBUTEUR DE GLAÇONS		
Le distributeur ne fournit pas de glaçons.	<ul style="list-style-type: none"> • Le bac est vide. • La température du congélateur est à un réglage trop chaud. • La soupape d'alimentation en eau de la maison n'est pas ouverte. • La porte du congélateur n'est pas fermée. • Le levier est resté maintenu pendant 4 à 5 minutes. 	<ul style="list-style-type: none"> • Lorsque la première production de glaçons tombe dans le bac, le distributeur devrait se mettre en marche. • Tourner la commande à un réglage plus élevé pour permettre la fabrication des glaçons. Lorsque la première production de glaçons est faite, le distributeur devrait se mettre en marche. • L'ouvrir et laisser le temps aux glaçons pour se former. Lorsqu'ils sont faits, le distributeur devrait se mettre en marche. • Vous assurer qu'elle est fermée. • Le moteur est surchargé. Le protecteur de surcharge du moteur se réenclenchera environ après 3 minutes. La glace pourra alors être fournie.
Le distributeur est bloqué.	<ul style="list-style-type: none"> • La glace a fondu et congelé autour de la vis sans fin par suite d'un usage peu fréquent, des fluctuations de température et/ou des pannes de courant. • Les glaçons se bloquent entre la manette de la machine à glaçons et l'arrière du bac. • Les glaçons sont congelés les uns aux autres. • Si les cubes sont plus petits que la normale, ou creux, il est possible que le filtre Kenmore soit obstrué. 	<ul style="list-style-type: none"> • Enlever le bac à glaçons, décongeler et vider le contenu. Nettoyer le bac, l'essuyer et le remettre en place. Lorsque de nouveaux glaçons sont fabriqués, le distributeur devrait se mettre en marche. • Enlever les glaçons qui bloquent le distributeur. • Utiliser le distributeur souvent pour que les glaçons ne se congèlent pas les uns avec les autres. • Remplacer le filtre. Le système de distribution fonctionne mieux à 30-120 psig de pression d'eau. La pression du système d'alimentation à partir d'un puits doit se situer dans cet intervalle.

PROBLEME	CAUSE	CORRECTION
DISTRIBUTEUR D'EAU		
Le distributeur ne fournit pas d'eau.	<ul style="list-style-type: none"> • La soupape d'arrivée d'eau de la maison n'est pas ouverte. • La porte du congélateur n'est pas fermée. • Le filtre Kenmore est obstrué. 	<ul style="list-style-type: none"> • Ouvrir la soupape d'alimentation en eau. . Voir le problème LA MACHINE A GLAÇONS NE PRODUIT AUCUN GLAÇON. • Vous assurer de la fermer. • Et doit être remplacé.
L'eau a un goût et/ou une odeur désagréables.	<ul style="list-style-type: none"> • L'eau est restée dans le réservoir pendant un certain temps. • L'appareil n'a pas été correctement branché à l'eau froide. • La conduite utilisée dans l'alimentation d'eau domestique et l'installation de l'appareil peuvent affecter l'odeur et la saveur d'eau. • La teneur en minéraux de l'eau est élevée. 	<ul style="list-style-type: none"> • Soutirer et jeter 7 à 8 verres d'eau pour rafraîchir l'alimentation. Soutirer et jeter 3 à 6 autres verres pour rincer complètement le réservoir. • Brancher l'appareil à la conduite d'eau froide qui amène l'eau au robinet de la cuisine. • Pour de meilleurs résultats, utiliser des conduites en cuivre pour le raccordement e l'eau. • Prener contact avec une usine de traitement de l'eau.
ODEURS DANS LE REFRIGERATEUR		
L'intérieur a besoin d'être nettoyé.	<ul style="list-style-type: none"> • L'intérieur a besoin d'être nettoyé. • Les aliments dégagant une odeur forte se trouvent dans le réfrigérateur. 	<ul style="list-style-type: none"> • Nettoyer avec une éponge, de l'eau tiède et du bicarbonate de soude. • Couvrir hermétiquement ces aliments.
OUVERTURE/FERMETURE DES PORTES ET DU BAC		
La(les) porte(s) ne se ferme(nt) pas.	<ul style="list-style-type: none"> • La porte n'est pas prévue pour se fermer automatiquement. • L'une des portes a été fermée trop brusquement, ce qui fait légèrement ouvrir l'autre. • Le réfrigérateur n'est pas de niveau. • Le plancher est irrégulier ou faible. • Le réfrigérateur touche le mur ou les armoires. 	<ul style="list-style-type: none"> • Fermer bien la porte. • Fermer doucement les deux portes • Il oscille lorsqu'on le bouge à peine. Vous assurer que le plancher est de niveau et peut supporter le réfrigérateur. Régler au besoin les roulettes. • Le réfrigérateur oscille sur le plancher lorsqu'on le bouge à peine. Vous assurer que le plancher est de niveau et peut supporter le réfrigérateur. Faire corriger le niveau du plancher. • Vous assurer que le plancher est de niveau et peut supporter le réfrigérateur. Faire corriger le niveau du plancher.
Le bac glisse difficilement.	<ul style="list-style-type: none"> • La nourriture touche le haut de bac. • Les glissières sont sales 	<ul style="list-style-type: none"> • Mettre moins d'aliments dans le bac. • Nettoyer bac et glissières.
L'ampoule ne s'allume pas	<ul style="list-style-type: none"> • L'ampoule est grillée. • L'interrupteur est bloqué. • Il n'y a pas de courant qui arrive au réfrigérateur. 	<ul style="list-style-type: none"> • Voir Remplacement de l'ampoule sous Entretien et nettoyage. • Celui-ci est situé sur le cadre intérieur de porte, près du de commande de la température. Appuyer pour le débloquer. • Voir FONCTIONNEMENT DU REFRIGERATEUR.
La pression d'eau est très basse.	<ul style="list-style-type: none"> • Demeander à quelqu'un d'ouvrir et de fermer la pression du système de la pompe à eau. 	<ul style="list-style-type: none"> • Demeander à quelqu'un d'ouvrir et de fermer la pression du systè de la pompe à eau.

Bruits normaux



* Seulement sur les modèles avec machine à glaçons automatique

SERVICE APRES-VENTE SEARS

"Nous réparons ce que nous vendons" est assurance sur laquelle vous pouvez compter chez Sears ... et le service après-vente Sears est offert dans tout le pays. Votre réfrigérateur est encore plus précieux lorsque vous considérez que Sears dispose d'établissements de service après-vente dans tout le pays, dotés de techniciens professionnels spécialement formés pour les appareils Sears et possédant pièces, outillage et équipement pour que nous puissions répondre à notre formule ... "Nous réparons ce que nous vendons".

CONTRAT D'ENTRETIEN SEARS

Maintenez la valeur de votre réfrigérateur *Kenmore®* avec un contrat d'entretien Sears. Les réfrigérateurs SEARS sont conçus, fabriqués et mis à l'essai pendant des années pour vous offrir un fonctionnement fiable. Cependant, comme tout appareil moderne, il peut de temps à autre avoir besoin de réparation.

Le contrat d'entretien Sears:

- Vous permet de bénéficier des réparations de demain au prix d'aujourd'hui.
- Supprime les factures de réparation résultant d'un usage normal.
- Vous permet de faire appel au technicien aussi souvent qu'il est nécessaire.
- Vous offre le service de techniciens professionnels formés par Sears.
- Vous propose un contrôle d'entretien préventif, sur demande.

Ce contrat d'entretien ne couvre pas l'installatin de départ, la réinstallation ou les dommages résultant de causes externes telles que actes indépendants de notre volonté, emploi abusif, vol, incendie, inondation, vent, foudre, gel, panne de courant, baisse de tension, etc. Veuillez demander à un vendeur de vous présenter le contrat pour prendre connaissance de toutes les conditions.

CLIENTS SEARS CANADA

Cher client,

Lors de la fabrication de ce produit, de nombreuses étapes ont été prises pour vous offrir la plus haute qualité. Malheureusement, il peut parfois se glisser des erreurs ou omissions. S'il arrivait qu'il manque une pièce ou qu'une pièce soit défectueuse, prenez contact avec le magasin Sears le plus proche de chez vous.

Si vous avez des suggestions qui pourraient nous aider à améliorer nos instructions de montage et de fonctionnement, ou ce produit lui-même, veuillez les écrire en notant les informations ci-dessous et les envoyer par la poste à:

Sears Canada, Inc. À l'attention de: Service acheteurs 646
222 Jarvis Street
Toronto, Ontario
M5B 2B8

Acheté par:

Nom: _____

Adresse: _____

Ville: _____ Province: _____

Code Postal: _____ N° DeTel.: _____

N° DeModèle: 970. _____

N° De Série: _____

Date De L'achat ____/____/____

Acheté À Quel Endroit: _____

Commentaires _____

**In U.S.A. or Canada
for in-home major brand repair service:
Call 24 hours a day, 7 days a week**

1-800-4-MY-HOMESM (1-800-469-4663)

Para pedir servicio de reparación a domicilio - 1-800-676-5811

Au Canada pour tout le service - 1-877-LE-FOYERSM (1-877-533-6937)

For the repair or replacement parts you need:

Call 6 a.m. - 11 p.m. CST, 7 days a week

PartsDirectSM

1-800-366-PART (1-800-366-7278)

www.sears.com/partsdirect

Para ordenar piezas con entrega a domicilio - 1-800-659-7084

For the location of a Sears Service Center in your area:

Call 24 hours a day, 7 days a week

1-800-488-1222

To purchase or inquire about a Sears Maintenance Agreement:

Call 7 a.m. - 5 p.m. CST, Monday - Saturday

1-800-827-6655

